

**Air Switch**

The Air Switch Button is used to cycle through the available modes of the Portapac. The Air Switch Button is sold separately and available in various profiles. A small selection is given below.

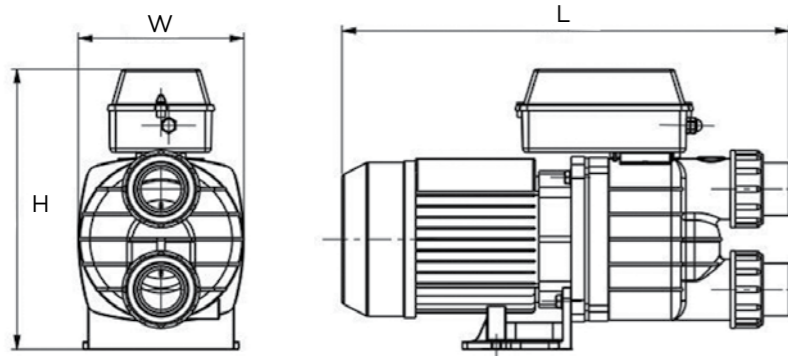


455102	Flush Button - White
ASF202	Air Button Low Profile - White
ASF218	Air Button Low Profile - Chrome A.B.S

**Technical Specifications**

Model	Max Amp	Pump HP	Pump Amps	Heater kW	Ancillary Max. kW	Operating Temp °C	No. Jets
Portapac Demand	10	1.0	3.6	1.6	1.2	20 - 40	4 - 6
Portapac Demand Elite	15	1.5	4.8	2.4	1.2	20 - 40	6 - 8
Delta Hot 75	10	0.75	3.6	1.6	N/A	40	5 - 6

**Dimension (mm)**



Model	Height (H)	Width (W)	Length (L)
Portapac Demand	289	170	460
Portapac Demand Elite	289	170	460
Delta Hot 75	260	185	475

**Warranty**

Portapac Spa Pool Pumps and Delta Hot Pumps are covered by a 2 year product and 1 year labour warranty.

**CONTACT WATERCO**

Waterco's head office is situated in Sydney, Australia with international offices, manufacturing plants and warehouses located in Australia, New Zealand, Malaysia, Indonesia, Singapore, China, the US, Canada, and the UK.

**OFFICES - AUSTRALIA**  
NSW - Sydney (Head Office)  
Tel: +61 2 9898 8600  
QLD - Brisbane  
Tel: +61 7 3299 9900  
VIC/TAS - Melbourne  
Tel: +61 3 9764 1211  
WA - Perth  
Tel: +61 8 9273 1900  
SA/NT - Adelaide  
Tel: +61 8 8244 6000  
ACT Distribution  
Tel: +61 2 6280 6476

**OFFICES - OVERSEAS**  
Waterco (Europe) Limited  
Sittingbourne, Kent, UK  
Tel: +44 (0) 1795 521 733  
Waterco (USA) Inc  
Augusta, Georgia, USA  
Tel: +1 706 793 7291  
Waterco Canada  
Boucherville, Quebec, Canada  
Tel: +1 450 748 1421  
Waterco (NZ) Limited  
Auckland, New Zealand  
Tel: +64 9 525 7570

Waterco (C) Limited  
Guangzhou, China  
Tel: +86 20 3222 2180  
Waterco (Far East) Sdn Bhd  
Selangor, Malaysia  
Tel: +60 3 6145 6000  
PT Waterco Indonesia  
Jakarta, Indonesia  
Tel: +62 21 4585 1481  
Waterco Singapore Int'l Pte Ltd  
Nehsons Building, Singapore  
Tel: +65 6344 2378

DISTRIBUTED BY:



ZZB0049 10/19



**2** YEAR WARRANTY

## Delta Hot Pumps

Ideal for spa baths, the Delta Hot Pump with built-in electric heating element combines high technology pump design with modern motors to produce a compact and efficient pump. Delta Hot Pumps can be easily installed in the tightest situation.

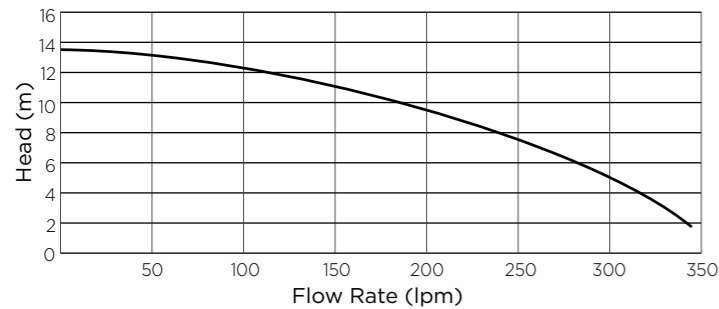
- Pipe unions, air switch and air relief valve supplied
- High performance motor:
  - IP44 rating
  - Motor shaft 303 grade stainless steel
  - Fan cooled
  - Thermal overload protection



## Portapac Spa Pool Pumps

Ideal for portable spa pools, Portapacs are centrifugal spa pool pumps with a built in electric heating element operated by an air switch. The Portapac heats and circulates water through the spa jets.

- Water temperature adjustment between 20° - 40°C.
- Ancillary blower outlet
- Auto mode maintains the spa set temperature ensuring the spa is ready anytime.
- High performance motor:
  - IP44 rating
  - Motor shaft 303 grade stainless steel
  - Fan cooled
  - Thermal overload protection

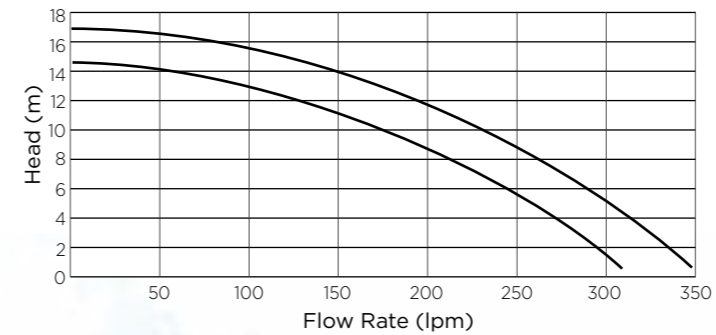


### Time To Heat - Delta Hot

Based on ideal heating with NO heat loss from the bath  
Heat Constant is the time taken to heat 100 litres by 1°C

Time = Heat Constant x spa size in litres x required temp rise / 100  
e.g. Time to heat a spa 900lts by 5°C with a Delta Hot 75  
Time = 4.4 x 900 x 5 / 100  
= 198 minutes

Note: Actual time to heat may be longer than calculated.



### Time To Heat - Portapac

Based on ideal heating with NO heat loss from the spa  
Heat Constant is the time taken to heat 100 litres by 1°C

Time = Heat Constant x spa size in litres x required temp rise / 100  
e.g. Time to heat a 1700lts spa by 5°C with a Demand Elite 15A  
Time = 2.9 x 1700 x 5 / 100  
= 246.5 minutes

Note: Actual time to heat may be longer than calculated.

