

BRITESTREAM LED NICHE LIGHT

Owners Manual



⚠ WARNING

This equipment must be installed and serviced by a qualified technician. Improper installation can create electrical hazards which could result in property damage, serious injury or death. Improper installation will void the warranty.



Note :

Installation instruction for Britestream Niche Light

For concrete pools and spas

The following Britestream Niche Light options are available:

- White Light with 12m cable: Code 264400
- White Light with 20m cable: Code 264401
- Blue Light with 12m cable: Code 264406
- Blue Light with 20m cable: Code 264407

For replacing existing light and upgrading to Britestream Niche Light, use the following replacement kits:

- White Light: Code 264403
- Blue Light: Code 264404

Your Britestream Niche Light will work with the following transformer (not included with Britestream):

- Transformer 40VA 12 Volts: Code 26506

Note: Only fit one light per transformer, each light must have its own transformer.

Warning

The Britestream should only be installed by a suitably skilled person.

The Britestream is a sealed unit. It does not contain any serviceable parts and should not be disassembled. Any attempt to disassemble, alter, modify or tamper with the unit will void the warranty.

Following points are to be observed to ensure a successful installation of your Britestream.

Positioning the Niche

The Britestream is to be installed no deeper than 500 mm below coping.

Secure the niche to the reinforcement steel with tie wires as shown in fig 1

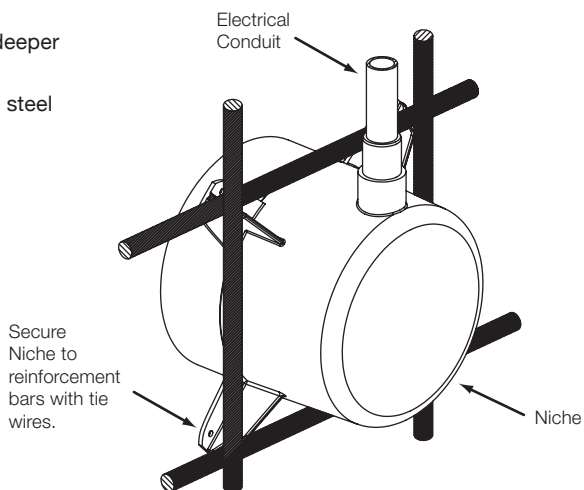


Fig 1

Make sure to leave enough space around the rear of the niche for concrete, otherwise leaking might occur at the thinner sections of concrete, refer to fig 2.

Glue electrical conduit to the niche socket. Either use 20mm conduit which will fit into the socket, or use 25mm conduit, the conduit socket end will fit the outside the niche socket. The conduit must terminate above water level.

The cable must be fitted simultaneously with the conduit being installed. Starting at the niche, thread the cable through the conduit to the transformer. Leave one metre of cable beyond the Niche (the end with terminals and gland mount), coil it up and store it inside the Niche until the Lens Niche is ready to be fitted. If the cable is not fitted with the conduit, alternatively a draw wire can be used.

If a junction box is not fitted, when continuing the conduit run make sure the conduit run is interrupted above water level (so it is not airtight), otherwise siphoning might occur.

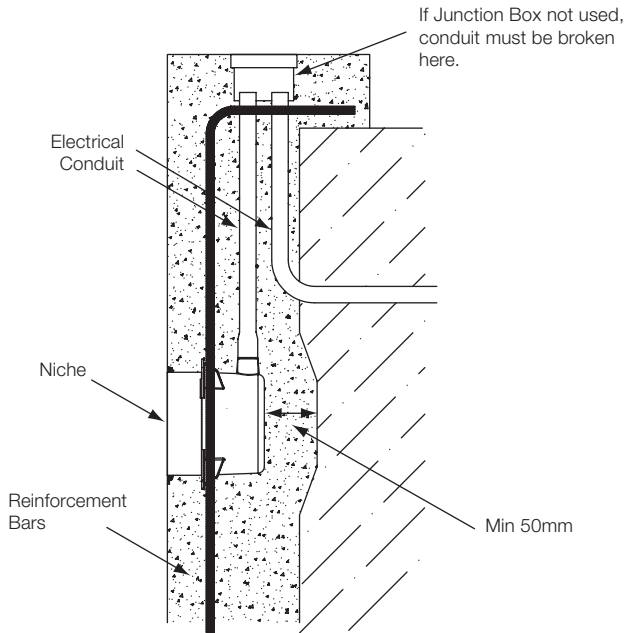


Fig 2

Spraying concrete

Make sure the styrene foam plug is fitted into the Niche prior to commencing spraying concrete.

When the concrete is being sprayed it is important to ensure the niche surface is fully covered all around and at the back. Any void or thin section of concrete increases the risk of leaking. Endeavour to make the concrete surface level with the Niche, it is preferable the Niche does not stand proud of the concrete surface.

Create an annular recess around the Niche before the concrete sets as shown in Fig 3.

Sealing

When the concrete has fully set the styrene foam plug can be removed. Inject a 2 part epoxy into the annular groove around the niche as shown in fig 3.

It may be necessary to trim the front of the niche to make it level with the concrete; do not trim too much off as there may not be enough space left for storing cable etc.

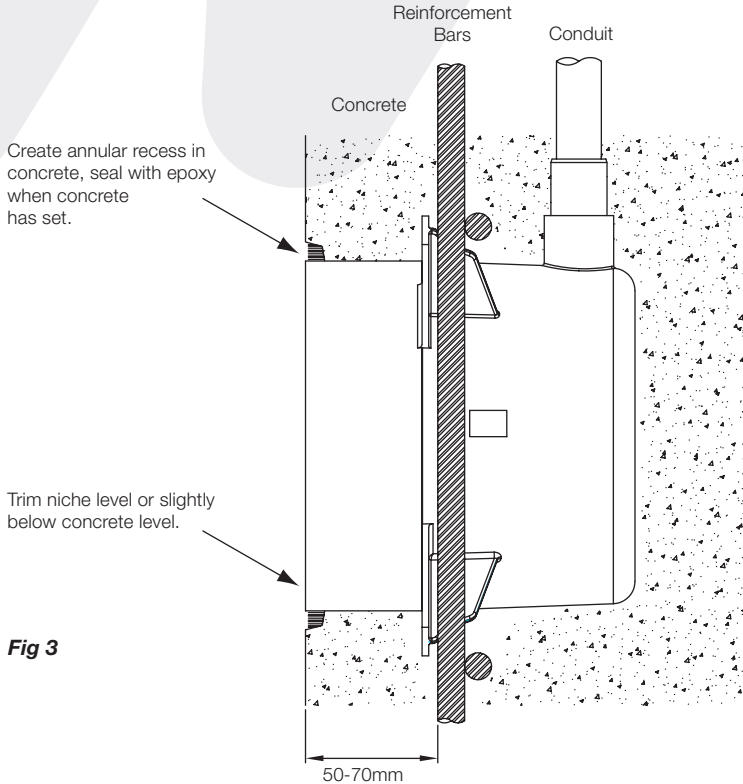


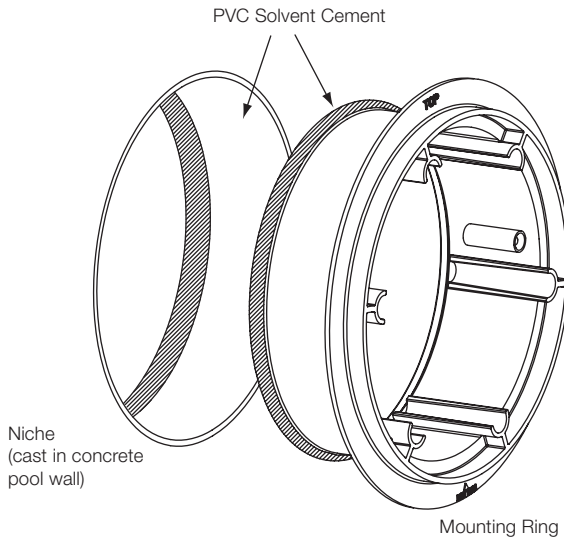
Fig 3

Fitting the Mounting Ring

Apply PVC solvent glue to the outside 'belt' of the Mounting Ring as well as to the inside of the Niche as shown in fig 4

With 'TOP' facing upwards, insert Mounting Ring into Niche and push fully in.

When rendering, bear in mind the finished tile surface is to be level with the front edge of the Mounting Ring.

**Fig 4**

Fitting the LED Light

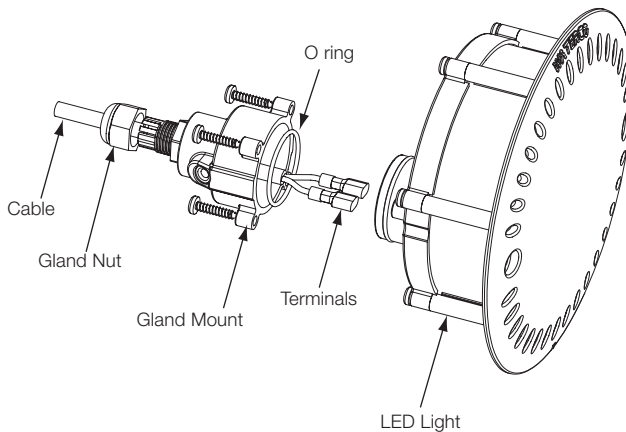
Gland nut should not be fully tightened at this stage. This will allow for adjustment of cable.

Connect female terminals to male connectors of rear cup of niche light, please refer to fig 5.

Squeeze natural lanoline from supplied bottle into rear cap and fill to top.

Secure gland mount with the 4 screws supplied to cup. Please ensure that o'rings are retained on cup and seal cap.

Fully tighten gland nut to ensure sealing of cable.

**Fig 5**

Fit LED Light into Niche (and Dress Rim if used) and secure by tightening the two screws as shown in fig 6.

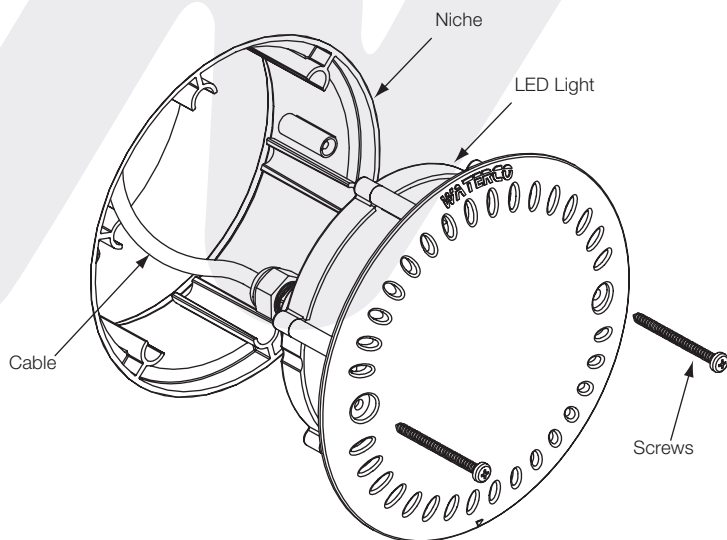


Fig 6

Installation instruction for Replacement Kit

The following kits are available:

- White Light: Code 264403
- Blue Light: Code 264404

This gland kit is supplied with two types of gland mounts, one to suit 4-8mm cable and one to suit 10 - 14mm cable. Choose the type which is suitable for your application.

Please check the cable size in your existing light currently installed to be able to make the right choice for cable size.

Push the cable through the selected gland and rear cap seal.

Gland nut should not be fully tightened. This will allow for adjustment of cable.

Crimp female terminals to cable.

Connect female terminals to male connectors of rear cup of niche light.

Squeeze natural lanoline from supplied bottle into rear cap and fill to top.

Secure gland mount with the 4 screws supplied to cup. Please ensure that oring is retained on cup and gland mount.

Fully tighten gland nut to ensure sealing of cable.

With the 'WATERCO' logo facing upwards, fit Lens Niche into Niche and secure by tightening the two screws as shown in fig 6.

Before filling the pool

Check that the light is working by switching it on for a few seconds.

Disclaimer

Waterco takes no responsibility for Underwater Lights that are installed incorrectly or used beyond its intended purpose and specification.

Waterco has a policy of continuous research and development and reserves the right to amend without notice the specification and design of its products.

Diagram and Parts List

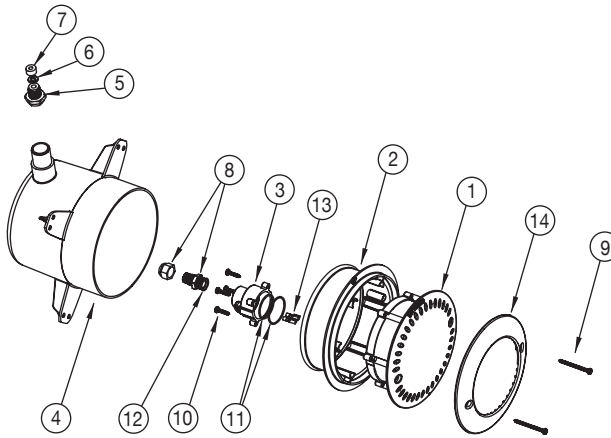


Fig 7

ITEM	QTY	PART NO.	NAME	REMARKS
1	1	264403	LED LIGHT WHITE	
1		264404	LED LIGHT BLUE	
2	1	6501110	MOUNTING RING	
3	1	6501107	GLAND MOUNT	
3		6501108	GLAND MOUNT	FOR 12MM CABLE
4	1	6501109	NICHE	
5	1	6501112	GLAND	
6	1	6501113	PLASTIC WASHER	
7	1	6501114	RUBBER RING	
8	1	650152	CABLE GLAND	
8		6501124	CABLE GLAND	FOR 12MM CABLE
9	2	6501122	SCREW	PH 6GX50 GR 316
10	4	6501121	SCREW	PH 6GX50 GR 316
11	2	6501117	'O' RING	BS 025
12	1	650153	'O' RING	METRIC 15X15
12		6501125	'O' RING	BS 019
13	2	S13879	TERMINAL FEMALE	
14	1	6501130	DRESS RING	OPTIONAL

OFFICES - AUSTRALIA

NSW - SYDNEY
(HEAD OFFICE)
Tel: +61 2 9898 8600

QLD - BRISBANE
Tel: +61 7 3299 9900

VIC/TAS - MELBOURNE
Tel: +61 3 9764 1211

WA - PERTH
Tel: +61 8 9273 1900

SA/NT - ADELAIDE
Tel: +61 8 8244 6000

ACT DISTRIBUTION
Tel: +61 2 6280 6476

OFFICES - OVERSEAS

WATERCO (EUROPE) LIMITED
Sittingbourne, Kent, UK
Tel: +44 (0) 1795 521 733

WATERCO FRANCE
Saint Priest, France
Tel: +33 4 72 79 33 30

WATERCO (USA) INC
Augusta, Georgia, USA
Tel: +1 706 793 7291

WATERCO CANADA
Longueuil, Quebec, Canada
Tel: +1 450 748 1421

WATERCO (NZ) LIMITED
Auckland, New Zealand
Tel: +64 9 525 7570

WATERCO © LIMITED
Guangzhou, China
Tel: +86 20 3222 2180

WATERCO (FAR EAST) SDN BHD
Selangor, Malaysia
Tel: +60 3 6145 6000

PT WATERCO INDONESIA
Jakarta, Indonesia
Tel: +62 21 4585 1481

WATERCO SINGAPORE INTL PTE LTD
Nehsons Building, Singapore
Tel: +65 6344 2378

WATERCO

Waterco Limited ABN 62 002 070 733

