



**WATERCO**  
water, the liquid of life

PRODUCT  
PRICE BOOK  
**2024**

Effective 1 September 2023

[www.waterco.co.nz](http://www.waterco.co.nz)

## **Waterco (NZ) Limited**

7 Industry Road, Penrose  
Auckland 1061, New Zealand  
Private Bag 99942, Newmarket 1149

## **Service Office**

Email : [nz.orders@waterco.com](mailto:nz.orders@waterco.com)  
Tel : +64 9 525 7570  
Free Phone : 0800 928 373  
Fax : +64 9 525 6580

## **Service Centre**

Email : [nz.service@waterco.com](mailto:nz.service@waterco.com)  
Tel : +64 9 525 2286  
Free Phone : 0800 423 404

## **Warranty**

[nzadmin@waterco.com](mailto:nzadmin@waterco.com)

## **Waterco Service Centre**

The Waterco Service Centre is available to all Waterco Trade and Commercial Customers, for inspection, reporting, installation and repair/replacement services.

The Service Centre team consists of registered Electricians, Electrical Service Technicians, and Mechanical Engineers.

All work is coordinated by the Waterco Service Centre Administrator, to ensure your work is carried out efficiently and effectively.

Services available include:

- Single phase and three phase equipment installation
- Pump and filter installation
- Sanitation equipment installation and repair/replacement
- Plumbing installation and repair/replacement
- Light and controller installation and repair/replacement
- On site troubleshooting



# Contents

Index	3-5
Terms and Conditions of Sale	6-7

## Product

UPVC Pressure Pipes and Fittings	9
Plumbing Products	13
Waterco Valves	14
MultiCyclone	20
Filters - Skid Pack, Cartridge Perl Filters	24
Filters	30
Commercial Filters	37
Media	52
Pumps	56
Heating	75
Pool Accessories	102
Waterco Cleaning Accessories	105
Handover Equipment and Accessories	106
Test Kits	109
Waterco Recirculation Accessories	117
Bluesquare Infloor System	140
Sanitation Equipment	141
Controllers	157
Lights	161
Spa Equipment and Accessories	167
Chemicals	171
Water Treatment	200
Drinking Water Purifier	205

## Spare Parts

Pumps	208
Cartridge	253
Filters	263
Valves	278
Chlorinators	294
Skimmer Boxes & Drains	307
Lights	314
Heater	320
Misc Flow Valves	348
Cleaner	354
Water Purifier & Filters	358
MultiCyclone	364

Warranty Terms & Conditions	374
-----------------------------	-----

# Index

Product	Complete Product	Product Information	Spare Parts
2 Way Valves	14	-	349-353
3 Way Valves	14	-	349-353

## A

Absorber Zane	79	85	-
Actuated Valves	14	18	348
Air Bleed Valves	168	-	-
Air Button Plunger	167	-	-
Air Switch Control	168	-	-
Algae Brush PRO	105	114	-
Aqua Finger Brush	105	115	-
Aquabiome	30	34	373
Aqua-Health Chemicals	171-173	178-194	-
Aquamaster Control	145	157	-
Aquamite Pump	-	-	208-209
Aquaperl Media	52	54	-
Aquastream MK2 Solar Pump	56	60	213
Automatic Pool Cleaning System	105	114-115	-
Auto Water Leveller	121	128	312

## B

Bag Filters	24	-	-
Ball Valve Compact	14	-	-
Barrel Unions	11	-	-
Black Fittings PVC	11	-	-
Black Pipe	9	-	-
Blowers	167	-	-
Bluesquare Infloor System	140	140	-
Brightstream Lights	162	163-165	316-318
Brush Vac Head Pro	107	114	-
Bungs Rubber	13	-	-
By Pass Kits Electroheat	75	95	-

## C

Calibration Solution	109	-	-
Cap PVC	11	-	-
Cartridge Filter	-	-	253
Cartridge Filters	24	26-28	-
Cast Iron Pump	-	-	241-242
Cartridges only	25	-	-
Ceramic Cartridge	206	-	-
Chemflo Plus	143	150	-
Chlorine Feeders	143	151	-
Commercial Filters	37-38	39-51	269-276
Commercial Pumps	58	69-73	-
Commercial Strainer	58	71	243
Compact Ball Valve	14	-	-
Concrete Spa Jets	167	-	-
Conduit	9	-	-
Control Air Switch	168	-	-
Controllers Zane	79	84	-
Couplings PVC	10	-	-
Couplings Rubber	13	-	-
Crushed Glass (Eco)	52	53	-
Cuffs Vacuum Hose	103	-	-
CZR Cartridge	205	-	-

Product	Complete Product	Product Information	Spare Parts
---------	------------------	---------------------	-------------

<b>D</b>			
DE Filter	-	-	261-262
Delta Hot Pumps	167	162	250
Deluxe Vac Hose	107	-	-
Digiheat Inline Heater	167	98	322

## E

Eco and Eco-V Pumps	57	66-68	222-230
Ecopure Glass Media	53	53	-
Ecoskim	102	111	-
Elbows PVC	9	-	-
Elbows Rubber	13	-	-
Electoheat Ultra Heat Pump	-	-	335-336
Electric Heater (Digiheat)	76	98	321
Electrochlor	141	148-150	296-297
Electroheat By Pass Kits	75	95	-
Electroheat Eco V Inverter	75	93-94	340-341
Electroheat MKV Heat Pump	75	90	339
Electroheat Plus Heat Pump	75	91	326-331
Electroheat Pro 100	73	96-97	343
Emerkit	13	-	-
Exotuf Filters	30	31	265
Expansion Plugs	13	-	-
Eyeballs	123	131-132	-

## F

Fiberglass Eyeballs	123	132	-
Fiberglass Suctions	122	-	-
Filter Bags	200	-	359
Filter Elements	25	-	-
Filters Commercial	37-38	39-51	275-276
Filters Media (Aquabiome Media)	35	-	-
Filtration Media	52	53-54	-
Finsbury Pressure Pump	-	-	252
Flexi Pipe	9	-	-
Flexible Vac Head PRO	106	114	-
Floating Tablet Dispenser	143	151	-
Flocheck Valve	78, 82	84, 85	-
Floor Inlet	121	-	313
Flow Check Valves	14	17	-
FlowVis Valve	14	17	-
Flush Deck Grating	122	130	-
Foot Valve	13	-	-
FPI Valves	14	18	-
Fulflo Cartridge Filters	24	28	260
Fulflo Valves	14	17	-

## G

Galvanised Saddles	13	-	-
Gas Heater	76	82	320
Gauges	16	-	-
Gravity Purifiers	205	206	358
Glass Media	52	53	-
Glue PVC	13	-	-
Grease Plate	121	-	310
Green Glue	13	-	-
Gulfpanel Zane	80	86-89	-

# Index

Product	Complete Product	Product Information	Spare Parts
<b>H</b>			
Halogen Lights	-	-	315
Handover Equipment	106	114-115	-
Handover Packs	106-108	-	-
Heat Pump	75	90-97	322-346
Hose Clamps	13	-	-
Hydro5000 Commercial Strainer	38	51	243
Hydrochlor ST Mineral Chlorinators	141	146	301
Hydron Commercial Filter	-	-	276
Hydron Filters	-	-	276
Hydrostatic Valve 50mm	122	129	-
Hydrostar Plus Pumps	58	70	237
Hydrostar Pumps	58	69	233
Hydrosteel Pump	-	-	239-240
Hydrostatic Valve Fiberglass	122	129	-
Hydrostorm Plus Pump	56	63	230
Hydrostorm Pump	56	62	225-226
Hydrostorm Pump Eco	57	66	227-229
Hydrotuf Pump	-	-	224

<b>I</b>			
In Line Strainer (Plumbing)	13	-	-
Infloor Cleaning	140	140	357

<b>J</b>			
Joiners PVC	10	-	-
Joiners Vacuum Hose	103	-	-

<b>L</b>			
Large PVC (65mm & Above)	12	-	-
LCD Colour Touch Control	145	145	-
Leaf Rake Pro	105	115	-
Leaf Skimmer Pro	115	115	-
Leaf Trapper	24	26	254
LED Lights	161-162	163-165	316-318
Light Transformers	161	166	-
Litestream LED Lights	161	163	317

<b>M</b>			
Mac Unions (Barrel Unions)	11	-	-
Main Drain	121	129	310
Male Valve Adaptor	10	-	-
Male Valve Socket	10	-	-
Manifold Packs Zane	79	85	-
Marine Grade Seal Pumps	57	-	-
Media Aquaperl	52	54	-
Media Filters	33	-	-
Media Filtration	52	53	-
Micron Filters	30	32-33	263-264
Mineral Chlorinators	141-142	146-149	-
Mineral Crystals	143	150	-
MultiCyclone	20	21-23	364-372
Multiport Valves	15-16	19	278-293

Product	Complete Product	Product Information	Spare Parts
<b>N</b>			
Niche165 Led Lights	161	164	318
Non Return Valve	14	-	-

<b>O</b>			
Old Faithful Swimjets	117	124	-
Opal Cartridge Filters	24	27	256-257
Ozone Swim	143	151	-
Oximswim Dual Sanitation System	143	152	-

<b>P</b>			
PC5 Controller	79	84	-
Pearl Glass Media	52-53	53	-
Plug Screwed PVC	11	-	-
Pool Broom PRO	104	114	-
Pool Salt	142	-	-
Pool Test 25 Bluetooth Kit	109	-	-
Poppits	174-175	196-199	-
Portapac Spa Pumps	167	169	247-249
Pressure Gauges	16	-	-
Priming Fluid	13	-	-
Pro Electrochlor	142	148	306
Pump Seal Sea Water	58	-	-
Pumps	56-58	59-73	208-246
Push/Pull Valves	14	-	-
PVC Couplings	10	-	-
PVC Elbows	9	-	-
PVC End Cap	11	-	-
PVC Faucet Socket	10	-	-
PVC Glue	13	-	-
PVC Large (65mm & Above)	12	-	-
PVC Male Valve Adaptor	10	-	-
PVC Male Valve Socket	10	-	-
PVC	9	-	-
PVC Reducing Tee	10	-	-
PVC Reducing Bush	11	-	-
PVC Reducing Coupling	11	-	-
PVC Saddles	13	-	-
PVC Screwed Plug	12	-	-
PVC Tee	10	-	-

<b>Q</b>			
Q360 Infloor Cleaning System	139	140	357

<b>R</b>			
Raypack Gas Heater	77	100-101	-
Reducing Bush PVC	11	-	-
Reducing Coupling	11	-	-
Returns Eyeballs	123	131-132	-
Robotic Cleaners	102	112-123	-
Rubber Connectors	13	-	-
Rubber Expansion Plugs	13	-	-

# Index

Product	Complete Product	Product Information	Spare Parts
<b>S</b>			
S75 Skimmer	119	126	307-308
Saddles PVC	13	-	-
Safe T Suction	117	-	-
Sand	52	53	-
Sea Water Mechanical Seal	58	-	246
Side Mount Filters	30	33	266-267
Skimmer Ecoskim	102	111	-
Skimmer Extension Ring	121	128	-
Skimmers	118-121	125-127	307-309
Skimtrol Vacuum Plate	123	132	-
Slice Valves	15	-	-
Slim90 Fiberglass Light	161	165	-
Slimlight165	161	164	-
Slip Fit Suctions	122	131	-
Solar Aquastream MK2 Pump	56	60	212-213
Solar Zane	78-83	84-89	-
Sovent Cement	13	-	-
SP5000 Skimmers	103	110	309
Spa Bath Pumps	167	170	250
Spa Blowers	167	-	-
Spa Pumps Portapac	167	169	247-249
Spa Skimmers	168	-	-
Spa Suctions	168	-	-
Stainless Steel Hose Clamps	13	-	-
Strainer In Line	13	-	-
Sweep Elbow	15	-	-
Strip Skimmer	167	-	-
Suction Cleaner	102	110	-
Suctions Concrete, Fibreglass	102	-	-
Supa Skimmer	120	127	307-308
Supaflo Pump	-	-	244
Suparstream Pumps	56	59	214-218
Supatuf Eco Pump	57	67	322-323
Supatuf MKII Pump	57	67	221
Surface Mount Lights	161	164	316
Sweepmaster Pump	-	-	251
Swimkleen Suction Cleaner	102	-	355-356
Swimjet System	117	124	-
Swing Check Valve	14	-	348

Product	Complete Product	Product Information	Spare Parts
<b>T</b>			
TBF Filters	200	203	-
TCF Filters	200	202	-
Teflon Tape	13	-	-
Telescopic Handle	105	-	-
Test Kits	109	116	-
Test Strips	109	-	-
The Pool Cleaner	102	110	-
Thermoplastic Filters	-	-	263-264
Threaded Suctions	122	-	-
Transformers Lights	161	166	-
Trident Cleaners	102	112-113	-
Trimline Cartridge Filters	24	26	253
Turbflo Pump	56	65	245
Turboflo Aqua Pump	58	73	-
Turbotemp Gas Heater	76	99	320
Turmion Controls	145	159	-
<b>U</b>			
Ultra Vac	102	110	-
US Swimjets	117	124	-
<b>V</b>			
Vacuum Hose	103	-	-
Vacuum Plate	103	110	-
Valves	14	-	348-353
Valves Multiport	15-16	19	278-293
Venturi T	167	-	-
Vinyl Eyeball	123	132	-
Vortex Chamber Skimmer	30	35	-
<b>W</b>			
W Filters	201	204	361-362
Warranty Terms	-	-	374-379
Water Leveller	121	128	312
Water Purifiers	205	206	358
Waterblade	134-138	133	-
Waterchlor Chlorinator	-	-	394-395
Waterking	143	151	302
WD Filters	201	-	361-362
<b>Z</b>			
Zane Solar	78-83	84-89	-
Zeoplus Media	52	53	-

# Terms and Conditions of Sale

## 1. DEFINITIONS

- 1.1 "Waterco" shall mean Waterco (NZ) Limited, or any agents or employees thereof.
- 1.2 "Customer" shall mean the Customer, any person acting on behalf of and with the authority of the Customer, or any person purchasing products and services from Waterco.
- 1.3 "Goods" shall mean:
  - 1.3.1 all Goods of the general description specified on the front of this agreement and supplied by Waterco to the Customer; and
  - 1.3.2 all Goods supplied by Waterco to the Customer;
  - 1.3.3 all inventory of the Customer that is supplied by Waterco;
  - 1.3.4 all Goods supplied by Waterco and further identified in any invoice issued by Waterco to the Customer, which invoices are deemed to be incorporated into and form part of this agreement;
  - 1.3.5 all Goods that are marked as having been supplied by Waterco or that are stored by the Customer in a manner that enables them to be identified as having been supplied by Waterco; and
  - 1.3.6 all of the Customer's present and after-acquired Goods that Waterco has performed work on or to or in which goods or materials supplied or financed by Waterco have been attached or incorporated.
  - 1.3.7 The above descriptions may overlap but each is independent of and does not limit the others.
- 1.4 "Goods" shall also mean all goods, products, services and advice provided by Waterco to the Customer and shall include without limitation the supply of pool equipment and chemicals and all associated Goods and Services and all charges for labour, hire charges, insurance charges, or any fee or charge associated with the supply of Goods by Waterco to the Customer.
- 1.5 "Price" shall mean the cost of the Goods as agreed between Waterco and the Customer and includes all disbursements eg charges Waterco pay to others on the Customer's behalf subject to clause 4 of this contract.

## 2. PRICE

- 2.1 Where no price is stated in writing or agreed to orally the Goods shall be deemed to be sold at the list price at the time of the contract.
- 2.2 Waterco reserves the right to alter prices by giving at least 30 days' prior written notice to the customer. The price may be increased by the amount of any reasonable increase in the cost of supply of the Goods that is beyond the control of Waterco between the date of the contract and delivery of the Goods.
- 2.3 Where the customer has placed an order for goods prior to the price increase, the customer has a right to proceed with the order based on the new price or to cancel the order if the customer does not accept the new price.

## 3. ACCEPTANCE

- 3.1 Any instructions received by Waterco from the Customer for the supply of Goods shall constitute a binding contract and acceptance of the terms and conditions contained herein.

## 4. COLLECTION AND USE OF INFORMATION

- 4.1 The Customer authorises Waterco to collect, retain and use any information about the Customer, for the purpose of assessing the Customer's credit worthiness, enforcing any rights under this contract, or marketing any Goods provided by Waterco to any other party.
- 4.2 The Customer authorises Waterco to disclose any information obtained to any person for the purposes set out in clause 4.1.
- 4.3 Where the Customer is a natural person the authorities under clauses 4.1 and 4.2 are authorities or consents for the purposes of the Privacy Act 1993.

## 5. QUOTATION

Where a quotation is given by Waterco for Goods:

- 5.1 Unless otherwise agreed the quotation:
  - (a) shall be valid for thirty (30) days from the date of issue;
  - (b) shall be exclusive of goods and services tax unless specifically stated to the contrary.
- 5.2 Waterco reserve the right to alter the quotation because of circumstances beyond its control.

- 5.3 Where Goods are required in addition to the quotation the Customer agrees to pay for the additional cost of such Goods.
- 5.4 All prices quoted are freight exclusive.
- 5.5 A deposit may be required when accepting a quotation.

## 6. PAYMENT

- 6.1 Payment of goods shall be strictly Cash-On-Delivery unless credit arrangements have been approved.
- 6.2 Payments of goods purchased on credit must be made on or before the 20th of the month following the date of the invoice ("the due date").
- 6.3 Overdue accounts may incur an interest charge at the rate of 2.5% per month, at Waterco's discretion. Waterco reserves the right to require Cash-On-Delivery where there has been a failure to meet the terms of credit previously provided.
- 6.4 Any expenses, disbursements and legal costs incurred by Waterco in the enforcement of any rights contained in this agreement shall be paid by the Customer, including any reasonable solicitor's fees or debt collection agency fees

## 7. DELIVERY ARRANGEMENTS

- 7.1 Waterco will only deliver to the customer's business premises..
- 7.2 Freight costs will be handled in accordance with clause 8.
- 7.3 If the customer requests delivery outside of their business premises, it may or may not be provided, at the relevant NZ Country Manager's discretion and on terms to be agreed with the NZ Country Manager.

## 8. FREIGHT COSTS

- 8.1 All prices quoted are Free-Into-Store (FIS) when above the minimum order value as stipulated in the most recent NZ Logistics Rate Matrix valid at the date of purchase.
- 8.2 Deliveries for goods that do not meet the FIS requirements will have freight charged at the rate stipulated on the most recent NZ Logistics Rate Matrix. Copies of the current NZ Logistics Rate Matrix are available upon request.
- 8.3 Where freight forward costs and charges are reversed to Waterco by a freight forwarder for any reason, these costs and charges will be applied to the Trading Account of the party liable.
- 8.3 Commercial filters and pumps are not FIS. Customers are responsible for the cost of returning returnable jars/cubes to Waterco.

## 9. DELIVERY AND HANDLING FEES

- 9.1 Orders with an invoice value of less than \$250.00 (ex GST and not including jar/cube deposit) will incur a delivery and handling fee of \$25.00, upon delivery of goods at Waterco's discretion.
- 9.2 All orders with an invoice value of less than \$25.00 (ex GST) will be on a cash sale basis only.
- 9.3 Cash sales picked up will not incur any handling charges. Waterco reserve the right to vary the amounts stated in this clause by giving prior notice to the customer.

## 10. RETURNED GOODS

- 10.1 Goods returned for credit by prior arrangement only and must be accompanied by written details of the original delivery date and other relevant information.
- 10.2 Returns may be subject to a handling charge at Waterco's discretion according to the circumstances.
- 10.3 Waterco will not be responsible for the freight charges for the return of such goods.

## 11. TITLE AND SECURITY (PERSONAL PROPERTY SECURITIES ACT 1999)

- 11.1 11.1 Risk in all goods supplied by Waterco to the customer shall pass immediately the goods leave Waterco premises and the customer shall ensure that appropriate transit insurance cover has been taken out in respect of such goods.
- 11.2 11.2 However, title and ownership in any Goods supplied by Waterco passes to the customer only when the customer has made payment in full for all Goods provided by Waterco and of all other sums due to Waterco by the customer on any account whatsoever.

# Terms and Conditions of Sale

- 11.3 Until all sums due to Waterco by the customer have been paid in full, Waterco has a security interest in all Goods and the customer will hold the goods as fiduciary bailee and agent for Waterco, the agency being solely for the purpose of accounting for sale proceeds.
- 11.4 If the Goods are attached, fixed, or incorporated into any property of the customer, by way of any manufacturing or assembly process by the Customer or any third party, title in the Goods shall remain with Waterco until the customer has made payment for all Goods, and where those Goods are mixed with other property so as to be part of or a constituent of any new Goods, title to these new Goods shall be deemed to be assigned to Waterco as security for the full satisfaction by the customer of the full amount owing between Waterco and customer.
- 11.5 The customer gives irrevocable authority to Waterco to enter any premises occupied by the customer or on which Goods are situated at any reasonable time after default by the customer or before default if Waterco believes a default is likely and to remove and repossess any Goods and any other property to which Goods are attached or in which Goods are incorporated. Waterco shall not be liable for any costs, damages, expenses or losses incurred by the customer or any third party as a result of this action, nor liable in contract or in tort or otherwise in any way whatsoever unless by statute such liability cannot be excluded.
- 11.6 Waterco may either resell any repossessed Goods and credit the customer's account with the net proceeds of sale (after deduction of all repossession, storage, selling and other costs) or may retain any repossessed Goods and credit the customer's account with the invoice value thereof less such sum as Waterco reasonably determines on account of wear and tear, depreciation, obsolescence, loss or profit and costs.
- 11.7 If such goods are sold by the customer prior to payment, or if they become constituents of other goods, then the customer will hold those proceeds of sale which equate to the amount owing for the goods on trust for and account for them to Waterco.
- 11.8 Where Goods are retained by Waterco, the customer waives the right to receive notice under section 120 of the Personal Property Securities Act 1999 ("PPSA") and to object under section 121 of the PPSA.

## 12. DISCUTES AND RETURNED GOODS

- 12.1 The customer shall, within seven (7) days upon receipt of a completed order report to Waterco in writing all incorrect deliveries.
- 12.2 Deliveries shall be assumed to be correct and no adjustment shall be made unless such notice is provided to Waterco within seven (7) days of the date of delivery.
- 12.3 No claim relating to the Goods will be considered unless made within seven (7) days of delivery.
- 12.4 No Goods will be accepted for return without the prior consent of Waterco. Waterco may at its sole discretion, repair the Goods or charge a restocking fee of up to 20%.
- 12.5 All claims for return of goods must be accompanied by the number and date of supply invoice. Waterco shall have a reasonable opportunity to investigate any claim and the customer will be liable for any freight and insurance charges.

## 13. PROOF OF DELIVERY

- 13.1 Proof of delivery (P.O.D) may be available, as an exception document, up to 3 months after dispatch, without charge. Thereafter a fee of \$30.00 per P.O.D. will apply.

## 14. INTELLECTUAL PROPERTY

- 14.1 The customer must not use Waterco's intellectual property (Trade Marks / Logos / Images) without Waterco's written permission

## 15. LIABILITY

- 15.1 The Consumer Guarantees Act 1993, the Fair-Trading Act 1986 and other statutes may imply warranties or conditions or impose obligations upon Waterco which cannot by law (or which can only to a limited extent by law) be excluded or modified. In respect of any such implied warranties, conditions or terms imposed on Waterco, Waterco's liability shall, where it is allowed, be excluded or if not able to be excluded only apply to the minimum extent required by the relevant statute.

- 15.2 Except as otherwise provided by clause 15.1 Waterco shall not be liable for any loss or damage of any kind whatsoever including consequential loss whether suffered or incurred by the customer or another person and whether in contract or tort (including negligence) or otherwise and irrespective of whether such loss or damage arises directly or indirectly from Goods provided by Waterco to the customer.

- 15.3 The Customer shall indemnify Waterco against all claims and loss of any kind whatsoever however caused or arising and without limiting the generality of the foregoing of this clause whether caused or arising as a result of the negligence of Waterco or otherwise, brought by any person in connection with any matter, act, omission, or error by Waterco its agents or employees in connection with the Goods.

## 16. WARRANTY

- 16.1 No representation, condition, warranty or premise expressed or implied by law or otherwise applies to the Goods except where goods are supplied or services provided pursuant to the Consumer Guarantees Act 1993 or except where expressly stated in this contract.
- 16.2 Waterco does not provide any warranty that the Goods are fit and suitable for the purpose for which they are required by the Customer and shall not be liable if they are not.

## 17. CONSUMER GUARANTEES ACT

- 17.1 Waterco will meet all of its obligations under the Consumer Guarantees Act 1993.

## 18. PERSONAL GUARANTEE OF COMPANY DIRECTORS OR TRUSTEES

- 18.1 If the customer is a company or trust, the director(s) or trustee(s) signing this contract, in consideration for Waterco agreeing to supply Goods and grant credit to the customer at their request, also sign this contract in their personal capacity and jointly and severally personally undertake as principal debtors to Waterco the payment of any and all monies now or hereafter owed by the customer to Waterco and indemnify Waterco against non-payment by the customer.
- 18.2 Any personal liability of a signatory hereto shall not exclude the customer in any way whatsoever from the liabilities and obligations contained in this contract.
- 18.3 The signatories and customer shall be jointly and severally liable under the terms and conditions of this contract and for payment of all sums due hereunder.

## 19. CANCELLATION

- 19.1 Waterco shall, without any liability, and without any prejudice to any other right it has in law or equity, have the right by notice to suspend or cancel in whole or in part any contract for the supply of Goods to the customer if the customer fails to pay any money owing after the due date or the customer commits an act of bankruptcy as defined in section 19 of the Insolvency Act 1967.
- 19.2 Any cancellation or suspension of this agreement shall not affect Waterco's claim for money due at the time of cancellation or suspension or for damages for any breach of any terms of this contract or the customer's obligations to Waterco under this contract.

## 20. MISCELLANEOUS

- 20.1 Waterco shall not be liable for delay or failure to perform its obligations if the cause of the delay or failure is beyond its control.
- 20.2 Failure by Waterco to enforce any of the terms and conditions contained in this contract shall not be deemed to be a waiver of any of the rights or obligations Waterco has under this contract.
- 20.3 If any provision of this contract shall be invalid, void or illegal or unenforceable the validity existence, legality and enforceability of the remaining provisions shall not be affected, prejudiced or impaired.





Enhance your time in the pool while saving water and energy with Waterco's Climate Care Certified solutions.

A selection of Waterco's premium products have been Climate Care Certified. Whilst highly efficient individually, these products enable pool owners to reach the highest levels of environmental sustainability when combined and operated in the correct way.



MultiCyclone & Opal dual stage filtration



Micro ECO filter with Glass Pearls filter media



Hydrostorm ECOV variable speed pump



Electrochlor Mineral chlorinator



Dolphin robotic cleaner

For more information, please contact your nearest Waterco branch for more details and availability.

**NSW** 02 9898 8686 **QLD** 07 3299 9900 **VIC** 03 9764 1211 **SA** 08 8244 6000 **WA** 08 9273 1900 **NZ** 09 525 7570

**WATERCO**  
water, the liquid of life

[www.waterco.com](http://www.waterco.com)

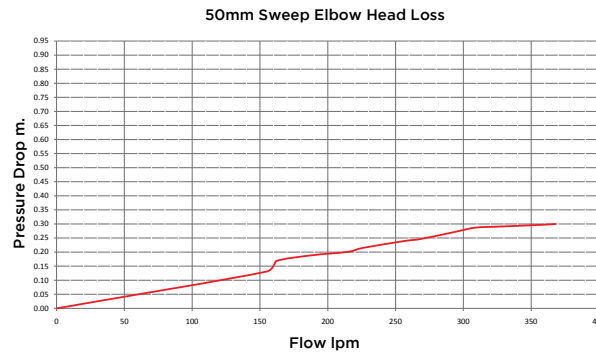


## PVC PRESSURE PIPE

Part Number	Product Description	Nominal Size	Carton Qty	NZ List Price	Retail Inc GST
112512	Class 12	25mm x 6m	5 per bundle	49.00	56.35
114012	Class 12	40mm x 6m	5 per bundle	65.00	74.75
115012	Class 12	50mm x 6m	5 per bundle	95.50	109.83
114015	Solarpipe - Black	40mm x 6m	5 per bundle	85.00	97.75
115013	Solarpipe - Black	50mm x 6m	5 per bundle	95.00	109.25
627020	Conduit	20mm x 3m		12.90	14.84
627025	Conduit	25mm x 3m		16.20	18.63

## SWEEP ELBOW

Waterco's 50mm PVC Sweep Elbow is specifically designed to provide a long radius for superior water flow. This is the perfect solution to improving a pool's hydraulic efficiency, particularly when using energy efficient pumps.



## FLEXIBLE PVC HOSES



Part Number	Product Description	Nominal Size	NZ List Price	Retail Inc GST
13011	PVC Pressure Flexi Hose	25mm x 15m Roll	350.00	402.50
13012	PVC Pressure Flexi Hose	40mm x 15m Roll	405.00	465.75
13013	PVC Pressure Flexi Hose	50mm x 15m Roll	690.00	793.50



## SWEEP ELBOW



Part Number	Product Description	Nominal Size	Carton Qty	NZ List Price	Retail Inc GST
121553	Sweep Elbow - Black	50mm	30	15.60	17.94
121552	Sweep Elbow - White	50mm	30	15.60	17.94

## FITTINGS ELBOW 90°



Part Number	Product Description	Nominal Size	Carton Qty	NZ List Price	Retail Inc GST
121315		15mm		3.50	4.03
121320		20mm		3.60	4.14
121325		25mm	220	3.90	4.49
121340		40mm	90	5.00	5.75
121350		50mm	60	7.30	8.40
121343	Street Elbow 90o	40mm	100	8.90	10.24

## FITTINGS ELBOW 45°



Part Number	Product Description	Nominal Size	Carton Qty	NZ List Price	Retail Inc GST
121015		15mm		3.50	4.03
121020		20mm		3.60	4.14
121025		25mm	300	3.80	4.37
121040		40mm	120	5.10	5.87
121050		50mm	90	7.50	8.63



## MALE VALVE ADAPTOR

Part Number	Product Description	Nominal Size	Carton Qty	NZ List Price	Retail Inc GST
12220		20mm		7.20	8.28
12225		25mm		9.60	11.04
12240		40mm	200	12.40	14.26
12250		50mm		25.70	29.56



## FEMALE FAUCET ADAPTOR

Part Number	Product Description	Nominal Size	Carton Qty	NZ List Price	Retail Inc GST
12320		20mm		12.70	14.61
12325		25mm		14.10	16.22
12340		40mm	100	15.40	17.71
12350		50mm		32.50	37.38



## MALE VALVE SOCKET

Part Number	Product Description	Nominal Size	Carton Qty	NZ List Price	Retail Inc GST
121720		20mm		6.30	7.25
121725		25mm		8.50	9.78
121740		40mm	180	12.40	14.26
121750		50mm		16.70	19.21



## FEMALE FAUCET SOCKET

Part Number	Product Description	Nominal Size	Carton Qty	NZ List Price	Retail Inc GST
121820		20mm		10.50	12.08
121825		25mm		13.70	15.76
121840		40mm	180	15.50	17.83
121850		50mm	120	32.60	37.49



## TEE

Part Number	Product Description	Nominal Size	Carton Qty	NZ List Price	Retail Inc GST
121915		15mm		3.80	4.37
121920		20mm		3.90	4.49
121925		25mm	150	4.80	5.52
121940		40mm	70	6.90	7.94
121950		50mm	40	10.70	12.31



## REDUCING TEE

Part Number	Product Description	Nominal Size	NZ List Price	Retail Inc GST
1219252		25 x 20mm	7.80	8.97
1219402		40 x 20mm	17.60	20.24
1219403		40 x 25mm	17.00	19.55
1219504		50 x 40mm	31.80	36.57



## FAUCET TEE

Part Number	Product Description	Nominal Size	NZ List Price	Retail Inc GST
1221401		40 x 15mm BSP	15.50	17.83
1221402		40 x 20mm BSP	17.00	19.55
1221403		40 x 25mm BSP	17.10	19.67



## COUPLING / JOINERS

Part Number	Product Description	Nominal Size	Carton Qty	NZ List Price	Retail Inc GST
12715		15mm		2.30	2.65
12720		20mm		2.80	3.22
12725		25mm	400	2.70	3.11
12740		40mm	180	4.60	5.29
12750		50mm	120	6.40	7.36
12765		65mm		30.00	34.50

## CAP / END CAP



Part Number	Product Description	Nominal Size	Carton Qty	NZ List Price	Retail Inc GST
12615		15mm		2.40	2.76
12620		20mm		2.50	2.88
12625		25mm	500	2.80	3.22
12640		40mm	250	4.00	4.60
12650		50mm	150	5.50	6.33
12665	Cap 65mm	65mm		18.00	-
AC700	Internal Caps	25mm		2.10	2.42
AC703	Internal Caps	40mm		3.10	3.57

## REDUCING BUSH



Part Number	Product Description	Nominal Size	Carton Qty	NZ List Price	Retail Inc GST
125251		25 x 15mm		4.60	5.29
125252		25 x 20mm		4.60	5.29
12543		40 x 25mm	450	6.70	7.71
12555		50 x 40mm	220	7.30	8.40
12565		65 x 50mm		69.00	79.35
12555BLK	Black	50 x 40mm	220	8.20	9.43

## REDUCING COUPLING



Part Number	Product Description	Nominal Size	Carton Qty	NZ List Price	Retail Inc GST
128252		25 x 20mm		6.30	7.25
12842		40 x 20mm		13.40	15.41
12843		40 x 25mm		13.70	15.76
12553		50 x 25mm			
12855		50 x 40mm	150	13.90	15.99

## SCREWED PLUG



Part Number	Product Description	Nominal Size	Carton Qty	NZ List Price	Retail Inc GST
122340		40mm		25.40	29.21

## BLACK FITTING - ELBOW



Part Number	Product Description	Nominal Size	Carton Qty	NZ List Price	Retail Inc GST
121342	Elbow 90o	40mm	90	4.50	5.18
121352	Elbow 90o	50mm	60	9.30	10.70
121042	Elbow 45o	40mm	120	4.20	4.83
121052	Elbow 45o	50mm	90	9.10	10.47

## BLACK FITTING - OTHER



Part Number	Product Description	Nominal Size	Carton Qty	NZ List Price	Retail Inc GST
12742	Coupling	40mm	180	4.60	5.29
12752	Coupling	50mm	120	6.40	7.36
121942	Tee	40mm	70	8.60	9.89
121952	Tee	50mm	40	14.70	16.91
12642	Cap	40mm	250	6.90	7.94
12652	Cap	50mm	150	11.20	12.88
1222411	Barrel Union (Threaded - Black)	40mm		33.10	38.07

## BARREL UNION



Part Number	Product Description	Nominal Size	Carton Qty	NZ List Price	Retail Inc GST
122225	Barrel Union (Standard)	25mm		21.10	24.27
122240	Barrel Union (Standard)	40mm		25.40	29.21
122250	Barrel Union (Standard)	50mm		38.80	44.62
122280	Barrel Union (Standard)	80mm		79.00	90.85
122241	Barrel Union (Threaded)	40mm		33.80	38.87
1222510	Barrel Union (Threaded) Black	50mm		38.70	44.51



## PIPE

Part Number	Product Description	Nominal Size	NZ List Price	Retail Inc GST
116512	Class 12	65mm x 6m	305.00	350.75
118012	Class 12	80mm x 6m	445.00	511.75
111012	Class 12	100mm x 6m	485.00	557.75
1115012	Class 12	150mm x 6m	870.00	1,000.50
1120012	Class 12	200mm x 6m	1,100.00	1,265.00



## ELBOW 90°

Part Number	Product Description	Nominal Size	NZ List Price	Retail Inc GST
121365	Elbow 90°	65mm	77.00	88.55
121380	Elbow 90°	80mm	56.50	64.98
1213100	Elbow 90°	100mm	96.50	110.98
1213150	Elbow 90°	150mm	188.00	216.20
1213200	Elbow 90°	200mm	1,284.00	1,476.60



## ELBOW 45°

Part Number	Product Description	Nominal Size	NZ List Price	Retail Inc GST
121065	Elbow 45°	65mm	76.00	87.40
121080	Elbow 45°	80mm	97.00	111.55
1210100	Elbow 45°	100mm	143.00	164.45
1210150	Elbow 45°	150mm	158.00	181.70
1210200	Elbow 45°	200mm	1,284.00	1,476.60



## TEE

Part Number	Product Description	Nominal Size	NZ List Price	Retail Inc GST
121965	Tee	65mm	66.00	75.90
121980	Tee	80mm	67.00	77.05
1219100	Tee	100mm	141.00	162.15
1219150	Tee	150mm	243.00	279.45
1219200	Tee	200mm	1,766.00	2,030.90

## COUPLING

Part Number	Product Description	Nominal Size	NZ List Price	Retail Inc GST
12765	Coupling	65mm	30.00	34.50
12780	Coupling	80mm	37.50	43.13
127100	Coupling	100mm	64.50	74.18
127150	Coupling	150mm	190.00	218.50

## REDUCING COUPLING

Part Number	Product Description	Nominal Size	NZ List Price	Retail Inc GST
12865	Reducing Coupling	65x50mm	35.00	40.25
12880	Reducing Coupling	80x65mm	41.00	47.15
121008	Reducing Coupling	100x80mm	75.00	86.25
1281251	Reducing Coupling	150x100mm	81.00	93.15

## REDUCING BUSH

Part Number	Product Description	Nominal Size	NZ List Price	Retail Inc GST
12565	Reducing Bush	65 x 50mm	69.00	79.35
12586	Reducing Bush	80 x 50mm	72.50	83.38
12589	Reducing Bush	80x65mm	116.00	133.40
125106	Reducing Bush	100x50mm	58.00	66.70
125107	Reducing Bush	100 x 80mm	108.00	124.20
1251501	Reducing Bush	150 x 100mm	145.00	166.75



## SCREWED PLUG

Part Number	Product Description	Nominal Size	NZ List Price	Retail Inc GST
122380	Screwed Plug	80mm	33.00	\$37.95

## BARREL UNION

Part Number	Product Description	Nominal Size	NZ List Price	Retail Inc GST
122281	Barrel Union Black	80mm	86.00	98.90
1222101	Barrel Union Black	100mm	145.00	166.75
122280	Barrel Union (Standard)	80mm	79.00	90.85

## VALVE SOCKET

Part Number	Product Description	Nominal Size	NZ List Price	Retail Inc GST
121765	Male valve socket	65mm	51.00	58.65



## SOVENT CEMENTS

Part Number	Product Description	Nominal Size	Carton Qty	NZ List Price	Retail Inc GST
13002	PVC Glue Type N (Clear) - CL3	250ml	24	26.00	29.90
13003	PVC Glue Type N (Clear) - CL3	500ml	18	44.00	50.60
13004	PVC Priming Fluid (Clear) - CL3	500ml	18	44.00	50.60
13005	PVC Priming Fluid (Clear) - CL3	250ml	10	32.20	37.03
13104	PVC Priming Fluid (Clear) - CL3	500ml	18	44.00	50.60
13203	PVC Glue Type P (Green) - CL3	500ml	18	44.00	50.60
13404	PVC Glue Type N (Clear) - CL3	4L	2	405.00	465.75
13501	Industrial Silicone Sealant	300grams	20	-	-
13002LI	PVC Glue Type N (Clear) - CL3	237ML	24	22.10	25.42
13003LI	PVC Glue Type N (Clear) - CL3	473ML	12	36.80	42.32
13004LI	PVC Priming Fluid (Clear) - CL3	473ML	12	36.80	42.32
13104LI	PVC Priming Fluid (Red) - CL3	473ML	12	36.80	42.32
13404LI	PVC Glue Type N (Clear) - CL3	3.785L	6	405.00	465.75



## RUBBER COUPLINGS

Part Number	Product Description	Nominal Size	NZ List Price	Retail Inc GST
13021	Rubber Connector	50mm x 50mm	14.60	16.79
13022	Rubber Connector-Reducing	50mm x 40mm	14.60	16.79
13023	Rubber Connector	40mm x 40mm	12.70	14.61
13024	Rubber Connector-Reducing	40mm x 32mm	12.50	14.38
13025	Rubber Connector	32mm x 32mm	11.90	13.69
13027	Rubber Elbow (90o)	40mm	18.50	21.28
13028	Rubber Elbow (90o)	50mm	22.90	26.34

## HOSE CLAMPS - STAINLESS STEEL

Part Number	Product Description	Nominal Size	NZ List Price	Retail Inc GST
13031	Stainless Steel Hose Clamp	25mm	3.20	3.68
13032	Stainless Steel Hose Clamp	40mm	3.80	4.37
13033	Stainless Steel Hose Clamp	50mm	3.80	4.37



## GALVANISED SADDLES

Part Number	Product Description	Nominal Size	NZ List Price	Retail Inc GST
13041	Galvanised Saddle (50 per box)	40mm	3.20	3.68
13042	Galvanised Saddle (50 per box)	50mm	3.40	3.91

## PVC SADDLES

Part Number	Product Description	Nominal Size	NZ List Price	Retail Inc GST
130411	PVC Saddle	40mm	4.20	4.83
130421	PVC Saddle	50mm	5.30	6.10



## EXPANSION PLUGS

Part Number	Product Description	Nominal Size	NZ List Price	Retail Inc GST
13085	Expansion Plugs	25mm	29.40	33.81
13086	Expansion Plugs	32mm	30.60	35.19
13087	Expansion Plugs	40mm	33.90	38.98
13088	Expansion Plugs	50mm	35.90	41.29



## SCREEN-FOOT VALVE

Part Number	Product Description	Nominal Size	NZ List Price	Retail Inc GST
14420	Thread	20mm	35.40	40.71



## IN LINE STRAINER

Part Number	Product Description	Nominal Size	NZ List Price	Retail Inc GST
14560	In-Line Strainer		315.00	362.25



## PLUMBING ACCESSORIES

Part Number	Product Description	Nominal Size	NZ List Price	Retail Inc GST
13051	Teflon Tape	12mm x 10m Roll	3.40	3.91
13056	Emerkit Blister Pack - 2 sets	150g per set	31.40	36.11
13055	Emerkit box of 8 sets (2 part putty)		154.00	177.10
13501	Silgraze and silicon sealant	300ml	25.30	29.10



## FlowVis VALVE

Part Number	Product Description	Ref page	Nominal Size	NZ List Price	Retail Inc GST
132312	FlowVis Valve 50/65mm	17	50/65mm	465.00	534.75
132313	FlowVis Valve 40 mm	-	40 mm	490.00	563.50
132314	FlowVis Service Kit	-		420.00	483.00



## COMPACT BALL VALVE

Part Number	Product Description	Nominal Size	Carton Qty	NZ List Price	Retail Inc GST
14025	Socket	25mm	36	29.50	33.93
14040	Socket	40mm	18	52.00	59.80
14050	Socket	50mm	12	64.00	73.60



## NON-RETURN (SWING CHECK)

Part Number	Product Description	Nominal Size	Carton Qty	NZ List Price	Retail Inc GST
14640	Swing Check Valve	40mm	18	58.00	66.70
14650	Swing Check Valve	50mm	18	71.00	81.65



## PUSH/PULL VALVES 250 kPa

Part Number	Product Description	Nominal Size	Carton Qty	NZ List Price	Retail Inc GST
147400	Push / Pull Valve	40mm	40	56.50	64.98
147500	Push / Pull Valve	50mm	30	74.50	85.68



## FLOW CHECK VALVE - Spring Loaded

Part Number	Product Description	Ref page	Nominal Size	Carton Qty	NZ List Price	Retail Inc GST
14641	Flow Check Valve 180 deg Straight	17	40/50mm	20	79.50	91.43
146419	Flow Check Valve 90 deg Elbow	17	40/50mm	20	76.50	87.98
14651	Flow Check Valve 180 deg Straight	17	50/65mm	20	93.50	107.53
146519	Flow Check Valve 90 deg Elbow	17	50/65mm	20	93.00	106.95



## FULFLO VALVES 200 kPa - with Teflon encapsulated seals

Part Number	Product Description	Ref page	Nominal Size	Carton Qty	NZ List Price	Retail Inc GST
14842	2 Way Valve	17	40mm	24	59.00	67.85
14843	3 Way Valve	17	40mm	24	65.50	75.33



## FPI VALVES 400 kPa

Part Number	Product Description	Ref page	Nominal Size	Carton Qty	NZ List Price	Retail Inc GST
148503	2 Way Valve threaded with half unions (6 Bar)	18	25/32mm	20	64.50	74.18
148505	2 Way Valve slip fit (6 Bar)	18	25/32mm	20	60.00	69.00
148500	3 Way Valve threaded with half unions (6 Bar)	18	25/32mm	20	82.50	94.88
148502	3 Way Valve slip fit (6 Bar)	18	25/32mm	20	59.00	67.85
14856	2 Way Valve (4 Bar)	18	50/65mm	20	82.50	94.88
14860	3 Way Valve 360° (4 Bar)	18	50/65mm	20	88.00	101.20
14862	2 Way Valve (ALT)	-	40/50mm	20	76.50	87.98
14863	3 Way Valve 360° (ALT)	-	40/50mm	20	78.50	90.28
14892	2 Way Valve threaded with half unions (4 Bar)	-	65/80mm	20	169.00	194.35
14893	3 Way Valve threaded with half unions (4 Bar)	-	65/80mm	20	191.00	219.65
148564	2 Way Valve Actuated Type (4 Bar)	-	50/65mm	20	88.00	101.20
148584	3 Way Valve Actuated Type (4 Bar)	-	50/65mm	20	99.00	113.85



## VALVE ACTUATORS

Part Number	Product Description	Ref page	NZ List Price	Retail Inc GST
3652607	FPI Valve Motorised Actuator	18	520.00	598.00
36526521485	Intellivalve Valve Actuator	-	730.00	839.50
3652613	Power Adaptor 24V 1A	-	65.50	75.33
3652612	Power Adaptor 24V 2A	-	159.00	182.85

## MULTIPOINT VALVES

Part Number	Product Description	Filters	Ref page	NZ List Price	Retail Inc GST
<b>MPV 40mm Threaded Top Mount</b>					
228042	TM 40mm MPV c/w BU	Micron S500 Filter Micron S600 Micron S700 SD up to SD700  Thermoplastic T400 Threaded Thermoplastic T450 Threaded Thermoplastic T500 Threaded Thermoplastic T500 Threaded  Hydron F400 Threaded Hydron F450 Threaded Hydron F500 Threaded Hydron F600 Threaded Hydron F700 Threaded  Micron S600 Premium Filter Micron S700 Premium Filter DeepBed SD600 w 4" neck DeepBed SD500 w 4" neck  Micron S600 Premium Filter Micron S700 Premium Filter DeepBed SD600 w 4" neck	19	350.00	402.50
<b>MPV 40mm Clamp Top Mount</b>					
22804455	TM 40mm 6" Clamp MPV MK3	Exotuf E400 Exotuf E500 Exotuf E600		350.00	402.50
22804456	TM 40mm 6" Clamp MPV MK3	Micron S600e Clamp'		350.00	402.50
2280422	TM 40mm MPV Clamp w BU 8 Bolt Long	Thermoplastic T450 Clamp type Thermoplastic T500 Clamp type Thermoplastic T600 Clamp type Exotuf E400 Clamp Exotuf E450 Clamp		350.00	402.50
22804221	TM 40mm MPV Clamp w B/U 6 Bolt Short	Exotuf E500 Clamp Micron S600e 6" Clamp Band		350.00	402.50
22804416	TM 40mm MPV Thread MK3			350.00	402.50
2280262	TM 40mm 5 way valve	DeepBed SD400 w 4" neck DeepBed SD500 w 4" neck DeepBed SD600 w 4" neck		350.00	402.50
22804456	MPV 40mm TM 6" Clamp Type MK3 WCO (ALT)	Micron S600e 6" Clamp Filter		350.00	402.50
<b>MPV 40mm Side Mount</b>					
2290421	SM 40mm MPV	Micron SM400 8" neck Micron SM450 8" neck Micron SM500 8" neck w 40mm Micron SM600 8" neck w 40mm	19	350.00	402.50
2290491	SM 40 mm MK2 MPV c/w P.Kit	Micron SM600 8" neck w 50mm		350.00	402.50
22904210	MPV Kit 40mm c/w Sweep Elbow	Micron SM400 8" neck w 40mm Micron SM450 8" neck w 40mm Micron SM500 8" neck w 40mm Micron SM600 8" neck w 40mm		350.00	402.50
2390495	DE SM 40mm MPV c/w P Kit	Astra DE P2027		350.00	402.50
2290421	SM 40mm MPV	SMDD600 8" neck w 40mm		350.00	402.50
2290421	SM 40mm MPV	Micron SMD600 8" w 40mm port		350.00	402.50
2290491	SM 40mm MK2 c/w P Kit	SMSM600		350.00	402.50
22905130	SM 50mm MPV	Exotuf Pls SME602		500.00	575.00





## MULTIPOINT VALVES

Part Number	Product Description	Filters	Ref page	NZ List Price	Retail Inc GST
<b>MPV 50mm Top Mount</b>					
228053	TM 50mm MPV c/w BU	Hydron F702 Filter		500.00	575.00
228042	TM 40mm MPV c/w BU	Micron TMF600		350.00	402.50
228058	TM 50mm 8" Clamp MK2	Exotuf Plus E702 Exotuf Plus E602 Exotuf E602, Micron S602e 8" Clamp		500.00	575.00
228053	TM 50mm MPV c/w BU	Micron S602 Micron S702 Micron S750 Micron S800 Micron S900 Micron S1200 Micron TMF600 DeepBed SD750 Deepbed SD900		500.00	575.00
62101	Micron valve tank gasket 50mm			98.00	112.70
<b>MPV 50mm Side Mount</b>					
229052	SM 50mm MPV	Aquabiome 900		500.00	575.00
2290512	SM 50mm MPV	Micron SM700 8" neck w 50mm	19	500.00	575.00
	SM 50mm MPV	Micron SM750 8" neck			
	SM 50mm MPV	Micron SM800 8" neck			
	SM 50mm MPV	Micron SM900 8" neck			
22905120	MPV Kit 50mm c/w Sweep Elbow	Micron SM700 8" neck w 50mm Micron SM750 8" neck w 50mm Micron SM800 8" neck w 50mm Micron SM900 8" neck w 50mm		500.00	575.00
2290512	SM 50mm MPV	Micron SMD750 8" w 50mm port SMDD750 8" neck w 50mm SMDD900 8" neck w 50mm SMDD1050 w 50mm connection		500.00	575.00
23905832	DE SM 50mm MPV c/w P Kit	Astra DE P2036		500.00	575.00
23905932	DE SM 50mm MPV c/w P Kit	Astra DE P2048		500.00	575.00
<b>MPV 65mm Top Mount</b>					
2280600	TM 65mm MPV w B Union	Micron S1050 w 12" neck Micron S1200 w 12" neck		880.00	1,012.00
<b>MPV 65mm Side Mount</b>					
22905010	SM/SMD/SMDD 65mm MPV c/w P.Kit	Micron SM1050 65mm w 12" neck Micron SM1200 65mm w 12" neck		880.00	1,012.00
2290501	SM 65mm MPV			880.00	1,012.00
<b>MPV 80mm Side Mount</b>					
2290820	SM 80mm MPV c/w P Kit	SMDD900 w 80mm connection SMDD1050 w 80mm connection SMDD1200 w 80mm connection SMDD1400 w 80mm connection		1,700.00	1,955.00
2290820	SM 80mm MPV c/w P Kit	Micron SM1050 w 80mm Micron SM1200 w 80mm Micron SM1400 w 80mm Micron SM1600 w 80mm		1,700.00	1,955.00
<b>MPV 80mm Top Mount</b>					
228800	TM 80mm MPV w B Union	Micron SD1200 - 16" neck Micron SD1400 - 16" neck		1,350.00	1,552.50
<b>MPV 100mm Top Mount</b>					
2291005	SM 100mm MPV c/w P Kit	Micron SM1600 w 100mm Micron SM1800 w 100mm Micron SM2000 w 100mm		3,350.00	3,852.50



## SWEEP ELBOW KITS FOR MICRON SIDE MOUNT SAND FILTERS

Part Number	Product Description	NZ List Price	Retail Inc GST
121558	Sweep elbow kit 40mm	40.80	46.92
121559	Sweep elbow kit 50mm	55.00	63.25

## PRESSURE GAUGES

Part Number	Product Description	Diameter	NZ List Price	Retail Inc GST
62109	Dry rear Mount 250 kPa	53mm	41.00	47.15
62161	Dry Bottom Mount 250 kPa	52.5mm	42.30	48.65
621630	Rear Mount 400 kPa	68.5mm	41.00	47.15
621632	Bottom Mount 400 kPa	68.5mm	48.00	55.20
621637	Bottom Mount 800 kPa	53mm	48.00	55.20
621625	Dry bottom mount 400kPa	53mm	48.00	55.20

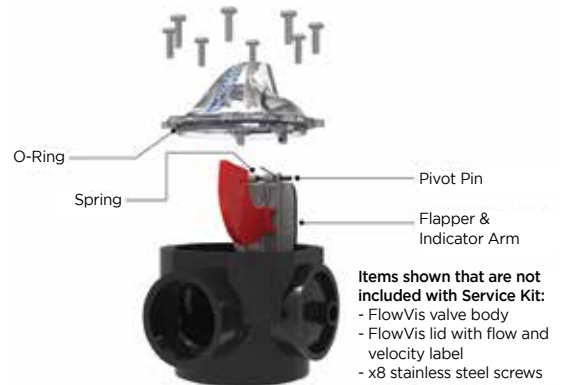
# Waterco Valves



## FlowVis VALVE

FlowVis® is a revolution in reliable flow measurement. It is the most advanced precision flow meter designed specifically for pools, spas, fountains, and water features.

The FlowVis is ideal to install in conjunction with a variable/multi speed pumps. This will enable accurate pump operating speed adjustments to ensure sufficient water flows to the pools filtration, sanitising and heating equipment



## FlowVis VALVE

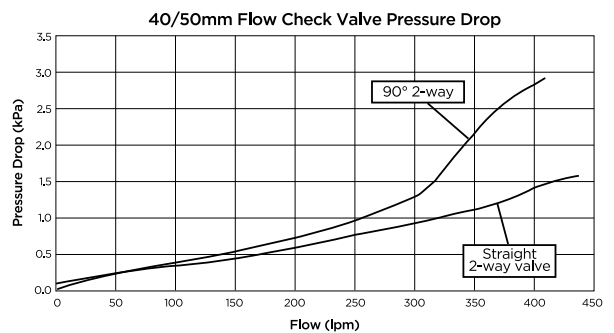
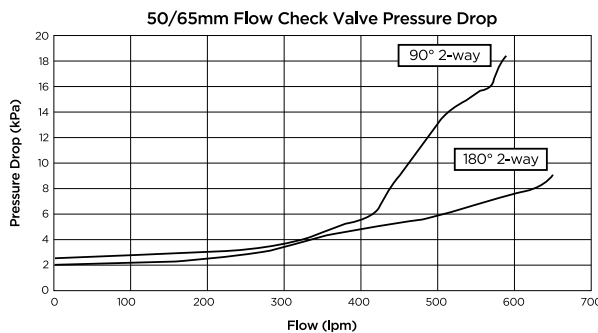
Part Number	Product Description	Nominal Size	NZ List Price	Retail Inc GST
132312	FlowVis Valve 50/65mm	50/65mm	465.00	534.75
132313	FlowVis Valve 40 mm	40 mm	490.00	563.50
132314	FlowVis Service Kit		420.00	483.00



## FLOW CHECK VALVE - Spring Loaded

Waterco's Flow Check valves have been designed to be simple to install, inspect and service.

- Ideal for both inlet and return lines.
- Eliminate the loss of prime on the suction side of a pump.
- Prevent the drain down of water towards pumps and filters.
- Prevent water flow in an unwanted direction.



## FLOW CHECK VALVE - Spring Loaded

Part Number	Product Description	Nominal Size	NZ List Price	Retail Inc GST
14641	Flow Check Valve 180 deg Straight	40/50mm	20 79.50	91.43
146419	Flow Check Valve 90 deg Elbow	40/50mm	20 76.50	87.98
14651	Flow Check Valve 180 deg Straight	50/65mm	20 93.50	107.53
146519	Flow Check Valve 90 deg Elbow	50/65mm	20 93.00	106.95



## FULFLO VALVES

Fulflo 40mm two way or three way valves feature a Teflon™ encapsulated seal that offers reliable sealing and smooth operation without the need for lubrication.

The Fulflo valve body is manufactured with strong & durable PVC and is compatible with all PVC pipe that will ensure a quick setting and strong sealing bond. The Fulflo's handle, locking ring, lid & diverter are constructed from glass filled Polypropylene for improved durability.

## FULFLO VALVES 200 kPa - with Teflon encapsulated seals

Part Number	Product Description	Nominal Size	Carton Qty	NZ List Price	Retail Inc GST
14842	2 Way Valve	40mm	24	59.00	67.85
14843	3 Way Valve	40mm	24	65.50	75.33



## FPI VALVES 400kPa

Waterco FPI Valves are designed for optimal hydraulic flow and engineered to be maintenance free.

- Teflon™ seals\*
- Quick installation
- UPVC and ABS construction
- Available in 2 and 3 way configurations
- 316 grade stainless steel components
- 400 to 600kPa pressure rated

## FPI VALVES 400 kPa

Part Number	Product Description	Nominal Size	Carton Qty	NZ List Price	Retail Inc GST
148503	2 Way Valve threaded with half unions (6 Bar)	25/32mm	20	64.50	74.18
148505	2 Way Valve slip fit (6 Bar)	25/32mm	20	60.00	69.00
148500	3 Way Valve threaded with half unions (6 Bar)	25/32mm	20	82.50	94.88
148502	3 Way Valve slip fit (6 Bar)	25/32mm	20	59.00	67.85
14856	2 Way Valve (4 Bar)	50/65mm	20	82.50	94.88
14860	3 Way Valve 360° (4 Bar)	50/65mm	20	88.00	101.20
14862	2 Way Valve (ALT)	40/50mm	20	76.50	87.98
14863	3 Way Valve 360o (ALT)	40/50mm	20	78.50	90.28
14892	2 Way Valve threaded with half unions (4 Bar)	65/80mm	20	169.00	194.35
14893	3 Way Valve threaded with half unions (4 Bar)	65/80mm	20	191.00	219.65
148564	2 Way Valve Actuated Type (4 Bar)	50/65mm	20	88.00	101.20
148584	3 Way Valve Actuated Type (4 Bar)	50/65mm	20	99.00	113.85



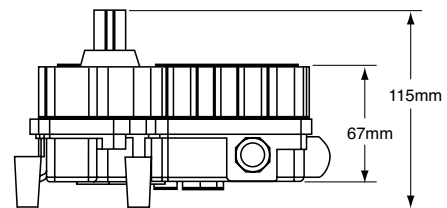
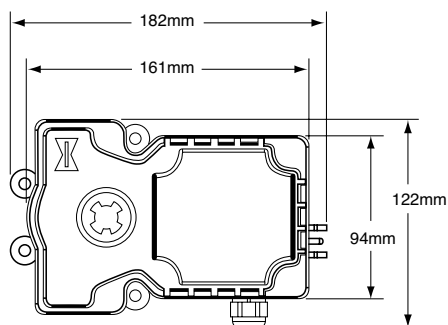
## FPI VALVE ACTUATOR

Provides automatic control of valves for water features, pool/spa combinations, solar collectors and pool cleaners.

- Designed to operate 2-way and 3-way FPI valves
- Adjustable cam rotates diverter valves to multiple degree settings
- Retro-fits into all pool/spa control systems

### Specifications

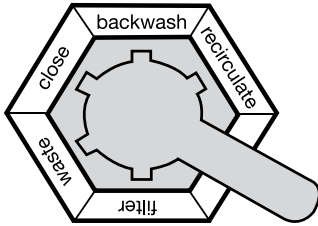
Voltage	24 VAC
Amps	0.65
Torque	250 inch pounds (288 kilograms force centimeter)
Material	Housing - Noryl; Gears - steel
Grease	MoS2 Lubricant
Cord length	15' (457.2cm)
Rated	Outdoor use



## FPI VALVES MOTORISED ACTUATOR

Part Number	Product Description	NZ List Price	Retail Inc GST
3652607	FPI Valve Motorised Actuator	520.00	598.00

# Multiport Valves



## WATERCO MULTIPORT VALVES

Constructed from heavy duty ABS and GFPP, Waterco Multiport valves are designed for maximum performance and working pressures.

- 6-position multiple valve positions
- Top and Side Mount configurations
- Rated at 400kPa

### MULTIPORT VALVE MAIN FUNCTIONS

- |              |   |  |
|--------------|---|--|
| Filter       | - | downward flow through the filter bed to outlet |
| Backwash     | - | upward flow through the filter bed to waste    |
| Rinse        | - | downward flow through the filter bed to waste  |
| Waste        | - | bypass the filter bed to waste                 |
| Re-circulate | - | bypass the filter bed to outlet                |
| Closed       | - | no flow to the filter                          |

Model	Max flow rate	Body	Lid	Handle	Rotor	Hardware	Union Nut	Union Tail
40mm MPV	320	ABS	ABS	ABS	GF Noryl	SS304	ABS	PVC
50mm MPV	510	ABS	ABS	ABS	GF Noryl	SS304	ABS	PVC
65mm MPV	780	ABS	GFPP	ABS	GF Noryl	SS304	ABS	PVC
80mm MPV	1080	GFPP	GFPP	ABS	GF Noryl	SS304	ABS	PVC

### Warranty

Waterco Multiport valves are covered by 1 year warranty.

## MULTIPORT VALVES

Part Number	Product Description	Filters	NZ List Price	Retail Inc GST
2290421	SM 40mm MPV	Micron SM400 8" neck	350.00	402.50
	SM 40mm MPV	Micron SM450 8" neck		
	SM 40mm MPV	Micron SM500 8" neck w 40mm		
	SM 40mm MPV	Micron SM600 8" neck w 40mm		
2290491	SM 40mm MK2 MPV c/w P.Kit	Micron SM600 8" neck w 50mm	350.00	402.50
2290512	SM 50mm MPV	Micron SM700 8" neck w 50mm	500.00	575.00
	SM 50mm MPV	Micron SM750 8" neck		
	SM 50mm MPV	Micron SM800 8" neck		
	SM 50mm MPV	Micron SM900 8" neck		



## MULTICYCLONE 70XL CENTRIFUGAL FILTER

Part Number	Product Description	Ref page	Nominal Size	NZ List Price	Retail Inc GST
200394	MultiCyclone 70 XL	21	100mm	5,500.00	6,325.00
239070	MultiCyclone XL70 Auto Purge System 1 act	-		1,450.00	1,667.50

## MULTICYCLONE



Part Number	Product Description	Ref page	Nominal Size	NZ List Price	Retail Inc GST
200371	MultiCyclone 12	-	40mm	580.00	667.00
200370	MultiCyclone 16	23	50mm	790.00	908.50
200385	MultiCyclone PRO	-	50mm	1,150.00	1,322.50
2003850	MultiCyclone PRO 7 Bar		50mm	1,100.00	1,265.00
239073	MultiCyclone 12/16 Auto Purge System 1 actuator	-		1,200.00	1,380.00
239072	MultiCyclone 12/16 Auto Purge System 2 actuators	-		1,800.00	2,070.00



## MULTICYCLONE PLUS & ULTRA CENTRIFUGAL FILTER

Part Number	Product Description	Ref page	Nominal Size	NZ List Price	Retail Inc GST
200376	MultiCyclone 12 Plus C40 Cartridge	23	40mm	910.00	1,046.50
200377	MultiCyclone 16 Plus C40 Cartridge	23	50mm	1,050.00	1,207.50
200378	MultiCyclone 12 Ultra C75 Cartridge		40mm	1,050.00	1,207.50
200379	MultiCyclone 16 Ultra C75 Cartridge		50mm	1,150.00	1,322.50

MultiCyclone Accessories		Ref page	NZ List Price	Retail Inc GST
200372	MultiCyclone Stand MKII - suitable for Plus & Ultra	-	114.00	131.10
2003730	MultiCyclone Stand over pump	-	274.00	315.10

# Multicyclone Centrifugal Filters



## MULTICYCLONE 70XL

The MultiCyclone 70XL is an evolution of Waterco's MultiCyclone technology. Waterco has specially created a commercial version by increasing its number of hydrocyclones to cater for the higher flow rates and redesigned to cope with the demanding requirements of commercial installations.

The MultiCyclone 70XL has been specially created to handle larger water capacities for commercial and industrial application.

- Maximum flow rate of 90m<sup>3</sup>/hr
- Suitable for new and existing commercial installations

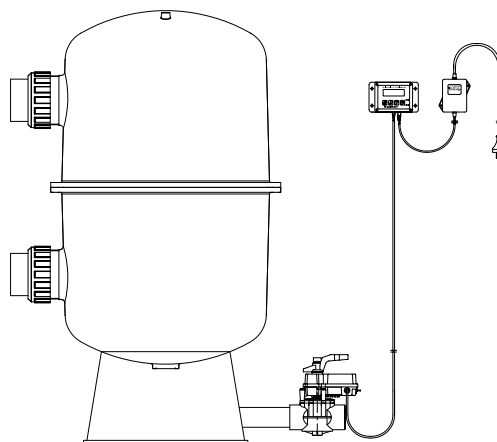
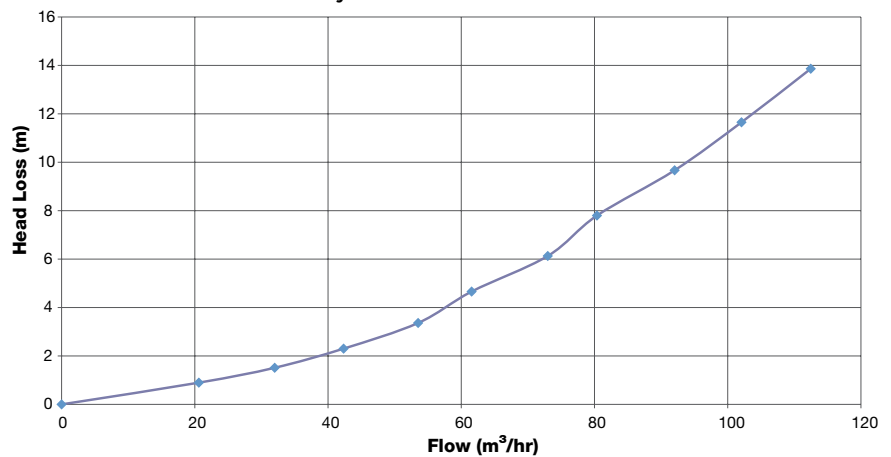
### Specifications

Model	Connection Ports	Minimum Flow	Maximum Flow	Maximum Pressure
MultiCyclone 70XL Commercial	100mm	36m <sup>3</sup> /hr	90m <sup>3</sup> /hr	3.5Bar/50psi/350kPa

### Dimensions (mm)

Model	A	B	C	D	E	F	G	H	I
MultiCyclone Commercial Pre-Filter	710 mm	623.3 mm	542.5 mm	498.9 mm	400 mm	543.6 mm	498.9 mm	780.7 mm	1353.4 mm

MultiCyclone 70XL Head Loss Curve



MultiCyclone 12/16 Auto Purge System 1 actuator

### Warranty

MultiCyclone XL is covered by a 2 year warranty and a 12 month warranty on labour.

## MULTICYCLONE 70XL CENTRIFUGAL FILTER

Part Number	Product Description	Nominal Size	NZ List Price	Retail Inc GST
200394	MultiCyclone 70 XL	100mm	5,220.10	6,003.12
239070	MultiCyclone XL70 Auto Purge System 1 act		1,380.00	1,587.00

# Minimise filter maintenance and save water

## MULTI CYCLONE

### CENTRIFUGAL PRE-FILTRATION

Waterco's award-winning MultiCyclone uses the most advanced centrifugal technology to ensure high water quality and clarity.

An Australian innovation, the MultiCyclone is designed to capture up to 80 per cent of the incoming dirt load prior to the main filter, which significantly reduces filter maintenance and saves backwash water.



# Multicyclone Centrifugal Filters



## MULTICYCLONE 16

Waterco's award winning MultiCyclone is a brilliant pre-filtration device that works on the basis of centrifugal water filtration and is designed with no moving parts and no filter media to clean or replace.

- Minimises filter maintenance and saves water
- No filter media to clean or replace
- Suitable for new and existing installations

### Specifications

Model	Hydrocyclones	Connection Ports	Minimum Flow	Maximum Flow	Maximum Pressure
MultiCyclone 16	16	50mm	50lpm	500lpm	350kPa (50psi)
MultiCyclone PRO	16	50mm	50lpm	500lpm	690kPa (100psi)



## MULTICYCLONE

Part Number	Product Description	Nominal Size	NZ List Price	Retail Inc GST
200370	MultiCyclone 16	50mm	790.00	908.50
200385	MultiCyclone PRO	50mm	1,150.00	1,322.50
2003850	MultiCyclone PRO 7 Bar	50mm	1,100.00	1,265.00
239073	MultiCyclone 12/16 Auto Purge System 1 actuator		1,200.00	1,380.00
239072	MultiCyclone 12/16 Auto Purge System 2 actuators		1,800.00	2,070.00



## MULTICYCLONE PLUS/ULTRA MULTICYCLONE PLUS

MultiCyclone Plus/Ultra combines centrifugal and cartridge filtration into one streamline housing, creating an ultra compact filtration system that can be vertically installed on a pool pump.

- Dual stage filtration
- Ultra compact
- Ease of maintenance

### Specifications

Model	Hydrocyclones	Connection Ports	Minimum Flow	Maximum Flow	Filter Area	Maximum Pool Size	Maximum Pressure
MultiCyclone 12 Plus	12	40mm / 1 1/2"	40lpm	152lpm	3.7m <sup>2</sup> / 40 sq.ft	73,000l	350kPa (50psi)
MultiCyclone 16 Plus	16	50mm / 2"	50lpm	152lpm	3.7m <sup>2</sup> / 40 sq.ft	73,000l	350kPa (50psi)
MultiCyclone 12 Ultra	12	40mm / 1 1/2"	40lpm	225lpm	6.9m <sup>2</sup> / 75 ft <sup>2</sup>	108,000l	350kPa (50psi)
MultiCyclone 16 Ultra	16	50mm / 2"	50lpm	280lpm	6.9m <sup>2</sup> / 75 ft <sup>2</sup>	134,000l	350kPa (50psi)

Maximum flow is limited by the surface area of the filter cartridge.



## MULTICYCLONE PLUS & ULTRA CENTRIFUGAL FILTER

Part Number	Product Description	Nominal Size	NZ List Price	Retail Inc GST
200376	MultiCyclone 12 Plus C40 Cartridge	40mm	910.00	1,046.50
200377	MultiCyclone 16 Plus C40 Cartridge	50mm	1,050.00	1,207.50
200378	MultiCyclone 12 Ultra C75 Cartridge	40mm	1,050.00	1,207.50
200379	MultiCyclone 16 Ultra C75 Cartridge	50mm	1,150.00	1,322.50

### MultiCyclone Accessories

200372	MultiCyclone Stand MKII - suitable for Plus & Ultra		114.00	131.10
2003730	MultiCyclone Stand over pump		274.00	315.10





## TRIMLINE LEAF TRAPPER - Bag not included

Part Number	Product Description	Ref page	NZ List Price	Retail Inc GST
3761053	Trimline C50 Leaf Trapper - without filter bag	26	780.00	897.00
36519265	800 Micron Filter Bag	-	52.50	60.38

## TRIMLINE CARTRIDGE FILTERS (10 year conditional tank warranty)

Part Number	Product Description	Ref page	NZ List Price	Retail Inc GST
21450	Trimline CC50	26 (3.5 Bar)	495.00	569.25
21475	Trimline CC75	26 (3.5 Bar)	610.00	701.50
214100	Trimline CC100	26 (3.5 Bar)	690.00	793.50
62048	Trimline Filter Cartridge CC50	26	155.00	178.25
62049	Trimline Filter Cartridge CC75	26	242.00	278.30
62050	Trimline Filter Cartridge CC100	26	234.00	269.10

## OPAL CARTRIDGE FILTERS (10 year conditional warranty) 2.5 Bar pressure rating

Part Number	Product Description	Ref page	Nominal Size	NZ List Price	Retail Inc GST
2171355	Opal Cartridge Filter 2.5 Bar	27	135sq.ft	870.00	1,000.50
2171805	Opal Cartridge Filter 2.5 Bar	27	180sq.ft	1,000.00	1,150.00
2172252	Opal Cartridge Filter 2.5 Bar	27	225sq.ft	1,100.00	1,265.00
2172702	Opal Cartridge Filter 2.5 Bar	27	270sq.ft	1,350.00	1,552.50
701039	Opal Filter Cartridge Element	27	135sq.ft	390.00	448.50
701038	Opal Filter Cartridge Element	27	180sq.ft	485.00	557.75
701040	Opal Filter Cartridge Element	27	225sq.ft	650.00	747.50
701041	Opal Filter Cartridge Element	27	90sq.ft	256.00	294.40
701041+ 701038	Opal Filter Cartridge Element	27	270sq.ft		



## FULFLO TRI CARTRIDGE FILTERS (5 year conditional warranty) 3.5 Bar pressure rating

Part Number	Product Description	Ref page	Nominal Size	NZ List Price	Retail Inc GST
2165500	Fulflo Tri-Cartridge Filter C500	28	500 sq.ft	2,200.00	2,530.00
622810	Fulflo C300 Filter Cartridge [3 cartridges required]	28		340.00	391.00
622820	Fulflo C400 Filter Cartridge [3 cartridges required]	28		430.00	494.50
622830	Fulflo C500 Filter Cartridge [3 cartridges required]	28		480.00	552.00



## FULFLO PERL FILTERS (5 year conditional warranty) 3.5 Bar pressure rating

Part Number	Product Description	Ref page	Nominal Size	NZ List Price	Retail Inc GST
23048	Fulflo Perl 48 c/w 50mm MPV	28	48sq.ft	3,150.00	3,622.50



## REPLACEMENT FILTER CARTRIDGES

Part Number	Product Description	Height (mm)	Diameter (mm)	NZ List Price	Retail Inc GST
<b>Waterco Fulflo Nally</b>					
62281	Astra 100 sq.ft cartridge only	230	305	350.00	402.50
62282	Astra 180 sq.ft cartridge only	500	305	405.00	465.75
62283	Astra 200 sq.ft cartridge only	430	305	460.00	529.00
<b>Opal</b>					
701041	90 Cartridge only	218	262	256.00	294.40
701032	110 Cartridge only	431	262	295.00	339.25
701033	120 Cartridge only	431	262	320.00	368.00
701039	135 Cartridge only	431	262	390.00	448.50
701034	150 Cartridge only	431	262	425.00	488.75
701038	180 Cartridge only	431	262	485.00	557.75
701040	225 Cartridge only	549	262	650.00	747.50
62040	C25 (also Waterco trimline)		185	109.00	125.35
62042	C50 old style also trimline		185	159.00	182.85
62044	C75 old style also trimline		185	197.00	226.55
<b>Waterco</b>					
62040	C25 Trimline cartridge only (30 micron)	247	185	109.00	125.35
62042	C50 Trimline cartridge only (30 micron)	496	185	159.00	182.85
62048	CC50 Trimline compact cartridge (30 micron)	385	185	155.00	178.25
62044	C75 Trimline cartridge only (30 micron)	747	185	197.00	226.55
62049	CC75 Trimline compact cartridge (30 micron)	496	185	242.00	278.30
62050	CC100 Trimline compact cartridge (30 micron)	747	185	234.00	269.10
62047	CC150 Trimline compact cartridge (30 micron)	747	185	350.00	402.50
<b>Fulflo Tri Cartridges</b>					
622810	100sq.ft TC300	798	158	340.00	391.00
622820	134sq.ft TC400	798	158	430.00	494.50
622830	167sq.ft TC500	798	158	480.00	552.00
<b>MultiCyclone Cartridges</b>					
62451	40sq.ft cartridge only	197	160	146.00	167.90
62453	75sq.ft cartridge only	380	160	207.00	238.05



### PLEATED FILTER CARTRIDGES

The Pleated Filter Cartridges are fabricated from pleated reusable polyester fabric.

The media has been pleated to a large surface area in order to maximise the cartridge dirt holding capacity and extend the time between cleaning.

Material : Polyester Fabric material, Vinyl Plastisol end caps, Polypropylene core  
 Operating Temperature : 4°C to 50°C  
 Maximum Pressure Drop : 20kPa backwashing to be 100% effective.

# Filters - Skid Pack, Cartridge Perl Filters

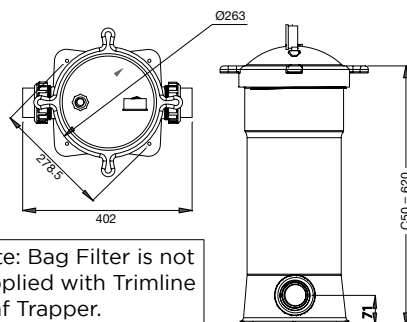


## TRIMLINE LEAF TRAPPER

The Trimline Leaf Trapper incorporates a high quality and durable bag filter that enables high volume capture of leaves and debris. The lid is see-through plastic, for quick visual inspection of the Leaf Trapper's filter bag. The Trimline Leaf Trapper is ideal for installation prior to a pool's finer filtration system, especially near areas prone to high leaf and debris accumulation. It is compact and economical, perfect for negative edge pools and in-floor cleaning systems.

- Large filter bag
- One piece mould construction
- Able to withstand up to 350kPa (50psi)

### Dimensions (mm)



Note: Bag Filter is not supplied with Trimline Leaf Trapper.

### Trimline Leaf Trapper Specification

LEAF TRAPPER SPECIFICATIONS		
Max Flow Rate		340lpm
Required clearance for servicing		530mm
Maximum pressure		350kPa
Maximum temperature		40°C
FILTER BAG SPECIFICATIONS		
Surface Area		0.17m <sup>2</sup>
Diameter		178mm
Length		419mm
FILTER BAG PRODUCT CODE		
36519265	Manufactured with Nylon	800 microns

## TRIMLINE LEAF TRAPPER - Bag not included

Part Number	Product Description	NZ List Price	Retail Inc GST
3761053	Trimline C50 Leaf Trapper - without filter bag	739.30	850.20
36519265	800 Micron Filter Bag	50.10	57.62



## TRIMLINE CARTRIDGE FILTERS

Trimline Cartridge Filters are compact, economical filters designed to effectively filter out suspended solids from your pool.

The Pleated Filter Cartridges are fabricated from pleated reusable polyester fabric. The media has been pleated in order to maximise the cartridge dirt holding capacity and extend the time between cleaning.

### Specifications

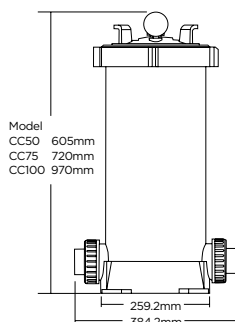
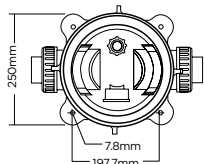
Product Description	Filter Area		Max. Flow Rate		Working Pressure		Pool Size		Overall Weight
	m <sup>2</sup>	ft <sup>2</sup>	lpm	m <sup>3</sup> /hr	kPa	psi	L	m <sup>3</sup>	kg
Trimline CC50	4.6	50	190	11.4	350	50	68,400	68.4	8.6
Trimline CC75	6.9	75	280	16.8	350	50	100,800	100.8	10.5
Trimline CC100	9.3	100	380	22.8	350	50	136,800	136.8	14.0

### Warranty

Waterco is proud to show its absolute confidence in its range of Trimline cartridge filters by offering a 10 (5+5) tank warranty and 1 year warranty on all other components.

Commercial applications attract a 1 year tank warranty.

### Dimensions (mm)



## TRIMLINE CARTRIDGE FILTERS (10 year conditional tank warranty)

Part Number	Product Description	NZ List Price	Retail Inc GST
21450	Trimline CC50	(3.5 Bar) 495.00	569.25
21475	Trimline CC75	(3.5 Bar) 610.00	701.50
214100	Trimline CC100	(3.5 Bar) 690.00	793.50
62048	Trimline Filter Cartridge CC50	155.00	178.25
62049	Trimline Filter Cartridge CC75	242.00	278.30
62050	Trimline Filter Cartridge CC100	234.00	269.10

# Filters - Skid Pack, Cartridge Perl Filters



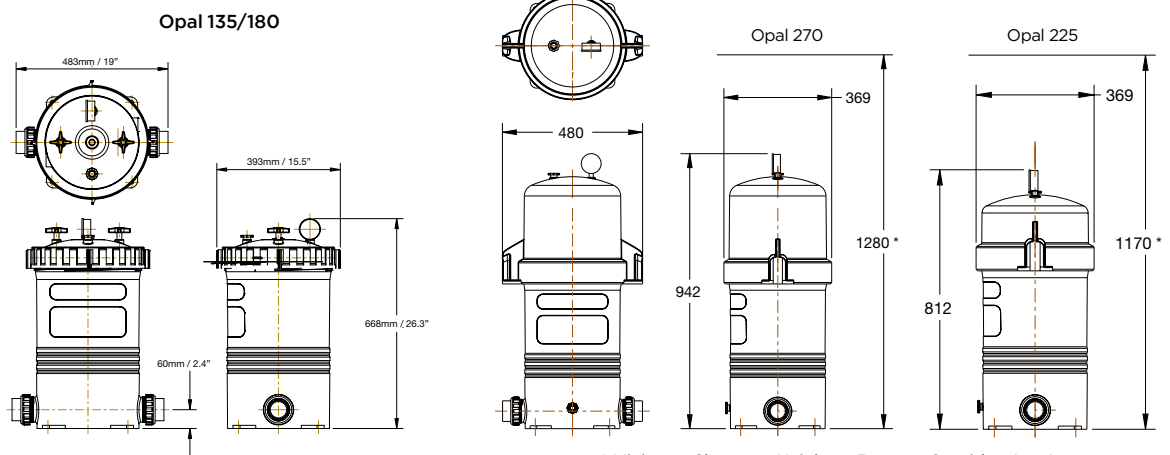
## OPAL CARTRIDGE FILTERS

Opal cartridge filters are designed to house an extra large filter cartridge, maximising its dirt holding capacity and minimising filter maintenance. The filter's ergonomic lid allows easy access to the filter cartridge for removal, cleaning and installation in a matter of minutes.

### Technical Specifications

Model	Filter Area		Max Flow Rate lpm	Working Pressure		Max Pool Size L
	m <sup>2</sup>	ft <sup>2</sup>		kPa	psi	
Opal 135	12.5	135	510	250	50	183,600
Opal 180	16.7	180	510	250	50	183,600
Opal 225	20.9	225	510	250	50	183,600
Opal 270	25.1	270	510	250	50	183,600

### Dimensions



\* Minimum Clearance Height to Remove Cartridge (mm)

## OPAL CARTRIDGE FILTERS (10 year conditional warranty) 2.5 Bar pressure rating

Part Number	Product Description	Nominal Size	NZ List Price	Retail Inc GST
2171355	Opal Cartridge Filter 2.5 Bar	135sq.ft	870.00	1,000.50
2171805	Opal Cartridge Filter 2.5 Bar	180sq.ft	1,000.00	1,150.00
2172252	Opal Cartridge Filter 2.5 Bar	225sq.ft	1,100.00	1,265.00
2172702	Opal Cartridge Filter 2.5 Bar	270sq.ft	1,350.00	1,552.50
701039	Opal Filter Cartridge Element	135sq.ft	390.00	448.50
701038	Opal Filter Cartridge Element	180sq.ft	485.00	557.75
701040	Opal Filter Cartridge Element	225sq.ft	650.00	747.50
701041	Opal Filter Cartridge Element	90sq.ft	256.00	294.40
701041+ 701038	Opal Filter Cartridge Element	270sq.ft		

# Filters - Skid Pack, Cartridge Perl Filters



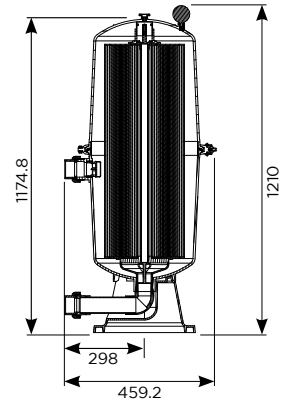
## FULFLO TRI CARTRIDGE FILTERS

Fulflo Tri-Cartridge filters contain three individual pleated filter cartridges which maximize dirt holding capacity, minimize filter maintenance that results in significant water savings'

### Specifications

Model No.	Filter Area	Filter Area	Design Flow Rate	Max. Pool Size	Max. Working
	sq.ft.	m <sup>2</sup>	lpm	L	
2165300	300	28	426	152,640	350kPa
2165400	400	37	510	183,600	350kPa
2165500	500	46	510	183,600	350kPa

### Dimensions



## FULFLO TRI CARTRIDGE FILTERS (5 year conditional warranty) 3.5 Bar pressure rating

Part Number	Product Description	Nominal Size	NZ List Price	Retail Inc GST
2165500	Fulflo Tri-Cartridge Filter C500	500 sq.ft.	2,200.00	2,530.00
622810	Fulflo C300 Filter Cartridge [3 cartridges required]		340.00	391.00
622820	Fulflo C400 Filter Cartridge [3 cartridges required]		430.00	494.50
622830	Fulflo C500 Filter Cartridge [3 cartridges required]		480.00	552.00

## FULFLO PERL FILTERS



Built to endure the rigours and pressures of the outdoor environment, Fulflo Perl filter housings are made from specially engineered polymers that have been tested for durability and strength.

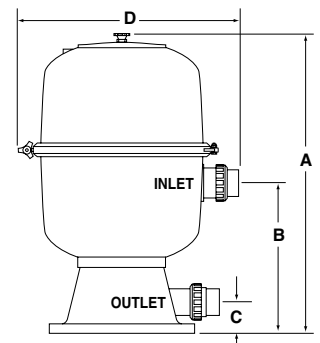
The heart of the Fulflo Perl filter is the septum which contains 10 polypropylene covered grids. The specific spacing of the grids is designed to prevent the Aquaperl from clogging whilst still allowing backwashing to be 100% effective.

### Specifications

Model Number	P2027	P2036	P2048
Filter Area (m <sup>2</sup> )	2.3	3.3	4.4
Average Flow Rate (lpm)	255	360	484
Max. Pool Size (L)	92,000	130,000	174,000
Filter Media (kg)	1.50	1.75	2.15

### Dimensions (mm)

Model	A	B	C	D
P2027	850mm	615mm	95mm	500mm
P2036	1050mm	615mm	95mm	500mm
P2048	1250mm	615mm	95mm	500mm



## FULFLO PERL FILTERS (5 year conditional warranty) 3.5 Bar pressure rating

Part Number	Product Description	Nominal Size	NZ List Price	Retail Inc GST
23048	Fulflo Perl 48 c/w 50mm MPV	48sq.ft.	3,150.00	3,622.50

# MICRON

Climate Care Certified Filtration



Micron ECO fish tail lateral system



Glass Pearls superior filter media

## Micron ECO Filters

The Micron S600 and S602 models come with a clamp band feature, which allows for versatile installation in any direction or position.

One significant advantage of the new S600 & S602 models is the use of injection moulding for manufacturing the inner tank. This manufacturing technique ensures improved consistency in the production process. By using injection moulding, Waterco can achieve a higher level of precision and uniformity in the inner tank's construction.

The injection moulding process used to manufacture the inner tank for both of the S600 and S602 models ensures improved consistency in the production process and achieves a higher level of uniformity in the inner tank's overall construction. Both the S600 and S602 models reflect Waterco's high quality-standards of durability with operating pressures of 350kPa.

## Glass Pearls

The water saving qualities of the Glass Pearls are attributed to their spherical smooth shape which equates to 20% less backwash water than sand, thus saving time and water.





## EXOTUF TOP MOUNT SAND FILTERS - 40mm clamp MPVs

Part Number	Product Description	Ref page	Nominal Size	NZ List Price	Retail Inc GST
22601660	Exotuf E400 Filter Clamp Type c/w 40mm MPV Clamp Type	31	16"	690.00	793.50
22601860	Exotuf E450 Filter Clamp Type c/w 40mm MPV Clamp Type	31	18"	750.00	862.50
22602060	Exotuf E500 Filter Clamp Type c/w 40mm MPV Clamp Type	31	20"	830.00	954.50
22602460	Exotuf E600 Filter Clamp Type c/w 40mm MPV Clamp Type	31	24"	980.00	1,127.00
22602466	Exotuf E602 Filter Clamp Type c/w 50mm MPV Clamp Type	31	24"	1,200.00	1,380.00



## MICRON ECO TOP MOUNT FILTERS with Fish Tail Laterals

Part Number	Product Description	Ref page	Nominal Size	NZ List Price	Retail Inc GST
22022	S500 c/w 40mm MPV	32	22"	1,000.00	1,150.00
22024	S600 c/w 40mm MPV	32	24"	1,250.00	1,437.50
22026	S600 c/w 40mm MPV Clamp Band	32	24"	1,250.00	1,437.50
220256	S602 c/w 50mm MPV Clamp Band	32	24"	1,500.00	1,725.00
220251	S602 c/w 50mm MPV	32	24"	1,500.00	1,725.00
22029	S702 c/w 50mm MPV		28"	1,800.00	2,070.00
22032	S800 c/w 50mm MPV		32"	2,350.00	2,702.50
22036	S900 c/w 50mm MPV	32	36"	3,050.00	3,507.50



## MICRON SIDE MOUNT SAND FILTERS with MPV With 8" Neck Ring & Multiport Valve 2.5 Bar pressure rating

Part Number	Product Description	Ref page	Nominal Size	NZ List Price	Retail Inc GST
22082415	SM600 8" neck c/w 40mm MPV	33	24"	1,750.00	2,012.50
22082416	SM600 8" neck c/w 50mm MPV	33	24"	2,150.00	2,472.50
220830152	SM750 8" neck c/w 50mm MPV	33	30"	2,750.00	3,162.50
220836152	SM900 8" neck c/w 50mm MPV	33	36"	4,000.00	4,600.00



## MICRON SIDE MOUNT SAND FILTERS Tanks only without Multiport Valve 2.5 Bar pressure rating

Part Number	Product Description	Ref page	Nominal Size	NZ List Price	Retail Inc GST
22000824	SM600 w/o MPV - 40mm ports, 8" neck filter	33	24"	1,500.00	1,725.00
22005824	SM600 w/o MPV - 50mm ports, 8" neck filter	33	24"	1,800.00	2,070.00
22000830	SM750 w/o MPV - 50mm ports, 8" neck filter	33	30"	2,450.00	2,817.50
22000836	SM900 w/o MPV - 50mm ports, 8" neck filter	33	36"	3,700.00	4,255.00



## AQUABIOME SKIDS

Part Number	Product Description	Ref page	NZ List Price	Retail Inc GST
220008165	Aquabiome SM400 (43L of Aquabiome media required)	34	3,350.00	3,852.50
220008245	Aquabiome SM600 (117L of Aquabiome media required)	34	3,800.00	4,370.00
220008365	Aquabiome SM900 (303L of Aquabiome media required)	34	7,200.00	8,280.00



## AQUABIOME MEDIA

Part Number	Product Description	Ref page	Nominal Size	NZ List Price	Retail Inc GST
3532520	Aquabiome media (20kg/40L bag)	35	per bag	350.00	402.50



## VORTEX CHAMBER SKIMMER

Part Number	Product Description	Ref page	NZ List Price	Retail Inc GST
3778900	Vortex Chamber Skimmer 2500 Small	35	700.00	805.00
3778901	Vortex Chamber Skimmer 4000 Medium	35	950.00	1,092.50
3778902	Vortex Chamber Skimmer 8000 Large	35	1,300.00	1,495.00

# Domestic Granular Filters



## EXOTUF TOP MOUNT SAND FILTERS

Designed to cope with the cyclic pressures of the modern day swimming pool, Exotuf filter vessels are precision injection moulded for superior strength and dependability.

Exotuf filters are ideal for pools equipped with in floor cleaning systems and high powered pumps.

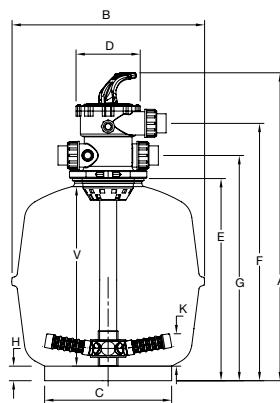
- Granular media filtration
- Pressure rated at 250kPa
- Multiport valve for ease of use
- Corrosion and UV resistant

### Technical Specification

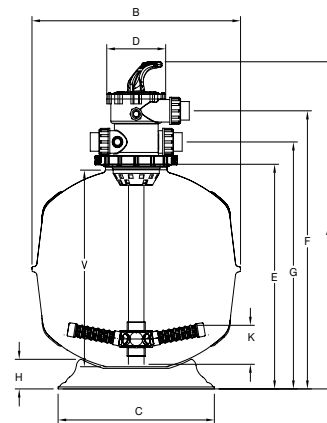
Model No.	Valve Size mm	Inner Dia. mm	Filter Area sq.m <sup>2</sup>	Bed Depth mm	Max. Flow* lpm	Max. Pool Size L	Min. Backwash lpm	Media Volume L	Glass Pearl Kg	Sand 16/30 Kg	Zeolite 1 - 2.2 Kg
E400	40	400	0.13	160	100	36,200	94	27	44	40	33
E450	40	450	0.16	250	117	45,000	119	51	85	75	60
E500	40	500	0.20	250	157	56,500	131	62	100	90	75
E600	40	600	0.28	250	226	81,000	189	89	144	130	107

### Dimensions (mm)

Model	Valve Size	A	B	C	D	E	F	G	H	V	K
E400	40	822	460	280	182	535	679	588	34	480	89
E450	40	887	504	280	180	595	709	649	30	530	112
E500	40	905	550	484	182	618	762	671	88	522	108
E600	40	942	650	484	182	655	799	708	88	560	115



E400



E600

## EXOTUF TOP MOUNT SAND FILTERS - 40mm clamp MPVs

Part Number	Product Description	Nominal Size	NZ List Price	Retail Inc GST
22601660	Exotuf E400 Filter Clamp Type c/w 40mm MPV Clamp Type	16"	690.00	793.50
22601860	Exotuf E450 Filter Clamp Type c/w 40mm MPV Clamp Type	18"	750.00	862.50
22602060	Exotuf E500 Filter Clamp Type c/w 40mm MPV Clamp Type	20"	830.00	954.50
22602460	Exotuf E600 Filter Clamp Type c/w 40mm MPV Clamp Type	24"	980.00	1,127.00
22602466	Exotuf E602 Filter Clamp Type c/w 50mm MPV Clamp Type	24"	1,200.00	1,380.00



# Domestic Granular Filters



## MICRON ECO TOP MOUNT FILTERS

Micron ECO filters embody the latest in fibreglass winding technology. Micron fibreglass vessels consist of an inner shell of fibreglass reinforced with multiple layers of continuous strands of fibreglass filaments. Micron ECO media filter features an internal hydraulically efficient system, which facilitates energy and water savings.

- Water savings of up to 30%
- 50mm Multiport Valve, reducing water flow resistance
- Ideal for low powered and energy efficient pumps
- Fish Tail lateral system - hydraulically balanced flow and backwashing
- Pressure rated at 250kPa
- Corrosion and UV resistant

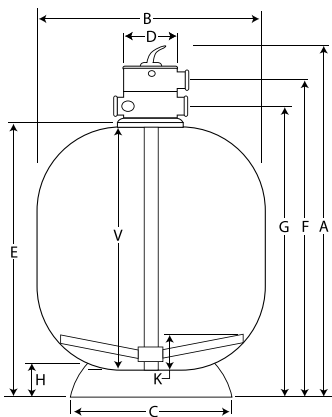
### Micron Top Mount Technical Specification

Filter Model	Valve Size mm	Inner Diameter mm	Filter Area m <sup>2</sup>	Bed Depth mm	Max. Flow lpm	Max. Pool Size** L	Backwash flowrate lpm	Media Volume L	Glass Pearl Media kg	Sand 16/30 kg	Zeoplus 1-2.2 kg
S500	40	500	0.20	280	157	57,000	164	65	105	95	78
S600	40	600	0.28	295	226	81,000	189	106	171	155	127
S602	50	600	0.28	295	226	81,000	189	106	171	155	127
S702	50	700	0.38	340	308	111,000	257	154	249	225	185
S800	50	800	0.50	420	402	145,000	335	233	376	340	279
S900	50	900	0.64	420	509	183,000	424	322	520	470	386



### Micron Top Mount Dimension (mm)

Model	A	B	C	D	E	F	G	H	V	K
S500	864	505	443	180	625	731	672	69	525	94
S600	968	622	540	180	721	832	778	88	620	136
S602	1085	622	540	180	721	832	778	88	620	136
S702	1072	723	620	220	722	892	792	90	652	122
S800	1157	810	620	220	807	977	877	90	713	111
S900	1234	910	620	220	884	1054	954	90	785	163



### Warranty

Micron Filters	10 Years (conditional)
Filter Tank	10 Years
Multi Port Valve & Other components	1 Year
Labour	1 Year
Commercial Installations	5 Years (conditional)
Filter Tank	5 Years (1 year full + 4 years pro rata)
Multi Port Valve & Other components	1 Year

Please refer to Waterco's warranty terms and conditions.

## MICRON ECO TOP MOUNT FILTERS with Fish Tail Laterals

Part Number	Product Description	Nominal Size	NZ List Price	Retail Inc GST
22022	S500 c/w 40mm MPV	22"	1,000.00	1,150.00
22024	S600 c/w 40mm MPV	24"	1,250.00	1,437.50
22026	S600 c/w 40mm MPV Clamp Band	24"	1,250.00	1,437.50
220256	S602 c/w 50mm MPV Clamp Band	24"	1,500.00	1,725.00
220251	S602 c/w 50mm MPV	24"	1,500.00	1,725.00
22029	S702 c/w 50mm MPV	28"	1,800.00	2,070.00
22032	S800 c/w 50mm MPV	32"	2,350.00	2,702.50
22036	S900 c/w 50mm MPV	36"	3,050.00	3,507.50

# Domestic Granular Filters



## MICRON SIDE MOUNT MEDIA FILTERS

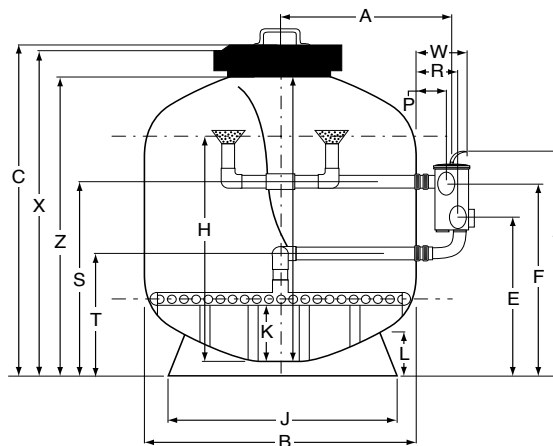
Waterco's digitally controlled fibreglass filament winding process, faultlessly winds continuous strands of fibre glass under tension to create a seamless one-piece vessel. The winding process produces a high quality and consistent product with no welds, seams or special tank linings that are prone to corrosion or electrolysis.

### Specifications

Filter Model	Valve Size		Bed Depth	Inner Diameter		Filter Area	Max. Flow*	Max. Pool Size	Backwash FlowRate	Media Volume	Glass Pearl 0.6-0.8	Sand 16/30	ZeoPlus 1-2.2
	mm	In	mm	mm	In	m <sup>2</sup>	lpm	L	lpm	L	Kg	Kg	Kg
SM600	40	1.5	360	600	23.6	0.28	226	81,000	189	113	183	165	136
SM750	50	2.0	400	750	29.6	0.44	353	127,000	295	195	315	285	234
SM900	50	2.0	440	900	35.5	0.64	509	183,000	424	301	487	440	362

### Dimensions (mm)

Model	A	B	C	W	R	P	E	F	K	V	H	L	X	Y	Z	J	S	T
SM600	526	622	906	306	249	171	520	574	105	690	601	87	873	718	800	484	520	317
SM750	613	772	976	334	262	191	541	643	113	763	652	90	943	800	870	620	541	337
SM900	689	923	1086	334	262	191	591	693	113	860	750	90	1053	850	980	620	591	387



## MICRON SIDE MOUNT SAND FILTERS with MPV With 8" Neck Ring & Multiport Valve

2.5 Bar pressure rating

Part Number	Product Description	Nominal Size	NZ List Price	Retail Inc GST
22082415	SM600 8" neck c/w 40mm MPV	24"	1,750.00	2,012.50
22082416	SM600 8" neck c/w 50mm MPV	24"	2,150.00	2,472.50
220830152	SM750 8" neck c/w 50mm MPV	30"	2,750.00	3,162.50
220836152	SM900 8" neck c/w 50mm MPV	36"	4,000.00	4,600.00

## MICRON SIDE MOUNT SAND FILTERS Tanks only without Multiport Valve

2.5 Bar pressure rating

Part Number	Product Description	Nominal Size	NZ List Price	Retail Inc GST
22000824	SM600 w/o MPV - 40mm ports, 8" neck filter	24"	1,500.00	1,725.00
22005824	SM600 w/o MPV - 50mm ports, 8" neck filter	24"	1,800.00	2,070.00
22000830	SM750 w/o MPV - 50mm ports, 8" neck filter	30"	2,450.00	2,817.50
22000836	SM900 w/o MPV - 50mm ports, 8" neck filter	36"	3,700.00	4,255.00

# Domestic Granular Filters



## AQUABIOME SKIDS

Aquabiome has been engineered specifically for ponds and water gardens. Aquabiome provides mechanical and biological filtration in a single housing. Its ability to support dense populations of nitrifying bacteria, its reliability and easy maintenance, makes Aquabiome especially suitable for high density recirculation systems.

### Effective

Excellent Nitrification and mechanical filtration.

### Efficient

Hydraulically efficient filter design, balanced slotted laterals to maximize water flow and filtration.

### Durable

Corrosion resistant and UV stabilised for outdoor installation.

### Air-Backwash

Air assisted hydraulic backwash, saving time and water.

### Superior Quality

Aquabiome fibreglass filters embody the latest in fibreglass winding technology.

## Specifications

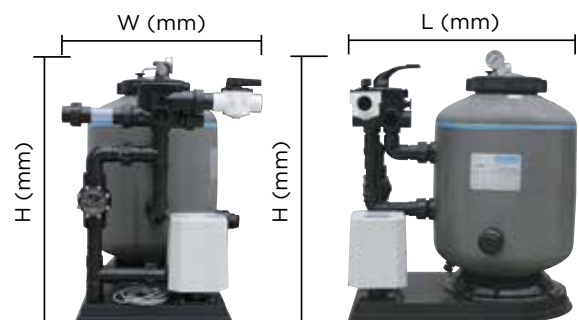
Aquabiome	ASM400	ASM600	ASM900
Nominal Diameter mm/inch	400 / 16	600 / 24	900 / 35
Filter Surface Area m <sup>2</sup> /ft <sup>2</sup>	0.13 / 1.4	0.3 / 3.2	0.64 / 7.15
Media Volume Ls	43	117	303
Media Weight kg	21.5	58.5	151.5
Biofilter Surface Area m <sup>2</sup> /ft <sup>2</sup>	47.3 / 509	128.7 / 1385	333.3 / 3588
Inlet / Outlet Connections	40mm / 1½"	40mm / 1½"	50mm / 2"
Min - Max Flow Rate			
lpm	52 - 101	120 - 226	255 - 509
m <sup>3</sup> /hr	3.1 - 6.1	7.2 - 13.5	15.3 - 30.5
Max Pond Size Ls	13,000	36,000	90,000
Feed Rate kg / lbs per day	0.32 / 0.71	0.9 / 1.98	2.4 / 5.29
Total Ornamental Fish weight* kg / lbs	10.7 / 23.6	30 / 66.1	80 / 176.4
Total Aquaculture Fish weight* kg / lbs	32 / 70.5	90 / 198	240 / 529
Tank Diameter mm / inch	421 / 16.5"	622 / 24.5"	923 / 36.3"
Overall Height mm / inch	856 / 33.7"	880 / 34.6"	1115 / 43.9"
Valve Size mm / inch	40 / 1½"	40 / 1½"	50 / 2"
Bed Depth mm / inch	290 / 11.4"	360 / 14.2"	440 / 17.3"

\* Maximum fish stocking weight depends on the percentage of body weight fed daily.

- Ornamental fish weight based on feeding rate of 3% of body weight.
- Aquaculture fish weight based on feeding rate of 1% of body weight.

## Dimensions (mm)

Aquabiome	L (mm)	W (mm)	H (mm)
SM400	815	650	886
SM600	1040	650	925
SM900	1328	930	1110



## AQUABIOME SKIDS

Part Number	Product Description	NZ List Price	Retail Inc GST
220008165	Aquabiome SM400 (43L of Aquabiome media required)	3,350.00	3,852.50
220008245	Aquabiome SM600 (117L of Aquabiome media required)	3,800.00	4,370.00
220008365	Aquabiome SM900 (303L of Aquabiome media required)	7,200.00	8,280.00

# Domestic Granular Filters



## BIOLOGICAL FILTRATION

Biological filtration is the most effective method of removing toxins (ammonia) and breaking it down into nitrites and then into nitrates which provide food to your aquatic plants (referred to as the Nitrogen Cycle). This is accomplished by using naturally occurring bacteria and giving it a place to live in the Biofilter media where it is exposed to large quantities of food and oxygen.

## AQUABIOME MEDIA

Part Number	Product Description	Nominal Size	NZ List Price	Retail Inc GST
3532520	Aquabiome media (20kg/40L bag)	per bag	350.00	402.50



## VORTEX CHAMBER SKIMMER

These units are the most popular vortex chambers largely due to their high quality construction and design features. Manufactured from fibreglass with a gel coated internal finish, along with the addition of woven fibreglass matting, ensuring a chamber of the highest quality and strength.

The large base ensures that the unit remains stable and the 50mm/2" x 100mm/4" pipe work means that the incoming pond water is sent swirling in the chamber and settling large particle matter to the bottom where it can be discharged through a waste valve.

The vortex chambers are available in 3 sizes to suit 11,000, 18,000 and 36,000L ponds.

## VORTEX CHAMBER SKIMMER

Part Number	Product Description	NZ List Price	Retail Inc GST
3778900	Vortex Chamber Skimmer 2500 Small	700.00	805.00
3778901	Vortex Chamber Skimmer 4000 Medium	950.00	1,092.50
3778902	Vortex Chamber Skimmer 8000 Large	1,300.00	1,495.00

# MICRON

## COMMERCIAL FIBREGLASS FILTERS

Proven Strength and Durability



Setting new global benchmarks in durability, versatility, reliability and longevity, Waterco's Micron fibreglass filters are the preferred choice for commercial and industrial operations that demand superior water quality.



## MICRON TOP MOUNT SAND FILTERS (2.5 Bar)

Part Number	Product Description	Ref page	Nominal Size	NZ List Price	Retail Inc GST
2204265	S1050 c/w 65mm MPV & Barrel Unions	39	42"	5,450.00	6,267.50
2204865	S1200 c/w 65mm MPV & Barrel Unions	39	48"	6,250.00	7,187.50
22014816	S1200 16 inch neck, c/w 80mm MPV & Barrel Unions	39	48"	9,300.00	10,695.00
22015616	S1400 16 inch neck, c/w 80mm MPV & Barrel Unions	39	56"	11,700.00	13,455.00

4 bar available on request

## MICRON SIDE MOUNT SAND FILTERS - excludes MPV (2.5 Bar)

Part Number	Product Description	Ref page	Nominal Size	NZ List Price	Retail Inc GST
220036801	SM900 w/o 80mm MPV	40	36"	6,100.00	7,015.00
22004265121	SM1050E 12" NK (65mm)	40	42"		
22004280161	SM105E 16"NK (80mm)	40	42"	7,200.00	8,280.00
22004865121	SM1200E 12"NK (65mm)	40	48"	7,650.00	8,797.50
22004880161	SM1200 16"NK (80mm)	40	48"	8,800.00	10,120.00
22005680161	SM1400 16 "NK (80mm)	40	56"	10,500.00	12,075.00
220064100161	SM1600E 16"NK (100mm)		64"	14,500.00	16,675.00

## SIDE MOUNT DEEP BED FILTERS - 1000mm filter bed depth (model range from 2.5 to 10 Bar) Excludes MPV

Part Number	Product Description	Ref page	Nominal Size	NZ List Price	Retail Inc GST
	SMD 750 with 50mm connection 8" neck	41-42	30"	POA	
	SMD 1050 with 80mm connection	41-42	42"	POA	
	SMD 1200 with 80mm connection	41-42	48"	POA	
	SMD 1200 with 100mm connection	41-42	48"	POA	
	SMD 1400 with 80mm connection	41-42	56"	POA	
	SMD 1400 with 100mm connection	41-42	56"	POA	
	SMD 1600 with 100mm connection	41-42	64"	POA	
	SMD 1800 with 100mm connection	41-42	72"	POA	
	SMD 1800 with 150mm connection	41-42	72"	POA	
	SMD 2000 with 150mm connection	41-42	80"	POA	

## SIDE MOUNT DEEP BED FILTERS - 1200mm filter bed depth (model range from 2.5 to 10 Bar) excludes MPV

Part Number	Product Description	Ref page	Nominal Size	NZ List Price	Retail Inc GST
	SMDD750 c/w 50mm connections	43-44	30"	POA	
	SMDD900 c/w 65mm connections	43-44	36"	POA	
	SMDD900 c/w 80mm connections	43-44	36"	POA	
	SMDD1050 c/w 80mm connections	43-44	42"	POA	
	SMDD1200 c/w 80mm connections	43-44	48"	POA	
	SMDD1200 c/w 100mm connections	43-44	48"	POA	
	SMDD1400 c/w 80mm connections	43-44	56"	POA	
	SMDD1400 c/w 100mm connections	43-44	56"	POA	
	SMDD1600 c/w 100mm connections	43-44	64"	POA	
	SMDD1600 c/w 150mm connections	43-44	64"	POA	
	SMDD1800 c/w 100mm connections	43-44	72"	POA	
	SMDD1800 c/w 150mm connections	43-44	72"	POA	
	SMDD2000 c/w 150mm connections	43-44	80"	POA	
	SMDD2200 c/w 150mm connections	43-44	88"	POA	
	SMDD2350 c/w 150mm connections	43-44	92"	POA	
	SMDD2500 c/w 150mm connections	43-44	100"	POA	

(other sizes available on request)

## NOZZLE PLATE SIDE MOUNT DEEP BED FILTERS

- 1200mm filter bed depth (model range from 2.5 to 10 Bar) excludes MPV

Part Number	Product Description	Ref page	Nominal Size	NZ List Price	Retail Inc GST
	SPDD1050 c/w 80mm connections	45-46	42"	POA	
	SPDD1200 c/w 80mm connections	45-46	48"	POA	
	SPDD1400 c/w 100mm connections	45-46	56"	POA	
	SPDD1600 c/w 100mm connections	45-46	64"	POA	
	SPDD1800 c/w 150mm connections	45-46	72"	POA	
	SPDD2000 c/w 150mm connections	45-46	80"	POA	
	SPDD2350 c/w 150mm connections	45-46	92"	POA	



## HYDRON SPLIT TANK SIDE MOUNT DEEP BED FILTERS

- 1200mm filter bed depth (4.0 Bar) excludes MPV

Part Number	Product Description	Ref page	Nominal Size	NZ List Price	Retail Inc GST
	SMDT1200 c/w 80mm connections	50	48"	POA	
	SMDT1400 c/w 100mm connections	50	56"	POA	
	SMDT1600 c/w 100mm connections	50	64"	POA	
	SMDT1800 c/w 150mm connections	50	72"	POA	

## MICRON COMMERCIAL HORIZONTAL FILAMENT WOUND FILTERS

(ranges from 2.5 to 10 Bar)

Part Number	Product Description	Ref page	Nominal Size	NZ List Price	Retail Inc GST
	M2500 - 100mm ANSI Flanges	47-48	2.5m <sup>2</sup>	POA	
	M3750 - 100mm ANSI Flanges	47-48	3.75m <sup>2</sup>	POA	
	M3750 - 150mm ANSI Flanges	47-48	3.75m <sup>2</sup>	POA	
	M5000 - 150mm ANSI Flanges	47-48	5.0m <sup>2</sup>	POA	
	MD5500 - 150mm ANSI Flanges	49	5.5m <sup>2</sup>	POA	
	MD6500 - 200mm ANSI Flanges	49	6.5m <sup>2</sup>	POA	
	MD8000 - 200mm connections	49	8.0m <sup>2</sup>	POA	
	MD10000 - 250mm connections	49	10.0m <sup>2</sup>	POA	

## MICRON COMMERCIAL HORIZONTAL FILAMENT WOUND FILTERS

- w/Nozzle Plate (ranges from 2.5 to 10 Bar)

Part Number	Product Description	Ref page	Nominal Size	NZ List Price	Retail Inc GST
	MPD5500 - 200mm connections	49	5.5m <sup>2</sup>	POA	
	MPD6500 - 200mm connections	49	6.5m <sup>2</sup>	POA	
	MPD8000 - 200mm connections	49	8.0m <sup>2</sup>	POA	
	MPD10000 - 250mm connections	49	10.0m <sup>2</sup>	POA	



## DUAL PRESSURE GAUGE

Part Number	Product Description	Ref page	Nominal Size	NZ List Price	Retail Inc GST
621640	Dual Pressure Gauge Panel Pewter	51		375.00	431.25

## HYDRO5000 COMMERCIAL STRAINER



Part Number	Product Description	Ref page	Nominal Size	NZ List Price	Retail Inc GST
2409058	Hydro5000 Commercial Strainer Suction 6" ANSI Flange/ Discharge 6" ANSI Flange	51	6"/6"	1,400.00	1,610.00
2409057	Hydro5000 Commercial Strainer Suction 4" JIS Flange/ Discharge 6" ANSI Flange	51	4"/6"	1,400.00	1,610.00
2409056	Hydro5000 Commercial Strainer Suction 4" Threaded/ Discharge 6" ANSI Flange	51	4"/6"	1,400.00	1,610.00
2408055	Hydro5000 Commercial Strainer Suction 6" ANSI Flange/ Discharge 4" JIS Flange	51	6"/4"	1,400.00	1,610.00
2408054	Hydro5000 Commercial Strainer Suction 4" Threaded/ Discharge 4" JIS Flange	51	4"/4"	1,400.00	1,610.00



Lateral under drain system

## MICRON COMMERCIAL FILAMENT WOUND FILTERS

Manufactured from the highest grade of non corrosive materials and employing the latest in fibreglass winding technology, Micron fibreglass filters are designed and built for many years of trouble-free operation. Micron commercial fibreglass filters are available in top mount, side mount and horizontal configurations from filter areas of 0.87m<sup>2</sup> to 10.0m<sup>2</sup>

- Precision fibreglass winding
- UV and corrosion resistant
- Hydraulically balanced laterals
- Pressure rated at 250kPa (36psi), 400kPa (58psi), 600kPa (87psi) and up to 800kPa (116psi)
- Optional sight glasses and lateral manholes
- Optional vinyl ester tanks for commercial/industrial applications

Waterco's digitally controlled filament winding machine faultlessly winds continuous strands of high quality fibreglass filament under controlled tension filament to create a seamless one-piece vessel with refined consistency and superior quality. There are no welds or seams or special tank linings which can corrode or electrolyse.

### Specifications

Filter Model	Port Size	Bed Depth	Inner Diameter	Filter Area	Velocities and Flows				Media Volume	Sand		ECO PURE Glass		Glass Pearls 0.6-0.8	
					30m <sup>3</sup> /hr/m <sup>2</sup>	36m <sup>3</sup> /hr/m <sup>2</sup>	40m <sup>3</sup> /hr/m <sup>2</sup>	50m <sup>3</sup> /hr/m <sup>2</sup>		kgs		kgs		kgs	
					m <sup>3</sup> /hr		m <sup>3</sup> /hr			Litres	sub lateral gravel	Sand (above lateral)	sub lateral gravel	ECO PURE Glass (above lateral)	sub lateral gravel
S1050	65	510	1050	0.87	26	31	35	43	503	100	635	100	522	100	702
S1200	65	580	1200	1.13	34	41	45	#57	736	129	946	129	777	129	1046
S1200	80	580	1200	1.13	34	41	45	57	760	171	939	171	772	171	1038
S1400	80	670	1400	1.54	46	55	62	#77	1229	202	1593	202	1309	202	1762

# Exceed recommended maximum flow rates

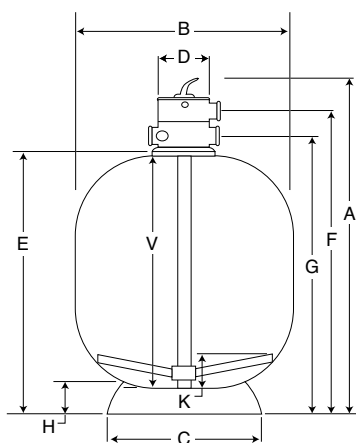
\* Recommended maximum flow rates for port size: 65mm/75mm(EU), 760 lpm, 45.6m<sup>3</sup>/hr  
80mm/90mm(EU), 1080 lpm, 64.8m<sup>3</sup>/hr

### Dimension (mm) - S series - Models with 12" & 16" Neck

Model	Valve Size	A	B	C	D	E	F	G	H	V	K
S1050 12"Neck	65	1490	1077	1045	264	1025	1309	1183	176	940	163
S1200 12"Neck	65	1615	1210	1045	264	1215	1441	1315	176	1040	173
S1200 16"Neck	80	1941	1232	1045	301	1450	1669	1561	176	1200	200
S1400 16"Neck	80	2020	1440	1200	301	1530	1748	1640	220	1275	200

All figure tolerance 1%  
Subject to alteration in actual production

Model	Filter Shipping Weight (2.5bar)	Shipping Volume (m <sup>3</sup> )
S1050 12"Neck	60	1.20
S1200 12"Neck	70	1.91
S1200 16"Neck	100	1.91
S1400 16"neck	150	3.18



## MICRON TOP MOUNT SAND FILTERS (2.5 Bar)

Part Number	Product Description	Nominal Size	NZ List Price	Retail Inc GST
2204265	S1050 c/w 65mm MPV & Barrel Unions	42"	5,450.00	6,267.50
2204865	S1200 c/w 65mm MPV & Barrel Unions	48"	6,250.00	7,187.50
22014816	S1200 16 inch neck, c/w 80mm MPV & Barrel Unions	48"	9,300.00	10,695.00
22015616	S1400 16 inch neck, c/w 80mm MPV & Barrel Unions	56"	11,700.00	13,455.00

4 bar available on request



## COMMERCIAL SIDE MOUNT SAND FILTERS



### Specifications

Filter Model	Port Size	Bed Depth	Inner Diameter	Filter Area	Velocities and Flows				Media Volume	Sand		ECOPURE Glass		Glass Pearls 0.6-0.8	
					30m <sup>3</sup> /hr/m <sup>2</sup>	36m <sup>3</sup> /hr/m <sup>2</sup>	40m <sup>3</sup> /hr/m <sup>2</sup>	50m <sup>3</sup> /hr/m <sup>2</sup>		kgs		kgs		kgs	
					m <sup>3</sup> /hr		m <sup>3</sup> /hr			Litres	sub lateral gravel	Sand (above lateral)	sub lateral gravel	ECO PURE Glass (above lateral)	sub lateral gravel
SM900	80	440	900	0.64	19	23	25	#32	301	42	398	42	327	42	441
SM1050	80	470	1050	0.87	26	31	34	43	432	55	575	55	472	55	636
SM1200	65	580	1200	1.13	34	41	45	#57	705	98	932	98	766	98	1031
SM1200	80	580	1200	1.13	34	41	45	57	705	98	932	98	766	98	1031
SM1400	80	670	1400	1.54	46	55	62	#77	1130	183	1467	183	1206	183	1623
SM1600	100	670	1600	2.01	60	#72	#80	#101	1483	244	1921	244	1579	244	2125

# Exceed recommended maximum flow rates

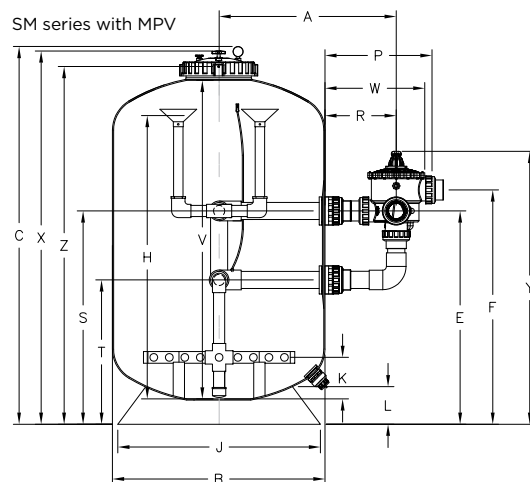
\* Recommended maximum flow rates for port size: 50mm/63mm(EU), 510 lpm, 30.6 m<sup>3</sup>/hr  
 65mm/75mm(EU), 760 lpm, 45.6m<sup>3</sup>/hr  
 80mm/90mm(EU), 1080 lpm, 64.8m<sup>3</sup>/hr  
 100mm/110mm(EU), 1800 lpm, 108m<sup>3</sup>/hr

### Dimension (mm) - SM Series - Models with 12" and 16" Neck

Model	Port Size	Valve Size	A	B	C	W	R	P	E	F	K	V	H	L	X	Y	Z	J	S	T
SM900 12"Neck	80	80	689	923	1140	389	298	193	670	796	113	900	750	90	1108	980	1032	620	670	370
SM1050 12"Neck	80	80	796	1077	1273	389	298	193	772	898	120	985	880	176	1241	1082	1165	1045	772	472
SM1200 12"Neck	65	65	873	1232	1520	389	298	193	916	1042	190	1191	1022	176	1488	1226	1412	1045	916	616
SM1200 16"Neck	80	80	1170	1232	1550	510	363	548	952	1062	190	1158	1022	176	1477	1334	1405	1045	952	596
SM1400 16"Neck	80	80	1083	1442	1645	510	363	548	926	1036	190	1279	1065	218	1572	1308	1500	1202	926	570
SM1600 16"Neck	100	-	-	1644	1927	-	-	-	-	-	205	1537	1220	218	1854	-	1782	1202	1139	707

All figure tolerance 1%  
 Subject to modification

Model	Filter Shipping Weight (2.5bar)	Shipping Volume
SM900	43 kg	1.1 m <sup>3</sup>
SM1050	150kg	1.3m <sup>3</sup>
SM1200	160 kg	2.14 m <sup>3</sup>
SM1400	250 kg	3.36 m <sup>3</sup>
SM1600	300 kg	4.89 m <sup>3</sup>



### MICRON SIDE MOUNT SAND FILTERS - excludes MPV (2.5 Bar)

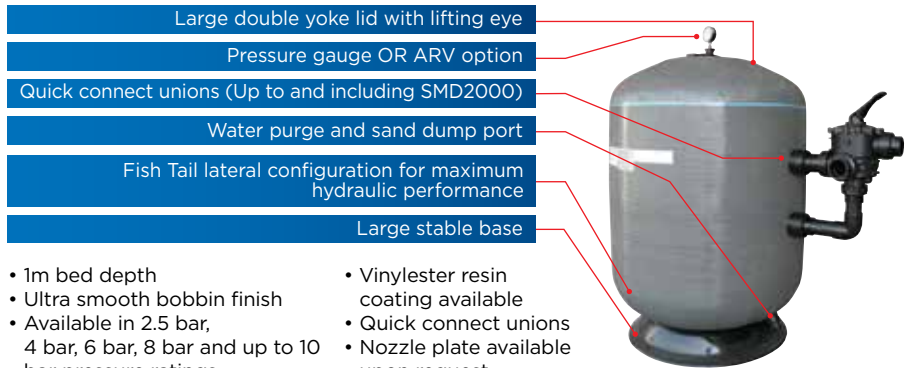
Part Number	Product Description	Nominal Size	NZ List Price	Retail Inc GST
220036801	SM900 w/o 80mm MPV	36"	6,100.00	7,015.00
22004265121	SM1050E 12" NK (65mm)	42"		
22004280161	SM105E 16"NK (80mm)	42"	7,200.00	8,280.00
22004865121	SM1200E 12"NK (65mm)	48"	7,650.00	8,797.50
22004880161	SM1200 16"NK (80mm)	48"	8,800.00	10,120.00
22005680161	SM1400 16 "NK (80mm)	56"	10,500.00	12,075.00
220064100161	SM1600E 16"NK (100mm)	64"	14,500.00	16,675.00

# Commercial Granular Filters Note: Please call for pricing.

## SMD Series (1000mm bed depth)

### COMMERCIAL SIDE MOUNT DEEP BED FILTERS (SMD Series)

1000mm filter bed depth ranges from 2.5 up to 10bar



#### SMD series, 1m deep bed filters

The effect of deep media bed improves the filtration efficiency over standard High-rate filters by providing enhanced in-depth filtration and increased dirt capacity. In addition, the greater bed depth permits efficient use of mixed bed filter media and water treatment media such as granular activated carbon.

The filter's 1000mm media bed ensures that finer dirt particles and colloidal substances are retained to a far greater level than a filter with a shallower bed depth.

- 1m bed depth
- Ultra smooth bobbin finish
- Available in 2.5 bar, 4 bar, 6 bar, 8 bar and up to 10 bar pressure ratings
- Vinylester resin coating available
- Quick connect unions
- Nozzle plate available upon request

#### Specifications

Filter Model	Port Size	Bed Depth	Inner Diameter	Filter Area	Velocities and Flows				Media Volume	Sand		ECO PURE Glass		Glass Pearls 0.6-0.8	
					30m <sup>3</sup> /hr/m <sup>2</sup>	36m <sup>3</sup> /hr/m <sup>2</sup>	40m <sup>3</sup> /hr/m <sup>2</sup>	50m <sup>3</sup> /hr/m <sup>2</sup>		kgs		kgs		kgs	
					m <sup>3</sup> /hr		m <sup>3</sup> /hr			Litres	sub lateral gravel	Sand (above lateral)	sub lateral gravel	ECO-PURE Glass (above lateral)	sub lateral gravel
SMD750	50	1000	750	0.44	13	16	18	22	459	34	636	34	522	34	703
SMD900	50	1000	900	0.64	19	23	25	32	658	42	918	42	755	42	1016
SMD900	65	1000	900	0.64	19	23	25	32	726	154	906	154	745	154	1002
SMD900	80	1000	900	0.64	19	23	25	32	699	114	906	114	745	114	1003
SMD1050	65	1000	1050	0.87	26	31	35	43	973	178	1242	178	1021	178	1374
SMD1050	80	1000	1050	0.87	26	31	35	43	966	178	1232	178	1013	178	1363
SMD1200	65	1000	1200	1.13	34	41	45	#57	1219	155	1625	155	1336	155	1797
SMD1200	80	1000	1200	1.13	34	41	45	57	1178	98	1622	98	1333	98	1794
SMD1200	100	1000	1200	1.13	34	41	45	57	1192	140	1600	140	1315	140	1770
SMD1400	80	1000	1400	1.54	46	55	62	77	1723	311	2204	311	1812	311	2438
SMD1400	100	1000	1400	1.54	46	55	62	77	1637	202	2188	202	1799	202	2420
SMD1600	80	1000	1600	2.01	60	#72	#80	#101	2171	280	2890	280	2376	280	3197
SMD1600	100	1000	1600	2.01	60	72	80	101	2096	189	2871	189	2360	189	3176
SMD1600	150	1000	1600	2.01	60	72	80	101	2123	280	2820	280	2318	280	3120
SMD1800	100	1000	1800	2.54	76	92	102	#127	2880	331	3874	331	3184	331	4285
SMD1800	150	1000	1800	2.54	76	92	102	127	2904	654	3586	654	2947	654	3966
SMD2000	100	1000	2000	3.14	94	#113	#126	#157	3521	647	4493	647	3693	647	4970
SMD2000	150	1000	2000	3.14	94	113	126	157	3490	647	4448	647	3656	647	4921

# Exceed recommended maximum flow rates

\* Recommended maximum flow rates for port size: 50mm/63mm(EU), 510 lpm, 30.6m<sup>3</sup>/hr  
 100mm/110mm(EU), 1800 lpm, 108m<sup>3</sup>/hr  
 65mm/75mm(EU), 760 lpm, 45.6m<sup>3</sup>/hr  
 150mm/160mm(EU), 3420 lpm, 205.2m<sup>3</sup>/hr  
 80mm/90mm(EU), 1080 lpm, 64.8m<sup>3</sup>/hr

# Commercial Granular Filters Note: Please call for pricing.

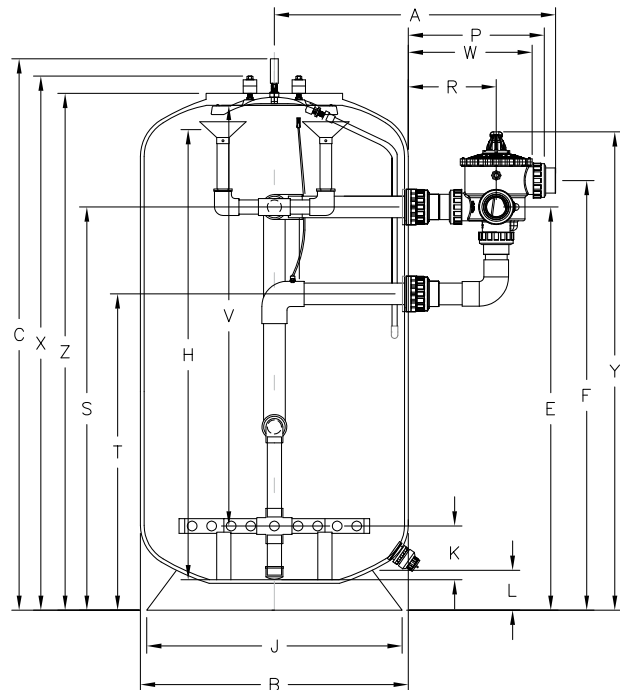
## Dimension (mm) - SMD Series

Model	Port Size	Valve Size	A	B	C	W	R	P	E	F	K	V	H	L	X	Y	Z	J	S	T
SMD750	50	50	613	772	1660	334	262	191	1226	1328	113	1420	1363	120	1585	1485	1560	678	1226	1023
SMD900	50	50	689	923	1733	334	262	191	1274	1376	113	1450	1363	155	1833	1533	1763	735	1274	1071
SMD900	65	65	719	923	1918	389	298	193	1300	1426	223	1580	1473	155	1833	1610	1763	735	1300	1000
SMD900	80	80	824	923	1918	510	363	548	1406	1516	190	1580	1440	155	1833	1788	1763	735	1406	1050
SMD1050	50	50	754	1110	1930	334	262	191	1265	1367	220	1605	1470	176	1845	1524	1775	1045	1265	1062
SMD1050	65	65	796	1110	1930	389	298	193	1044	1170	220	1605	1470	176	1845	1354	1775	1045	1044	744
SMD1050	80	80	918	1110	1930	510	363	548	1100	1210	220	1605	1470	176	1845	1482	1775	1045	1100	744
SMD1200	50	50	830	1229	1935	334	262	191	1285	1387	113	1590	1363	176	1850	1544	1780	1045	1285	1082
SMD1200	65	65	873	1229	1935	389	298	193	1098	1224	190	1590	1440	176	1850	1408	1780	1045	1098	798
SMD1200	80	80	977	1229	1935	510	363	548	1154	1264	150	1590	1400	176	1850	1536	1780	1045	1154	798
SMD1200	100	-	-	1229	1935	943	474	629	760	422	180	1590	1430	176	1850	-	1780	1045	1192	760
SMD1400	80	80	1083	1442	1955	510	363	548	1204	1314	250	1615	1500	218	1870	1586	1800	1202	1204	848
SMD1400	100	-	-	1442	1955	943	474	629	810	472	200	1615	1450	218	1870	-	1800	1202	1242	810
SMD1600	80	80	1184	1644	1994	510	363	548	1151	1261	220	1615	1500	218	1909	1533	1839	1202	1151	795
SMD1600	100	-	-	1644	1994	-	-	-	-	-	180	1615	1430	218	1909	-	1839	1202	1189	757
SMD1600	150	-	-	1644	1994	-	-	-	-	-	220	1615	1470	218	1909	-	1839	1202	1200	717
SMD1800	100	-	-	1839	1985	-	-	-	-	-	225	1710	1475	315	1900	-	1830	1755	1183	751
SMD1800	150	-	-	1839	1985	-	-	-	-	-	320	1710	1570	315	1900	-	1830	1755	1168	685
SMD2000	100	-	-	2042	2063	-	-	-	-	-	300	1765	1550	245	1978	-	1908	1755	1190	758
SMD2000	150	-	-	2042	2063	-	-	-	-	-	300	1765	1550	245	1978	-	1908	1755	1215	732

All figure tolerance 1%  
Subject to alteration in actual production

Model	Filter Shipping Weight (2.5bar)	Shipping Volume
SMD750	58 kg	1.20 m <sup>3</sup>
SMD900	155 kg	1.80 m <sup>3</sup>
SMD1050	162 kg	2.13 m <sup>3</sup>
SMD1200	175 kg	2.80 m <sup>3</sup>
SMD1400	270 kg	3.99 m <sup>3</sup>
SMD1600	330 kg	5.28 m <sup>3</sup>
SMD1800	429 kg	6.67 m <sup>3</sup>
SMD2000	500 kg	7.86 m <sup>3</sup>

SMD series



## SMDD Series (1200mm bed depth)

### COMMERCIAL SIDE MOUNT DEEP BED FILTERS (SMDD)

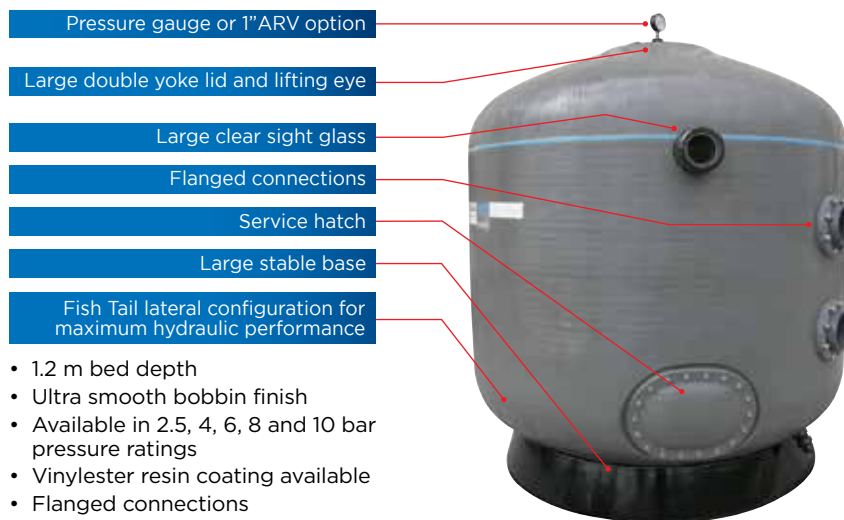
1200mm filter bed depth ranges from 2.5 to 10bar

#### SMDD series, 1.2m deep bed Filters

The effect of deep media bed improves the filtration efficiency over standard High-rate filters by providing enhanced in-depth filtration and increased dirt capacity. In addition, the greater bed depth permits efficient use of mixed bed filter media and water treatment media such as granular activated carbon.

The filter's 1200mm media bed ensures that finer dirt particles and colloidal substances are retained to a far greater level than a filter with a shallower bed depth.

#### Micron Side Mount Deep Bed Sand Filter - SMDD Model



- 1.2 m bed depth
- Ultra smooth bobbin finish
- Available in 2.5, 4, 6, 8 and 10 bar pressure ratings
- Vinyl ester resin coating available
- Flanged connections
- Nozzle plate version (SPDD)

#### Specifications



SMDD series 1200mm bed depth

Filter Model	Port Size	Bed Depth	Inner Diameter	Filter Area	Velocities and Flows				Media Volume	Sand		ECOPURE Glass		Glass Pearls 0.6-0.8	
					30m <sup>3</sup> /hr/m <sup>2</sup>	36m <sup>3</sup> /hr/m <sup>2</sup>	40m <sup>3</sup> /hr/m <sup>2</sup>	50m <sup>3</sup> /hr/m <sup>2</sup>		kgs		kgs		kgs	
					m <sup>3</sup> /hr		m <sup>3</sup> /hr			Litres	sub lateral gravel	Sand (above lateral)	sub lateral gravel	ECO-PURE Glass (above lateral)	sub lateral gravel
SMDD750	50	1200	750	0.44	13	16	18	22	545	34	761	34	625	34	841
SMDD900	50	1200	900	0.64	19	23	25	#32	784	42	1103	42	907	42	1220
SMDD900	65	1200	900	0.64	19	23	25	32	784	154	991	154	814	154	1096
SMDD900	80	1200	900	0.64	19	23	25	32	822	114	1086	114	893	114	1202
SMDD1050	65	1200	1050	0.87	26	31	35	43	1144	178	1492	178	1226	178	1650
SMDD1050	80	1200	1050	0.87	26	31	35	43	1140	178	1487	178	1222	178	1645
SMDD1200	65	1200	1200	1.13	34	41	45	#57	1442	155	1950	155	1603	155	2157
SMDD1200	80	1200	1200	1.13	34	41	45	57	1401	98	1947	98	1600	98	2154
SMDD1200	100	1200	1200	1.13	34	41	45	57	1414	140	1925	140	1582	140	2130
SMDD1400	80	1200	1400	1.54	46	55	62	77	2031	311	2654	311	2182	311	2936
SMDD1400	100	1200	1400	1.54	46	55	62	77	1945	202	2638	202	2168	202	2918
SMDD1600	80	1200	1600	2.01	60	#72	#80	#101	2548	244	3476	244	2857	244	3845
SMDD1600	100	1200	1600	2.01	60	72	80	101	2524	232	3453	232	2838	232	3819
SMDD1600	150	1200	1600	2.01	60	72	80	101	2575	280	3480	280	2861	280	3850
SMDD1800	100	1200	1800	2.54	76	92	102	#127	3192	289	4371	289	3592	289	4835
SMDD1800	150	1200	1800	2.54	76	92	102	127	3408	654	4321	654	3551	654	4779
SMDD2000	100	1200	2000	3.14	94	#113	#126	#157	4147	647	5408	647	4445	647	5982
SMDD2000	150	1200	2000	3.14	94	113	126	157	4171	733	5357	733	4403	733	5926
SMDD2200	150	1200	2200	3.80	114	137	152	190	5223	1130	6495	1130	5338	1130	7184
SMDD2350	150	1200	2350	4.34	130	156	173	#217	5808	1064	7416	1064	6096	1064	8204
SMDD2500	150	1200	2500	4.91	147	177	196	#255	6538	1136	8409	1136	6912	1136	9302
SMDD3000	200	1200	3000	7.07	212	254	283	353	9589	2326	11674	2326	9595	2326	12914

# Exceed recommended maximum flow rates

\* Recommended maximum flow rates for port size: 50mm/63mm(EU), 510 lpm, 30.6m<sup>3</sup>/hr  
65mm/75mm(EU), 760 lpm, 45.6m<sup>3</sup>/hr  
80mm/90mm(EU), 1080 lpm, 64.8m<sup>3</sup>/hr

100mm/110mm(EU), 1800 lpm, 108m<sup>3</sup>/hr  
150mm/160mm(EU), 3420 lpm, 205.2m<sup>3</sup>/hr  
200mm/200mm(EU), 6720 lpm, 403.2m<sup>3</sup>/hr

# Commercial Granular Filters

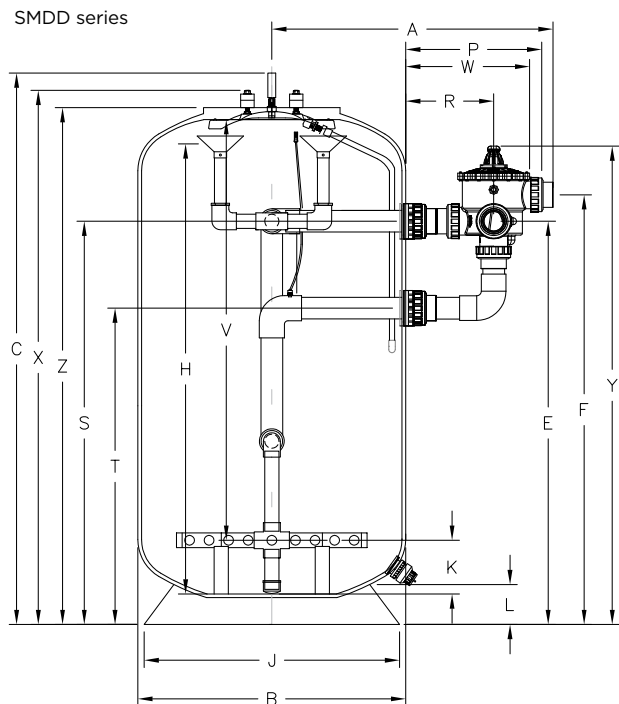
Note: Please call for pricing.

## Dimension (mm) - SMDD Series

Model	Port Size	Valve Size	A	B	C	W	R	P	E	F	K	V	H	L	X	Y	Z	J	S	T
SMDD750	50	50	613	772	2112	334	262	191	1586	1688	113	1775	1713	120	2027	1845	1918	678	1586	1383
SMDD900	50	50	689	923	2268	334	262	191	1619	1721	113	1795	1713	155	2183	1878	2113	735	1619	1416
SMDD900	65	65	719	923	2268	389	298	193	1624	1750	223	1930	1823	155	2183	1934	2113	735	1624	1324
SMDD900	80	80	824	923	2268	510	363	548	1680	1790	190	1930	1780	155	2183	2062	2113	735	1680	1324
SMDD1050	50	50	766	1110	2270	334	262	191	1600	1702	220	1950	1820	176	2185	1859	2115	1045	1600	1397
SMDD1050	65	65	796	1110	2270	389	298	193	1594	1720	220	1950	1820	176	2185	1904	2115	1045	1594	1294
SMDD1050	80	80	918	1110	2270	510	363	548	1650	1760	220	1950	1820	176	2185	2032	2115	1045	1650	1294
SMDD1200	50	50	842	1229	2243	334	262	191	1512	1614	113	1900	1713	176	2158	1771	2088	1045	1512	1309
SMDD1200	65	65	873	1229	2243	389	298	193	1609	1735	190	1900	1790	176	2158	1919	2088	1045	1609	1309
SMDD1200	80	80	977	1229	2243	510	363	548	1665	1775	150	1900	1750	176	2158	2047	2088	1045	1665	1309
SMDD1200	100	-	-	1229	2243	-	-	-	-	-	180	1900	1780	176	2158	-	2088	1045	1315	883
SMDD1400	80	80	1083	1442	2313	510	363	548	1618	1728	250	1970	1850	218	2228	2000	2158	1202	1618	1262
SMDD1400	100	-	-	1442	2313	-	-	-	-	-	200	1970	1800	218	2228	-	2158	1202	1330	898
SMDD1600	80	80	1184	1644	2285	510	363	548	1330	1492.7	205	1950	1805	218	2200	1765	2130	1202	1383	1027
SMDD1600	100	-	-	1644	2285	-	-	-	-	-	200	1950	1800	218	2200	-	2130	1202	1421	989
SMDD1600	150	-	-	1644	2285	-	-	-	-	-	220	1950	1820	218	2200	-	2130	1202	1383	900
SMDD1800	100	-	-	1839	2260	-	-	-	-	-	210	2010	1810	315	2175	-	2105	1755	1298	866
SMDD1800	150	-	-	1839	2260	-	-	-	-	-	320	2010	1920	315	2175	-	2105	1755	1383	900
SMDD2000	100	-	-	2042	2398	-	-	-	-	-	300	2100	1900	245	2313	-	2243	1755	1310	878
SMDD2000	150	-	-	2042	2398	-	-	-	-	-	320	2100	1920	245	2313	-	2243	1755	1310	827
SMDD2200	150	-	-	2245	2415	-	-	-	-	-	380	2090	1980	245	2330	-	2260	1755	1386	903
SMDD2350	150	-	-	2390	2485	-	-	-	-	-	355	2118	1955	340	2330	-	2330	2037	1500	1017
SMDD2500	150	-	-	2575	2510	-	-	-	-	-	355	2190	1955	340	2405	-	2405	2037	1494	1011
SMDD3000	200	-	-	3045	2890	-	-	-	-	-	465	2490	2065	417	2785	-	2785	2660	1688	1205

All figure tolerance 1%  
Subject to modification

Model	Filter Shipping Weight (2.5bar)	Shipping Volume
SMDD750	66 kg	1.14 m <sup>3</sup>
SMDD900	172 kg	2.06 m <sup>3</sup>
SMDD1050	181 kg	2.97 m <sup>3</sup>
SMDD1200	223 kg	3.48 m <sup>3</sup>
SMDD1400	275 kg	5.32 m <sup>3</sup>
SMDD1600	352 kg	6.93 m <sup>3</sup>
SMDD1800	377 kg	7.64 m <sup>3</sup>
SMDD2000	590 kg	10.2 m <sup>3</sup>
SMDD2200	800 kg	12.41 m <sup>3</sup>
SMDD2350	916 kg	13.82 m <sup>3</sup>
SMDD2500	1033 kg	16.64 m <sup>3</sup>



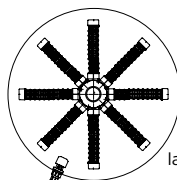
# Commercial Granular Filters Note: Please call for pricing.



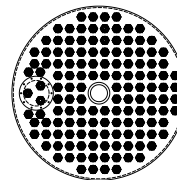
## MICRON NOZZLE PLATE SIDE MOUNT DEEP BED FILTERS

1200mm filter bed depth ranges from 2.5 to 10bar

The nozzle plate system allows the introduction of pressurised air directly into the bottom of the filter media. Uniform introduction of air and water through the nozzle plate provides vigorous agitation and filter media bed expansion. Up to 25% backwash water savings and reduced backwashing times can be achieved as a result of effective media bed expansion.



Conventional lateral configuration



Nozzle plate configuration

### Micron SPDD Nozzle Plate Filters

Micron SPDD filters are fitted with a plate and nozzle system, which ensures uniform flow for both filtering and backwashing, ensuring maximum performance through the media bed.

### Specifications

Filter Model	Port Size	Bed Depth	Inner Diameter	Filter Area	Velocities and Flows				Media Volume	Sand	ECOPURE Glass	Glass Pearls 0.6-0.8				
					30m <sup>3</sup> /hr/m <sup>2</sup>	36m <sup>3</sup> /hr/m <sup>2</sup>	40m <sup>3</sup> /hr/m <sup>2</sup>	50m <sup>3</sup> /hr/m <sup>2</sup>					Litres	kgs	kgs	kgs
					m <sup>3</sup> /hr		m <sup>3</sup> /hr									
SPDD900	80	1200	900	0.64	19	23	25	32	750	1095	900	1211				
SPDD1050	80	1200	1050	0.87	26	31	35	43	1017	1485	1221	1463				
SPDD1200	80	1200	1200	1.13	34	41	45	57	1322	1930	1586	2135				
SPDD1200	100	1200	1200	1.13	34	41	45	57	1322	1930	1586	2135				
SPDD1400	80	1200	1400	1.54	46	55	62	#77	1808	2640	2170	2920				
SPDD1400	100	1200	1400	1.54	46	55	62	77	1808	2640	2170	2920				
SPDD1600	80	1200	1600	2.01	60	#72	#80	#101	2380	3475	2856	3844				
SPDD1600	100	1200	1600	2.01	60	72	80	101	2366	3455	2840	3822				
SPDD1800	100	1200	1800	2.54	76	92	102	#127	2993	4370	3592	4834				
SPDD1800	150	1200	1800	2.54	76	92	102	127	2966	4330	3559	4790				
SPDD2000	100	1200	2000	3.14	94	#113	#126	#157	3705	5410	4447	5984				
SPDD2000	150	1200	2000	3.14	94	113	126	157	3671	5360	4405	5929				
SPDD2200	150	1200	2200	3.80	114	137	152	190	4473	6530	5367	7223				
SPDD2350	150	1200	2350	4.34	130	156	174	#217	5089	7430	6107	8219				
SPDD2500	150	1200	2500	4.91	147	177	196	#245	5760	8410	6912	9303				
SPDD3000	200	1200	3000	7.07	212	255	283	353	7997	11675	9596	12914				
SPDD3000	250	1200	3000	7.07	212	255	283	353	8010	11695	9612	12937				



Nozzle Plate under drain system



Internal Nozzle Plate Service Hatch

# Exceed recommended maximum flow rates

\* Recommended maximum flow rates for port size: 50mm/63mm(EU), 510 lpm, 30.6m<sup>3</sup>/hr  
 65mm/75mm(EU), 760 lpm, 45.6m<sup>3</sup>/hr  
 80mm/90mm(EU), 1080 lpm, 64.8m<sup>3</sup>/hr  
 250mm/280mm(EU), 8930 lpm, 535.8m<sup>3</sup>/hr  
 100mm/110mm(EU), 1800 lpm, 108m<sup>3</sup>/hr  
 150mm/160mm(EU), 3420 lpm, 205.2m<sup>3</sup>/hr  
 200mm/200mm(EU), 6720 lpm, 403.2m<sup>3</sup>/hr

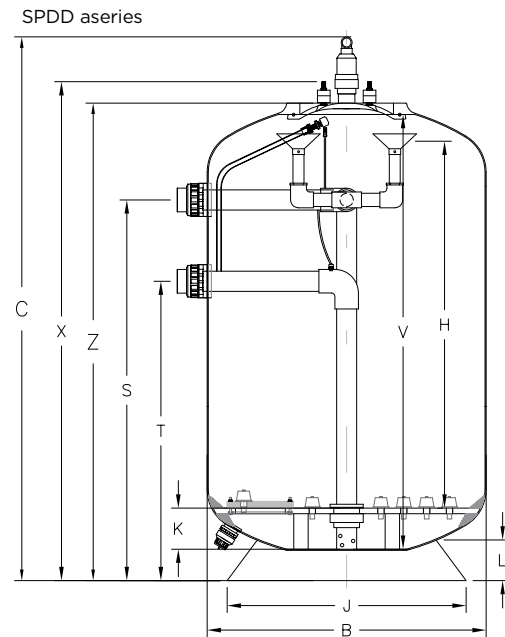
# Commercial Granular Filters Note: Please call for pricing.

## Dimension (mm) - SPDD Series

Model	Port Size	B	C	K	V	H	L	X	Z	J	S	T
SPDD900	80	923	2368	190	1930	1780	155	2183	2113	735	1680	1324
SPDD1050	80	1110	2370	220	1950	1820	176	2185	2115	1045	1650	1294
SPDD1200	80	1229	2343	180	1900	1750	176	2158	2088	1045	1665	1309
SPDD1200	100	1229	2343	180	1900	1780	176	2158	2088	1045	1315	883
SPDD1400	80	1442	2413	200	1970	1860	218	2228	2158	1202	1618	1262
SPDD1400	100	1442	2413	200	1975	1800	218	2228	2158	1202	1330	898
SPDD1600	80	1644	2385	205	1950	1805	218	2200	2130	1202	1383	1027
SPDD1600	100	1644	2385	200	1950	1800	218	2200	2130	1202	1421	989
SPDD1800	100	1839	2360	210	2010	1810	315	2175	2105	1755	1298	866
SPDD1800	150	1839	2360	320	2010	1920	315	2175	2105	1755	1383	900
SPDD2000	100	2042	2498	300	2100	1900	245	2313	2243	1755	1310	878
SPDD2000	150	2042	2498	320	2100	1920	245	2313	2243	1755	1310	827
SPDD2200	150	2245	2500	355	2090	1946	245	2315	2245	1755	1386	903
SPDD2350	150	2390	2585	355	2118	1955	340	2330	2330	2037	1500	1017
SPDD2500	150	2575	2660	355	2190	1955	340	2405	2405	2037	1494	1011
SPDD3000	200	3040	3061	465	2495	2065	419	2871	2760	2660	1746	1146
SPDD3000	250	3040	3061	504	2495	2091	419	2871	2760	2660	1746	1210

All figure tolerance 1%  
Subject to modification

Model	Filter Shipping Weight (2.5bar)	Shipping Volume
SPDD1050	199 kg	2.94 m <sup>3</sup>
SPDD1200	245 kg	3.70 m <sup>3</sup>
SPDD1400	303 kg	5.27 m <sup>3</sup>
SPDD1600	387 kg	6.87 m <sup>3</sup>
SPDD1800	415 kg	7.57 m <sup>3</sup>
SPDD2000	649 kg	10.0 m <sup>3</sup>
SPDD2350	1008 kg	13.91 m <sup>3</sup>



# Commercial Granular Filters Note: Please call for pricing.



## Micron Horizontal Filters

The Micron Horizontal Filter is a space-saving high performer; its compact horizontal design allows installation with minimum waste of space. The shape of the Micron horizontal filter is both attractive and functional. The spherical ends are designed to give uniform flow from both inlet and outlet collection assemblies. Micron Horizontal filters are available with a 500mm (M) filter media bed and a 1200mm (MD) filter media bed.

## MICRON COMMERCIAL HORIZONTAL FILAMENT WOUND FILTERS

ranges from 2.5 to 10 bar (10 bar not available in all models)

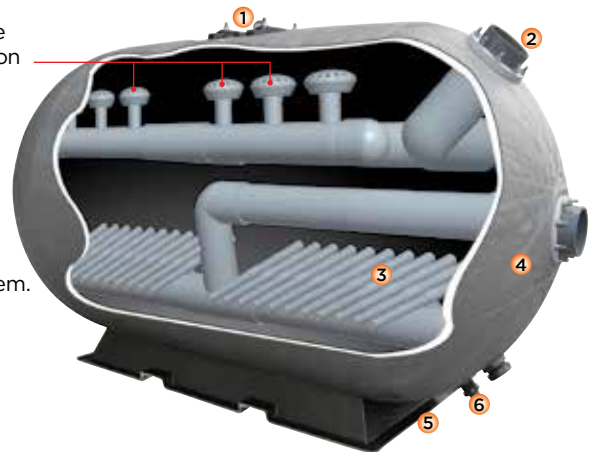
Micron Horizontal vessels are also available with a nozzle plate. The nozzle plate provides even distribution of air scouring and backwashing.

For the ultimate filtration solution of large filter bed area and effective backwashing, Micron Horizontal Nozzle Plate vessels are the perfect choice.

Micron Horizontal's lateral system reduces backwash run times, saves water and produces flatter more uniform filter media bed after backwashing.

Micron Horizontal filters include hydraulically efficient distribution manifolds, ensuring balanced circulation and filtration.

- 1 Elliptical positive sealing manways.
- 2 Flanged port of up to 10".
- 3 Hydraulically balanced distribution and lateral system.
- 4 Fibreglass wound tank, UV and corrosion resistant.
- 5 Large stable filter base for stable floor mounting.
- 6 Manual drain.





# Commercial Granular Filters Note: Please call for pricing.



## Specifications - Micron Horizontal Filters - M Series

Filter Model	Port Size	Bed Depth	Inner Diameter	Filter Area	Velocities and Flows				Media Volume	Sand or ECOPURE Glass		Glass Pearls 0.6-0.8	
					30m <sup>3</sup> /hr/m <sup>2</sup>	36m <sup>3</sup> /hr/m <sup>2</sup>	40m <sup>3</sup> /hr/m <sup>2</sup>	50m <sup>3</sup> /hr/m <sup>2</sup>		kgs		kgs	
					m <sup>3</sup> /hr		m <sup>3</sup> /hr			Litres	sub lateral gravel	above lateral media	sub lateral gravel
M2500	100	500	1480	2.50	75	90	100	#125	1452	435	1685	435	1864
M3750	100	500	1486	3.75	#113	#135	#150	#188	2370	691	2769	691	3063
M3750	150	500	1486	3.75	113	135	150	188	2370	691	2769	691	3063
M5000	150	500	1486	5.00	150	180	200	#259	3192	1064	3596	1064	3977

# Exceed recommended maximum flow rates

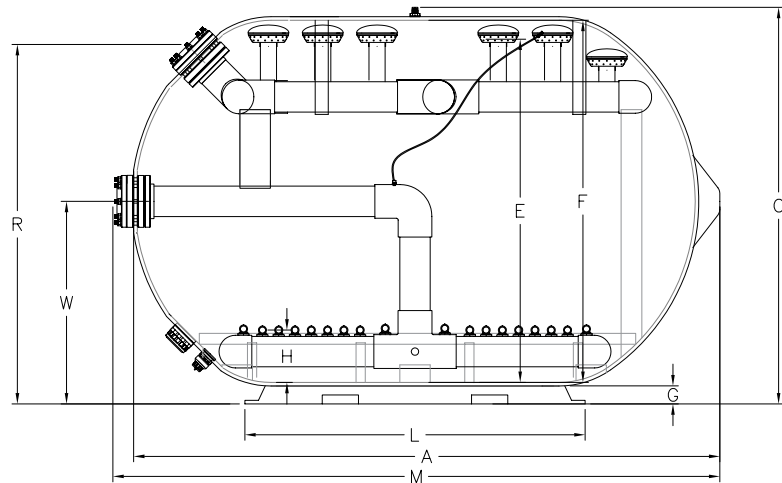
\* Recommended maximum flow rates for port size: 100mm/110mm(EU), 1800 lpm, 108m<sup>3</sup>/hr  
150mm/160mm(EU), 3420 lpm, 205.2m<sup>3</sup>/hr

## Dimension (mm) - M Series

Model	Port Size	A	C	W	R	L	E	F	G	H	M
M2500	100	2245	1620	740	1300	1400	1005	1260	150	255	2327
M3750	100	3230	1620	740	1300	2520	1005	1260	150	255	3312
M3750	150	3230	1620	740	1300	2520	945	1260	150	275	3312
M5000	150	4220	1620	740	1300	3570	945	1260	150	275	4301

All figure tolerance 1%  
Subject to modification

Horizontal deep bed filter - M & MD series



Model	Filter Shipping Weight (2.5bar)	Shipping Volume
M2500	170 kg	4.6 m <sup>3</sup>
M3750	270 kg	6.5 m <sup>3</sup>
M5000	410 kg	9.2m <sup>3</sup>

# Commercial Granular Filters Note: Please call for pricing.



## Specifications - Micron Horizontal Deep Bed Filters - MD Series

Filter Model	Port Size	Bed Depth	Inner Diameter	Filter Area	Velocities and Flows				Media Volume	Sand		ECO-PURE Glass		Glass Pearls 0.6-0.8	
					30m³/hr/m²	36m³/hr/m²	40m³/hr/m²	50m³/hr/m²		kgs		kgs		kgs	
					m³/hr		m³/hr			Litres	sub lateral gravel	Sand (above lateral)	sub lateral gravel	ECO-PURE Glass (above lateral)	sub lateral gravel
MD5000	150	1200	2000	5.0	150	180	200	#250	5788	774	7676	774	6309	774	8491
MD5500	150	1200	2000	5.5	165	198	#220	#275	6356	847	8433	847	6931	847	9329
MD6500	200	1200	2000	6.5	195	234	260	325	7548	1066	9954	1066	8182	1066	11011
MD8000	200	1200	2000	8.0	240	288	320	400	9795	1402	12898	1402	10601	1402	14628
MD10000	250	1200	2000	10.0	300	360	400	500	12116	1964	15726	1964	12926	1964	17396

# Exceed recommended maximum flow rates

\* Recommended maximum flow rates for port size: 150mm/160mm(EU), 3420 lpm, 205.2m³/hr  
200mm/200mm(EU), 6720 lpm, 403.2m³/hr  
250mm/280mm(EU), 8930 lpm, 535.8m³/hr

\*design backwash velocity

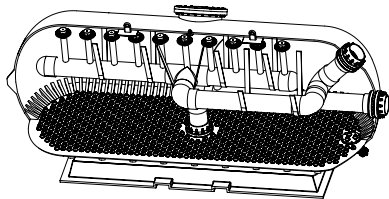
Model	Filter Shipping Weight (2.5bar)	Shipping Volume
MD5000	879 kg	11.7 m³
MD5500	590 kg	17.0 m³
MD6500	1110 kg	18.3 m³
MD8000	1450 kg	22.0 m³
MD10000	2110 kg	26.7 m³

## Dimension (mm) - MD Series

Model	Port Size	A	C	W	R	L	E	F	G	H	M
MD5000	150	2920	2190	1120	1988	1630	1889	2000	230	289	3026
MD5500	150	3252	2190	1120	1988	1880	1889	2000	230	289	3330
MD6500	200	3765	2190	1120	2020	2405	1890	2000	230	290	3890
MD8000	200	4516	2190	1120	2020	3155	1890	2000	230	290	4640
MD10000	250	5500	2190	1150	2050	4055	1890	2000	230	330	5650

All figure tolerance 1%

Subject to modification



Waterco manufactures horizontal nozzle plate filters with up to 10m² filter area and 1,200mm filter media bed depth - the largest fibreglass filter to receive AS/NZS 4020:2005 certification from the Australian Water Quality Centre.

## Specifications - Micron Horizontal Deep Bed - MPD Series

Filter Model	Port Size	Bed Depth	Inner Diameter	Filter Area	Velocities and Flows				Media Volume	Sand	ECO-PURE Glass	Glass Pearls 0.6-0.8				
					30m³/hr/m²	36m³/hr/m²	40m³/hr/m²	50m³/hr/m²					Litres	kgs	kgs	kgs
					m³/hr		m³/hr									
MPD6500	200	1200	2000	6.50	195	234	260	325	7055	10300	8466	11393				
MPD8000	200	1200	2000	8.00	240	288	320	400	8699	12700	10438	14048				
MPD10000	250	1200	2000	10.00	300	360	400	500	10959	16000	13151	17699				

\* Recommended maximum flow rates for port size: 200mm/200mm(EU), 6720 lpm, 403.2m³/hr  
250mm/280mm(EU), 8930 lpm, 535.8m³/hr

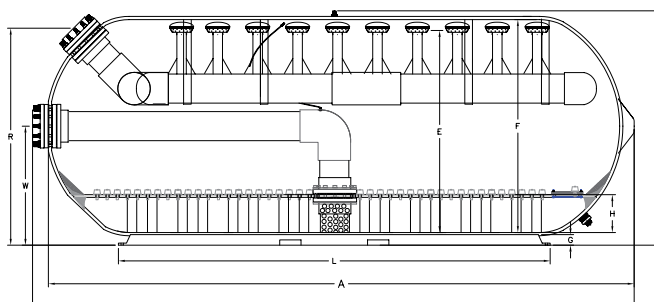
## Dimension (mm) - MPD Series

Model	Port Size	A	C	W	R	L	E	F	G	H	M
MPD6500	200	3765	2190	1120	2020	2405	1890	2000	230	286	3890
MPD8000	200	4516	2190	1120	2020	3155	1890	2000	230	330	4640
MPD10000	250	5500	2190	1150	2050	4055	1890	2000	230	330	5650

All figure tolerance 1%

Subject to modification

Horizontal deep bed filter - MPD series



# Commercial Granular Filters Note: Please call for pricing.



Designed for water treatment and commercial swimming pool facilities, built using the lasts in gel coated fibreglass technology.

- Durable
- Easy to maintain
- Flanged tank port connections
- Perfect for retrofit
- Easy transport
- Flexible configurations available
- Sight glass available



## HYDRON SPLIT TANK SIDE MOUNT DEEP BED FILTERS

### Ideal for retrofitting

Hydron Split tank can be delivered in two parts and assembled on site in the plant room. The two halves seal perfectly using a double o ring and are held together by a flange using bolts and nuts. The filter is specifically designed to fit through existing standard size plant room doors.

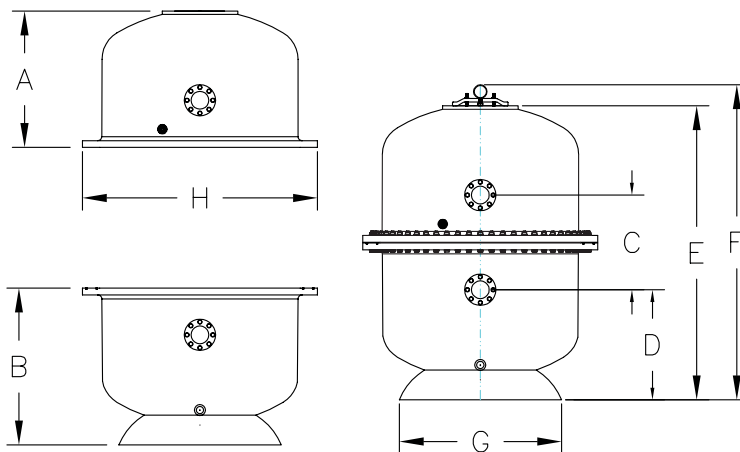
### Technical Specifications

Filter Model	Port Size	Bed Depth	Inner Diameter	Filter Area	Velocities and Flows				Media Volume	Sand		ECO-PURE Glass		Glass Pearls 0.6-0.8	
					30m³/hr/m²	36m³/hr/m²	40m³/hr/m²	50m³/hr/m²		kgs		kgs		kgs	
					m³/hr		m³/hr			Litres	sub lateral gravel	Sand (above lateral)	sub lateral gravel	ECO-PURE Glass (above lateral)	sub lateral gravel
SMDT 1200	80	1200	1200	1.13	34	41	45	57	1401	98	1947	98	1600	98	2154
SMDT 1400	100	1200	1400	1.54	46	55	62	77	1945	202	2638	202	2168	202	2918
SMDT 1600	100	1200	1600	2.01	60	72	80	101	2524	232	3453	232	2838	232	3819
SMDT 1800	150	1200	1800	2.54	76	92	102	127	3408	654	4321	654	3551	654	4779

*\*design backwash velocity for sand or glass media*

### Dimensions (mm)

Model	A	B	C	D	E	F	G	H
SMDT 1200	1010	1095	700	749	2088	2245	1045	1521
SMDT 1400	1008	1165	700	814	2170	2330	1200	1737
SMDT 1600	995	1130	700	829	2130	2285	1200	1943
SMDT 1800	1105	1100	700	789	2188	2355	1760	2105



## HYDRON SPLIT TANK SIDE MOUNT DEEP BED FILTERS

- 1200mm filter bed depth (4.0 Bar) excludes MPV

Part Number	Product Description	Nominal Size	NZ List Price	Retail Inc GST
	SMDT1200 c/w 80mm connections	48"	POA	
	SMDT1400 c/w 100mm connections	56"	POA	
	SMDT1600 c/w 100mm connections	64"	POA	
	SMDT1800 c/w 150mm connections	72"	POA	



## DUAL PRESSURE GAUGE

Waterco's Dual Pressure Gauge Panel is an extremely versatile pressure measurement and test instrument. It can simultaneously display the output of two pressure gauges, so that you can accurately monitor the filter's pressure drop.

### DUAL PRESSURE GAUGE

Part Number	Product Description	NZ List Price	Retail Inc GST
621640	Dual Pressure Gauge Panel Pewter	375.00	431.25



## COMMERCIAL STRAINER

The Hydro5000 Commercial strainer is a corrosion resistant thermoplastic strainer designed for aquatic facilities, water parks and large commercial swimming pools.

Hydro5000 commercial strainer's main body is constructed from an injection moulded glass reinforced thermoplastic. It's seamless one piece consists of no welds or seams or special tank linings which can corrode or electrolyse.

Hydro5000 strainers weigh less than a 1/3 the weight of its steel counterparts without any compromise in strength and durability.

### HYDRO5000 COMMERCIAL STRAINER

Part Number	Product Description	Nominal Size	NZ List Price	Retail Inc GST
2409058	Hydro5000 Commercial Strainer Suction 6" ANSI Flange/ Discharge 6" ANSI Flange	6"/6"	1,400.00	1,610.00
2409057	Hydro5000 Commercial Strainer Suction 4" JIS Flange/ Discharge 6" ANSI Flange	4"/6"	1,400.00	1,610.00
2409056	Hydro5000 Commercial Strainer Suction 4" Threaded/ Discharge 6" ANSI Flange	4"/6"	1,400.00	1,610.00
2408055	Hydro5000 Commercial Strainer Suction 6" ANSI Flange/ Discharge 4" JIS Flange	6"/4"	1,400.00	1,610.00
2408054	Hydro5000 Commercial Strainer Suction 4" Threaded/ Discharge 4" JIS Flange	4"/4"	1,400.00	1,610.00

## WATERCO FILTER MEDIA



Part Number	Product Description	Ref page	Pallet Qty	Carton Qty	NZ List Price	Retail Inc GST
<b>Sand</b>						
35306	Pea metal 2mm-5mm	-	50	20kg	29.90	34.39



<b>Glass</b>						
35320011	Glass Pearls 0.6 - 0.8mm	53	48	20kg	105.00	120.75
35320014	Ecopure Crushed Glass 0.5 - 1.0mm	53	50	20kg	45.60	52.44



<b>ZeoPlus</b>						
35350106	Waterco ZeoPlus	53	48	20kg	42.80	49.22



## MEDIA QUANTITY/BAG



Part Number	Product Description	Ref page	Bag quantity	NZ List Price	Retail Inc GST
35320051	Softening Resin	-	20kg/25L	450.00	517.50
353300092	Carbon	-	25kg / 54.4L	410.00	471.50
35340101	Anthracite	-	22kg / 32.5L	149.00	171.35
35300111	Sand (16/30, 0.5-1.0mm)	-	25kg / 17.1L	63.00	72.45
35300121	Sand (8/16, 1.0-2.0mm)	-	20kg / 13.7L	38.30	44.05
35350671	Gravel (6/8)(1/4x1/8, 2-5mm) (WA only)	-	25kg / 17.1L	55.00	63.25
35350672	Gravel (3 - 6mm)	-	20kg/13.7L	42.00	48.30
35354441	Gravel (6/8) (1/2x1/4, 6-12mm)	-	20kg / 14.7L	38.60	44.39
3530010	Garnet (0.2-0.6mm)	-	25kg / 10.5L	160.00	184.00



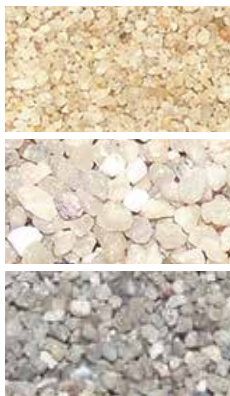
<b>Aquaperl</b>						
3511053	Aquaperl (Carton Pack)	54	4.5kg	70.00	80.50	
3511113	Aquaperl (Carton Pack)	54	10kg	99.50	114.43	



<b>Regenerating Salt</b>						
3521923	25kg Special Coarse Salt - Ezysoft water softener salt	-	25kg Bag	36.80	42.32	
35219201	20kg Special Coarse Salt - WA softener salt	-	20kg Bag	25.20	28.98	

Special coarse salt for regenerating softeners/purifiers.

# Filtration and Purification Media



## FILTER SAND

Filter sand is naturally occurring, graded and washed silicon dioxide. An inert media, it is hard and durable and has a long service life.

Nominal size : 0.6 - 1.2mm, 0.6 - 1.2mm

Bulk density : 1,500kg/m<sup>3</sup>

Package size : 20kg and 25kg



## GLASS PEARLS

Manufactured from pure glass, Glass Pearls are a new generation of filter media, capable of providing water of superior clarity.

Its spherical shape results in low coefficient of friction, reducing backwash requirements, saving pool owners both time and water.

- 3 micron filtration
- High purity
- Time saving
- 20% less backwash water
- Safe and smooth
- 0.6mm to 0.8mm in size

Package size : 20kg bag



## ECOPURE CRUSHED GLASS

Waterco's Glass filter media is manufactured from recycled glass, it is an environmentally friendly and viable alternative to sand. Plus it offers finer filtration than sand.

Nominal size : 0.5 - 1.0mm

Package size : 20kg bag



## ZEOPLUS

ZeoPlus is a naturally occurring mineral rock, found in areas where there has been historic volcanic activity. Its microporous structure and ammonia removal properties will significantly improve the quality of your swimming pool water.

Nominal size : 1.0 - 2.2mm

Bulk density : Around 1200kg/m<sup>3</sup>

Package size : 20kg bag



## WATERCO FILTER MEDIA

Part Number	Product Description	Pallet quantity	Carton Qty	NZ List Price	Retail Inc GST
<b>Sand</b>					
35303	Waterco Sand (0.6 - 1.2mm)	50	20kg	21.80	25.07
35304	Waterco Sand (0.6 - 1.2mm)	40	25kg	24.40	28.06
35306	Pea metal 2mm-5mm	50	20kg	29.90	34.39
<b>Glass</b>					
35320011	Glass Pearls 0.6 - 0.8mm	48	20kg	105.00	120.75
35320014	Ecopure Crushed Glass 0.5 - 1.0mm	50	20kg	45.60	52.44
<b>ZeoPlus</b>					
35350106	Waterco ZeoPlus	48	20kg	42.80	49.22

# Filtration and Purification Media



## AQUAPERL

AquaPerl® is a new, lightweight filter media for swimming pools, engineered to use in diatomaceous earth (D.E.) filters. It is a direct replacement for D.E. filter media.

AquaPerl is superior to D.E. in removing dirt and oil contaminants from swimming pools for the following reasons:

- AquaPerl's higher solids and oil holding capacity results in longer filtration cycles.
- AquaPerl's lower density allows for a uniform precoat thickness and deposition on element, resulting in quick and complete backwashing and filter aid regeneration

Nominal size : 5 micron

Bulk density : 210kg/m<sup>3</sup>

Package size : 4.5kg and 10kg Bag

## AQUAPERL

Part Number	Product Description	Bag quantity	NZ List Price	Retail Inc GST
3511053	Aquaperl (Carton Pack)	4.5kg	70.00	80.50
3511113	Aquaperl (Carton Pack)	10kg	99.50	114.43



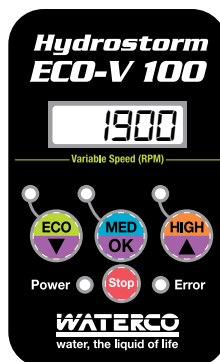
# Slash energy use by up to 82%

## HYDROSTORM **ECO-V** Energy Saving Variable Speed Pump

Equipped with an energy saving variable speed motor, Hydrostorm ECO-V pump is capable of lowering its motor speed and lowering its energy consumption.



Fine tune the pump's motor speed to perfectly match your pool's flow requirements, maximising energy savings and minimising pump noise.



[www.waterco.com](http://www.waterco.com)

For more information, please contact your nearest Waterco branch for more details and availability.

NSW 02 9898 8686 QLD 07 3299 9900 VIC 03 9764 1211 SA 08 8244 6000 WA 08 9273 1900 NZ 09 525 7570



## PUMP ACCESSORIES

Part Number	Product Description	Ref page	Nominal Size	NZ List Price	Retail Inc GST
634086	Waterco univaler pump lid tool bar	-		18.30	21.05

## SUPASTREAM PUMPS - 40mm/50mm ports (3 year warranty) (conditional)



Part Number	Product Description	Ref page	Nominal Size	NZ List Price	Retail Inc GST
2403050	Supastream 050 - 40mm ports (1 phase)	59	0.50hp	710.00	816.50
240307550	Supastream 075 - 40mm/50mm ports (1 phase)	59	0.75hp	760.00	874.00
240310050	Supastream 100 - 40mm/50mm ports (1 phase)	59	1.00hp	780.00	897.00
240315050	Supastream 150 - 40mm/50mm ports (1 phase)	59	1.50hp	870.00	1,000.50

## AQUASTREAM MKII SOLAR PUMPS - 40mm ports (3 year warranty) (conditional)



Part Number	Product Description	Ref page	Nominal Size	NZ List Price	Retail Inc GST
24530500	Aquastream MKII Solar 050 - 40mm ports (1 phase)	60	0.50hp	720.00	828.00
24530750	Aquastream MKII Solar 075 - 40mm ports (1 phase)	60	0.75hp	750.00	862.50
24531000	Aquastream MKII Solar 100 - 40mm ports (1 phase)	60	1.00hp	760.00	874.00
24531500	Aquastream MKII Solar 150 - 40mm ports (1 phase)	60	1.50hp	870.00	1,000.50

## SUPATUF PUMPS MKII - 50mm ports (3 year warranty) (conditional)



Part Number	Product Description	Ref page	Nominal Size	NZ List Price	Retail Inc GST
24110002	Supatuf 100 - 50mm ports (1 phase) MKII	61	1.00hp	1,150.00	1,322.50
24115002	Supatuf 150 - 50mm ports (1 phase) MKII	61	1.50hp	1,200.00	1,380.00
2412000	Supatuf 200 - 50mm ports (1 phase) MKII	61	2.00hp	1,300.00	1,495.00

## HYDROSTORM PUMPS - High Head - 50mm ports (3 year warranty) (conditional)



Part Number	Product Description	Ref page	Nominal Size	NZ List Price	Retail Inc GST
244100	Hydrostorm 100 - 50mm ports (1 phase)	62	1.00hp	1,300.00	1,495.00
244150	Hydrostorm 150 - 50mm ports (1 phase)	62	1.50hp	1,400.00	1,610.00
244200	Hydrostorm 200 - 50mm ports (1 phase)	62	2.00hp	1,450.00	1,667.50

## HYDROSTORM PLUS PUMPS - High Head (3 year warranty) (conditional)



Part Number	Product Description	Ref page	Nominal Size	NZ List Price	Retail Inc GST
2405250	Hydrostorm Plus 250 - 50mm ports (1 phase)	63	2.50hp	1,650.00	1,897.50
2405300	Hydrostorm Plus 300 - 65mm ports (1 phase)	63	3.00hp	1,750.00	2,012.50

## TURBOFLO PUMP (3 year warranty) (conditional)



Part Number	Product Description	Ref page	Nominal Size	NZ List Price	Retail Inc GST
2462100	TurboFlo 100 - 50mm ports (1 phase)	65	1.00hp	930.00	1,069.50
2462150	TurboFlo 150 - 50mm ports (1 phase)	65	1.50hp	1,050.00	1,207.50
2462200	TurboFlo 200 - 50mm ports (1 phase)	65	2.00hp	1,150.00	1,322.50
2462300	TurboFlo 300 - 50mm ports (1 phase)	65	3.00hp	1,400.00	1,610.00

## ALPHAFLO PUMPS - 50mm ports (3 year warranty)



Part Number	Product Description	Ref page	Nominal Size	NZ List Price	Retail Inc GST
248100	Alphaflo 100 - 40/50mm ports (1 phase) - ETA October 2023	-	1.00hp	981.82	1,080.00
248150	Alphaflo 150 - 40/50mm ports (1 phase) - ETA October 2023	-	1.50hp	1,072.73	1,180.00
248200	Alphaflo 200 - 40/50mm ports (1 phase) - ETA October 2023	-	2.00hp	1,150.0	1,265.00



## POOL SWEEP PUMP (3 year warranty)

Part Number	Product Description	Ref page	Nominal Size	NZ List Price	Retail Inc GST
246803	Sweepmaster 150	62	1.50hp	1,150.00	1,322.50
2468030	Sweepmaster 150 w/flexible hose kit (246803 + 132306)	62	1.50hp	1,400.00	1,610.00
132306	Sweepmaster flexible hose kit	62		151.00	173.65



## ECO & ECO-V PUMPS (3 year warranty) (conditional)

Part Number	Product Description	Ref page	Nominal Size	NZ List Price	Retail Inc GST
24415090	Hydrostorm 150 ECO-V with Comm. Cable	66	1.50hp	2,550.00	2,932.50
2441509	Hydrostorm 150 ECO-V - 50mm Ports (1Phase)	66	1.50hp	2,500.00	2,875.00
24410090	Hydrostorm 100 ECO-V with Comm. Cable	66	1.00hp	2,250.00	2,587.50
2441009	Hydrostorm 100 ECO-V - 50mm ports (1 phase)	66	1.00hp	2,100.00	2,415.00
24110009	Supatuf Pump 100 ECO-V Mk2 40/50mm Ports (1 Phase)	67	1.00hp	1,850.00	2,127.50
2481009	Alphaflo 100 ECO-V 40/50mm Ports (1 phase) - ETA November 2023	68	1.00hp		
2481509	Alphaflo 150 ECO-V 40/50mm Ports (1 phase) - ETA November 2023	64	1.50hp		
851807	Communications Cable (Suits ECO-V 100 & ECO-V 150 Pumps)		ECO-V	114.00	131.10



## TURBOFLO PUMPS (Marine Grade Seal)

Part Number	Product Description	Ref page	Nominal Size	NZ List Price	Retail Inc GST
24621004	TurboFlo 100 - 50mm ports (1 phase) with marine grade seal	65	1.00hp	1,200.00	1,380.00
24622004	TurboFlo 200 - 50mm ports (1 phase) with marine grade seal	65	2.00hp	1,400.00	1,610.00



## HYDROSTORM PUMPS - High Head (Marine Grade Seal)

Part Number	Product Description	Ref page	Nominal Size	NZ List Price	Retail Inc GST
2441004	Hydrostorm 100 - 50mm ports (1 phase) with marine grade seal	62	1.00hp	1,500.00	1,725.00
2441504	Hydrostorm 150 - 50mm ports (1 phase) with marine grade seal	62	1.50hp	1,700.00	1,955.00

## HYDROSTAR MKIV PUMPS - 80mm ports (3 year warranty)



Part Number	Product Description	Ref page	Nominal Size	NZ List Price	Retail Inc GST
2404200333	Hydrostar 200 MKIV IE3 - 80mm ports (3 phase)		2.0hp	2,550.00	2,932.50
2404300333	Hydrostar 300 MKIV IE3 - 80mm ports (3 phase)		3.0hp	2,800.00	3,220.00
2404400333	Hydrostar 400 MKIV IE3 - 80mm ports (3 phase)	69	4.0hp	3,000.00	3,450.00
2404550333	Hydrostar 550 MKIV IE3 - 80mm ports (3 phase)	69	5.7hp	3,200.00	3,680.00
2404700333	Hydrostar 700 MKIV IE3 - 80mm ports (3 phase)	69	7.2hp	3,650.00	4,197.50

## HYDROSTAR MKIV PUMPS - with Marine Seals (3 year warranty) conditional



Part Number	Product Description	Ref page	Nominal Size	NZ List Price	Retail Inc GST
24044003334	Hydrostar 400 MKIV IE3 - 80mm ports (3 phase) c/w marine seal	69	4.0hp	3,300.00	3,795.00
24045503334	Hydrostar 550 MKIV IE3 - 80mm ports (3 phase) c/w marine seal	69	5.7hp	3,700.00	4,255.00
24047003334	Hydrostar 700 MKIV IE3 - 80mm ports (3 phase) c/w marine seal	69	7.2hp	3,850.00	4,427.50

## HYDROSTAR PLUS PUMPS - with Marine Seals (3 year warranty) conditional



Part Number	Product Description	Ref page	Nominal Size	NZ List Price	Retail Inc GST
24607504	Hydrostar PLUS 5.5 kW c/w Marine Seal	70	7.5hp / 5.5kw	7,150.00	8,222.50
24610004	Hydrostar PLUS 7.5 kW c/w Marine Seal	70	10.0hp / 7.5kw	7,950.00	9,142.50
24612504	Hydrostar PLUS 9.5 kW c/w Marine Seal	70	14.0hp / 9.5kw	9,350.00	10,752.50
24615004	Hydrostar PLUS 11kW c/w Marine Seal	70	15.0hp/11kw	10,450.00	12,017.50

## HYDRO5000 COMMERCIAL STRAINER



Part Number	Product Description	Ref page	Nominal Size	NZ List Price	Retail Inc GST
2409058	Hydro5000 Commercial Strainer Suction 6" ANSI Flange/ Discharge 6" ANSI Flange	71	6"/6"	1,400.00	1,610.00
2409057	Hydro5000 Commercial Strainer Suction 4" JIS Flange/ Discharge 6" ANSI Flange	71	4"/6"	1,400.00	1,610.00
2409056	Hydro5000 Commercial Strainer Suction 4" Threaded/ Discharge 6" ANSI Flange	71	4"/6"	1,400.00	1,610.00
2408055	Hydro5000 Commercial Strainer Suction 6" ANSI Flange/ Discharge 4" JIS Flange	71	6"/4"	1,400.00	1,610.00
2408054	Hydro5000 Commercial Strainer Suction 4" Threaded/ Discharge 4" JIS Flange	71	4"/4"	1,400.00	1,610.00

## SEA WATER MECHANICAL SEAL

Part Number	Product Description	Ref page	NZ List Price	Retail Inc GST
	1" for Hydrostar Plus 5.5kW, 7.5kW, 9.5kW			
	3/4" all other Waterco pumps			
63401624	Sea water mechanical seal 1"	-	380.00	437.00
63401625	Sea water mechanical seal 3/4"	-	520.00	598.00

## HYDROSTAR 1450 PUMPS



Part Number	Product Description	Ref page	NZ List Price	Retail Inc GST	
2470500	Hydrostar PLUS 1450 3.7kW	72	3.7kW/5.0HP	8,050.00	9,257.50
2470750	Hydrostar PLUS 1450 5.5kW	72	5.5kW/7.5HP	8,100.00	9,315.00
2471000	Hydrostar PLUS 1450 7.5kW	72	7.5kW/10HP	9,000.00	10,350.00
2470501	Hydrostar PLUS 1450 3.7kW	72	3.7kW/5.0HP	7,100.00	8,165.00
2470751	Hydrostar PLUS 1450 5.5kW	72	5.5kW/7.5HP	7,150.00	8,222.50
2471001	Hydrostar PLUS 1450 7.5kW	72	7.5kW/10HP	8,100.00	9,315.00
12161002	Hydrostar PLUS Flange Kits	-	890.00	1,023.50	

## TURBOFLO AQUA - 50mm ports (3 year warranty) conditional



Part Number	Product Description	Ref page	NZ List Price	Retail Inc GST
24620260	Turboflo Aqua 8000 pump	73	1,100.00	1,265.00
24620261	Turboflo Aqua 10000 pump	73	1,100.00	1,265.00
24620262	Turboflo Aquatic 12000 pump	73	1,200.00	1,380.00
24620263	Turboflo Aquatic 16000 pump	73	1,350.00	1,552.50
24620264	Turboflo Aquatic 21000 pump	73	1,700.00	1,955.00

# Pumps



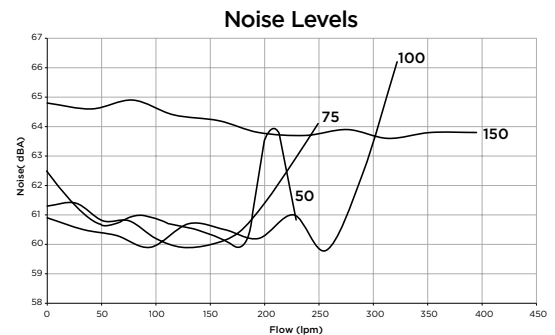
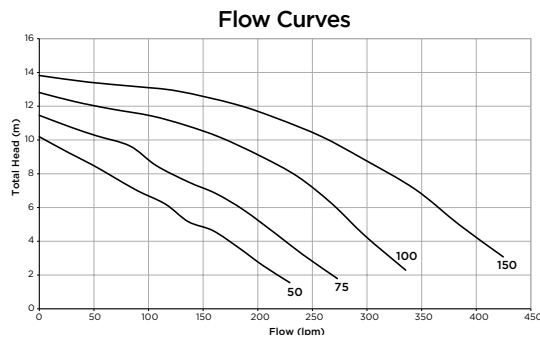
## SUPASTREAM PUMP

Part Number	Product Description	Nominal Size
2403050	Supastream 050 - 40mm ports (1 phase)	0.50hp
240307550	Supastream 075 - 40mm/50mm ports (1 phase)	0.75hp
240310050	Supastream 100 - 40mm/50mm ports (1 phase)	1.00hp
240315050	Supastream 150 - 40mm/50mm ports (1 phase)	1.50hp

Supastream pumps are general purpose pumps designed for use in swimming pools and low pressure water re-circulation applications.

- 1.5 L strainer basket.
- Protected by secondary seal.

Pump	Inlet / outlet	Strainer basket size
Supastream 50	40mm	1.5
Supastream 75, 100 & 150	40/50mm	1.5

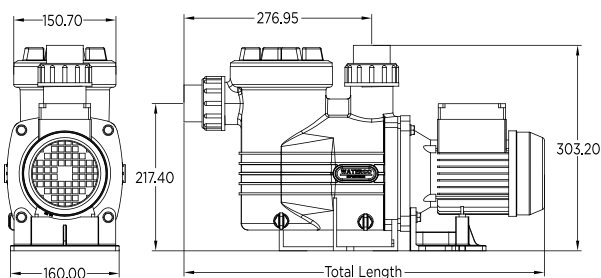


## Specifications

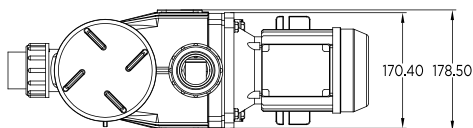
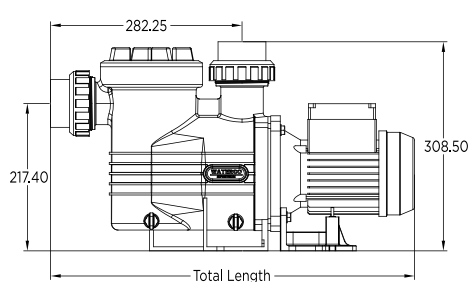
Model	Flow Rate (lpm)		Nom. HP	kW	Amps	Total Length (mm)
	6m	8m				
Supastream 50	120	60	0.50	0.563	2.55	575
Model	Flow Rate (lpm)		Nom. HP	kW	Amps	Total Length (mm)
	8m	10m				
Supastream 75	119	63	0.75	0.626	2.82	575
Supastream 100	234	169	1.00	0.793	3.50	575
Supastream 150	320	263	1.50	1.056	4.76	596

Phase	Volts	Cycle	RPM
1	220-240	50	2810

### Supastream 50



### Supastream 75, 100 & 150



## Warranty

Pumps	3 years (conditional)*
Wet End	3 years
Motor, mechanical seal, o'ring, basket & impeller	2 years
Commercial applications	1 year
Labour	1 year

\* Please refer to Waterco's warranty terms and conditions

## SUPASTREAM PUMPS

Part Number	Product Description	Nominal Size	NZ List Price	Retail Inc GST
2403050	Supastream 050 - 40mm ports (1 phase)	0.50hp	710.00	816.50
240307550	Supastream 075 - 40mm/50mm ports (1 phase)	0.75hp	760.00	874.00
240310050	Supastream 100- 40mm/50mm ports (1 phase)	1.00hp	780.00	897.00
240315050	Supastream 150- 40mm/50mm ports (1 phase)	1.50hp	870.00	1,000.50

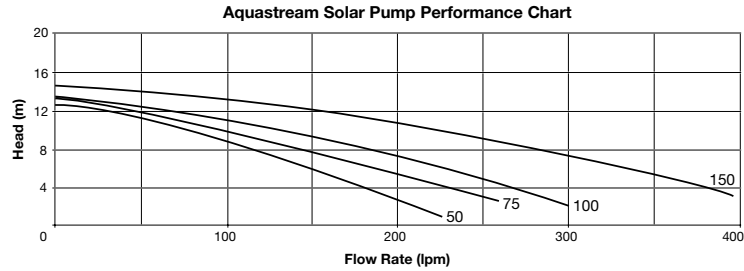


## AQUASTREAM MKII SOLAR PUMP

Part Number	Product Description	Nominal Size
24530500	Aquastream MKII Solar 050 - 40mm ports (1 phase)	0.50hp
24530750	Aquastream MKII Solar 075 - 40mm ports (1 phase)	0.75hp
24531000	Aquastream MKII Solar 100 - 40mm ports (1 phase)	1.00hp
24531500	Aquastream MKII Solar 150 - 40mm ports (1 phase)	1.50hp

Aquastream solar pumps incorporate essential features required to make them compatible with solar pool heating systems.

- Protected by secondary seal.

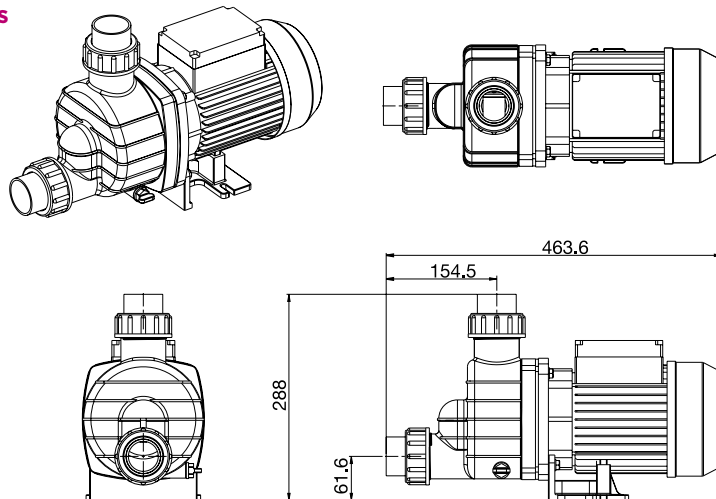


### Specifications

Model	Nominal hp	kW	Amps	Total Length (mm)	Motor Frame (mm)	Inlet/Outlet
Aquastream Solar 50	0.5	0.58	2.5	465	63	40mm ports x / 40mm unions
Aquastream Solar 75	0.75	0.65	3.0	465	63	40mm ports x / 40mm unions
Aquastream Solar 100	1.00	0.76	3.33	465	63	40mm ports x / 40mm unions
Aquastream Solar 150	1.50	1.15	5.0	465	72	40mm ports x / 40mm unions

Phase	Volts	Cycle	RPM
1	220-240	50	2860

### Dimensions



### AQUASTREAM MKII SOLAR PUMPS - 40mm ports (3 year warranty) conditional

Part Number	Product Description	Nominal Size	NZ List Price	Retail Inc GST
24530500	Aquastream MKII Solar 050 - 40mm ports (1 phase)	0.50hp	720.00	828.00
24530750	Aquastream MKII Solar 075 - 40mm ports (1 phase)	0.75hp	750.00	862.50
24531000	Aquastream MKII Solar 100 - 40mm ports (1 phase)	1.00hp	760.00	874.00
24531500	Aquastream MKII Solar 150 - 40mm ports (1 phase)	1.50hp	870.00	1,000.50

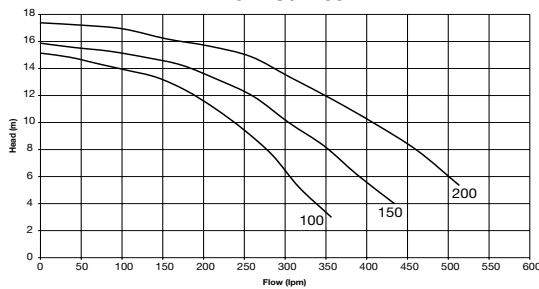


## SUPATUF MK2 PUMP

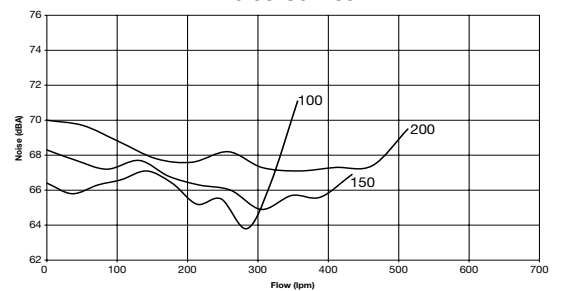
The Supatuf MK2 pump is ideal for large domestic swimming pools with ancillary systems such as heating, infloor cleaning, fountains, vacuum cleaning and swim jets.

- 2.1 L strainer basket.
- Protected by secondary seal.

Flow Curves



Noise Curves

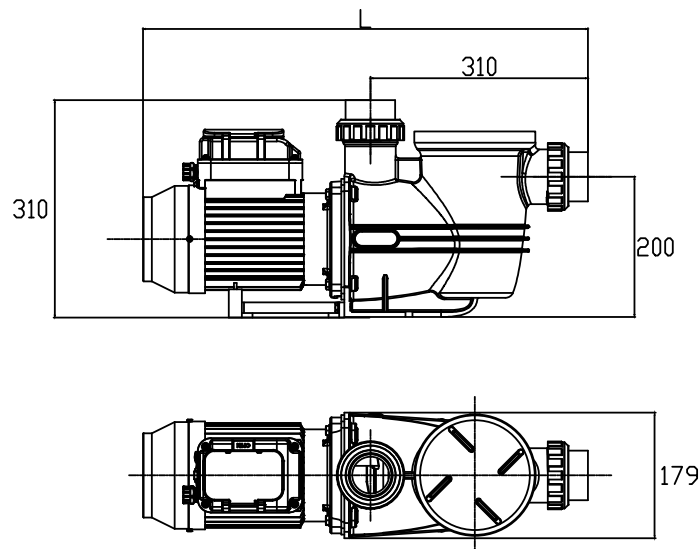


### Specifications

Model	Flow Rate (lpm)		Nom. hp	kW	Amps	Total Length (mm)	Motor Frame (mm)
	8m	10m					
Supatuf Mk2 100	275	240	1.00	0.84	3.70	602	71
Supatuf Mk2150	355	305	1.50	1.15	5.30	623	80
Supatuf Mk2 200	465	410	2.00	1.50	7.20	663	80

Pump	Inlet / outlet	Strainer basket size
Supatuf MK2	50mm	2.1

Phase	Volts	Cycle	RPM
1	220-240	50	2860



### SUPATUF PUMPS MKII - 50mm ports (3 year warranty)

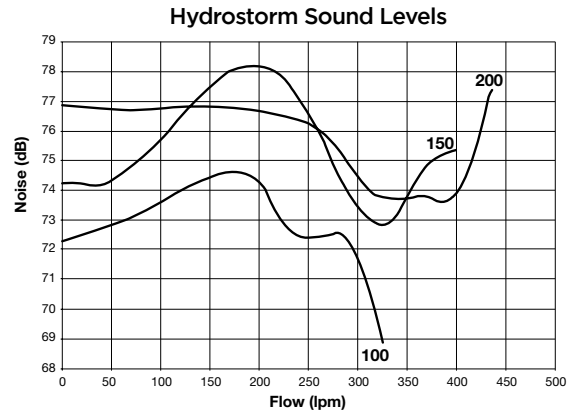
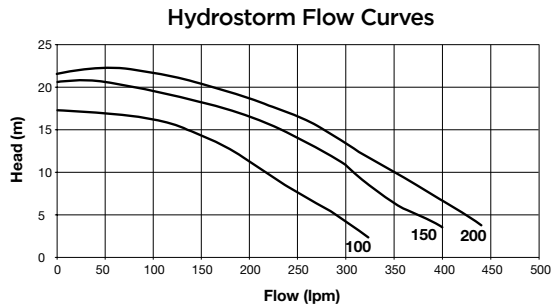
Part Number	Product Description	Nominal Size	NZ List Price	Retail Inc GST
24110002	Supatuf 100 - 50mm ports (1 phase) MKII	1.00hp	1,150.00	1,322.50
24115002	Supatuf 150 - 50mm ports (1 phase) MKII	1.50hp	1,200.00	1,380.00
2412000	Supatuf 200 - 50mm ports (1 phase) MKII	2.00hp	1,300.00	1,495.00



## HYDROSTORM PUMP

The Hydrostorm is designed to have all the extra power you need to cope with modern day swimming pool designs.

- 2.1 L strainer basket.

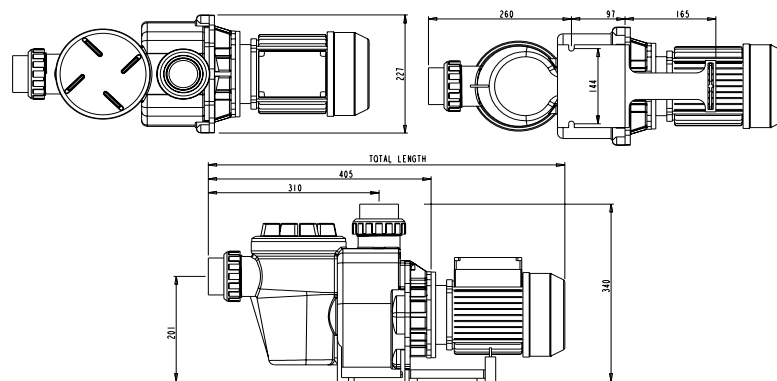


### Technical Specifications

Model	Flow Rate (lpm)		Nom. hp	kW	Amps	Phase	Total Length (mm)	Motor Frame (mm)	Inlet/Outlet
	8m	10m							
Hydrostorm 100	250	225	1	0.91	4.00	1	600	71	50mm ports x / 50mm unions
Hydrostorm 150	350	315	1.5	1.31	5.80	1	647	80	50mm ports x / 50mm unions
Hydrostorm 200	370	350	2	1.46	6.60	1	647	80	50mm ports x / 50mm unions

Phase	Volts	Cycle	RPM
1	220-240	50	2860

### Dimension



### HYDROSTORM PUMPS - High Head - 50mm ports (3 year warranty) conditional

Part Number	Product Description	Nominal Size	NZ List Price	Retail Inc GST
244100	Hydrostorm 100 - 50mm ports (1 phase)	1.00hp	1,300.00	1,495.00
244150	Hydrostorm 150 - 50mm ports (1 phase)	1.50hp	1,400.00	1,610.00
244200	Hydrostorm 200 - 50mm ports (1 phase)	2.00hp	1,450.00	1,667.50

### HYDROSTORM PUMPS (Marine Grade Seal)

Part Number	Product Description	Nominal Size	NZ List Price	Retail Inc GST
2441004	Hydrostorm 100 - 50mm ports (1 phase) with marine grade seal	1.00hp	1,500.00	1,725.00
2441504	Hydrostorm 150 - 50mm ports (1 phase) with marine grade seal	1.50hp	1,700.00	1,955.00



## HYDROSTORM PLUS PUMP

Part Number	Product Description	Nominal Size
2405250	Hydrostorm Plus 250 - 50mm ports (1 phase)	2.50hp
2405300	Hydrostorm Plus 300 - 65mm ports (1 phase)	3.00hp

The Hydrostorm plus has all the proven features of the Hydrostorm with the addition of an innovative lid & lock ring for easier maintenance and a larger strainer basket for increased capacity.

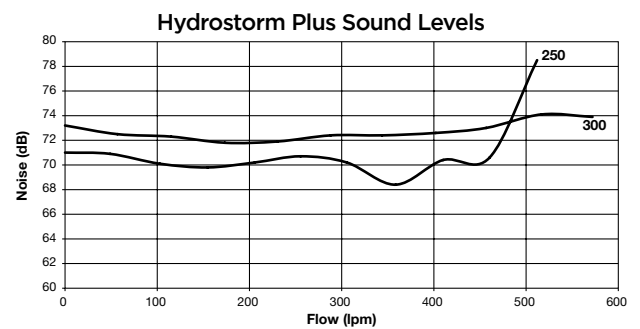
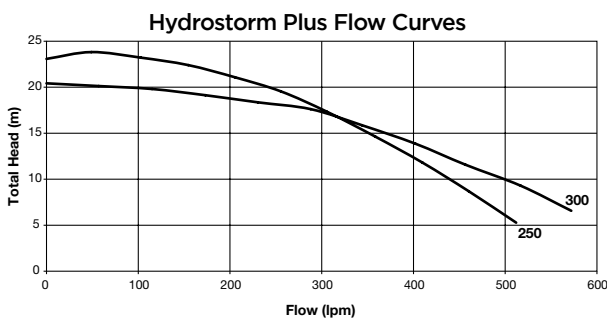
- 2.25 L strainer basket.

### Technical Specifications

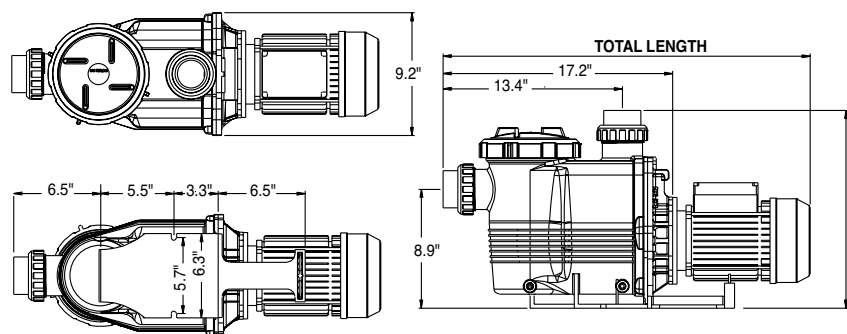
Model	Flow Rate (lpm)		Nom. hp	kW	Amps	Phase	Total Length (mm)	Motor Frame (mm)	Inlet/Outlet
	8m	10m							
Hydrostorm Plus 250	470	440	2.5	1.88	8.2	1	678	80	65mm ports x / 50mm unions
Hydrostorm Plus 300	540	500	3	2.02	9.3*	1	730	90	65mm ports x / 50mm unions

Please Note: Hydrostorm Plus 3 phase models are available on request. \*15 Amp Power Lead Plug.

Phase	Volts	Cycle	RPM
1	220-240	50	2860



### Dimension



## HYDROSTORM PLUS PUMPS - High Head (3 year warranty) conditional

Part Number	Product Description	Nominal Size	NZ List Price	Retail Inc GST
2405250	Hydrostorm Plus 250 - 50mm ports (1 phase)	2.50hp	1,650.00	1,897.50
2405300	Hydrostorm Plus 300 - 65mm ports (1 phase)	3.00hp	1,750.00	2,012.50



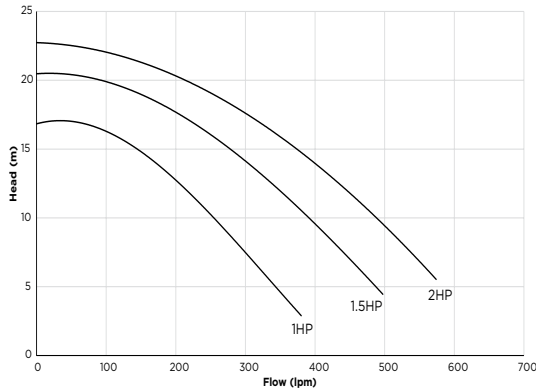


## ALPHAFLO PUMPS

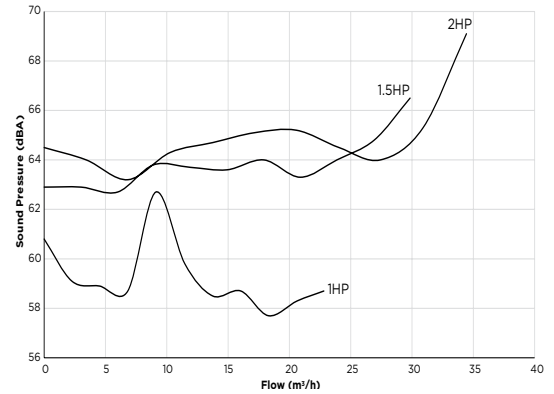
The New Alphaflo pool pump is equipped with a newly designed impeller and diffuser that improves water flow and reduces head loss. The pump body has also been specially designed to improve water flow and pump operating noise by reducing water turbulence. Plus a new heavy-duty pump bracket, which helps in absorbing motor vibration.

- Excellent Head & Flow capabilities.

### Alphaflo Flow Curves



### Alphaflo Sound Levels

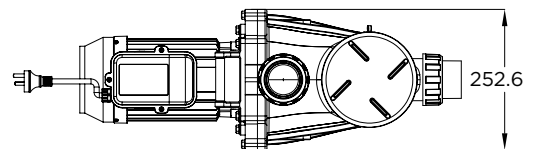
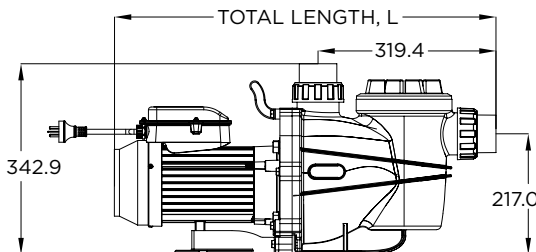


### Technical Specifications

Model	Flow Rate (lpm)		Nom. hp	kW	Amps	Phase	Total Length (mm)	Motor Frame (mm)	Inlet/Outlet
	8m	10m							
Alphaflo 100	295	258	1	1.06	4.7	1	626	71	50mm ports x / 50mm unions
Alphaflo 150	430	390	1.5	1.61	6.9	1	645	80	50mm ports x / 50mm unions
Alphaflo 200	530	490	2	2.05	9.0	1	685	80	50mm ports x / 50mm unions

Phase	Volts	Cycle	RPM
1	220-240	50	2860

### Dimension



### ALPHAFLO PUMPS - 50mm ports (3 year warranty)

Part Number	Product Description		Nominal Size	List Price	Price Incl. GST
248100	Alphaflo 100 - 40/50mm ports (1 phase)	ETA October 2023	1.00hp	981.82	1,080.00
248150	Alphaflo 150 - 40/50mm ports (1 phase)	ETA October 2023	1.50hp	1,072.73	1,180.00
248200	Alphaflo 200 - 40/50mm ports (1 phase)	ETA October 2023	2.00hp	1,150.00	1,265.00

# Pumps



## TURBOFLO PUMP

Part Number	Product Description	Nominal Size
2462100	TurboFlo 100 - 50mm ports (1 phase)	1.00hp
2462150	TurboFlo 150 - 50mm ports (1 phase)	1.50hp
2462200	TurboFlo 200 - 50mm ports (1 phase)	2.00hp
2462250	TurboFlo 250 - 50mm ports (1 phase)	2.50hp
2462300	TurboFlo 300 - 50mm ports (1 phase)	3.00hp

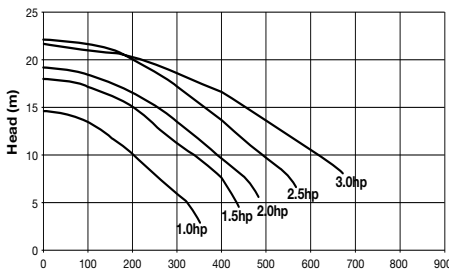
TurboFlo is a hydraulically efficient, high performance pump designed for pools and spas with high power requirements. It has an adjustable wet end which can be configured to suit up to 5 different plumbing conditions.

### Technical Specifications

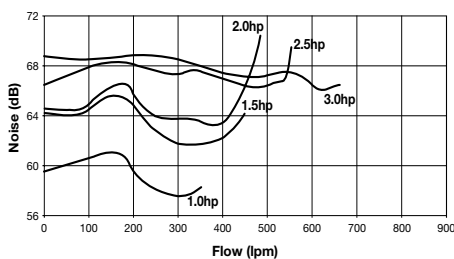
Model	Nominal Power (hp)	Motor Input (kW)	Amps	Phase	Total Length (mm)	Motor Frame (mm)	Weight (kg)	Inlet/Outlet
TurboFlo 100	1.00	0.94	4.1	1	445	71	10.4	50mm ports
TurboFlo 150	1.50	1.40	5.9	1	445	80	13.4	50mm ports
TurboFlo 200	2.00	1.50	6.4	1	445	80	13.4	50mm ports
TurboFlo 250	2.50	1.70	7.2	1	445	80	14.6	50mm ports
TurboFlo 300	3.00	2.10	9.1	1	483	90	16.9	50mm ports

Phase	Volts	Cycle	RPM
1	220-240	50	2860
3	380-420	50	2860

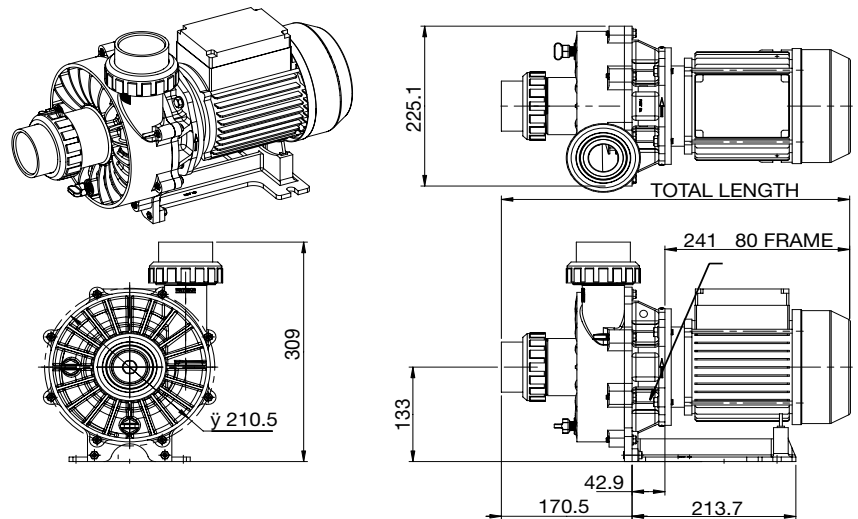
### Flow Curve



### Sound Levels



### Dimensions



### Warranty

Pumps	3 years (conditional)*
Wet End	3 years
Motor, mechanical seal, o'ring, basket & impeller	2 years
Commercial applications	1 year
Labour	1 year

\* Please refer to Waterco's warranty terms and conditions

### TURBOFLO PUMP (3 year warranty) (conditional)

Part Number	Product Description	Nominal Size	NZ List Price	Retail Inc GST
2462100	TurboFlo 100 - 50mm ports (1 phase)	1.00hp	886.10	1,019.02
2462150	TurboFlo 150 - 50mm ports (1 phase)	1.50hp	980.00	1,127.00
2462200	TurboFlo 200 - 50mm ports (1 phase)	2.00hp	1,080.40	1,242.46
2462300	TurboFlo 300 - 50mm ports (1 phase)	3.00hp	1,350.50	1,553.08

### TURBOFLO PUMP (Marine Grade Seal)

Part Number	Product Description	Nominal Size	NZ List Price	Retail Inc GST
24621004	TurboFlo 100 - 50mm ports (1 phase) with marine grade seal	1.00hp	1,200.00	1,380.00
24622004	TurboFlo 200 - 50mm ports (1 phase) with marine grade seal	2.00hp	1,400.00	1,610.00

### PUMP ACCESSORIES

Part Number	Product Description	Nominal Size	NZ List Price	Retail Inc GST
634086	Waterco univernal pump lid tool bar		18.30	21.05



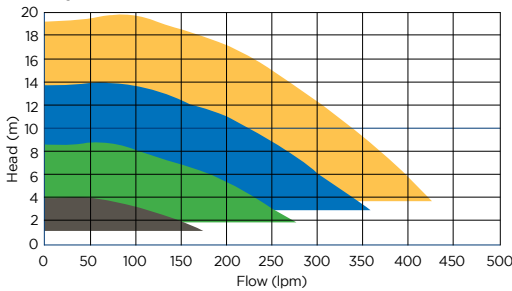
## HYDROSTORM ECO-V PUMP

Part Number	Product Description	Nominal Size
2441509	Hydrostorm 150 ECO-V - 50mm Ports (1 phase)	1.50hp
2441009	Hydrostorm 100 ECO-V - 50mm ports (1 phase)	1.00hp

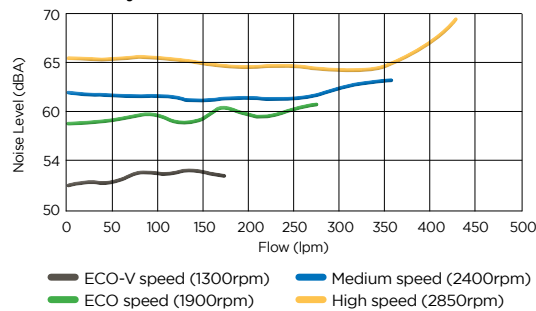
Hydrostorm ECO-V pumps are designed to have all the extra power you need to cope with modern day swimming pool designs, and are equipped with an energy saving variable speed motor that offers the finest adjustment in operating speed. With 25 RPM increments, it allows for fine tuning of the pump's motor speed to perfectly match the flow requirements of the swimming pool whilst at the same time maximizing energy savings and minimising pump noise

- Energy Rating of 8 Stars.
- Variable permanent magnet brushless DC motor.
- Ultra quiet operation.

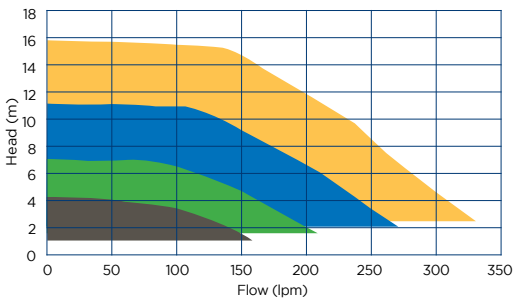
Hydrostorm ECO-V 150 Performance Curves



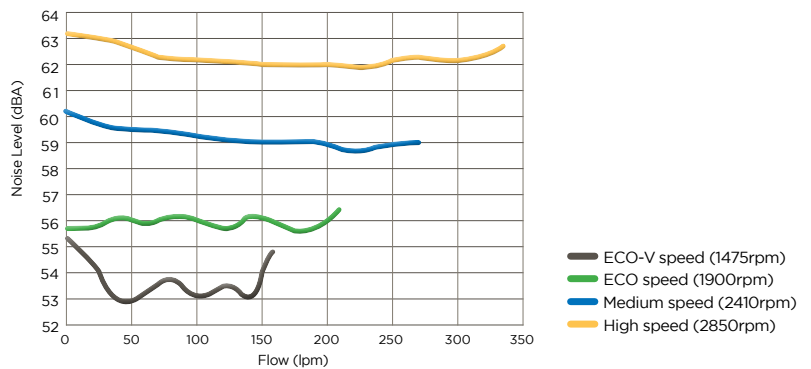
Hydrostorm ECO-V 150 Noise Levels



Hydrostorm ECO-V 100 Performance Curves



Hydrostorm ECO-V 100 Noise Levels



### Warranty

Pumps	3 years (conditional)*
Wet End	3 years
Motor, mechanical seal, hair & lint pot lid, o'ring, basket, impeller & diffuser	2 years
Commercial applications	1 year
Labour	1 year

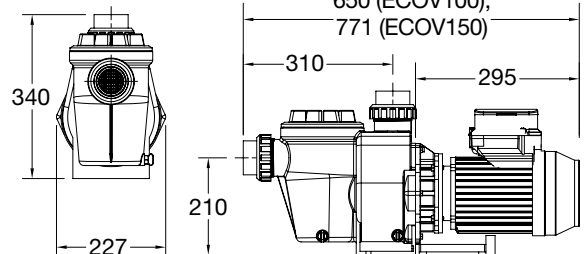
\* Please refer to Waterco's warranty terms and conditions



### Specifications

Model	Length	Height	Width	Packaged Weight	Inlet/Outlet	Strainer Basket
	mm	mm	mm	kg	mm	mm
ECO-V 150	771	340	227	12	50	2.1
ECO-V 100	650	340	227	12	50	2.1

### Dimension (mm)



### ECO PUMPS

Part Number	Product Description	Nominal Size	NZ List Price	Retail Inc GST
24415090	Hydrostorm 150 ECO-V with Comm. Cable	1.50hp	2,550.00	2,932.50
2441509	Hydrostorm 150 ECO-V - 50mm Ports (1Phase)	1.50hp	2,500.00	2,875.00
24410090	Hydrostorm 100 ECO-V with Comm. Cable	1.00hp	2,250.00	2,587.50
2441009	Hydrostorm 100 ECO-V - 50mm ports (1 phase)	1.00hp	2,100.00	2,415.00
851807	Communications Cable (Suits ECO-V 100 & ECO-V 150 Pumps)		114.00	131.10

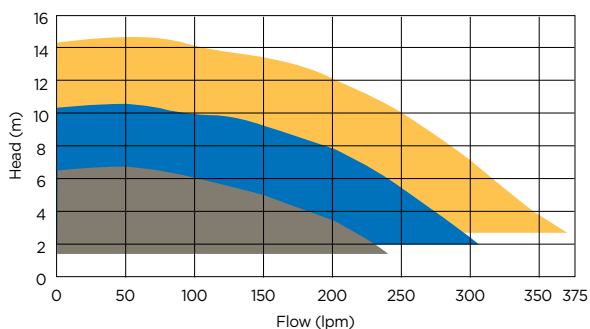


## SUPATUF ECO MK2 PUMP

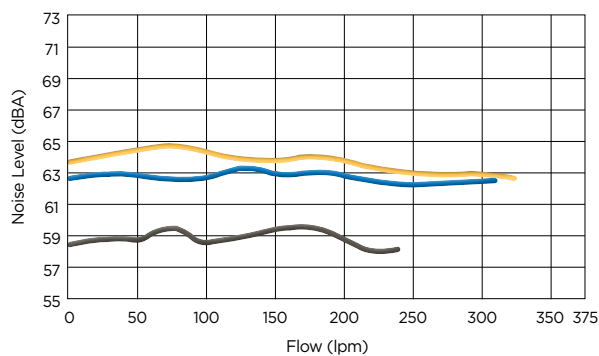
Equipped with an energy saving 3 speed motor, Supatuf ECO MK2 is capable of lowering its energy usage & reducing its operating noise levels.

- Energy Rating of 7 Stars
- Innovative permanent magnet brushless DC motor
- Ultra quiet operation

Supatuf ECO MK2 100 Performance Curves



Supatuf ECO MK2 100 Noise Levels

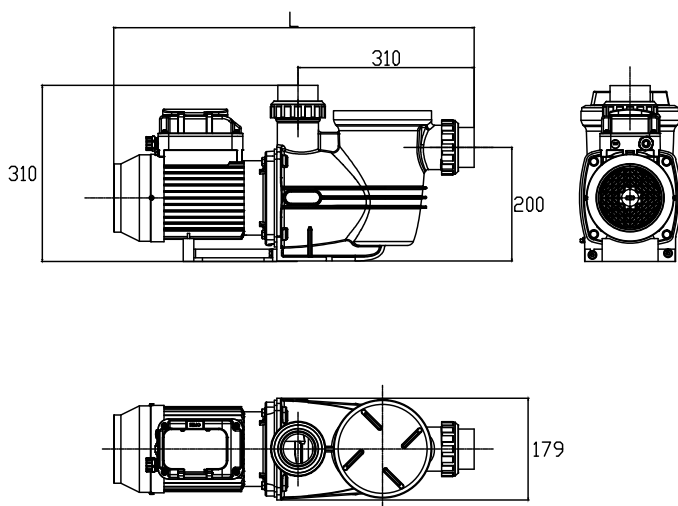


- Low speed (1900rpm)
- Medium speed (2410rpm)
- High speed (2850rpm)

### Specifications

Length	Height	Width	Packaged Weight	Inlet/Outlet	Strainer Basket
mm	mm	mm	kg	mm	mm
635	210	179	12	50/40	1.5

### Dimensions (mm)



### Low speed (1900rpm)

Pump Total Head (m)	Flow Rate (lpm)	Motor Input (kW)	Amps	Noise Level (dBA)
2.4	214	0.27	2.1	58.8
4.4	169	0.27	2.1	58.4
5.6	118	0.25	1.9	58.7

### Medium speed (2410rpm)

Pump Total Head (m)	Flow Rate (lpm)	Motor Input (kW)	Amps	Noise Level (dBA)
5.6	247	0.52	3.9	60.9
8.1	184	0.50	3.8	61.3
9.6	125	0.45	3.4	61.7

### High speed (2850rpm)

Pump Total Head (m)	Flow Rate (lpm)	Motor Input (kW)	Amps	Noise Level (dBA)
7.3	297	0.84	6.5	63.5
11.2	219	0.79	5.9	63.3
13.4	148	0.71	5.3	63.6



### SUPATUF ECO PUMPS (3 year warranty)

Part Number	Product Description	Nominal Size	NZ List Price	Retail Inc GST
24110008	Supatuf ECO MKII 40/50mm ports (1phase)	1.00hp	1,850.00	2,127.50



## ALPHAFLO ECO-V 100 & 150 PUMPS

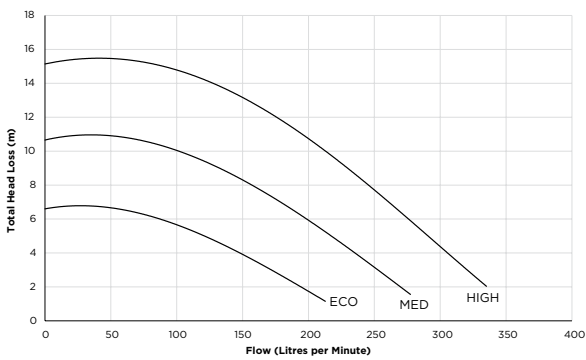
The New Alphaflo pool pump is equipped with a newly designed impeller and diffuser that improves water flow and reduces head loss. The pump body has also been specially designed to improve water flow and pump operating noise by reducing water turbulence. Plus a new heavy-duty pump bracket, which helps in absorbing motor vibration.

It is also equipped with an energy-saving variable speed motor that offers the finest adjustment in operating speed with 25 RPM increments, allowing fine-tuning of the pump's motor speed to perfectly match the flow requirements of the swimming pool, maximising energy savings.

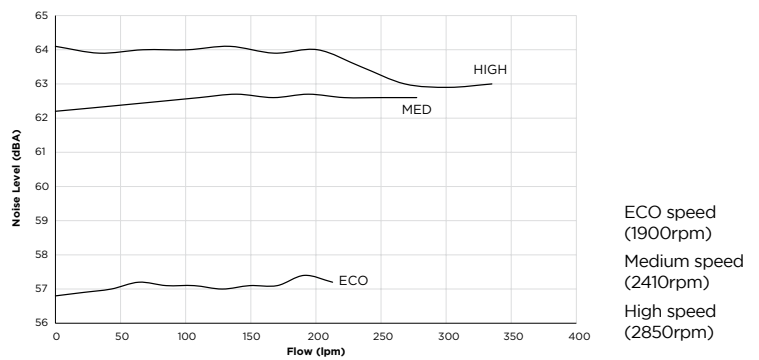
- Energy Rating of 5.5 Stars\*
- Excellent Head & Flow capabilities

\* Alphaflo ECO-V 100 5 Star & Alphaflo ECO-V 150 5.5 Star energy ratings.

Alphaflo ECO-V 100 Performance Curves

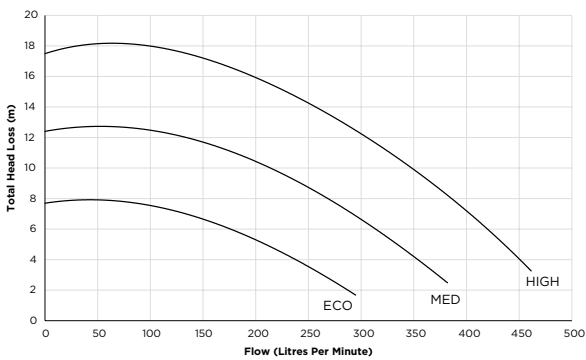


Alphaflo ECO-V 100 Noise Levels

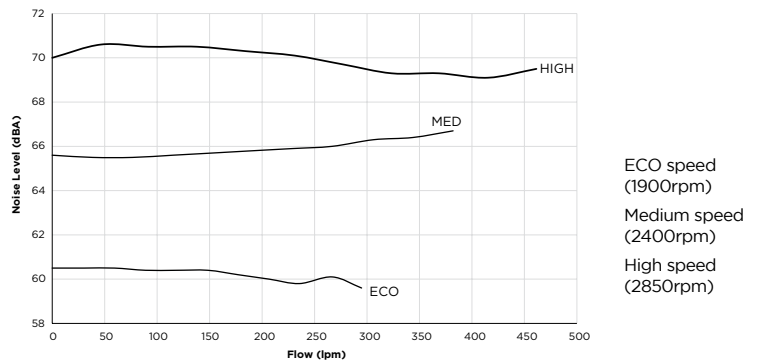


ECO speed (1900rpm)  
Medium speed (2410rpm)  
High speed (2850rpm)

Alphaflo ECO-V 150 Performance Curves



Alphaflo ECO-V 150 Noise Levels

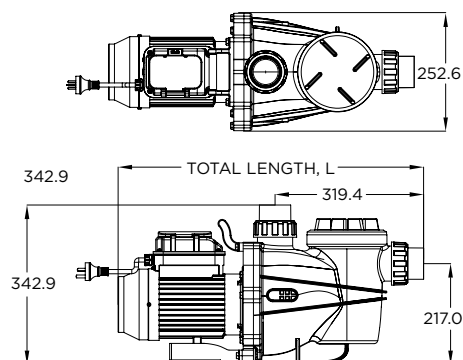


ECO speed (1900rpm)  
Medium speed (2400rpm)  
High speed (2850rpm)

### Specifications

Model	Length	Height	Width	Packaged Weight	Inlet/Outlet	Strainer Basket
	mm	mm	mm	kg	mm	lit
ECO-V 100	657	343	253	14	50	2.1
ECO-V 150	657	343	253	15.5	50	2.1

### Dimension (mm)



### ALPHAFLO ECO-V 100 & 150 (3 year warranty)

Part Number	Product Description	Nominal Size	List Price	Price Incl. GST
2481009	Alphaflo 100 ECO-V 40/50mm Ports (1 Phase) ETA November 2023	1.00hp		
2481509	Alphaflo 150 ECO-V 40/50mm Ports (1 phase) ETA November 2023	1.50hp		
851807	Communications Cable (Suits ECO-V 100 & ECO-V 150 Pumps)	ECO-V	114.00	131.10

# Commercial Pumps



## HYDROSTAR MKIV

The Hydrostar MKIV has been designed to provide a substantially quieter operation with even higher flow rates and higher head than the previous Hydrostar models. Waterco has optimised the pump's hydraulic efficiency by reshaping its internal profile.

### Material

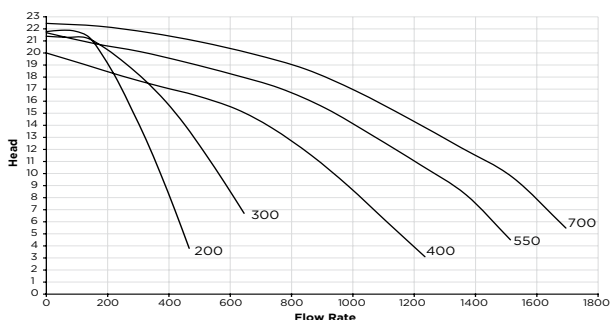
Motor Bracket	: GF Polypropylene
Pump Bracket	: GF Polypropylene
Pump Body O Ring	: NBR
Seal Assembly	: Alumina Ceramic/SS316/Carbon (Silicon Carbide optional)
Impeller	: GF Noryl

### Technical Specifications

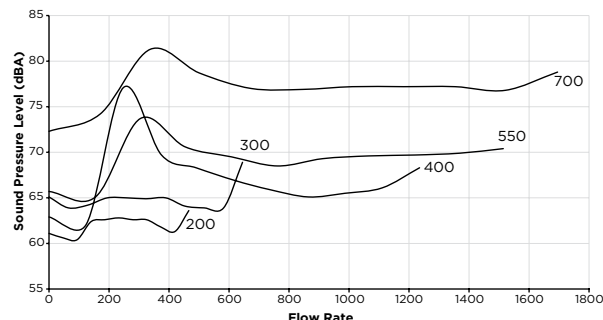
Model	Pump Input Power		Amps/Phase	Weight (kg)	Total Length (mm)	Motor Frame	Motor input (kW)	RPM
	(kW)	(hp)						
200 MK4 IE3	1.4	1.9	2.8	24	777	80	1.8	2860
300 MK4 IE3	2.0	2.7	4.2	28	822	90	2.6	2908
400 MK4 IE3	3.0	4	5.8	41	846	100	3.4	2890
550 MK4 IE3	4.3	5.7	8.1	50	867	112	5.0	2930
700 MK4 IE3	5.4	7.2	10.3	54	929	112	6.2	2917

Phase	Volts	Cycle	Motor IP Rating	Pump Rating
3	380 - 415	50	55	X5

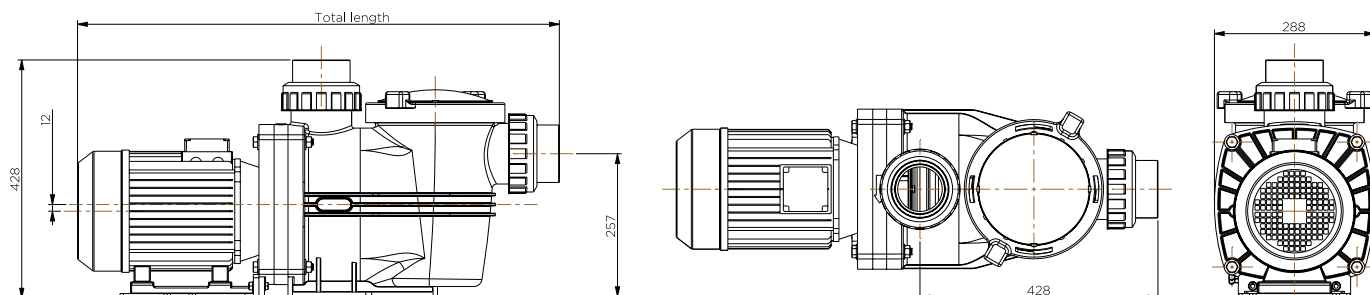
Performance Chart



Sound Levels



### Dimensions



### HYDROSTAR MKIV PUMPS - 80mm ports (3 year warranty)

Part Number	Product Description	Nominal Size	NZ List Price	Retail Inc GST
2404200333	Hydrostar 200 MKIV IE3 - 80mm ports (3 phase)	2.0hp	2,550.00	2,932.50
2404300333	Hydrostar 300 MKIV IE3 - 80mm ports (3 phase)	3.0hp	2,800.00	3,220.00
2404400333	Hydrostar 400 MKIV IE3 - 80mm ports (3 phase)	4.0hp	3,000.00	3,450.00
2404550333	Hydrostar 550 MKIV IE3 - 80mm ports (3 phase)	5.7hp	3,200.00	3,680.00
2404700333	Hydrostar 700 MKIV IE3 - 80mm ports (3 phase)	7.2hp	3,650.00	4,197.50

### HYDROSTAR MKIV PUMPS - with Marine Seals (3 year warranty) conditional

Part Number	Product Description	Nominal Size	NZ List Price	Retail Inc GST
24044003334	Hydrostar 400 MKIV IE3 - 80mm ports (3 phase) c/w marine seal	4.0hp	3,300.00	3,795.00
24045503334	Hydrostar 550 MKIV IE3 - 80mm ports (3 phase) c/w marine seal	5.7hp	3,700.00	4,255.00
24047003334	Hydrostar 700 MKIV IE3 - 80mm ports (3 phase) c/w marine seal	7.2hp	3,850.00	4,427.50

# Commercial Pumps



## HYDROSTAR PLUS - with Marine Seals (3 year warranty)

Part Number	Product Description	Nominal Size
24607504	Hydrostar PLUS 5.5 kW c/w Marine Seal	7.5hp/5.5kw
24610004	Hydrostar PLUS 7.5 kW c/w Marine Seal	10.0hp/7.5kw
24612504	Hydrostar PLUS 9.5 kW c/w Marine Seal	14.0hp/9.5kw

Hydrostar Plus pumps are high performance corrosion resistant thermoplastic pumps equipped with 6" flanged inlet port & 4" flanged outlet port, purpose built for aquatic facilities, water parks and large commercial swimming pools.

The Hydrostar Plus pump's main body is constructed from an injection moulded glass reinforced thermoplastic. It's seamless one-piece consists of no welds or seams or special tank linings which can corrode or electrolyse.

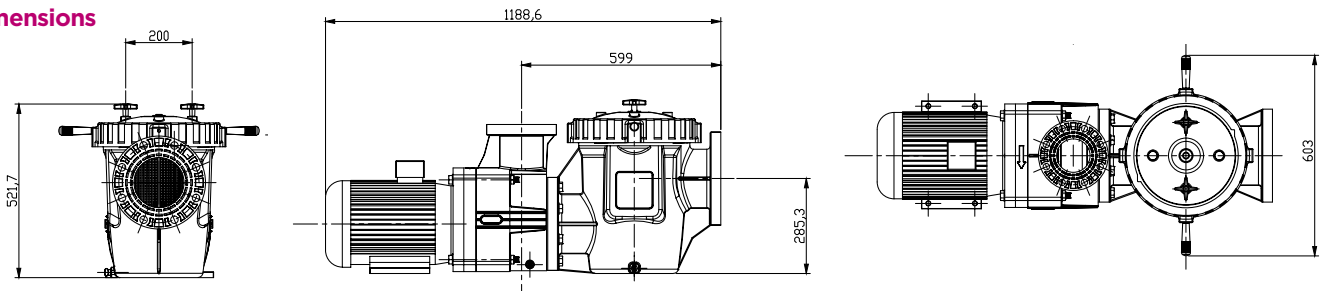
Fibreglass thermoplastic does not rust or corrode and is able to withstand damage from many types of water treatment chemicals. The composite manufacturing method has facilitated the incorporation of a clear polycarbonate lid, enabling an instant view of its 16 L strainer basket.

### Technical Specifications

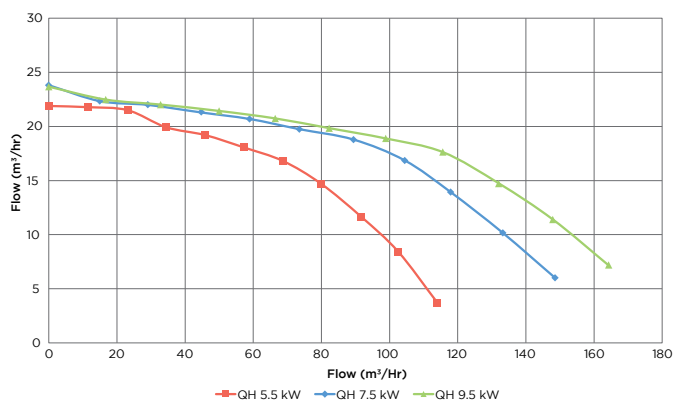
Pump Code	Model	Motor Input	Nominal Power	Amps	Weight	Total Length	Motor
		kW	HP		kg	mm	
2460750	5.5kW	5.8	7.8	10.4	73	1190	2930
2461000	7.5kW	8.3	11.1	14.6	75	1190	2940
2461250	9.5kW	9.9	13.3	17.7	91	1218	2960
2461500	11kW	11.4	15.3	20.3	92	1218	2940

Phase	Volts	Cycle	Motor Frame	Pump Rating
3	380 - 415	50	132	IPX5

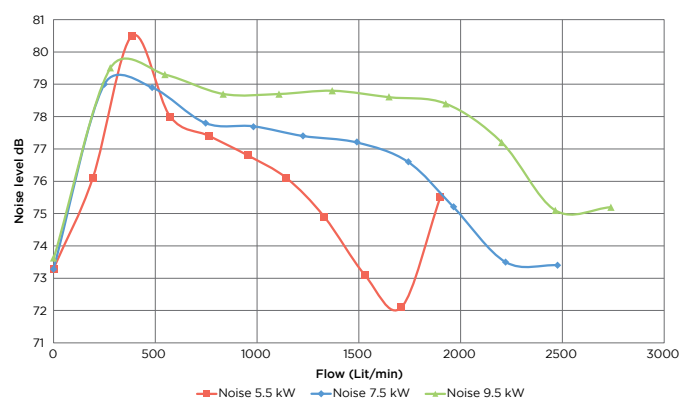
### Dimensions



### Flow Curve



### Sound Level



### Warranty

Waterco commercial pumps are covered by a comprehensive 1 year warranty for commercial installations.

## HYDROSTAR PLUS PUMPS - with Marine Seals (3 year warranty) conditional

Part Number	Product Description	Nominal Size	NZ List Price	Retail Inc GST
24607504	Hydrostar PLUS 5.5 kW c/w Marine Seal	7.5hp / 5.5kw	7,150.00	8,222.50
24610004	Hydrostar PLUS 7.5 kW c/w Marine Seal	10.0hp / 7.5kw	7,950.00	9,142.50
24612504	Hydrostar PLUS 9.5 kW c/w Marine Seal	14.0hp / 9.5kw	9,350.00	10,752.50
24615004	Hydrostar PLUS 11kW c/w Marine Seal	15.0hp/11kw	10,450.00	12,017.50

# Commercial Pumps

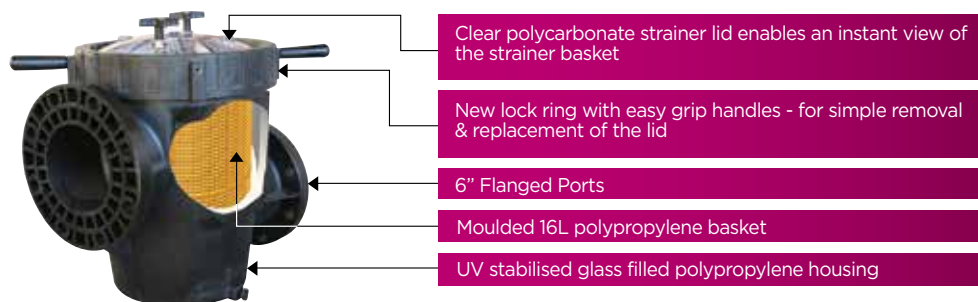


## COMMERCIAL STRAINER

The Hydro5000 Commercial strainer is a corrosion resistant thermoplastic strainer designed for aquatic facilities, water parks and large commercial swimming pools. Hydro5000 commercial strainer's main body is constructed from an injection moulded glass reinforced thermoplastic. It's seamless one piece consists of no welds or seams or special tank linings which can corrode or electrolyse.

Hydro5000 strainers weigh less than a 1/3 the weight of its steel counterparts without any compromise in strength and durability.

### Features



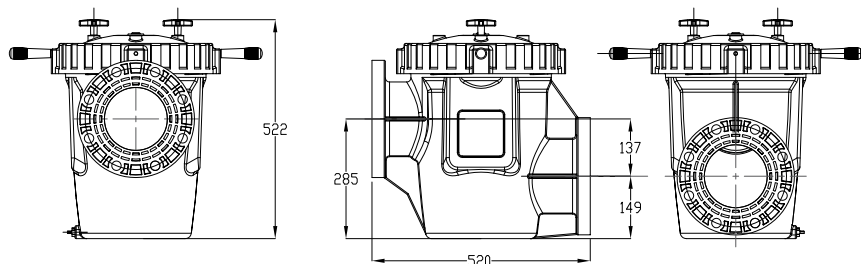
### Technical data

Ports	: 6" Flanged
Maximum Flow Rate	: 2,550lpm
Maximum Working Pressure	: 3.5Bar (50PSI)
Basket Area	: 0.29m <sup>2</sup>
Free Area	: 0.19m <sup>2</sup>

### Construction Materials

Housing	: Polypropylene (comply with NSF50)
Basket	: Polypropylene (FDA-grade)
Lid	: Polycarbonate

### Dimension (mm)



## HYDRO5000 COMMERCIAL STRAINER

Part Number	Product Description	Nominal Size	NZ List Price	Retail Inc GST
2409058	Hydro5000 Commercial Strainer Suction 6" ANSI Flange/ Discharge 6" ANSI Flange	6"/6"	1,400.00	1,610.00
2409057	Hydro5000 Commercial Strainer Suction 4" JIS Flange/ Discharge 6" ANSI Flange	4"/6"	1,400.00	1,610.00
2409056	Hydro5000 Commercial Strainer Suction 4" Threaded/ Discharge 6" ANSI Flange	4"/6"	1,400.00	1,610.00
2408055	Hydro5000 Commercial Strainer Suction 6" ANSI Flange/ Discharge 4" JIS Flange	6"/4"	1,400.00	1,610.00
2408054	Hydro5000 Commercial Strainer Suction 4" Threaded/ Discharge 4" JIS Flange	4"/4"	1,400.00	1,610.00

## SEA WATER MECHANICAL SEAL

Part Number	Product Description	NZ List Price	Retail Inc GST
	1" for Hydrostar Plus 5.5kW, 7.5kW, 9.5kW		
	3/4" all other Waterco pumps		
63401624		380.00	437.00
63401625	Sea water mechanical seal 3/4"	520.00	598.00



# Commercial Pumps



## HYDROSTAR PLUS 1450

Hydrostar Plus 1450 pumps are high performance corrosion resistant thermoplastic pumps equipped with 6" flanged inlet port & 4" flanged outlet port. The 4 poles pump motor runs at 1450 rpm making them ideal for large volume operations in aquatic facilities, water parks and large commercial swimming pools.

The Hydrostar Plus pump's main body is constructed from an injection moulded glass reinforced thermoplastic. It's seamless one-piece consists of no welds or seams or special tank linings which can corrode or electrolyse.

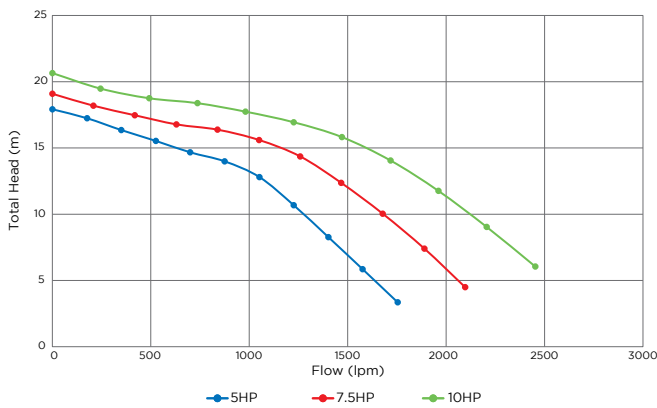
### Technical Specifications

Model	Input Power		Amps	Weight (kg)	Total Length (mm)	Motor Input Power (kW)	Motor I <sub>max</sub> (Amp)
	kW	HP					
3.7kW	4.16	5.57	8.7	89	1236	4.19	8.7
5.5kW	5.75	7.70	11.8	96	1274	6.14	11.8
7.5kW	7.76	10.40	16.3	112	1340	8.30	16.1

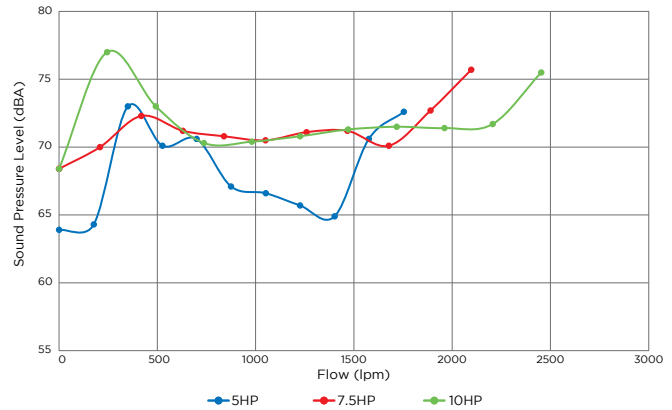
Phase	Volts	Cycle	RPM	Motor IP Rating	Pump IP Rating
3	400	50Hz	1450	IP55	X5

Dimensions (mm)

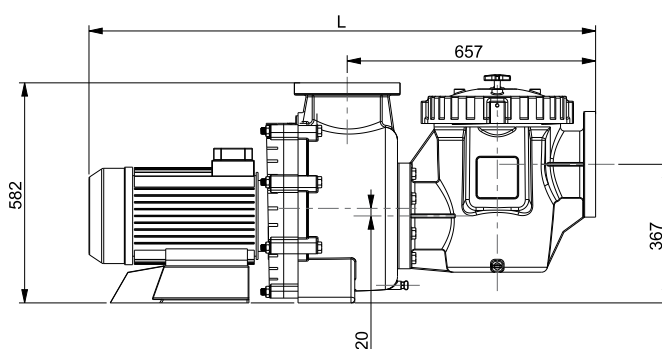
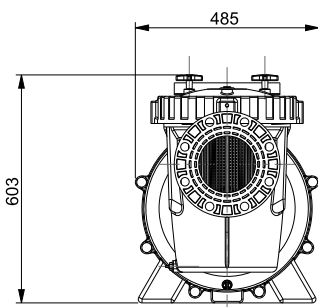
Performance Chart



Sound Levels



### Dimensions



Pump Model	L (mm)
3.7kW	1236
5.5kW	1274
7.5kW	1340

### HYDROSTAR 1450 PUMPS

Part Number	Product Description	Power	Flanges	Seal Type	Strainer	NZ List Price	Retail Inc GST
2470500	Hydrostar PLUS 1450 3.7kW	3.7kW/5.0HP	4" JIS / 6" ANSI	Standard Seal	Included	8,050.00	9,257.50
2470750	Hydrostar PLUS 1450 5.5kW	5.5kW/7.5HP	4" JIS / 6" ANSI	Standard Seal	Included	8,100.00	9,315.00
2471000	Hydrostar PLUS 1450 7.5kW	7.5kW/10HP	4" JIS / 6" ANSI	Standard Seal	Included	9,000.00	10,350.00
2470501	Hydrostar PLUS 1450 3.7kW	3.7kW/5.0HP	-	Standard Seal	Not Include	7,100.00	8,165.00
2470751	Hydrostar PLUS 1450 5.5kW	5.5kW/7.5HP	-	Standard Seal	Not Include	7,150.00	8,222.50
2471001	Hydrostar PLUS 1450 7.5kW	7.5kW/10HP	-	Standard Seal	Not Include	8,100.00	9,315.00
12161002	Hydrostar PLUS Flange Kits Flange Kits					890.00	1,023.50

# Commercial Pumps

## TURBOFLO AQUA PUMP



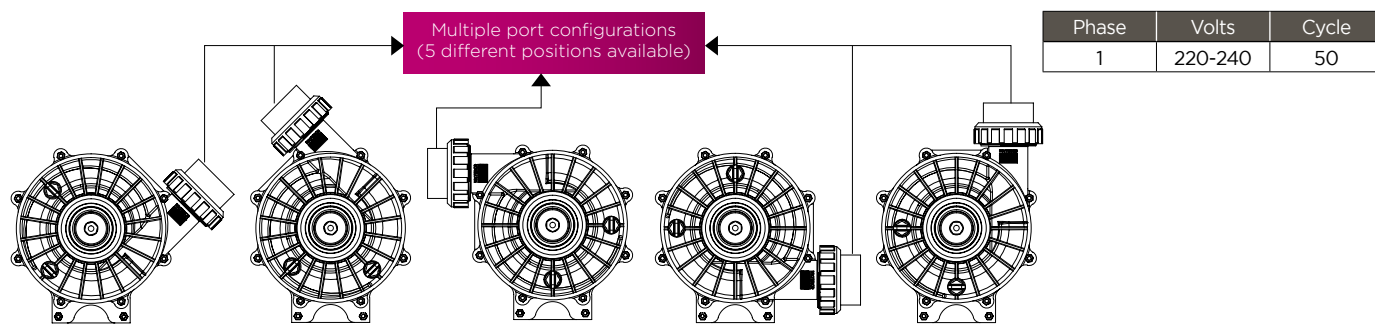
Turboflo Aqua is a hydraulically efficient, high-performance pump designed for KOI ponds that require a low speed, high powered pump.

Turboflo Aqua pumps are equipped with marine grade seals and manufactured for maximum reliability, efficiency and performance.

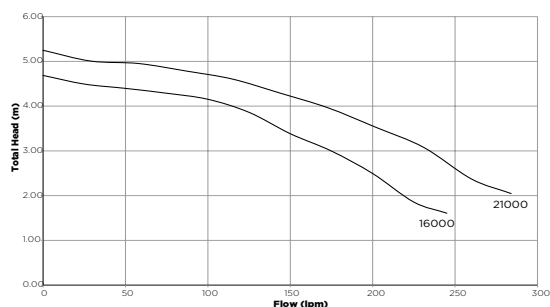
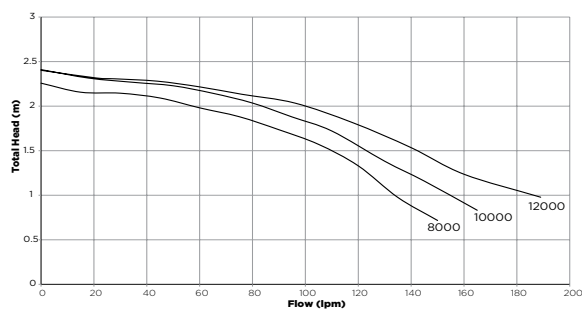
It has an adjustable wet end which can be configured to suit up to 5 different plumbing conditions.

### Technical Specifications

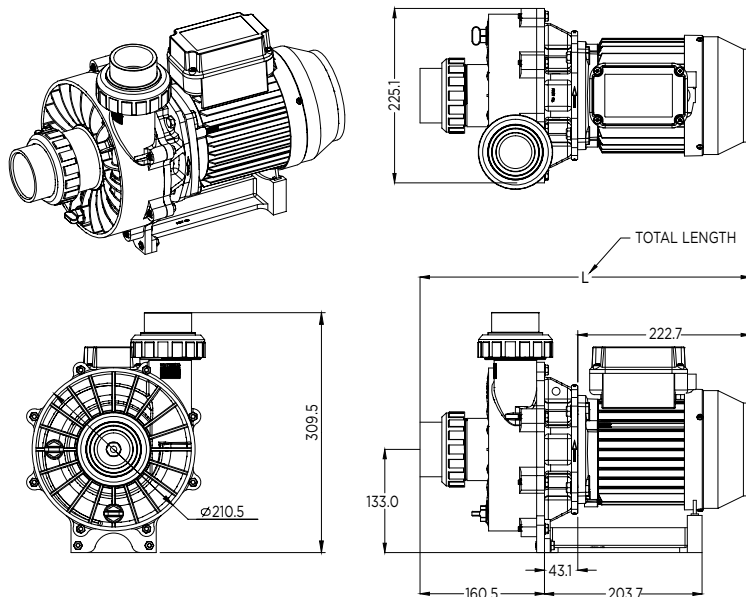
Model	Maximum Power (hp)	Motor Input (kW)	Amps	Phase	Total Length (mm)	Motor RPM	Weight (kg)
Turboflo Aqua 8000	0.129	0.096	0.42	1	427	1400	10.1
Turboflo Aqua 10000	0.135	0.100	0.44	1	427	1400	10.1
Turboflo Aqua 12000	0.14	0.101	0.46	1	427	1400	10.1
Turboflo Aqua 16000	0.283	0.211	0.96	1	427	1400	10.8
Turboflo Aqua 21000	0.336	0.250	1.13	1	427	1400	10.8



Flow Curves



Dimensions



### TURBOFLO AQUA - 50mm ports (3 Year Warranty) conditional

Part Number	Product Description	NZ List Price	Retail Inc GST
24620260	Turboflo Aqua 8000 pump	1,100.00	1,265.00
24620261	Turboflo Aqua 10000 pump	1,100.00	1,265.00
24620262	Turboflo Aquatic 12000 pump	1,200.00	1,380.00
24620263	Turboflo Aquatic 16000 pump	1,350.00	1,552.50
24620264	Turboflo Aquatic 21000 pump	1,700.00	1,955.00

# Electr Heat ECO-V

## 39kW Single Phase Inverter Heat Pump



Waterco's 39kW Electroheat ECO-V single phase inverter heat pump delivers a massive heat output of 39kW @27°C and 32kW @15°C — perfect for pool owners who don't have access to three-phase power.



Smart Controls



Inbuilt Safety Devices



Powerful Heat Transfer



Titanium Dual Coil Heat Exchanger



Large Blue Fin Evaporator



Scroll Compressor



Weatherproof Cabinet



R32 Refrigerant



Automatic Hot Gas De-Icing



25 year heat exchanger warranty



## ELECTROHEAT MKV HEAT PUMPS - R410

Part Number	Product Description	Ref page	Nominal Size	NZ List Price	Retail Inc GST
278095	Electroheat MK V 9KW 240V 10A plug	82	9kW	3,750.00	4,312.50
278123	Electroheat MK V 12KW 240V 15A plug	82	12KW	4,600.00	5,290.00
278152	Electroheat MK V 15KW 240V 50HZ	82	15KW	5,750.00	6,612.50
278192	Electroheat MK V 19KW 240V 50HZ	82	19KW	7,200.00	8,280.00
278232	Electroheat MK V 23KW 240V 50HZ	82	23KW	8,600.00	9,890.00



## ELECTROHEAT PLUS MKIII HEAT PUMPS - R410

Part Number	Product Description	Ref page	Nominal Size	NZ List Price	Retail Inc GST
2782533	Electroheat Plus 25 MKIII (3 Phase)	83	25 kW	9,450.00	10,867.50
2783133	Electroheat Plus 31 MKIII (3 Phase)	83	31 kW	11,650.00	13,397.50
2784433	Electroheat Plus 44 MKIII (3 Phase)	83	44 kW	16,500.00	18,975.00



## ELECTROHEAT ECO V INVERTER POOL HEAT PUMPS - SIDE VENT

Part Number	Product Description	Ref page	Nominal Size	NZ List Price	Retail Inc GST
2780510	Electroheat ECO-V Inverter 5KW heat/cool 10amp plug R32	85	7kw	4,200.00	4,830.00
2780910	Electroheat ECO-V Inverter 9KW heat/cool 10amp plug R32	85	12kw	5,450.00	6,267.50
2781211	Electroheat ECO-V Inverter 12KW heat/cool 15amp plug R32	85	15kw	6,650.00	7,647.50
2781711	Electroheat ECO-V Inverter 17KW heat/cool R32	85	20kw	9,350.00	10,752.50
2782511	Electroheat ECO-V Inverter 25KW heat/cool R410	85	27kw	11,750.00	13,512.50



## ELECTROHEAT ECO V INVERTER POOL HEAT PUMPS - TOP VENT

Part Number	Product Description	Ref page	Nominal Size	NZ List Price	Retail Inc GST
2781210	Electroheat ECO-V Inverter 12KW 15amp Plug heat / cool R410	86	12KW	7,050.00	8,107.50
2781713	Electroheat ECO-V Inverter 21KW heat/cool	86	21KW	9,750.00	11,212.50
2782113	Electroheat ECO-V Inverter 24KW heat/cool	86	24KW	11,000.00	12,650.00
2782513	Electroheat ECO-V Inverter 27KW heat/cool	86	27KW	12,900.00	14,835.00
2783113	Electroheat ECO-V Inverter 39KW heat/cool	86	39KW	16,700.00	19,205.00
2783513	Electroheat ECO-V Inverter 38KW heat/cool 3 Phase	86	38KW	16,450.00	18,917.50
2784513	Electroheat ECO-V Inverter 48KW heat/cool 3 Phase	86	48KW	20,100.00	23,115.00



## ELECTROHEAT BYPASS KITS

Part Number	Product Description	Ref page	Nominal Size	NZ List Price	Retail Inc GST
69051363	Electroheat bypass plumbing kit 460mm	87	460mm centres	189.00	217.35
69051364	Electroheat bypass plumbing kit 283mm	87	283mm centres	189.00	217.35
69051365	Electroheat bypass plumbing kit 360mm	87	360mm centres	189.00	217.35
69051366	Electroheat bypass plumbing kit 472mm	-	472mm centres	191.00	219.65



## WALL BRACKET

Part Number	Product Description	Ref page	Nominal Size	NZ List Price	Retail Inc GST
69601135	Cantelever Wall Bracket 750mm	87			

## AIR DIVERTER KIT

Part Number	Product Description	Ref page	Nominal Size	NZ List Price	Retail Inc GST
692019480	Air Diverter Kit for MKV and ECO-V SV units	87			

Note:- fitting an air diverter decreases heat pump performance by approximately 20%. Ensure the unit is sized appropriately.



## ELECTROHEAT PRO

Part Number	Product Description	Ref page	Nominal Size	NZ List Price	Retail Inc GST
27883803025	Electroheat Pro 110 (Three Phase)	88-89	100kW	37,700.00	43,355.00
27883803030	Electroheat Pro 150 (Three Phase)	88-89	150kW	53,750.00	61,812.50
27883803050	Electroheat Pro 250 (Three Phase)	88-89	250kW	89,550.00	102,982.50



## DIGIHEAT INLINE HEATERS - hard wired

Part Number	Product Description	Ref page	Nominal Size	NZ List Price	Retail Inc GST
2810240	Digiheat 2.4kW Inline Heater - titanium element	90	2.4kW	1,900.00	2,185.00
2810360	Digiheat 3.6kW Inline Heater - titanium element	90	3.6kW	1,900.00	2,185.00
2810480	Digiheat 4.8kW Inline Heater - titanium element	90	4.8kW	1,950.00	2,242.50
2810600	Digiheat 6.0kW Inline Heater - titanium element	90	6.0kW	2,000.00	2,300.00
2811830	Digiheat 18.0kW Inline Heater - titanium element	90	18.0kW	4,350.00	5,002.50
2812430	Digiheat 24.0kW Inline Heater - titanium element	90	24.0kW	4,700.00	5,405.00



## FLOCHECK VALVE

Part Number	Product Description	Ref page	Nominal Size	NZ List Price	Retail Inc GST
<b>Solar Flocheck valves</b>					
85540	Flocheck valve (Calibrated to 60LPM on/30LPM off) solar	91	40mm	170.00	195.50
85530	Flocheck valve (Calibrated to 60LPM on/30LPM off) solar	91	50mm	250.00	287.50
85533	Flocheck valve (Calibrated to 60LPM on/30LPM off) ZX3000 / ZX4000	91	50mm	250.00	287.50
<b>Heatpump, gas heater, electric heater Flocheck valve</b>					
85531	Flocheck valve - Conventional heaters (calibrated to 200lpm)	91	50mm	249.00	286.35



## TURBOTEMP

Part Number	Product Description	Ref page	Nominal Size	NZ List Price	Retail Inc GST
2701251	125 Natural Gas	91	125MJ	5,850.00	6,727.50
2701252	125 LPG - Propane	91	125MJ	5,850.00	6,727.50
270201	200 Natural Gas	91	200MJ	9,200.00	10,580.00
270202	200 LPG - Propane	91	200MJ	9,200.00	10,580.00
270301	300 Natural Gas	91	300MJ	10,250.00	11,787.50
270302	300 LPG - Propane	91	300MJ	10,250.00	11,787.50
270401	400 Natural Gas	91	400MJ	10,900.00	12,535.00
270402	400 LPG - Propane	91	400MJ	10,900.00	12,535.00
6844340	150mm Flexible Flue Kit - 125,200,300	-		880.00	1,012.00
6844350	200mm Flexible Flue Kit - 400	-		1,700.00	1,955.00
684431106	Metal Flue Collar 150mm	-		266.00	305.90
684431108	Metal Flue Collar 200mm	-		282.00	324.30
68460925	Pressure relief valve kit	-		297.00	341.55



## RESIDENTIAL RANGE

Part Number	Product Description	Ref page	Nominal Size	NZ List Price	Retail Inc GST
2702001	Raypak Gas Heater 200 NG	92	196MJ	6,950.00	7,992.50
2702002	Raypak Gas Heater 200 LPG	92	185MJ	6,950.00	7,992.50
2702801	Raypak Gas Heater 280 NG	92	278MJ	7,150.00	8,222.50
2702802	Raypak Gas Heater 280 LPG	92	261MJ	7,150.00	8,222.50
2703501	Raypak Gas Heater 350 NG	92	343MJ	7,950.00	9,142.50
2703502	Raypak Gas Heater 350 LPG	92	323MJ	7,950.00	9,142.50
2704301	Raypak Gas Heater 430 NG	92	420MJ	8,350.00	9,602.50
2704302	Raypak Gas Heater 430 LPG	92	369MJ	8,350.00	9,602.50
27020011	Raypak Gas Heater 200 NG RW	Special Order	92	196MJ	
27020021	Raypak Gas Heater 200 LPG RW	Special Order	92	185MJ	
27028011	Raypak Gas Heater 280 NG RW	Special Order		278MJ	
27028021	Raypak Gas Heater 280 LPG RW	Special Order		261MJ	
27035011	Raypak Gas Heater 350 NG RW	Special Order		343MJ	
27035021	Raypak Gas Heater 350 LPG RW	Special Order		323MJ	
27043011	Raypak Gas Heater 430 NG RW	Special Order		420MJ	
27043021	Raypak Gas Heater 430 LPG RW	Special Order		369MJ	

## PREMIUM RANGE WITH BRONZE HEADERS

Part Number	Product Description	Ref page	Nominal Size	NZ List Price	Retail Inc GST
2702803	Raypak Comm Gas Heater 280 NG	92	278MJ	10,550.00	12,132.50
2702804	Raypak Comm Gas Heater 280 LPG	92	261MJ	10,600.00	12,190.00
2704303	Raypak Comm Gas Heater 430 NG	92	420MJ	11,350.00	13,052.50
2704304	Raypak Comm Gas Heater 430 LPG	92	369MJ	11,300.00	12,995.00
27028031	Raypak Comm Gas Heater 280 NG RW	Special Order		278MJ	
27028041	Raypak Comm Gas Heater 280 LPG RW	Special Order		261MJ	
27043031	Raypak Comm Gas Heater 430 NG RW	Special Order		420MJ	
27043041	Raypak Comm Gas Heater 430 LPG RW	Special Order		369MJ	

## HEATER ACCESSORIES (to be ordered with heater for included freight)

Part Number	Product Description	Ref page	NZ List Price	Retail Inc GST
27056009220	Remote In-house Thermostat	-	400.00	460.00
27056009221	Remote Thermostat Cable 10m	-	86.00	98.90
27056009222	Remote Thermostat Cable 20m	-	129.00	148.35
27056009223	Remote Thermostat Cable 50m	-	215.00	247.25
27056009224	Flow Switch Kit - 40 / 50mm diam.	-	500.00	575.00
27096501222	Pressure Relief Valve (PRV) - 45psi 0.6 MBTU	-	142.00	163.30
27096800040	Header Coupling Kit 40mm (2 off per kit)	-	129.00	148.35
27096800050	Header Coupling Kit 50mm (2 off per kit)	-	160.00	184.00
27096959305	Power Vent R6MVAHT (0.18kW)	-	5,550.00	6,382.50
27096959312	Power Vent Adaptor Kit 200	-	385.00	442.75
27096959313	Power Vent Adaptor Kit 280	-	425.00	488.75
27096959314	Power Vent Adaptor Kit 350	-	425.00	488.75
27096959315	Power Vent Adaptor Kit 430	-	425.00	488.75
27096009203	High Wind Top (HWT) Kit - Model 200	-	410.00	471.50
27096009204	High Wind Top (HWT) Kit - Model 280	-	700.00	805.00
27096009205	High Wind Top (HWT) Kit - Model 350	-	700.00	805.00
27096009206	High Wind Top (HWT) Kit - Model 430	-	750.00	862.50
27096009178	Indoor Hood Kit - Model 200	-	850.00	977.50
27096009179	Indoor Hood Kit - Model 280	-	900.00	1,035.00
27096009180	Indoor Hood Kit - Model 350	-	1,000.00	1,150.00
27096009181	Indoor Hood Kit - Model 430	-	1,150.00	1,322.50
27056108109	Indoor Hood Kit (Adaptor Plate Only) Model 200	-	148.00	170.20
27056108209	Indoor Hood Kit (Adaptor Plate Only) Model 280	-	148.00	170.20
27056108309	Indoor Hood Kit (Adaptor Plate Only) Model 350	-	148.00	170.20
27056108409	Indoor Hood Kit (Adaptor Plate Only) Model 430	-	148.00	170.20
27096959310	Twin Relay Box	-	1,800.00	2,070.00



## AQUASTREAM MKII SOLAR PUMPS - 40mm ports (3 year warranty) conditional

Part Number	Product Description	Ref page	Nominal Size	NZ List Price	Retail Inc GST
24530500	Aquastream MKII Solar 050 - 40mm ports (1 phase)	60	0.50hp	720.00	828.00
24530750	Aquastream MKII Solar 075 - 40mm ports (1 phase)	60	0.75hp	750.00	862.50
24531000	Aquastream MKII Solar 100 - 40mm ports (1 phase)	60	1.00hp	760.00	874.00
24531500	Aquastream MKII Solar 150 - 40mm ports (1 phase)	60	1.50hp	870.00	1,000.50



## TURBOFLO PUMP - no hair/lint pot (3 year warranty) conditional

Part Number	Product Description	Ref page	Nominal Size	NZ List Price	Retail Inc GST
2462100	TurboFlo 100 - 50mm ports (1 phase)	65	1.00hp	930.00	1,069.50
2462200	TurboFlo 200 - 50mm ports (1 phase)	65	2.00hp	1,150.00	1,322.50
2462300	TurboFlo 300 - 50mm ports (1 phase)	65	3.00hp	1,400.00	1,610.00



## HYDROSTORM PUMPS - High Head - 50mm ports (3 year warranty) (conditional)

Part Number	Product Description	Ref page	Nominal Size	NZ List Price	Retail Inc GST
244100	Hydrostorm 100 - 50mm ports (1 phase)	62	1.00hp	1,300.00	1,495.00
244150	Hydrostorm 150 - 50mm ports (1 phase)	62	1.50hp	1,400.00	1,610.00



## ECO & ECO-V PUMPS (3 year warranty) (conditional)

Part Number	Product Description	Ref page	Nominal Size	NZ List Price	Retail Inc GST
24415090	Hydrostorm 150 ECO-V with Comm. Cable	66	1.50hp	2,550.00	2,932.50
2441509	Hydrostorm 150 ECO-V - 50mm Ports (1Phase)	66	1.50hp	2,500.00	2,875.00
24410090	Hydrostorm 100 ECO-V with Comm. Cable	66	1.00hp	2,250.00	2,587.50
2441009	Hydrostorm 100 ECO-V - 50mm ports (1 phase)	66	1.00hp	2,100.00	2,415.00



## VALVES

Part Number	Product Description	Ref page	Nominal Size	NZ List Price	Retail Inc GST
14640	Swing Check Valve	-	Each	58.00	66.70
14650	Swing Check Valve	-	Each	71.00	81.65
85540	Flocheck Valve 40mm	96	Each	170.00	195.50
85530	Flocheck Valve 50mm	96	Each	250.00	287.50
85539	Vacuum Relief Valve	-	Each	63.00	72.45
85545	Vacrel solar vacuum relief valve	-	Each	62.50	71.88
132313	FlowVis Valve 40mm	17	Each	490.00	563.50
132312	FlowVis Valve 50/65mm	17	Each	465.00	534.75
14560	Inline Strainer	-	Each	315.00	362.25



## BREAK-IN KITS

Part Number	Product Description	Nominal Size	NZ List Price	Retail Inc GST
85510	40mm Pump	Each	281.00	323.15

## ROOF FASTENERS

Part Number	Product Description	Nominal Size	NZ List Price	Retail Inc GST
85306	Decramastic Clips	Pk 100	146.00	167.90
85316	Manifold Clips & Stems	Pk 10	102.00	117.30
85615	Manifold Clips - Wire Stem Only	Each	7.70	8.86
84000	Solarclip	Box 200	520.00	598.00
85318	Ezytie header mount system qty100	Box 100	275.00	316.25
13043	Saddle 40mm Black	EA / Pk 20	3.20	3.68
13044	Saddle 50mm Black	EA / Pk 20	3.30	3.80
85460	Admil Prosil Sil N60 Neut Cure BLK	CTN/20	410.00	471.50
85022100	Manifold Tray 1200mm BLK P/COAT	EACH	57.90	66.59

## TOOLS

Part Number	Product Description	Ref page	Nominal Size	NZ List Price	Retail Inc GST
85405	Joiner Tool	-	Each	113.00	129.95
85407	Sleeve Pusher	-	Each	113.00	129.95
85411	Carbide Drill	-	Each	420.00	483.00
85413	Pressure Tester	-	Each	132.00	151.80



## MANIFOLD PACKS



Part Number	Product Description	Ref page	Nominal Size	NZ List Price	Retail Inc GST
850221	Moulded Manifold Pack J (16 x 490mm)	97	Each	440.00	506.00
850161	Manifold Pack H (moulded) (20 x 395mm)	97	Each	780.00	897.00
850222	Manifold J PK 10 CH BLK MLD 400mm 48PK	97	Each	920.00	1,058.00

## ABSORBER



Part Number	Product Description	Ref page	Nominal Size	NZ List Price	Retail Inc GST
85020	Gulfstream Commercial TPR 8ch	-	Roll (50m)	490.00	563.50
85024	Gulfstream Absorber TPR 8ch	-	Roll (50m)	365.00	419.75
8503027	Gulfstream Absorber TPR 10ch	-	Roll (27m)	242.00	278.30
8503050	Gulfstream Absorber TPR 10ch	-	Roll (50m)	440.00	506.00

## CONTROLLERS



Part Number	Product Description	Ref page	Nominal Size	NZ List Price	Retail Inc GST
8510950	ZX4000 Solar / Heater Controller	-	Each	1,250.00	1,437.50
85190	PC5 Controller	96	Each	700.00	805.00
8519107	ZXWB Solar Controller wireless battery roof sensor	-	Each	1,300.00	1,495.00
8519108	ZXWP Solar Controller wireless PV roof sensor	-	Each	1,450.00	1,667.50
85112	Extension Harness - 15m	-	Each	230.00	264.50
85107	ZX2000 Gas Heater Kit	-	Each	116.00	133.40

## POOLTEK AUTOMATION SYSTEM



Part Number	Product Description	NZ List Price	Retail Inc GST
8519120	Pooltek Automation Controller	1,750.00	2,012.50
8519121	Pooltek Expansion Unit 10A	510.00	586.50
8519122	Pooltek Expansion Unit 15A	550.00	632.50
8519138	Pooltek Expansion Unit 15A + 10A - 15A PLUG	620.00	713.00
8519136	Pooltek Expansion Unit 10A with heater contact	620.00	713.00
8519137	Pooltek Expansion Unit 15A with heater contact	650.00	747.50
8519131	Pooltek Chemical Doser ORP & PH Control Module	2,150.00	2,472.50
8519132	Pooltek Chemical Doser PH Control Module	1,550.00	1,782.50
8519133	Pooltek Antenna Ext 3m	105.00	120.75
8519123	Temp Sensor Hot RS20M TS01P (separate)	126.00	144.90
8519124	Temp Sensor Cold PS 2.5M (included)	105.00	120.75

## DONTEK AUTOMATION

Part Number	Product Description	Ref page	Nominal Size	NZ List Price	Retail Inc GST
8519111	Aquasmart 5 Solar Controller	-	1012101DT	850.00	977.50
8519112	Aquasmart 5 Current Detection Solar Controller	-	1012104DT	1,050.00	1,207.50
8519113	Aquasmart 5 Flow Switch Option (Not Incl) Solar Controller	-	1012103DT	950.00	1,092.50
8519114	Flow Sw Assy 40mm	-	1071004DT	370.00	425.50
8519115	Flow Sw Assy 50mm	-	1071005DT	395.00	454.25
8519125	Aquasmart 5RT 2 Pump Control Int System Solar Controller	-	1012110DT	1,200.00	1,380.00
8519134	Aquasmart 5SV Heater / Solar	-	1012108DT1	1,650.00	1,897.50
8519139	Aquasun AS2 Solar Controller	-	1011001DT	660.00	759.00
8519126	Aquaheat 5TC	-	1031012DT	960.00	1,104.00
8519130	Aquaheat H5A	-	1031002DT	870.00	1,000.50
8519135	Aquaheat 5 Heater Control RO-I	-	1031006DT	790.00	908.50

## AQUAMASTER



Part Number	Product Description	Ref page	NZ List Price	Retail Inc GST
85180000	Aquamaster io Pool & Spa Automation Kit (Available Sept)	152	3,100.00	3,565.00

## ACCESSORIES



Part Number	Product Description	Ref page	NZ List Price	Retail Inc GST
8518021	LCD colour touch control	-	820.00	943.00
8518022	Weatherproof Enclosure - LCD Touch Control	-	143.00	164.45
851807	Variable speed pump control cable x 3 metres ECO-V	-	114.00	131.10
851725	Low Chlorine cable 3m	-	62.00	71.30



**SPARE PARTS**

Part Number	Product Description	Ref page	Nominal Size	NZ List Price	Retail Inc GST
851099	ZX3000 Power Board & Base	-	Each	620.00	713.00
85195	PC5 PCB w Base	-	Each	420.00	483.00
85179	PC Board - ZX2000 c/w Battery connection	-	Each	710.00	816.50
85172	Pool or Roof Probe complete - ZX2000/PC5 (3m)	-	Each	72.00	82.80
85165	Pool Probe complete - ZX3000 (3m)	-	Each	74.00	85.10
85163	Roof Probe complete - ZX2000/PC5 (25m)	-	Each	133.00	152.95
85164	Roof Probe complete - ZX3000 (25m)	-	Each	156.00	179.40
85167	Roof Probe replacement kit (3m)	-	Each	74.50	85.68
85541	Valve Stem - ZX2000 & PC2/3/4	-	Each	84.50	97.18
85526	Flocheck Flapper Assembly 40mm	-	Each	33.40	38.41
85527	Flocheck Flapper Assembly 50mm	-	Each	56.50	64.98

**FLEXILOCK FITTINGS**

Part Number	Product Description	Ref page	Nominal Size	NZ List Price	Retail Inc GST
85251	Plugs	96	Pk 520	180.00	207.00
85254	Joiners	96	Pk 520	153.00	175.95
861811	Sleeves	96	Pk 520	140.00	161.00
85257	Sleeves - Commercial	96	Pk 520	140.00	161.00

**GULFPANEL MK2**

Part Number	Product Description	Ref page	Nominal Size	NZ List Price	Retail Inc GST
8642301	Gulfpanel MK2 3.9L X 0.6W (Complete)	-	Each	365.00	419.75
8642001	Gulfpanel MK2 3.4L X 0.6W (Complete)	-	Each	320.00	368.00
8641701	Gulfpanel MK2 2.9L X 0.6W (Complete)	-	Each	292.00	335.80
8641401	Gulfpanel MK2 2.4L X 0.6W (Complete)	-	Each	271.00	311.65
8640801	Gulfpanel MK2 1.4L X 0.6W (Complete)	-	Each	201.00	231.15

**GULFPANEL ACCESSORIES**

Part Number	Product Description	Ref page	Nominal Size	NZ List Price	Retail Inc GST
8640010	Manifold Clamp Set	-	Pk 20	305.00	350.75
8640020	Manifold Clamp Set Tile Bracket	-	Pk 10	263.00	302.45
6340248	H/Union Assembly 40mm W/PP Nut	-	Each	26.00	29.90
8640040	End Plug Threaded	-	Each	9.00	10.35
630322	Tail Threaded 40mm Black	-	Each	6.20	7.13
8640050	Tube Support MkI	-	Each	4.50	5.18
8640051	Tube Support MkII	-	Each	3.80	4.37
8640060	Tube Support Joiner	-	Pk 20	31.60	36.34
8640030	Manifold Coupling Threaded	-	Each	13.50	15.53
630320	40mm Half Union Nut PP	-	Each	14.40	16.56
85403	Insertion tool assembly	-	Each	33.30	38.30
85240	Plug and expander pack of 10	-	Each	27.50	31.63
8640021	Hook Gulfpanel 400mm	-	Pk 20	192.00	220.80
8640023	Hook Gulfpanel 285mm	-	Pk 20	163.00	187.45



## ELECTROHEAT MKV HEAT PUMPS - R410

Part Number	Product Description	Ref page	Nominal Size	NZ List Price	Retail Inc GST
278095	Electroheat MK V 9KW 240V 10A plug	82	9kW	3,750.00	4,312.50
278123	Electroheat MK V 12KW 240V 15A plug	82	12KW	4,600.00	5,290.00
278152	Electroheat MK V 15KW 240V 50HZ	82	15KW	5,750.00	6,612.50
278192	Electroheat MK V 19KW 240V 50HZ	82	19KW	7,200.00	8,280.00
278232	Electroheat MK V 23KW 240V 50HZ	82	23KW	8,600.00	9,890.00



## ELECTROHEAT PLUS MKIII HEAT PUMPS - R410

Part Number	Product Description	Ref page	Nominal Size	NZ List Price	Retail Inc GST
2782533	Electroheat Plus 25 MKIII (3 Phase)	83	25 kW	9,450.00	10,867.50
2783133	Electroheat Plus 31 MKIII (3 Phase)	83	31 kW	11,650.00	13,397.50
2784433	Electroheat Plus 44 MKIII (3 Phase)	83	44 kW	16,500.00	18,975.00



## ELECTROHEAT ECO V INVERTER POOL HEAT PUMPS - SIDE VENT

Part Number	Product Description	Ref page	Nominal Size	NZ List Price	Retail Inc GST
2780510	Electroheat ECO-V Inverter 7KW heat/cool 10amp plug R32	87	7kw	4,200.00	4,830.00
2780910	Electroheat ECO-V Inverter 12KW heat/cool 10amp plug R32	87	12kw	5,450.00	6,267.50
2781211	Electroheat ECO-V Inverter 15KW heat/cool 15amp plug R32	87	15kw	6,650.00	7,647.50
2781711	Electroheat ECO-V Inverter 20KW heat/cool R32	87	20kw	9,350.00	10,752.50
2782514	Electroheat ECO-V Inverter 27KW heat/cool R410	88	27kw	11,750.00	13,512.50



## ELECTROHEAT ECO V INVERTER POOL HEAT PUMPS - TOP VENT

Part Number	Product Description	Ref page	Nominal Size	NZ List Price	Retail Inc GST
2781210	Electroheat ECO-V Inverter 12KW 15amp Plug heat / cool R410	88	12KW	7,050.00	8,107.50
2781713	Electroheat ECO-V Inverter 21KW heat/cool R32	88	21KW	9,750.00	11,212.50
2782113	Electroheat ECO-V Inverter 24KW heat/cool R32	88	24KW	11,000.00	12,650.00
2782513	Electroheat ECO-V Inverter 27KW heat/cool R32	88	27KW	12,900.00	14,835.00
2783113	Electroheat ECO-V Inverter 39KW heat/cool	88	39KW	16,700.00	19,205.00
2783513	Electroheat ECO-V Inverter 38KW heat/cool 3 Phase	88	38KW	16,450.00	18,917.50
2784513	Electroheat ECO-V Inverter 48KW heat/cool 3 Phase	88	48KW	20,100.00	23,115.00



## ELECTROHEAT BYPASS KITS

Part Number	Product Description	Ref page	Nominal Size	NZ List Price	Retail Inc GST
69051363	Electroheat bypass plumbing kit 460mm	89	460mm centres	189.00	217.35
69051364	Electroheat bypass plumbing kit 283mm	89	283mm centres	189.00	217.35
69051365	Electroheat bypass plumbing kit 360mm	89	360mm centres	189.00	217.35
69051366	Electroheat bypass plumbing kit 472mm	-	472mm centres	191.00	219.65

## WALL BRACKET

Part Number	Product Description	Ref page	Nominal Size	NZ List Price	Retail Inc GST
69601135	Cantelever Wall Bracket 750mm	-	-	-	-

## AIR DIVERter KIT

Part Number	Product Description	Ref page	Nominal Size	NZ List Price	Retail Inc GST
692019480	Air Diverter Kit for MKV and ECO-V SV units	-	-	-	-

Note:- fitting an air diverter decreases heat pump performance by approximately 20%. Ensure the unit is sized appropriately.



## ELECTROHEAT PRO

Part Number	Product Description	Ref page	Nominal Size	NZ List Price	Retail Inc GST
27883803025	Electroheat Pro 110 (Three Phase)	90-91	100kW	37,700.00	43,355.00
27883803030	Electroheat Pro 150 (Three Phase)	90-91	150kW	53,750.00	61,812.50
27883803050	Electroheat Pro 250 (Three Phase)	90-91	250kW	89,550.00	102,982.50



## DIGIHEAT INLINE HEATERS - hard wired

Part Number	Product Description	Ref page	Nominal Size	NZ List Price	Retail Inc GST
2810240	Digiheat 2.4kW Inline Heater - titanium element	92	2.4kW	1,900.00	2,185.00
2810360	Digiheat 3.6kW Inline Heater - titanium element	92	3.6kW	1,900.00	2,185.00
2810480	Digiheat 4.8kW Inline Heater - titanium element	92	4.8kW	1,950.00	2,242.50
2810600	Digiheat 6.0kW Inline Heater - titanium element	92	6.0kW	2,000.00	2,300.00
2811830	Digiheat 18.0kW Inline Heater - titanium element	92	18.0kW	4,350.00	5,002.50
2812430	Digiheat 24.0kW Inline Heater - titanium element	92	24.0kW	4,700.00	5,405.00



## FLOCHECK VALVE

Part Number	Product Description	Ref page	Nominal Size	NZ List Price	Retail Inc GST
<b>Solar Flocheck valves</b>					
85540	Flocheck valve (Calibrated to 60LPM on/30LPM off) solar	97	40mm	170.00	195.50
85530	Flocheck valve (Calibrated to 60LPM on/30LPM off) solar	97	50mm	250.00	287.50
85533	Flocheck valve (Calibrated to 60LPM on/30LPM off) ZX3000	97	50mm	250.00	287.50
<b>Heatpump, gas heater, electric heater Flocheck valve</b>					
85531	Flocheck valve - Conventional heaters (calibrated to 200lpm)	97	50mm	249.00	286.35



## TURBOTEMP

Part Number	Product Description	Ref page	Nominal Size	NZ List Price	Retail Inc GST
2701251	125 Natural Gas	93	125MJ	5,850.00	6,727.50
2701252	125 LPG - Propane	93	125MJ	5,850.00	6,727.50
270201	200 Natural Gas	93	200MJ	9,200.00	10,580.00
270202	200 LPG - Propane	93	200MJ	9,200.00	10,580.00
270301	300 Natural Gas	93	300MJ	10,250.00	11,787.50
270302	300 LPG - Propane	93	300MJ	10,250.00	11,787.50
270401	400 Natural Gas	93	400MJ	10,900.00	12,535.00
270402	400 LPG - Propane	93	400MJ	10,900.00	12,535.00
6844340	150mm Flexible Flue Kit - 125,200,300	-		880.00	1,012.00
6844350	200mm Flexible Flue Kit - 400	-		1,700.00	1,955.00
684431106	Metal Flue Collar 150mm	-		266.00	305.90
684431108	Metal Flue Collar 200mm	-		282.00	324.30
68460925	Pressure Relief Valve Kit	-		297.00	341.55





## RESIDENTIAL RANGE

Part Number	Product Description	Ref page	Nominal Size	NZ List Price	Retail Inc GST
2702001	Raypak Gas Heater 200 NG	95	196MJ	6,950.00	7,992.50
2702002	Raypak Gas Heater 200 LPG	95	185MJ	6,950.00	7,992.50
2702801	Raypak Gas Heater 280 NG	95	278MJ	7,150.00	8,222.50
2702802	Raypak Gas Heater 280 LPG	95	261MJ	7,150.00	8,222.50
2703501	Raypak Gas Heater 350 NG	95	343MJ	7,950.00	9,142.50
2703502	Raypak Gas Heater 350 LPG	95	323MJ	7,950.00	9,142.50
2704301	Raypak Gas Heater 430 NG	95	420MJ	8,350.00	9,602.50
2704302	Raypak Gas Heater 430 LPG	95	369MJ	8,350.00	9,602.50
27020011	Raypak Gas Heater 200 NG RW	Special Order	95	196MJ	
27020021	Raypak Gas Heater 200 LPG RW	Special Order	95	185MJ	
27028011	Raypak Gas Heater 280 NG RW	Special Order	95	278MJ	
27028021	Raypak Gas Heater 280 LPG RW	Special Order	95	261MJ	
27035011	Raypak Gas Heater 350 NG RW	Special Order	95	343MJ	
27035021	Raypak Gas Heater 350 LPG RW	Special Order	95	323MJ	
27043011	Raypak Gas Heater 430 NG RW	Special Order	95	420MJ	
27043021	Raypak Gas Heater 430 LPG RW	Special Order	95	369MJ	

## PREMIUM RANGE WITH BRONZE HEADERS

Part Number	Product Description	Ref page	Nominal Size	NZ List Price	Retail Inc GST
2702803	Raypak Comm Gas Heater 278 MJ NG	95	278MJ	10,550.00	12,132.50
2702804	Raypak Comm Gas Heater 261 MJ LPG	95	261MJ	10,600.00	12,190.00
2704303	Raypak Comm Gas Heater 420 MJ NG	95	420MJ	11,350.00	13,052.50
2704304	Raypak Comm Gas Heater 369 MJ LPG	95	369MJ	11,300.00	12,995.00
27028031	Raypak Comm Gas Heater 280 NG RW	Special Order	95	278MJ	
27028041	Raypak Comm Gas Heater 280 LPG RW	Special Order	95	261MJ	
27043031	Raypak Comm Gas Heater 430 NG RW	Special Order	95	420MJ	
27043041	Raypak Comm Gas Heater 430 LPG RW	Special Order	95	369MJ	

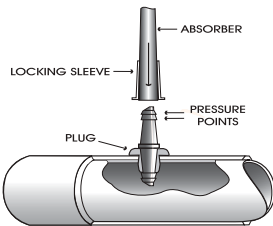
## HEATER ACCESSORIES (to be ordered with heater for included freight)

Part Number	Product Description	Ref page	NZ List Price	Retail Inc GST
27056009220	Remote In-house Thermostat	-	400.00	460.00
27056009221	Remote Thermostat Cable 10m	-	86.00	98.90
27056009222	Remote Thermostat Cable 20m	-	129.00	148.35
27056009223	Remote Thermostat Cable 50m	-	215.00	247.25
27056009224	Flow Switch Kit - 40 / 50mm diam.	-	500.00	575.00
27096501222	Pressure Relief Valve (PRV) - 45psi 0.6 MBTU	-	142.00	163.30
27096800040	Header Coupling Kit 40mm (2 off per kit)	-	129.00	148.35
27096800050	Header Coupling Kit 50mm (2 off per kit)	-	160.00	184.00
27096959305	Power Vent R6MVAHT (0.18kW)	-	5,550.00	6,382.50
27096959312	Power Vent Adaptor Kit 200	-	385.00	442.75
27096959313	Power Vent Adaptor Kit 280	-	425.00	488.75
27096959314	Power Vent Adaptor Kit 350	-	425.00	488.75
27096959315	Power Vent Adaptor Kit 430	-	425.00	488.75
27096009203	High Wind Top (HWT) Kit - Model 200	-	410.00	471.50
27096009204	High Wind Top (HWT) Kit - Model 280	-	700.00	805.00
27096009205	High Wind Top (HWT) Kit - Model 350	-	700.00	805.00
27096009206	High Wind Top (HWT) Kit - Model 430	-	750.00	862.50
27096009178	Indoor Hood Kit - Model 200	-	850.00	977.50
27096009179	Indoor Hood Kit - Model 280	-	900.00	1,035.00
27096009180	Indoor Hood Kit - Model 350	-	1,000.00	1,150.00
27096009181	Indoor Hood Kit - Model 430	-	1,150.00	1,322.50
27056108109	Indoor Hood Kit (Adaptor Plate Only) Model 200	-	148.00	170.20
27056108209	Indoor Hood Kit (Adaptor Plate Only) Model 280	-	148.00	170.20
27056108309	Indoor Hood Kit (Adaptor Plate Only) Model 350	-	148.00	170.20
27056108409	Indoor Hood Kit (Adaptor Plate Only) Model 430	-	148.00	170.20
27096959310	Twin Relay Box		1,800.00	2,070.00



## FLOCHECK VALVE

The Zane Flocheck valve is integrated with the solar controller and will stop the solar pump if the pool filtration pump is not working.



## FLEXILOCK FITTINGS

Zane's patented flexilock system enables Zane solar absorber to be securely placed on any roof knowing that it will not pull apart from the manifold and leak. It's unique design ensures that the sealing of these components is of the highest standard.



## PC5

The PC5 computerised solar controller has an auto-off and manual switch with a "top out" temperature control, winter mode and digital temperature readout. It is suited for use on independently plumbed hydraulic heating circuits.



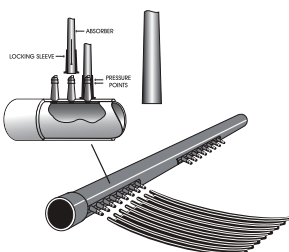
## SOLARCLIP (OPTIONAL EXTRA)

The Zane solar clip mechanically holds the absorber on the roof eliminating the need for adhesive. Solarclips will fit most tile and metal roofs.



## SOLAR BOOSTER PUMPS

Zane Solar systems require efficient circulation to function at its peak performance. For this reason, we use a specially designed range of Aquastream Solar Booster pumps incorporating the essential features required to make them compatible with Zane Solar systems.



## MOULDED MANIFOLDS

Zane's one piece moulded manifolds connect the solar absorber tubes to the pool hydraulics and form an important part of the solar system ensuring leak free joints.



Flocheck Valve



vacuum

## VALVES

Part Number	Product Description
14640	Check Valve 40mm
14650	Check Valve 50mm
85540	Flocheck Valve 40mm
85530	Flocheck Valve 50mm
85539	Vacuum Relief Valve
85545	Vacrel Solar Vacuum Relief Valve

## BREAK IN KITS

Part Number	Product Description
85510	40mm pump ports

## ROOF FASTENERS

Part Number	Product Description
85306	Decramastic Clips
85316	Manifold Clips & Stems
85615	Manifold Clips - Wire Stem Only
84000	Solarclip
85318	Ezytie Header Mount System Qty100
13043	Saddle 40mm Black
13044	Saddle 50mm Black

## TOOLS

Part Number	Product Description	Nominal Size
85405	Joiner Tool	Each
85407	Sleeve Pusher	Each
85411	Carbide Drill	Each
85413	Pressure Tester	Each

## MANIFOLD PACKS

Part Number	Product Description	Nominal Size
850221	Moulded Manifold Pack J (16 x 490mm)	Each
850161	Manifold Pack H (moulded) (20 x 395mm)	Each
850222	Manifold J PK 10 CH BLK MLD 400mm 48PK	Each

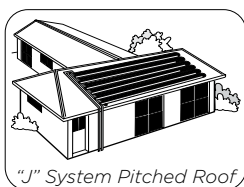


Moulded Manifold J Pack

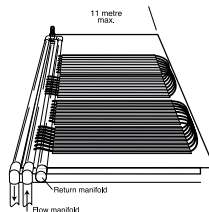


## ABSORBER

Part Number	Product Description	Nominal Size
85020	Gulfstream Commercial TPR 8ch	Roll (50m)
85024	Gulfstream Absorber	Roll (50m)
8503027	Gulfstream Absorber TPR 10ch	
8503050	Gulfstream Absorber TPR 10ch	Roll (50m)

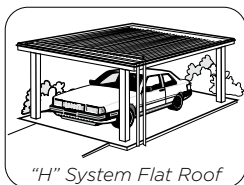


"J" System Pitched Roof

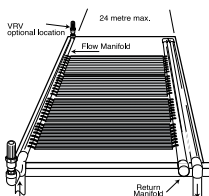


### 'J' System

The 'J' layout has both manifolds together generally at one end of the solar absorber, but may be within the array. With angled ridges the 3 manifolds may be together at the same position in the absorber. The absorber is laid out to a recommended maximum of 11 metres and looped to return to the manifolds. Moulded manifolds are solvent cemented together and cut to obtain the required length.



"H" System Flat Roof



### 'H' System

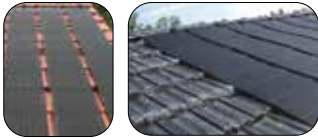
The 'H' layout has a manifold on each side of the solar system with the absorber running between to a maximum of 24 metres. 'H' manifolds allows 2 1/2 absorber widths of 8 channel per normal cement tile or regular gaps in the absorber across metal roofs. The fabricated 'H' manifold requires to be laid so the water flows in the correct direction as shown.

# Zane Solar Heating Gulfpanel



## GULFPANEL KITS

Part Number	Product Description	Panel length
8642300	Gulfpanel - 600mm wide	3.9 m
8642000	Gulfpanel - 600mm wide	3.4 m
8641700	Gulfpanel - 600mm wide	2.9 m
8640800	Gulfpanel - 600mm wide	1.4 m



Gulfpanel's modular design allows the creation of a solar system, which is easily adaptable to a variety of roof configurations.

### Zane Solar Gulfpanel

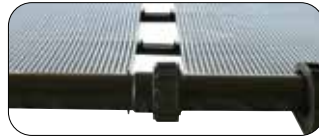
Extensive research, development and testing have gone into the refinement of Zane Solar Gulfpanel.

Gulfpanels are precision injection moulded from a high grade formulated polymer, selected for its outstanding heat transfer properties and its exceptional durability.

Gulfpanels are UV stabilised and designed to with stand extreme weather conditions.



Each Gulfpanel consists of a multitude of miniature solar absorber tubes to maximise its surface area exposed to the sun.



The modular panels are connected together via reinforced water tight unions without the need for gluing or the use of clamps.



Gulfpanels are securely fastened to the roof with a purpose built clamp designed to allow expansion and contraction of the solar array.



The solar absorber's thick circular wall structure is highly resistant to attacks from birds and vermin.



Gulfpanel's seamless one piece construction eliminates any welds or seams, ensuring long lasting performance.

## GULFPANEL EQUIPMENT

Part Number	Product Description
8640030	Manifold Coupling Threaded
630320	Half Union Nut
8640040	Threaded End Plug
12642	Black End Cap
6340248	Half Union Assembly
630322	Black Tail Threaded End
8640010	Manifold Clamp Set
8640050	Panel Tube Support 600mm
8640060	Tube Support Joiner

### Gulfpanel installation and technical

Code	Panel size	Overall surface area	Effective surface area	Maximum No of panels per set	Required flow rate litre/min for each panel
8642300	3.9 m	2.34	2.1	22	7.02
8642000	3.4 m	2.04	1.8	25	6.12
8641700	2.9 m	1.74	1.5	30	5.22
8640800	1.4 m	0.48	0.7	62	2.52



Manifold Coupling Threaded



Half Union Nut



Threaded End Plug



Black End Cap



Half Union Assembly



Black Tail Threaded End



Manifold Clamp Set



Tube Support Joiner



Panel Tube Support

# Zane Solar Heating Gulfpanel



## Material check list for ordering 1.4m Gulfpanel MK2 systems

Items required to connect to a per set of panels 1.4m ( excludes pipe and elbows)								
No of Panels	End plug threaded	40mm black cap	Half union	Threaded tail	Black tee	Vacuum relief valve	Tube support joiners	No of panel clamps standard install
Code	8640040	12642	6340248	630322	121942	85539	8640060	8640010
1	1	1	2	1	1	1	0	4
2	1	1	2	1	1	1	3	6
3	1	1	2	1	1	1	6	8
4	1	1	2	1	1	1	9	10
5	1	1	2	1	1	1	12	12
6	1	1	2	1	1	1	15	14
7	1	1	2	1	1	1	18	16
8	1	1	2	1	1	1	21	18
9	1	1	2	1	1	1	24	20
10	1	1	2	1	1	1	27	22
11	1	1	2	1	1	1	30	24
12	1	1	2	1	1	1	33	26
13	1	1	2	1	1	1	36	28
14	1	1	2	1	1	1	39	30
15	1	1	2	1	1	1	42	32
16	1	1	2	1	1	1	45	34
17	1	1	2	1	1	1	48	36
18	1	1	2	1	1	1	51	38
19	1	1	2	1	1	1	54	40
20	1	1	2	1	1	1	57	42
21	1	1	2	1	1	1	60	44
22	1	1	2	1	1	1	63	46
23	1	1	2	1	1	1	66	48
24	1	1	2	1	1	1	69	50
25	1	1	2	1	1	1	72	52
26	1	1	2	1	1	1	75	54
27	1	1	2	1	1	1	78	56
28	1	1	2	1	1	1	81	58
29	1	1	2	1	1	1	84	60
30	1	1	2	1	1	1	87	62
31	1	1	2	1	1	1	90	64
32	1	1	2	1	1	1	93	66
33	1	1	2	1	1	1	96	68
34	1	1	2	1	1	1	99	70
35	1	1	2	1	1	1	102	72
36	1	1	2	1	1	1	105	74
37	1	1	2	1	1	1	108	76
38	1	1	2	1	1	1	111	78
39	1	1	2	1	1	1	114	80
40	1	1	2	1	1	1	117	82
41	1	1	2	1	1	1	120	84
42	1	1	2	1	1	1	123	86
43	1	1	2	1	1	1	126	88
44	1	1	2	1	1	1	129	90
45	1	1	2	1	1	1	132	92
46	1	1	2	1	1	1	135	94
47	1	1	2	1	1	1	138	96
48	1	1	2	1	1	1	141	98
49	1	1	2	1	1	1	144	100
50	1	1	2	1	1	1	147	102
51	1	1	2	1	1	1	150	104
52	1	1	2	1	1	1	153	106
53	1	1	2	1	1	1	156	108
54	1	1	2	1	1	1	159	110
55	1	1	2	1	1	1	162	112
56	1	1	2	1	1	1	165	114
57	1	1	2	1	1	1	168	116



# Zane Solar Heating Gulfpanel



## Material check list for ordering 2.4m Gulfpanel MK2 systems

Items required to connect to a per set of panels 2.4m ( excludes pipe and elbows)								
No of Panels	End plug threaded	40mm black cap	Half union	Threaded tail	Black tee	Vacuum relief valve	Tube support joiners	No of panel clamps standard install
Code	8640040	12642	6340248	630322	121942	85539	8640060	8640010
1	1	1	2	1	1	1	0	4
2	1	1	2	1	1	1	5	6
3	1	1	2	1	1	1	10	8
4	1	1	2	1	1	1	15	10
5	1	1	2	1	1	1	20	12
6	1	1	2	1	1	1	25	14
7	1	1	2	1	1	1	30	16
8	1	1	2	1	1	1	35	18
9	1	1	2	1	1	1	40	20
10	1	1	2	1	1	1	45	22
11	1	1	2	1	1	1	50	24
12	1	1	2	1	1	1	55	26
13	1	1	2	1	1	1	60	28
14	1	1	2	1	1	1	65	30
15	1	1	2	1	1	1	70	32
16	1	1	2	1	1	1	75	34
17	1	1	2	1	1	1	80	36
18	1	1	2	1	1	1	85	38
19	1	1	2	1	1	1	90	40
20	1	1	2	1	1	1	95	42
21	1	1	2	1	1	1	100	44
22	1	1	2	1	1	1	105	46
23	1	1	2	1	1	1	110	48
24	1	1	2	1	1	1	115	50
25	1	1	2	1	1	1	120	52
26	1	1	2	1	1	1	125	54
27	1	1	2	1	1	1	130	56
28	1	1	2	1	1	1	135	58
29	1	1	2	1	1	1	140	60
30	1	1	2	1	1	1	145	62
31	1	1	2	1	1	1	150	64

## Material check list for ordering 2.9m Gulfpanel MK2 systems

Items required to connect to a per set of panels 2.9m ( excludes pipe and elbows)								
No of Panels	End plug threaded	40mm black cap	Half union	Threaded tail	Black tee	Vacuum relief valve	Tube support joiners	No of panel clamps standard install
Code	8640040	12642	6340248	630322	121942	85539	8640060	8640010
1	1	1	2	1	1	1	0	4
2	1	1	2	1	1	1	7	6
3	1	1	2	1	1	1	14	8
4	1	1	2	1	1	1	21	10
5	1	1	2	1	1	1	28	12
6	1	1	2	1	1	1	35	14
7	1	1	2	1	1	1	42	16
8	1	1	2	1	1	1	49	18
9	1	1	2	1	1	1	56	20
10	1	1	2	1	1	1	63	22
11	1	1	2	1	1	1	70	24
12	1	1	2	1	1	1	77	26
13	1	1	2	1	1	1	84	28
14	1	1	2	1	1	1	91	30
15	1	1	2	1	1	1	98	32
16	1	1	2	1	1	1	105	34
17	1	1	2	1	1	1	112	36
18	1	1	2	1	1	1	119	38
19	1	1	2	1	1	1	126	40
20	1	1	2	1	1	1	133	42
21	1	1	2	1	1	1	140	44
22	1	1	2	1	1	1	147	46
23	1	1	2	1	1	1	154	48
24	1	1	2	1	1	1	161	50
25	1	1	2	1	1	1	168	52
26	1	1	2	1	1	1	175	54
27	1	1	2	1	1	1	182	56

# Zane Solar Heating Gulfpanel



## Material check list for ordering 3.4m Gulfpanel MK2 systems

Add additional manifold clamps for the top manifold on roof pitches greater than 27 degrees

Items required to connect to a per set of panels 3.4m ( excludes pipe and elbows)									
No of Panels	End plug threaded	40mm black cap	Half union	Threaded tail	Black tee	Vacuum relief valve	Tube support joiners	No of panel clamps standard install	No of panel clamps pitch roof greater than 27 Degrees
Code	8640040	12642	6340248	630322	121942	85539	8640060	8640010	8640010
1	1	1	2	1	1	1	0	4	4
2	1	1	2	1	1	1	8	6	7
3	1	1	2	1	1	1	16	8	10
4	1	1	2	1	1	1	24	10	13
5	1	1	2	1	1	1	32	12	16
6	1	1	2	1	1	1	40	14	19
7	1	1	2	1	1	1	48	16	22
8	1	1	2	1	1	1	56	18	25
9	1	1	2	1	1	1	64	20	28
10	1	1	2	1	1	1	72	22	31
11	1	1	2	1	1	1	80	24	34
12	1	1	2	1	1	1	88	26	37
13	1	1	2	1	1	1	96	28	40
14	1	1	2	1	1	1	104	30	43
15	1	1	2	1	1	1	112	32	46
16	1	1	2	1	1	1	120	34	49
17	1	1	2	1	1	1	128	36	52
18	1	1	2	1	1	1	136	38	55
19	1	1	2	1	1	1	144	40	58
20	1	1	2	1	1	1	152	42	61
21	1	1	2	1	1	1	160	44	64
22	1	1	2	1	1	1	168	46	67
23	1	1	2	1	1	1	176	48	70
24	1	1	2	1	1	1	184	50	73

## Material check list for ordering 3.9m Gulfpanel MK2 systems

Add additional manifold clamps for the top manifold on roof pitches greater than 27 degrees

Items required to connect to a per set of panels 3.9m ( excludes pipe and elbows)									
No of Panels	End plug threaded	40mm black cap	Half union	Threaded tail	Black tee	Vacuum relief valve	Tube support joiners	No of panel clamps standard install	No of panel clamps pitch roof greater than 27 Degrees
Code	8640040	12642	6340248	630322	121942	85539	8640060	8640010	8640010
1	1	1	2	1	1	1	0	4	4
2	1	1	2	1	1	1	10	6	7
3	1	1	2	1	1	1	20	8	10
4	1	1	2	1	1	1	30	10	13
5	1	1	2	1	1	1	40	12	16
6	1	1	2	1	1	1	50	14	19
7	1	1	2	1	1	1	60	16	22
8	1	1	2	1	1	1	70	18	25
9	1	1	2	1	1	1	80	20	28
10	1	1	2	1	1	1	90	22	31
11	1	1	2	1	1	1	100	24	34
12	1	1	2	1	1	1	110	26	37
13	1	1	2	1	1	1	120	28	40
14	1	1	2	1	1	1	130	30	43
15	1	1	2	1	1	1	140	32	46
16	1	1	2	1	1	1	150	34	49
17	1	1	2	1	1	1	160	36	52
18	1	1	2	1	1	1	170	38	55
19	1	1	2	1	1	1	180	40	58
20	1	1	2	1	1	1	190	42	61



## ELECTROHEAT MKV HEAT PUMPS

Greater interest in environmentally friendly and cost-effective pool heating has seen an increase in the use of heat pumps to heat pools. To meet the demand, Waterco has added the Electroheat MKV to its heat pump range with heat output capacities including 9, 12, 15, 19 and 23kW which are ideal for heating plunge pools, swim spas, spas and swimming pools as a solar replacement and season extender.

Performance Specifications					
	Electroheat MKV				
Nominal Power Output (kW)*	9	12	15	19	23
Nominal Heating Capacity BTU*	30700	41000	51000	64000	78,500
Product Code	<b>278095</b>	<b>278123</b>	<b>278152</b>	<b>278192</b>	<b>278232</b>
Power Output (kW): Air 26C / Water 26C / RH63%	8.9	11.7	13.5	18.5	21.8
COP	5.9	6.1	6.1	6.3	6.2
Power Output (kW): Air 15C / Water 24C / RH 70%	6.8	9.2	9.4	17.0	20.0
COP	4.8	4.8	4.3	5.8	5.7
Supply Voltage (VAC)	240	240	240	240	240
Supply Voltage Phase	Single Phase				
Power Consumption (kW/h)	1.5	1.9	2.2	2.9	3.5
Full Load Amps	9	12	12	22	30
Minimum Breaker or Fuse (AMP)	16	20	20	30	40
Electrical Connection	10A plug	15A plug	Terminals		
Min. / Max. Ambient Air Temperature (C)	10 / 40				
Min. / Max. water inlet temp (C)	18 / 40				
Water Connections (mm)	40mm				
Bypass	External 3 x 2 way				
Min. / Max. Water Flow Rate LPM	120 - 230				
Unit Dry Weight (kg)	51	55	79		
Dimensions W x L x H (mm)	1269 x 361 x 717				
Refrigerant	R410A				
Heat Exchanger Max. pressure	3.5 bar / 350 kPa				

## ELECTROHEAT MKV HEAT PUMPS - R410

Part Number	Product Description	Nominal Size	NZ List Price	Retail Inc GST
278095	Electroheat MK V 9KW 240V 10A plug	9kW	3,750.00	4,312.50
278123	Electroheat MK V 12KW 240V 15A plug	12KW	4,600.00	5,290.00
278152	Electroheat MK V 15KW 240V 50HZ	15KW	5,750.00	6,612.50
278192	Electroheat MK V 19KW 240V 50HZ	19KW	7,200.00	8,280.00
278232	Electroheat MK V 23KW 240V 50HZ	23KW	8,600.00	9,890.00



## ELECTROHEAT PLUS MKIII HEAT PUMPS

Featuring an extra large evaporator area for maximum ambient heat extraction and vertical ventilation the Electroheat Plus is ideal for heating:

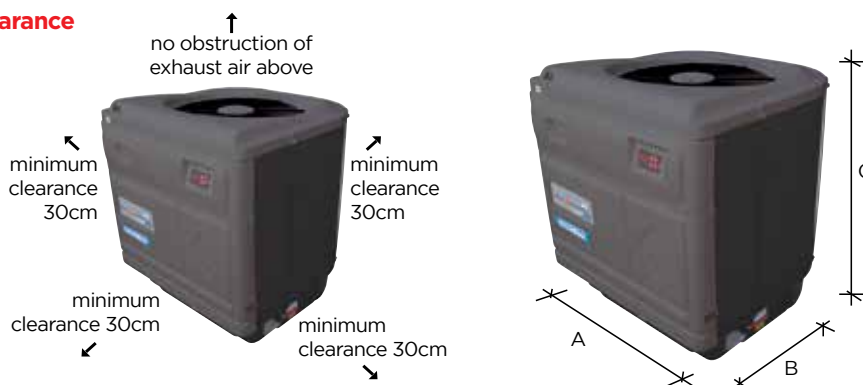
- Swimming pools for year round enjoyment
- Swimming pools to extend the season
- Swimming pools where roof space for solar is limited
- Available in 25, 31 & 44kW heating capacities

Performance Specifications			
	Electroheat Plus		
Nominal Power Output (kW)*	25	31	44
Nominal Heating Capacity BTU*	85,000	105,000	150,000
Power Output (kW): Air 26C / Water 26C / RH63%	24.5	30.6	43.7
COP	4.9	5.5	5.7
Power Output (kW): Air 15C / Water 24C / RH70%	22.5	28.5	42.0
COP	4.5	5.2	5.4
Supply Voltage (VAC)	380 - 415		
Supply Voltage Phase	Three Phase		
Power Consumption (kW/h)	5.0	5.6	7.7
Full Load Amps (AMP)	12	14	17
Minimum Breaker or Fuse (AMP)	20	25	32
Electrical Connection	Terminals		
Min./Max. Ambient Air Temperature (C)	10 / 40		
Min./Max. water inlet temp (C)	18 / 40		
Water Connections (mm)	40mm slip		
Water Bypass Type	External Field		
Min./Max. Water Flow Rate LPM	120 - 230	130 - 300	
Weight (kg)	84	87	93
Dimensions W x L x H (mm)	750 x 850 x 1000	890 x 880 x 1130	
Refrigerant	R410A		

### Dimensions

Model	A	B	C
ElectroHeat Plus MK III 25kW	780mm	890mm	870mm
ElectroHeat Plus MK III 31kW, 44kW	890mm	880mm	1120mm

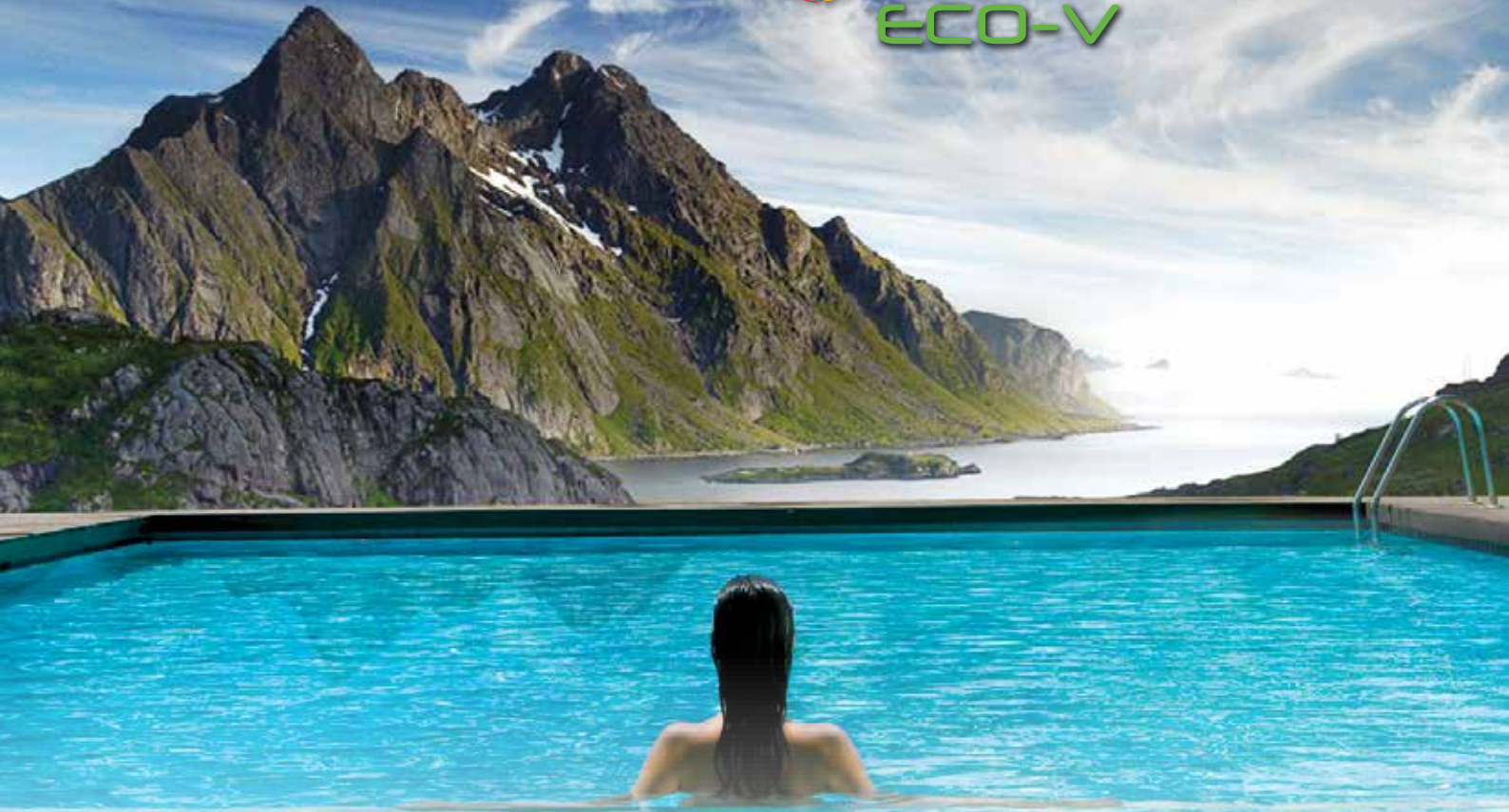
### Clearance



## ELECTROHEAT PLUS MKIII HEAT PUMPS - R410

Part Number	Product Description	Nominal Size	NZ List Price	Retail Inc GST
2782533	Electroheat Plus 25 MKIII (3 Phase)	25 kW	9,450.00	10,867.50
2783133	Electroheat Plus 31 MKIII (3 Phase)	31 kW	11,650.00	13,397.50
2784433	Electroheat Plus 44 MKIII (3 Phase)	44 kW	16,500.00	18,975.00

# Electr Heat ECO-V



Electroheat ECO-V Inverter heat pumps are more energy efficient than standard heat pumps and can heat the pool even when the ambient air temperature is close to 0°C.

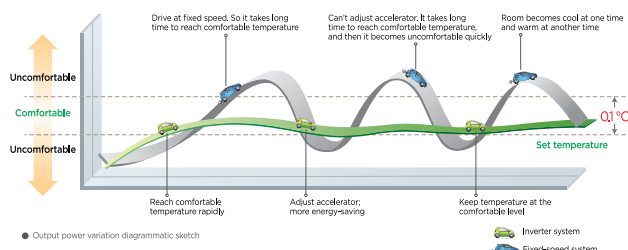
- 15 - 30% in energy savings
- Quiet operation
- Automatic evaporator de-icing
- Available in 12kW, 17kW, 21kW, 25kW, 35kW and 45kW heat & cool models



## ELECTROHEAT ECO-V SIDE VENT

Electroheat ECO V side vent inverter pool heat pumps utilise a variable speed compressor to regulate the pool water temperature automatically and independently.

- Inverter technology uses a variable speed compressor motor similar to a car's engine.
- It slows down and speeds up as needed to hold a selected set temperature
- The desired set temperature will be reached more quickly and maintained more efficiently.
- Inverter technology provides a more precise water temperature without the fluctuations and power wastage of fixed speed systems.
- Inverter technology is significantly more energy efficient with energy savings of up to 30% over fixed speed systems.
- The speed control of the compressor and fan motor also means quieter operation.



Performance Specifications - Electroheat ECO-V Inverter Side Vent						
Model			9kW	12kW	17kW	25kW
Air 27C / Water 26C	Heating Capacity	KW	11.9 - 3.8	14.5 - 4.2	20.2 - 5.3	27.0 - 14.3
	Electrical Input	KW	1.4 - 0.25	2.4 - 0.48	3.0 - 0.5	5.1 - 1.75
	COP		8.48 - 15.2	5.99 - 8.75	6.64 - 10.6	5.3 - 8.2
	Normal Current	Amps	6.1 - 1.1	10.4 - 2.1	13.0 - 2.2	24.2 - 3.95
Air 15C / Water 26C	Heating Capacity	KW	9.2 - 2.5	12.2 - 3.5	17.0 - 4.5	24.1 - 6.1
	Electrical Input	KW	1.86 - 0.32	2.36 - 0.46	3.62 - 0.61	5.25 - 0.85
	COP		4.95 - 7.8	4.85 - 7.6	4.7 - 7.4	4.6 - 7.2
	Normal Current	Amps	8.08 - 1.4	9.85 - 2.0	15.7 - 2.65	24.2 - 3.95
Power Supply	V / Hz					
Supply Voltage Phase						
Breaker or fuse size	Amps	20	20	20	32	
Electrical Connection		15A Plug	15A Plug	Terminals		
Set Temperature range	°C					
Operating Temp range	°C					
Water Heat Exchanger						
Heat Exchanger Max. Pressure						
Compressor						
Compressor Quantity						
Fan Quantity		2				
Exhaust Direction						
Water Inlet / Outlet Dimension						
Hydraulic Connection	mm					
Nominal Water flow	LPM	84 - 94	100 - 110	110 - 120	165 - 195	
Sound Pressure at 1M	dB(A)	50 - 58				
Sound Pressure at 10M	dB(A)	32 - 40				
Unit Dimensions (L*W*H)	mm	1092 * 402 * 1276				
Cabinet Material		Powder Coat Steel				
Net Weight	kg	53	59	67	126	
Refrigerant		R410A				
Display		LCD				
Modes						

## ELECTROHEAT ECO V INVERTER POOL HEAT PUMPS - SIDE VENT

Part Number	Product Description	Nominal Size	NZ List Price	Retail Inc GST
2780510	Electroheat ECO-V Inverter 5KW heat/cool 10amp plug R32	7kW	4,200.00	4,830.00
2780910	Electroheat ECO-V Inverter 9KW heat/cool 10amp plug R32	12kW	5,450.00	6,267.50
2781211	Electroheat ECO-V Inverter 12KW heat/cool 15amp plug R32	15kW	6,650.00	7,647.50
2781711	Electroheat ECO-V Inverter 17KW heat/cool R32	20kW	9,350.00	10,752.50
2782511	Electroheat ECO-V Inverter 25KW heat/cool R410	27kW	11,750.00	13,512.50



## ELECTROHEAT ECO V INVERTER POOL HEAT PUMPS

Electroheat ECO V inverter pool heat pumps utilise a variable speed compressor to regulate the pool water temperature automatically and independently.

- Inverter technology uses a variable speed compressor motor similar to a car's engine.
- It slows down and speeds up as needed to hold a selected set temperature
- The desired set temperature will be reached more quickly and maintained more efficiently.
- Inverter technology provides a more precise water temperature without the fluctuations and power wastage of fixed speed systems.
- Inverter technology is significantly more energy efficient with energy savings of up to 30% over fixed speed systems.
- The speed control of the compressor and fan motor also means quieter operation.

### Specifications

Performance Specifications						
Nominal Power Output (kW)*	12	17	21	25	35	45
Power Output: Air 27 C / Water 26 C / RH 80%	11.2 - 6.5	21.0 - 5.46	24.0 - 6.24	26.6 - 6.9	37.6 - 14.3	47.6 - 18.5
Electrical Input (kW)	2.4 - 0.84	4.05 - 0.62	5.0 - 0.69	5.95 - 0.85	7.2 - 1.75	8.7 - 2.2
COP	4.6 - 7.7	5.2 - 8.2	5.2 - 8.2	5.2 - 8.2	5.2 - 8.2	5.4 - 8.4
Power Output: Air 15 C / Water 26 C / RH 70%	6.0 - 3.0	17.2 - 4.6	21.0 - 5.1	24.1 - 6.1	31.5 - 12.0	41.5 - 16.1
Electrical Input (kW)	2.4 - 0.84	4.05 - 0.62	5.0 - 0.69	5.95 - 0.85	7.33 - 1.79	9.88 - 2.48
COP	2.5 - 3.6	4.25 - 7.45	4.20 - 7.4	4.05 - 7.2	4.30 - 6.7	4.2 - 6.5
Normal Current (Amp)	10.0 - 3.6	17.6 - 2.7	21.7 - 3.0	27.2 - 3.95	12.1 - 2.96	16.3 - 4.10
Supply Voltage (VAC)	230 - 240/50Hz				380 - 415V/50Hz	
Supply Voltage Phase	Single Phase				Three Phase	
Breaker or Fuse (AMP)	16	20	25	32	20	20
Electrical Connection	10A plug	terminal box				
Min. / Max. Ambient Air Temperature (C)	> 0 / 40	-5 / 43			-10 / 43	
Min. / Max. water inlet temp (C)	10 / 40	1 / 40			1 / 40	
Water Connections (mm)	40 Slip				50 Slip	
Water Bypass Type	External Field Install 3 X 2 way					
Heat Exchanger Max. pressure	3.5 bar / 350kPa					
Min. / Max. Water Flow Rate LPM	115 - 160	110 - 160	135 - 185	145 - 195	200 - 230	250 - 270
Sound Pressure Level @ 1 meter	46 - 57	49 - 59			50 - 59	
Sound Pressure Level @ 10 meters	27 - 37	31 - 41			32 - 42	
Weight (kg)	43	118	120	122	200	236
Dimensions W x L x H (mm)	636 x 714 x 973	810 x 880 x 1075			1450 x 702 x 950	1450 x 702 x 1260
Cabinet Material	Polymer				Powder Coat Steel	
Refrigerant	R410A					
Fast Evaporator De-icing	Yes					
Mode	Heat Only	Heat / Cool				

### ELECTROHEAT ECO V INVERTER POOL HEAT PUMPS - TOP VENT

Part Number	Product Description	Nominal Size	NZ List Price	Retail Inc GST
2781210	Electroheat ECO-V Inverter 12KW 15amp Plug heat / cool R410	12kW	7,050.00	8,107.50
2781713	Electroheat ECO-V Inverter 21KW heat/cool	21kW	9,750.00	11,212.50
2782113	Electroheat ECO-V Inverter 24KW heat/cool	24kW	11,000.00	12,650.00
2782513	Electroheat ECO-V Inverter 27KW heat/cool	27kW	12,900.00	14,835.00
2783113	Electroheat ECO-V Inverter 39KW heat/cool	39kW	16,700.00	19,205.00
2783513	Electroheat ECO-V Inverter 38KW heat/cool 3 Phase	38kW	16,450.00	18,917.50
2784513	Electroheat ECO-V Inverter 48KW heat/cool 3 Phase	48kW	20,100.00	23,115.00



## ELECTROHEAT BYPASS KIT

Waterco has introduced a new preassembled Heat Pump Bypass kit to make installation and operation easier for our customers and consumers. The bypass is compatible on all Electroheat heat pumps with 360mm, 460mm, 472mm & 283mm centred water connections.

Waterco Product Code	Product Description	BYPASS Product Code	Outlet Centres	Size
278095	Electroheat MKV 9KW	69051364	283mm	40mm
278123	Electroheat MKV 12KW	69051364	283mm	40mm
278152	Electroheat MKV 15KW	69051364	283mm	40mm
278192	Electroheat MKV 19KW	69051363	460mm	40mm
278232	Electroheat MKV 23KW	69051363	460mm	40mm
2782533	Electroheat Plus 25KW	69051363	460mm	40mm
2783133	Electroheat Plus 31KW	69051363	460mm	40mm
2783733	Electroheat Plus 37KW	69051363	460mm	40mm
2784433	Electroheat Plus 44KW	69051363	460mm	40mm
2782311	Electroheat Ultra 23KW	69051363	460mm	40mm
278100313	Electroheat Ultra 29KW	69051363	460mm	40mm
278150313	Electroheat Ultra 44KW	69051363	460mm	40mm
2781210	Electroheat ECO-V TV 12KW	69051364	283mm	40mm
2781710	Electroheat ECO-V TV 17KW	69051365	360mm	40mm
2782110	Electroheat ECO-V TV 21KW	69051365	360mm	40mm
2782510	Electroheat ECO-V TV 25KW	69051365	360mm	40mm
2781713	Electroheat ECO-V TV 17KW	69051365	360mm	40mm
2782113	Electroheat ECO-V TV 21KW	69051365	360mm	40mm
2782513	Electroheat ECO-V TV 25KW	69051365	360mm	40mm
2780510	Electroheat ECO-V SV 5KW	69051364	283mm	40mm
2780910	Electroheat ECO-V SV 9KW	69051364	283mm	40mm
2781211	Electroheat ECO-V SV 12KW	69051364	283mm	40mm
2781711	Electroheat ECO-V SV 17KW	69051364	283mm	40mm

## ELECTROHEAT BYPASS KITS

Part Number	Product Description	Nominal Size	NZ List Price	Retail Inc GST
69051363	Electroheat bypass plumbing kit 460mm	460mm centres	189.00	217.35
69051364	Electroheat bypass plumbing kit 283mm	360mm centres	189.00	217.35
69051365	Electroheat bypass plumbing kit 360mm	360mm centres	189.00	217.35
69051366	Electroheat bypass plumbing kit 472mm	472mm centres	191.00	219.65





## ELECTROHEAT PRO

The new generation Electroheat PRO heat pump range are the latest advancement in commercial size swimming pool heating. The PRO range has been designed to deliver efficient cost effective large pool heating in an easy to operate and install package.

- Electronically controlled temperature management
- Fault diagnostic system and inbuilt protection devices
- Hermetic scroll compressors
- Titanium heat exchangers
- R410A Refrigerant
- Bluefin treated evaporators

### Electroheat Pro Commercial heat pump

The largest of the Electroheat commercial range available in 110, 150 and 250kW units are designed to offer maximum output and reliability in a commercial setting. The heat pump cabinet is constructed using high gauge powder -coated steel ensuring a high-quality finish and sturdy construction.

### Twisted Coil Titanium Heat Exchanger

Twisted coil technology increases the surface area and allows increased water contact time, promoting higher heat transfer, delivering some of the highest efficiencies in their class.

A Titanium Heat Exchanger offers total protection against erosion and corrosion. Titanium metal's corrosion resistance is due to a stable, protective, strongly adherent oxide film. This film forms instantly when a fresh surface is exposed to air or moisture.

Titanium is resistant to: chlorinated water, ozone, iodine, Baquacil, bromine and salt water.

The Electroheat Pro range boasts innovative design solutions, such as multiple Copeland Scroll compressors (380-415V/50Hz/3ph),

## ELECTROHEAT PRO

Part Number	Product Description	Nominal Size	NZ List Price	Retail Inc GST
27883803025	Electroheat Pro 110 (Three Phase)	100kW	37,700.00	43,355.00
27883803030	Electroheat Pro 150 (Three Phase)	150kW	53,750.00	61,812.50
27883803050	Electroheat Pro 250 (Three Phase)	250kW	89,550.00	102,982.50

## Specifications

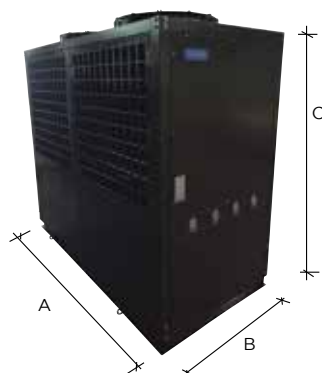
Model Number	110	150	250
Order Code	27883803025	27883803030	27883803050
Nominal Heating Cooling Capacity			
Power Output Heat (27/27/80)	110 kW (376,000 BTU)	157 kW (537,000 BTU)	262 kW (895,100 BTU)
Power Output Heat (24/27/70)	105 kW (358,000 BTU)	150kW (511,500 BTU)	250 kW (852,500 BTU)
Power Output Heat (15/27/70)	85 kW (290,500 BTU)	112 kW (384,900 BTU)	191 kW (652,900 BTU)
Power Output Cool (35/27/70)	60 kW (205,800 BTU)	75 kW (255,600 BTU)	122 kW (418,300 BTU)
Compressor (HP)	(2 x) 12 HP	(2 x) 15HP	(4 x) 12HP
Manufacturer	Copeland	Copeland	Copeland
Compressor number	VP144KSE-TFP-522	VP182KSE-TFP-522	VP144KSE-TFP-522
Water Flow & Plumbing Characteristics			
Water Bypass Type	External Field Install	External Field Install	External Field Install
Min./Max. Water Flow Rate (LPM)	650 - 750	950 - 1050	950 - 1050
Min./Max. Water Inlet Temperature (°C)	14° - 40°	14° - 40°	14° - 40°
Plumbing Connection Size (Slip)	80mm PVC	80mm PVC	100mm PVC
Electrical Characteristics			
50Hz Dual Rated Supply Voltage (VAC)	380 - 415V	380 - 415V	380 - 415V
Supply Voltage Phase	3Ø	3Ø	3Ø
Min / Max HACR Breaker (AMP)	50 / 60	80 / 100	160 / 160
Power consumption (kW/h)	16.12	16.6	36
Coefficient of Performance (COP)	5.36	5.3	5.2
Max Fan Speed (RPM)	900	780	900
Air Flow (CFM) each	9500 / 5613	15000 / 8820	9500 / 5613
Fan Discharge / Fan Diameter (mm)	Vertical / 630mm	Vertical / 710mm	Vertical / 630mm
Min./Max. Air Inlet Temperature (°C)	>0° / 40°	>0° / 40°	>0° / 40°
Refrigerant Characteristics			
Refrigerant Type	R-410A	R-410A	R-410A
Initial Factory Refrigerant Charge (kg)	2 x (5.5)	2 x (6.5)	4 x (5.5)
Evaporator	Hydrophillic aluminium	Hydrophillic aluminium	Hydrophillic aluminium
Titanium coil	Titanium in PVC	Titanium in PVC	Titanium in PVC
Expansion system characteristics	(2x) Expansion Valve - TGEL-9 Danfoss	(2x) Expansion Valve - TGEL-15 Danfoss	(4x) Expansion Valve - TGEL-9 Danfoss
Physical Characteristics			
Cabinet Construction	Black Powder Coat Steel	Black Powder Coat Steel	Black Powder Coat Steel
Segregated Electric Compartment	Yes	Yes	Yes
Weight (kg.)	530	600	1020
Dimensions (mm)	900W - 2000L - 1880H	970W - 2000L - 2026H	2160W - 2000L - 2140H
Clearance around unit (mm)	500	500	500
Noise Characteristics	58dBA@ 3 metres	60dBA@ 3 metres	65dBA@ 3 metres

## Clearance



## Dimensions

Model	A	B	C
Electroheat Pro 110	2000mm	900mm	1880mm
Electroheat Pro 150	2000mm	970mm	2026mm
Electroheat Pro 250	2000mm	2160mm	2140mm





## DIGIHEAT TITANIUM INLINE HEATERS

Digiheat in line heaters are versatile and easy to use. Program your desired water temperature and let Digiheat do the rest.

- Digital temperature management & self diagnosis
- Titanium heating element
- Streamline weather proof housing
- Available in sizes 2.4, 3.6, 4.8, 6.0, 18 & 24kW

### Specifications

Code	DigiHeat Model	Volts	Current Draw	Minimum Circuit Size	Connection Size
2810240	2.4kW	240 Volts (single phase)	10A	15A	40mm
2810360	3.6kW	240 Volts (single phase)	15A	20A	40mm
2810480	4.8kW	240 Volts (single phase)	20A	25A	40mm
2810600	6.0kW	240 Volts (single phase)	25A	30A	40mm
2811830	18.0kW	415 Volts (three phase)	25A	30A	50mm
2812430	24.0kW	415 Volts (three phase)	35A	40A	50mm

Complies with EN60335.260 and AS3136/NZS6232

### Warranty

Waterco DigiHeats are covered by a comprehensive 12 months warranty. Please refer to Waterco's warranty terms and conditions.

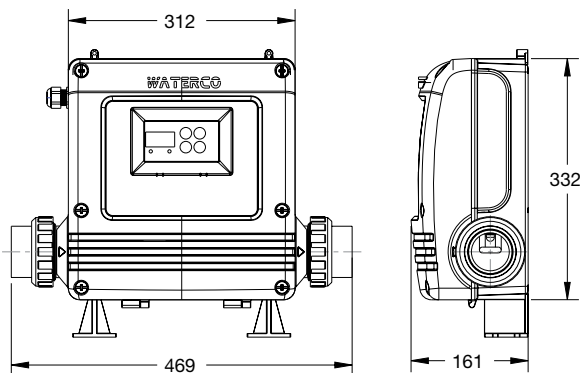
Single Phase	Three Phase
Available in sizes 2.4, 3.6, 4.8 & 6.0kW for single phase 240 Volts	Available in sizes 18 & 24kW for 3 phase 415 Volts

Model kW	Time required to heat 1000 Ls by 1 deg C in minutes:	Time required to heat 1000 Ls by 5 deg C in minutes:
2.4kW	31	155
3.6kW	22	103
4.8kW	15	77
6kW	9	46
18kW	4	20
24kW	3	15

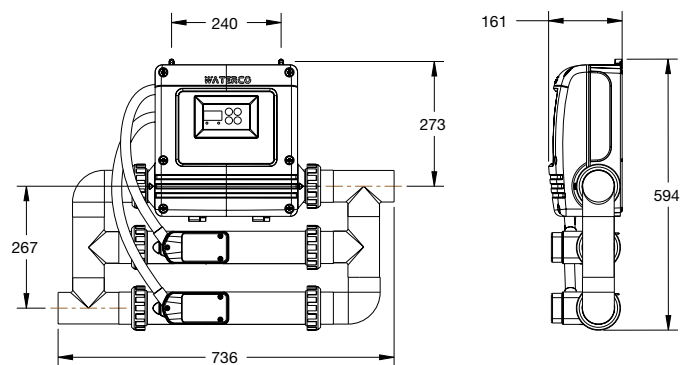
\*The above is a only a guide and is dependent upon other factors such as heat loss and ambient conditions at the time of operation.

### Dimensions

Single phase model



Three phase model



### DIGIHEAT TITANIUM INLINE HEATERS - hard wired

Part Number	Product Description	Nominal Size	NZ List Price	Retail Inc GST
2810240	Digiheat 2.4kW Inline Heater - titanium element	2.4kW	1,900.00	2,185.00
2810360	Digiheat 3.6kW Inline Heater - titanium element	3.6kW	1,900.00	2,185.00
2810480	Digiheat 4.8kW Inline Heater - titanium element	4.8kW	1,950.00	2,242.50
2810600	Digiheat 6.0kW Inline Heater - titanium element	6.0kW	2,000.00	2,300.00
2811830	Digiheat 18.0kW Inline Heater - titanium element	18.0kW	4,350.00	5,002.50
2812430	Digiheat 24.0kW Inline Heater - titanium element	24.0kW	4,700.00	5,405.00



## FLOCHECK VALVE

The Flocheck valve monitors water flow and will stop the solar pump or heater if the filtration system is not primed with water.

### FLOCHECK VALVE

Part Number	Product Description	Nominal Size	List Price	Price Incl. GST
<b>Solar Flocheck valves</b>				
85540	Flocheck valve (Calibrated to 60LPM on/30LPM off) solar	40mm	161.80	186.07
85530	Flocheck valve (Calibrated to 60LPM on/30LPM off) solar	50mm	237.70	273.36
85533	Flocheck valve (Calibrated to 60LPM on/30LPM off) ZX3000	50mm	237.70	273.36
<b>Heatpump, gas heater, electric heater Flocheck valve</b>				
85531	Flocheck valve - Conventional heaters (calibrated to 200lpm)	50mm	237.00	272.55



## TURBOTEMP

No matter what you're seeking in your swimming pool heater, the Turbotemp heater measures up. Compare this list of features to any other and you'll see why Turbotemp heaters are setting a new standard for total value.

- Very compact design.
- A fully pre-mixed burner system with a highly efficient air and gas mixture.
- Hot surface ignition eliminating the requirement for a pilot.
- Push button digital controls with easy to view rotating display.
- Engineered for super quiet operation.
- Certified for low NOx emissions.
- Safe operation through a series of features including:-
  - o Water pressure switch
  - o Over temperature switch
  - o Stack flue sensor
  - o Manual gas shut-off for servicing

### Pool Sizing\*

°C Temperature Change/24 Hrs.	Heater Size			Heater Size		
	Model 200	Model 300	Model 400	Model 200	Model 300	Model 400
	Pool Capacity in Ls			Pool Surface Area in Sq. Mt. at 1.65m Depth		
2.77	368,635	552,954	737,269	220	329	439
5.44	184,315	276,475	368,635	110	165	220
8.31	122,878	184,319	245,756	73	110	146
11.08	92,160	138,239	184,315	55	82	110
13.85	73,728	110,595	147,453	44	66	88
16.62	61,437	92,156	122,878	37	55	73
19.39	52,663	78,994	105,325	31	47	63
22.16	46,080	69,122	92,160	27	41	55

### Spa Sizing\*

Model	Spa Volume (Ls)								
	750	1,150	1,500	1,900	2,250	2,650	3,000	3,400	3,800
	Minutes for 16.2°C (30°F) Temperature Rise (Heater Input in 1000 BTU/HR)								
125	31.5	47.3	61.3	77.0	92.8	108.5	124.3	140.0	155.8
200	18.0	27.0	35.0	44.0	53.0	62.0	71.0	80.0	89.0
300	13.5	20.0	26.5	33.0	40.0	46.5	53.0	60.0	66.5
400	9.0	13.0	18.0	22.0	27.0	31.0	35.0	40.0	44.0

### TURBOTEMP

Part Number	Product Description	Nominal Size	NZ List Price	Retail Inc GST
2701251	125 Natural Gas	125MJ	5,850.00	6,727.50
2701252	125 LPG - Propane	125MJ	5,850.00	6,727.50
270201	200 Natural Gas	200MJ	9,200.00	10,580.00
270202	200 LPG - Propane	200MJ	9,200.00	10,580.00
270301	300 Natural Gas	300MJ	10,250.00	11,787.50
270302	300 LPG - Propane	300MJ	10,250.00	11,787.50
270401	400 Natural Gas	400MJ	10,900.00	12,535.00
270402	400 LPG - Propane	400MJ	10,900.00	12,535.00
6844340	150mm Flexible Flue Kit - 125,200,300		880.00	1,012.00
6844350	200mm Flexible Flue Kit - 400		1,700.00	1,955.00
684431106	Metal Flue Collar 150mm		266.00	305.90
684431108	Metal Flue Collar 200mm		282.00	324.30
68460925	Pressure Relief Valve Kit		297.00	341.55

## RAYPAK RANGE

The Raypak gas heater range of residential and small commercial pool and spa gas heaters are capable of heating the biggest or smallest of pools and spas, extending the swimming season and therefore enjoyment.



## SPA HEATER MODEL SPARTAN

The Spartan 131 spa heater is a purpose built spa heater. It is capable of heating almost any spa on demand.

The Spartan provides an extensive list of standard features including:

- Digital display
- Energy saving “hot surface ignition”
- Easy integration with other pool & spa control equipment
- Polymer headers for improved longevity
- Child lock function
- Service code diagnostics
- Remote control option
- Suitable for outdoor installations only
- Natural and LP gas models



## POOL HEATER MODELS 200 TO 430

- Robust powder coated all metal construction
- Cupro-nickel heat exchanger for greater protection against corrosion
- Polymer Headers for improved longevity
- Allows operation of two motorised actuator valves (pool / spa changover)
- Pump run on timer for cooldown
- Energy saving “hot surface ignition”
- Easy integration with other pool & spa control equipment
- Remote control option
- Suitable for indoor or outdoor installations
- Service code diagnostics
- Child lock function
- Natural and LP gas models
- Manufactured in Australia



## MODELS - RAYPAK PREMIUM SMALL COMMERCIAL GAS POOL HEATER RANGE

The Raypak range of small commercial pool and spa gas heaters feature bronze headers for better resistance against corrosion and are capable of heating the biggest or smallest of pools and spas, extending swimming time and enjoyment.

### Raypak Premium Range Pool Heater Features

- Robust powder coated all metal construction
- Bronze Headers for greater heat tolerance and protection against corrosion
- Cupro nickel heat exchanger
- Allows operation of two motorised actuator valves (pool / spa changover)
- Pump run on timer for cooldown
- Energy saving “hot surface ignition”
- Easy integration with other pool & spa control equipment
- Remote control option
- Suitable for indoor or outdoor installations
- Service code diagnostics
- Child lock function
- Natural and LP gas models
- Manufactured in Australia

### Heater Accessories

A range of accessories is available to assist with Raypak gas heater installation. Accessories should be ordered with the gas heater for included supplier freight charges.

## RESIDENTIAL RANGE

Part Number	Product Description	Ref page	Nominal Size	NZ List Price	Retail Inc GST
2702001	Raypak Gas Heater 200 NG	95	196MJ	6,950.00	7,992.50
2702002	Raypak Gas Heater 200 LPG	95	185MJ	6,950.00	7,992.50
2702801	Raypak Gas Heater 280 NG	95	278MJ	7,150.00	8,222.50
2702802	Raypak Gas Heater 280 LPG	95	261MJ	7,150.00	8,222.50
2703501	Raypak Gas Heater 350 NG	95	343MJ	7,950.00	9,142.50
2703502	Raypak Gas Heater 350 LPG	95	323MJ	7,950.00	9,142.50
2704301	Raypak Gas Heater 430 NG	95	420MJ	8,350.00	9,602.50
2704302	Raypak Gas Heater 430 LPG	95	369MJ	8,350.00	9,602.50
27020011	Raypak Gas Heater 200 NG RW	Special Order	95	196MJ	
27020021	Raypak Gas Heater 200 LPG RW	Special Order	95	185MJ	
27028011	Raypak Gas Heater 280 NG RW	Special Order	95	278MJ	
27028021	Raypak Gas Heater 280 LPG RW	Special Order	95	261MJ	
27035011	Raypak Gas Heater 350 NG RW	Special Order	95	343MJ	
27035021	Raypak Gas Heater 350 LPG RW	Special Order	95	323MJ	
27043011	Raypak Gas Heater 430 NG RW	Special Order	95	420MJ	
27043021	Raypak Gas Heater 430 LPG RW	Special Order	95	369MJ	

## PREMIUM RANGE WITH BRONZE HEADERS

Part Number	Product Description	Ref page	Nominal Size	NZ List Price	Retail Inc GST
2702803	Raypak Comm Gas Heater 278 MJ NG	95	278MJ	10,550.00	12,132.50
2702804	Raypak Comm Gas Heater 261 MJ LPG	95	261MJ	10,600.00	12,190.00
2704303	Raypak Comm Gas Heater 420 MJ NG	95	420MJ	11,350.00	13,052.50
2704304	Raypak Comm Gas Heater 369 MJ LPG	95	369MJ	11,300.00	12,995.00
27028031	Raypak Comm Gas Heater 280 NG RW	Special Order	95	278MJ	
27028041	Raypak Comm Gas Heater 280 LPG RW	Special Order	95	261MJ	
27043031	Raypak Comm Gas Heater 430 NG RW	Special Order	95	420MJ	
27043041	Raypak Comm Gas Heater 430 LPG RW	Special Order	95	369MJ	

## HEATER ACCESSORIES (to be ordered with heater for included freight)

Part Number	Product Description	Ref page	NZ List Price	Retail Inc GST
27056009220	Remote In-house Thermostat	-	400.00	460.00
27056009221	Remote Thermostat Cable 10m	-	86.00	98.90
27056009222	Remote Thermostat Cable 20m	-	129.00	148.35
27056009223	Remote Thermostat Cable 50m	-	215.00	247.25
27056009224	Flow Switch Kit - 40 / 50mm diam.	-	500.00	575.00
27096501222	Pressure Relief Valve (PRV) - 45psi 0.6 MBTU	-	142.00	163.30
27096800040	Header Coupling Kit 40mm (2 off per kit)	-	129.00	148.35
27096800050	Header Coupling Kit 50mm (2 off per kit)	-	160.00	184.00
27096959305	Power Vent R6MVAHT (0.18kW)	-	5,550.00	6,382.50
27096959312	Power Vent Adaptor Kit 200	-	385.00	442.75
27096959313	Power Vent Adaptor Kit 280	-	425.00	488.75
27096959314	Power Vent Adaptor Kit 350	-	425.00	488.75
27096959315	Power Vent Adaptor Kit 430	-	425.00	488.75
27096009203	High Wind Top (HWT) Kit - Model 200	-	410.00	471.50
27096009204	High Wind Top (HWT) Kit - Model 280	-	700.00	805.00
27096009205	High Wind Top (HWT) Kit - Model 350	-	700.00	805.00
27096009206	High Wind Top (HWT) Kit - Model 430	-	750.00	862.50
27096009178	Indoor Hood Kit - Model 200	-	850.00	977.50
27096009179	Indoor Hood Kit - Model 280	-	900.00	1,035.00
27096009180	Indoor Hood Kit - Model 350	-	1,000.00	1,150.00
27096009181	Indoor Hood Kit - Model 430	-	1,150.00	1,322.50
27056108109	Indoor Hood Kit (Adaptor Plate Only) Model 200	-	148.00	170.20
27056108209	Indoor Hood Kit (Adaptor Plate Only) Model 280	-	148.00	170.20
27056108309	Indoor Hood Kit (Adaptor Plate Only) Model 350	-	148.00	170.20
27056108409	Indoor Hood Kit (Adaptor Plate Only) Model 430	-	148.00	170.20
27096959310	Twin Relay Box		1,800.00	2,070.00



## ULTRAVAC SERVICE TROLLEY W/AU PLUG

Part Number	Product Description	Ref page	NZ List Price	Retail Inc GST
326401	Ultravac service trolley with AU plug	110	4,750.00	5,462.50



## ECOSKIM

Part Number	Product Description	Ref page	NZ List Price	Retail Inc GST
29230	Ecoskim	111	820.00	943.00



## ELITE AUTOMATIC POOL CLEANER HOSES

Part Number	Product Description	Ref page	NZ List Price	Retail Inc GST
50044	1M Hose	-	20.20	23.23
50048	1M Hose (Pack of 10)	-	160.00	184.00



## THE POOL CLEANER

Part Number	Product Description	Ref page	NZ List Price	Retail Inc GST
326300	Suction Cleaner 2 Wheel - Fibreglass / Concrete	110	1,000.00	1,150.00
326301	Suction Cleaner 2 Wheels - for tiled pools	-	980.00	1,127.00



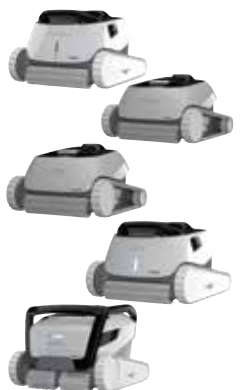
## AUTO POOL CLEANER ACCESSORIES

Part Number	Product Description	Ref page	NZ List Price	Retail Inc GST
326343	Leaf Canister Large 1A-W530	-	195.00	224.25
326346	Leaf Canister Standard 1A-W560	-	132.00	151.80



## SWIMKLEEN CLEANERS

Part Number	Product Description	Ref page	NZ List Price	Retail Inc GST
326341	Swimkleen MKII	-	440.00	506.00
326342	Swimkleen NAV	-	780.00	897.00
326308	Swimkleen ATV	-	920.00	1,058.00
326309	Swimkleen ATV - for tiled pools	-	950.00	1,092.50



## TRIDENT ROBOTIC POOL CLEANERS

Part Number	Product Description	Ref page	NZ List Price	Retail Inc GST
326394	Trident ECO	112	1,250.00	1,437.50
326418	Dolphin ECO	-		
326419	Dolphin ECO Plus	112		
326412	Dolphin X20	113	1,700.00	1,955.00
326424	Dolphin X25	113		
326395	Trident HYDRO		2,350.00	2,702.50
326420	Dolphin HYDRO Plus			
326399	Trident ULTRA		2,950.00	3,392.50
326421	Dolphin ULTRA IOT			
326402	Dolphin Ultimate		3,400.00	3,910.00
326422	Dolphin Liberty 400 (Rechargeable Battery)			



## SUPREME ROBOTIC POOL CLEANER

Part Number	Product Description	Ref page	NZ List Price	Retail Inc GST
326408	Dolphin S100 Climb/Rob P/Cleaner	Builders -	2,050.00	2,357.50



## WATERCO PREMIUM VACUUM HOSES



Part Number	Product Description	Ref page	Carton Qty	NZ List Price	Retail Inc GST
31007	Waterco Standard Vacuum Hose 38mm	-	7m	199.00	228.85
31008	Waterco Standard Vacuum Hose 38mm	-	8m	218.00	250.70
31009	Waterco Premium Vacuum Hose 38mm	-	9m	181.00	208.15
31011	Waterco Premium Vacuum Hose 38mm	-	11m	222.00	255.30
31013	Waterco Premium Vacuum Hose 38mm	-	13m	259.00	297.85
31015	Waterco Premium Vacuum Hose 38mm	-	15m	305.00	350.75

## WATERCO STANDARD VACUUM HOSES

Part Number	Product Description	Ref page	Carton Qty	NZ List Price	Retail Inc GST
310109	Waterco Standard Vacuum Hose 38mm	-	9m	156.00	179.40
310111	Waterco Standard Vacuum Hose 38mm	-	11m	189.00	217.35
310113	Waterco Standard Vacuum Hose 38mm	-	13m	201.00	231.15
310115	Waterco Standard Vacuum Hose 38mm	-	15m	224.00	257.60

## SWIMKLEEN GENUINE SECTIONALISED HOSE



Part Number	Product Description	Ref page	NZ List Price	Retail Inc GST
50100	10x1m Blue Suction Cleaner Hose (Swimkleen)	-	140.00	161.00
50111	10x1m Silver Suction Cleaner Hose (Swimkleen 2)	-	240.00	276.00
50044	Smart / Elite 1m hose	-	20.20	23.23

## VACUUM HOSES - DRUM LOT

Part Number	Product Description	Ref page	Nominal Size	NZ List Price	Retail Inc GST
31000	Standard vacuum hose per metre 32mm	-	Min 80m	8.30	9.55
31001	Standard vacuum hose per metre 40mm	-	Min 80m	11.90	13.69
31002	Deluxe vacuum hose per metre 40mm	-	Min 80m	13.40	15.41
31100	Deluxe vacuum hose per metre 50mm	-	Min 30m	19.20	22.08

## VACUUM CUFFS AND JOINERS

Part Number	Product Description	Ref page	NZ List Price	Retail Inc GST
31132	Vacuum cuff 32mm	-	5.50	6.33
31140	Vacuum cuff 40mm	-	6.00	6.90
31150	Vacuum cuff 50mm	-	6.50	7.48
31232	Vacuum joiner 32mm	-	3.50	4.03
31240	Vacuum joiner 40mm	-	4.00	4.60

## SKIMTROL - SKIMMING CONTROL VACUUM PLATE



Part Number	Product Description	Ref page	Nominal Size "Dia"	NZ List Price	Retail Inc GST
32717	S75 & S/Skimmer Vacplate & Skimtrol (fits 3 & 4 lug) White	110	260	97.50	112.13
32718	S75 & S/Skimmer Vacplate & Skimtrol (fits 3 & 4 lug) Grey	110	260	97.50	112.13
32701	Waterco old style	110	245 x 230	97.50	112.13
32702	Nally/Fulflo	110	245 x 215	97.50	112.13
32703	Poolrite (Old style)	110	230	97.50	112.13
32704	Quiptron	110	245	97.50	112.13
32705	Filrite 950	110	215 x 190	97.50	112.13
32706	Filrite 900	110	225 x 210	97.50	112.13
32707	Clark/Swimquip	110	215	97.50	112.13
32708	Baker Hydro/Purex (Also suits Poolrite)	110	225	97.50	112.13
32709	Paramount SP5000	110	210	97.50	112.13
32710	Special 190mm	110	190	97.50	112.13
32715	SP5000 Skimtrol MKII - lock down White	110	210	97.50	112.13
32716	SP5000 Skimtrol MKII - lock down Grey	110	211	97.50	112.13



# Waterco's Pool Cleaning Accessories

Waterco has redesigned its cleaning accessories to improve hydraulic efficiency and simplify pool maintenance.



**Aqua Finger**

Aqua Finger® makes cleaning smooth surface pools easier and quicker as more surface area is covered by its high density microfibre attachment.

## Multi Purpose Microfibre Broom

- Large surface area for effective cleaning
- Can also be used to clean glass fencing, pool covers and windows



## Brush Vacuum Head Pro

**pro** ▸ Brush and vacuum the pool floor

## Flexible Vacuum Head Pro

**pro** ▸ Weighted for optimum hydraulic balance



## Algae Broom Pro

**pro** Large design to take on the largest Pool Algae problems.

## Algae Brush Pro

**pro** Designed to cut open the hard membranes of "Black Spot" algae.



## Pool Broom Pro

**pro** The broom's curved ends make it easier to sweep around the corners of the pool.



## Leaf Rake Pro

**pro** The rake's leading edge lifts debris up and flicks it into the net.

Designed for many years of functional use, Waterco's pool cleaning accessories are manufactured from the highest quality U.V. stabilised plastics.

## AQUA FINGER® MULTI-PURPOSE SMOOTH SURFACE BROOM



Part Number	Product Description	Ref page	Carton Qty	NZ List Price	Retail Inc GST
31330	Pool Broom Pro With Micro Fibre Sock	114	12	60.50	69.58
31331	Micro Fibre Sock	114	12	30.50	35.08

## PRO SERIES CLEANING ACCESSORIES



Part Number	Product Description	Ref page	Carton Qty	NZ List Price	Retail Inc GST
313054	Brush Vacuum Head Pro	114	12	55.00	63.25
31313	Flexible Vacuum Head Pro	114	12	71.50	82.23
31329	Pool Broom Pro	114	12	45.00	51.75
3132320	Leaf Rake Pro	115	12	49.30	56.70
31308	Algae Brush Pro Blue Bristle	115	12	31.80	36.57
313291	Algae Broom Pro Blue Bristle - large	115	12	50.00	57.50

## WATERCO CLEANING ACCESSORIES



Part Number	Product Description	Ref page	Nominal Size	Carton Qty	NZ List Price	Retail Inc GST
31385	Telescopic pole 8-16'	-	8' - 16'	12	72.00	82.80
31380	Telescopic pole 4-8'	-	4' - 8'	12	48.20	55.43
66215	Wishbone 2 or 4 pin	-			9.50	10.93
66220	Telehandle Cam Set	-			21.20	24.38
66264	Waterco accessory handle with nut & bolt	-			27.20	31.28
36205	Filter Sox	-	Pack of 5	20	22.40	25.76
256000	Floating Tablet Dispenser MKII	-			36.80	42.32
313293	Leaf rake replacement bag	-			19.00	21.85

## WATERCO CLEANING ACCESSORIES CARTONS

Part Number	Product Description	Ref page	Nominal Size	Carton Qty	NZ List Price	Retail Inc GST
313855	Telescopic Pole	-		12	830.00	954.50
313805	Telescopic Pole	-		12	550.00	632.50
7010003	Cap Spanner	-		6	40.10	46.12

## BWT ROBOTIC POOL CLEANERS



Part Number	Product Description	Ref page	NZ List Price	Retail Inc GST
326423	BWT D600 Robotic Pool Cleaner	-	-	-

## POOL CHEMICAL START UP KITS

Part Number	Product Description	Ref page	NZ List Price	Retail Inc GST
6509000	Aqua-Health Fibreglass Starter Pack	-	187.00	215.05
6509001	Aqua-Health Concrete Starter Pack	-	148.00	170.20



## STANDARD HANDOVER KITS

Part Number	Product Description	Ref page	Nominal Size	NZ List Price	Retail Inc GST
<b>Mk III Fibreglass (Aqua Fingers)</b>					
Brush Vac Head					
5944201	Aqua Finger Pro Complete	-	9 Metre	435.00	500.25
5944221	Leaf Rake	-	11 Metre	470.00	540.50
5944241	4-in-1 Test Kit	-	13 Metre	480.00	552.00
5944261	8'-16' Tele Handle	-	15 Metre	510.00	586.50
Standard Vac Hose					
Chem Guide Book					
<b>Mk III Fibreglass (Aqua Fingers)</b>					
Brush Vac Head					
5944202	Aqua Finger Pro Complete	-	9 Metre	435.00	500.25
5944222	Leaf Rake	-	11 Metre	470.00	540.50
5944242	4-in-1 Test Kit	-	13 Metre	480.00	552.00
5944262	8'-16' Tele Handle	-	15 Metre	510.00	586.50
Standard Vac Hose					
Chem Guide Book					
<b>Standard Handover Kit With Pro Aqua Fingers</b>					
Flexi Vac Head PRO					
5944142	Leaf Rake PRO		9 Metre	540.00	621.00
5944162	Pool Broom PRO		11 Metre	570.00	655.50
5944182	Aqua Finger PRO Complete		13 Metre	580.00	667.00
5944192	4-in-1 Test Kit		15 Metre	600.00	690.00
8'-16' Tele Handle					
Standard Vac Hose					
Chem Guide Book					
<b>Standard Handover Kit Fibreglass &amp; Concrete</b>					
5944140	Standard Vac Hose		9 Metre	435.00	500.25
5944160	Flexible Vacuum Head Pro		11 Metre	470.00	540.50
5944180	Leaf Rake Pro		13 Metre	485.00	557.75
5944190	Telescopic Handle 8/16		15 Metre	510.00	586.50
Test Kit 4 In 1 Dpd					
Pool Broom Pro					
Pool Care Guide Booklet					

**PREMIUM HANDOVER KITS**

Part Number	Product Description	Ref page	Nominal Size	NZ List Price	Retail Inc GST
<b>Fibreglass PRO (Aqua Fingers)</b>					
Flexi Vac Head PRO					
59441420	Leaf Rake PRO	-	9 Metre	520.00	598.00
59441620	Pool Broom PRO	-	11 Metre	560.00	644.00
59441820	Aqua Finger PRO Complete	-	13 Metre	600.00	690.00
59441920	4-in-1 Test Kit	-	15 Metre	650.00	747.50
8'-16' Tele Handle					
Premium Vac Hose					
Chem Guide Book					
<b>Ultra Handover Kit Fibreglass Pro</b>					
Brush Vac Head PRO					
5942250	Leaf Rake PRO	-	9 Metre	445.00	511.75
5942260	Deluxe Pool Broom PRO	-	11 Metre	485.00	557.75
5942270	4-in-1 Test Kit	-	13 Metre	520.00	598.00
5942280	8'-16' Tele Handle	-	15 Metre	570.00	655.50
Premium Vac Hose					
Chem Guide Book					
<b>Ultra Handover Kit Fibreglass Pro (Aqua Fingers)</b>					
Brush Vac Head PRO					
5942251	Leaf Rake PRO	-	9 Metre	460.00	529.00
5942261	Aqua Finger Pro Complete	-	11 Metre	500.00	575.00
5942271	4-in-1 Test Kit	-	13 Metre	540.00	621.00
5942281	8'-16' Tele Handle	-	15 Metre	590.00	678.50
Premium Vac Hose					
Chem Guide Book					
<b>Deluxe Handover Kit Concrete Pro</b>					
Brush Vac Head PRO					
5942050	Leaf Rake PRO	-	9 Metre	425.00	488.75
5942060	Pool Broom PRO	-	11 Metre	470.00	540.50
5942070	2-in-1 Test Kit	-	13 Metre	510.00	586.50
5942080	8'-16' Tele Handle	-	15 Metre	550.00	632.50
Premium Vac Hose					
Chem Guide Book					
<b>Premier Handover Kit Concrete Pro</b>					
Flexi Vac Head					
5942210	Leaf Rake PRO	-	9 Metre	465.00	534.75
5942220	Deluxe Pool Broom	-	11 Metre	500.00	575.00
5942230	4-in-1 Test Kit	-	13 Metre	540.00	621.00
5942240	8'-16' Tele Handle	-	15 Metre	590.00	678.50
Premium Vac Hose					
Chem Guide Book					
<b>Premier Handover Kit With CPR Concrete Pro</b>					
Brush Vac Head PRO					
59422110	Leaf Rake PRO	-	9 Metre	445.00	511.75
59422210	Deluxe Pool Broom PRO	-	11 Metre	485.00	557.75
59422310	4-in-1 Test Kit	-	13 Metre	520.00	598.00
59422410	8'-16' Tele Handle	-	15 Metre	570.00	655.50
Premium Vac Hose					
Chem Guide Book					

## PREMIUM HANDOVER KITS

Part Number	Product Description	Ref page	Nominal Size	NZ List Price	Retail Inc GST
<b>Superior Handover Kit Concrete Pro</b>					
Flexi Vac Head PRO					
5942090	Leaf Rake PRO	-	9 Metre	465.00	534.75
5942100	Deluxe Pool Broom PRO	-	11 Metre	500.00	575.00
5942110	4-in-1 Test Kit	-	13 Metre	540.00	621.00
5942120	8'-16' Tele Handle	-	15 Metre	590.00	678.50
Premium Vac Hose					
Chem Guide Book					
<b>Superior Handover Kit Concrete Pro (Aqua Fingers)</b>					
Flexi Vac Head PRO					
59420901	Leaf Rake PRO	-	9 Metre	480.00	552.00
59421001	Aqua Finger PRO Complete	-	11 Metre	520.00	598.00
59421101	4-in-1 Test Kit	-	13 Metre	560.00	644.00
59421201	8'-16' Tele Handle	-	15 Metre	600.00	690.00
Premium Vac Hose					
Chem Guide Book					
<b>Superior Handover Kit With Cpr Concrete Pro</b>					
Flexi Vac Head PRO					
59420910	Leaf Rake PRO	-	9 Metre	465.00	534.75
59421010	Deluxe Pool Broom PRO	-	11 Metre	500.00	575.00
59421110	4-in-1 Test Kit	-	13 Metre	540.00	621.00
59421210	8'-16' Tele Handle	-	15 Metre	590.00	678.50
Premium Vac Hose					
Chem Guide Book					
<b>Executive Handover Kit Fibreglass Pro</b>					
Brush Vac Head PRO					
594213	Pool Broom PRO	-	9 Metre	445.00	511.75
594214	Leaf Rake	-	11 Metre	485.00	557.75
594215	4-in-1 Test Kit	-	13 Metre	520.00	598.00
594216	8'-16' Tele Handle	-	15 Metre	570.00	655.50
Premium Vac Hose					
Chem Guide Book					
<b>Executive Handover Kit Fibreglass (Aqua Fingers)</b>					
Brush Vac Head					
5942131	Aqua Fingers PRO Complete	-	9 Metre	460.00	529.00
5942141	Leaf Rake	-	11 Metre	500.00	575.00
5942151	4-in-1 Test Kit	-	13 Metre	540.00	621.00
5942161	8'-16' Tele Handle	-	15 Metre	590.00	678.50
Premium Vac Hose					
Chem Guide Book					



## TEST KITS

Part Number	Product Description	Ref page	NZ List Price	Retail Inc GST
31405	Waterco 2 in 1 test kit DPD - pH, Total or Free Chlorine	116	26.30	30.25
31410	Waterco 4 in 1 test kit DPD - pH, Alk, Chlor, Hard	116	46.20	53.13



## TEST STRIPS

Part Number	Product Description	Ref page	Tests	NZ List Price	Retail Inc GST
7000007	Aquacheck Silver 7 Way Test Strips	-	6	92.50	106.38
31420	Starver Test Kit	116		29.40	33.81
7000008	Aqua-Health pool & spa test strips	-		40.00	46.00

## CALIBRATION SOLUTION

Part Number	Product Description	Ref page	NZ List Price	Retail Inc GST
60121388	Ph4.00 Buffer /Calibration Solution 250ML	-	90.50	104.08
60121387	pH7.00 Buffer, 200 mL, colour coded	-	54.50	62.68
60121309	Redox Solution Zobell, Part A&B, 2X200ML	-	75.50	86.83

## PALINTEST PHOTOMETER AND REAGEN



Part Number	Product Description	Ref page	NZ List Price	Retail Inc GST
7007025	Pooltest 25 Bluetooth kit	-	4,200.00	4,830.00
70070100	Lumiso pooltest expert	-	4,200.00	4,830.00
7007026	Alkalinity, Total (Alkaphot)	-	200.00	230.00
7007027	Bromine	-	73.50	84.53
7007028	Calcium Hardness (Calcicol)	-	284.00	326.60
7007030	Chlorine (DPD No 1) Free 0-5.0 mg/l Box of 250	-	96.50	110.98
7007031	Chlorine (DPD No 3) Comined and Total Chlorine 0-5.0 mg/l	-	96.50	110.98
7007036	Copper (Coppercol No 1) - Free Copper Only	-	600.00	690.00
7007038	Cyanuric Acid	-	252.00	289.80
7007040	Iron LR	-	500.00	575.00
7007041	Ozone	-	179.00	205.85
7007042	pH (Phenol Red)	-	92.50	106.38
7007043	Phosphate LR	-	410.00	471.50
7007050	Round Test Tubes 10ml Glass - Pack of 5 Long	-	305.00	350.75
7007047	Hydrogen Peroxide	-	510.00	586.50
31480	Perox Express Test Kit	-	244.00	280.60
31481	Hydrogen Peroxide Disc 0-100Ppm	-	210.00	241.50
31482	Phenol Red (Ph) Disc	-	210.00	241.50
31483	Alkalinity Disc	-	210.00	241.50
31484	Chlorine Free And Total Disc 0-5 Ppm	-	210.00	241.50
31492	Calcium Hardness Disc	-	158.00	181.70
31485	Graduated Dilution Tube For D/C	-	63.00	72.45
31486	Test Tubes Cleaning Brush	-	25.20	28.98
31487	Hydrogen Peroxide D/C Box Of 250	-	335.00	385.25
31488	Phenol Red D/C (Ph) Box Of 250	-	73.50	84.53
31489	Alkalinity D/C	-	210.00	241.50
31490	Square Test Tubes Pack Of 5X 10ML	-	94.50	108.68
31491	Crushers/Stirrers	-	1.10	1.27
31493	Calcium Hardness (Tablet count)	-	94.50	108.68

# Pool Accessories



## ULTRAVAC SERVICE TROLLEY

The MultiCyclone Ultra Vac portable filtration cart is a versatile filtration solution for every service need. It gives you the ability to vacuum your swimming pool, water feature, pond or fountain with a portable pump and filter - without losing valuable water.

- Award winning MultiCyclone technology.
- Integrated pleated filter cartridge.
- Extended filter cleaning cycles and increased filter cartridge life span.
- Supastream self-priming pump.
- Powder-coated structural steel trolley with large wheels for easy maneuverability.
- Built in safety protection.

## ULTRAVAC SERVICE TROLLEY W/AU PLUG

Part Number	Product Description	NZ List Price	Retail Inc GST
326401	Ultravac Service Trolley W/AU Plug	4,750.00	5,462.50



## THE POOL CLEANER

The most technically advanced pool cleaner of its type in the world. Designed and developed with the benefit of 31 years' experience. Well established in the USA and European markets, it is the new benchmark for pool cleaners in the Pacific region.

## THE POOL CLEANER

Part Number	Product Description	NZ List Price	Retail Inc GST
326300	Suction Cleaner 2 Wheel - Fibreglass / Concrete	1,000.00	1,150.00
326301	Suction Cleaner 2 Wheels - for tiled pools	980.00	1,127.00



## SKIMTROL AUTOMATIC VACUUM PLATE

Designed to sit directly on top of the skimmer basket, the Skimtrol Automatic Vacuum Plate allows better skimming and vacuum suction control for every brand and model of suction type pool cleaner.

The Skimtrol has an inbuilt adjustable pool cleaner controller to enable the user to set the correct speed and vacuum suction of the pool cleaner as well as determining the amount of surface skimming.

## SKIMTROL - SKIMMING CONTROL VACUUM PLATE



Part Number	Product Description	Nominal Size "Dia"	List Price	Price Incl. GST
32717	S75 & S/Skimmer Vacplate & Skimtrol (fits 3 & 4 lug) White	260	97.50	112.13
32718	S75 & S/Skimmer Vacplate & Skimtrol (fits 3 & 4 lug) Grey	260	97.50	112.13
32701	Waterco old style	245 x 230	97.50	112.13
32702	Nally/Fulflo	245 x 215	97.50	112.13
32703	Poolrite (Old style)	230	97.50	112.13
32704	Quiptron	245	97.50	112.13
32705	Filtrite 950	215 x 190	97.50	112.13
32706	Filtrite 900	225 x 210	97.50	112.13
32707	Clark/Swimquip	215	97.50	112.13
32708	Baker Hydro/Purex (Also suits Poolrite)	225	97.50	112.13
32709	Paramount SP5000	210	97.50	112.13
32710	Special 190mm	190	97.50	112.13
32715	SP5000 Skimtrol MKII - lock down White	210	97.50	112.13
32716	SP5000 Skimtrol MKII - lock down Grey	211	97.50	112.13

# Pool Accessories



## ECOSKIM

The Ecoskim is connected via a flexible hose directly into the bottom of the existing skimmer box. It has a floating, self-adjusting mouth which will continue to operate down to 350mm below the coping. This allows much longer periods between top-ups. The Ecoskim can facilitate up to 4 years without the need for town water top-up, as the water is drawn into the device the floating mouth removes only the very surface of the water which provides a dramatically improved skimming action.

**Average rainfall statistics show. In large areas of Australasia, pools fitted with an Ecoskim should not need to be topped up with town water at all!**

How much water does an Ecoskim actually save?

The average calculated water savings in Brisbane and Sydney were 26,750L per pool, per year in 2009, with no other water saving devices fitted.

These figures were derived from actual Bureau of Meteorology data and Ecoskim has been sanctioned by Smart Approved Watermark.

### Necessity is the Mother of Invention

Our world is changing. Weather patterns are becoming more unpredictable due to global warming. It is becoming more obvious that our rainfall can no longer be relied on. Clean drinking water is now far too precious to be needlessly squandered. Ecoskim was invented, developed and produced in South East Queensland in direct response to prolonged water shortages experienced due to drought. This simple idea has evolved into a convenient sustainable solution to a problem that the standard skimmer has not addressed for decades.

### Enjoy your pool guilt-free, the drought friendly way

- Ecoskim will either eliminate or greatly reduce the amount of water used by swimming pools.
- Ecoskim helps pool owners reduce expensive water fees.
- Ecoskim provides a far more efficient skimming action which helps keep your pool crystal clear.
- Ecoskim can be used simultaneously with pool floor suction cleaning devices.
- Ecoskim will operate for much longer periods without requiring attention giving greater flexibility when on holiday or busy.

Ecoskim will easily attach to most existing skimmer boxes to enhance operation and reduce maintenance. Its streamlined, visually appealing design allows it to snugly fit under the pool's coping (or overhang) with minimal intrusion into the swimming area.

### Quality Counts

Ecoskim is proudly produced in Australia, by Australians, for Australasia conditions.

Ecoskim is made from the highest quality UV stable engineering plastics available and will provide years of trouble free services and savings for pool owners everywhere.

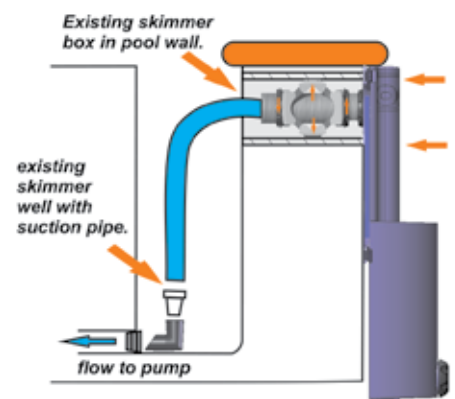
- Save water
- Save Money
- Save Time

### How does Ecoskim work?

Ecoskim is connected via a flexible hose directly into the bottom of the existing skimmer box. It has a floating, self-adjusting mouth which will continue to operate down to 350 mm below the coping. This allows much longer periods between top-ups. To date, Ecoskim has provided up to 4 years without the need for town water top-up.

As the water is drawn into the device the floating mouth removes only the very surface of the water which provides a dramatically improved skimming action.

This action removes surface debris far more quickly than a standard skimmer.



## ECOSKIM

Part Number	Product Description	NZ List Price	Retail Inc GST
29230	Ecoskim	820.00	943.00



# Pool Accessories



- ✓ Advanced cleaning technologies
- ✓ Designed for reliable, long-lasting performance
- ✓ Cost-effective & easy maintenance

## TRIDENT HYDRO PLUS

The Trident HYDRO PLUS robotic pool cleaner:

Experience superior pool cleaning with this advanced robotic pool cleaner. It is ultra-light weight and with quick water release, the Trident HYDRO is super-easy to handle. The active brushing action and the PowerStream Mobility System ensure efficient pool coverage, with extra-thorough scrubbing on all surfaces – leaving the floor, walls and waterline spotlessly clean.

Waterco's Trident HYDRO PLUS Robotic Pool Cleaner features a range of intelligent features that are not only designed to do all the work but also do it quickly and efficiently

Advanced scanning software ensures floor and walls are fully covered using the most efficient route, with the Trident HYDRO PLUS automatically navigating around obstacles before quickly returning to its cleaning pattern. It also features a multi-level filter that simultaneously separates and filters rough, fine and ultra-fine dirt, for highly efficient, clog-free filtration.

Key features of the Trident HYDRO Robotic Pool Cleaner:

- Lightweight and easy to handle
- 2 hour cycle time
- Designed for pools up to 10m in length, with 15m power cable length
- Active brush rotates at twice the speed of the motor, resulting in enhanced cleaning
- Complete coverage of all pool surfaces with PowerStream mobility system
- Multi-level, clog-free filter snaps apart for super easy cleaning
- Easy-clean Ultra-Fine filter basket
- Designed for fast fixes and easy repair
- Product weight 7.2kg
- 2-year warranty (limited\*)

\* 2-year warranty covers the motor unit, cable, and power supply of your Trident Hydro Robotic Pool Cleaner and all other parts for a period of 12-months from the date of purchase.



- Effortless operation**
- Top-access filtration system – easy to remove and clean.
  - Lightweight and easy to handle.
  - Fast, debris-free water release.
- Crystal-clear cleaning results**
- Active brushing action, scrub away algae and bacteria.
  - Effective, easy-to-use fine filtration system.
  - Efficient dirt collection - collects fine and rough debris.

## TRIDENT ECO

Specially designed to save water, lower energy bills and reduce chemical costs, the Trident ECO robotic pool cleaner is considered one of the most economically efficient cleaners on the market. Compact in design and lightweight in size, it's superior cleaning efficiency means you no longer have to manually clean your pool.

Software controlled and guided so it can achieve maximum pool coverage, the Trident ECO learns the layout of your pool each time it is run through its cleaning cycle. Using sophisticated algorithms, it is able to maneuver around tricky areas so that you don't have to remove and redirect it during its cleaning cycle.

Key features of the Trident ECO Robotic Pool Cleaner:

- Designed for pools up to 8m in length, with 12m power cable length
- Programmable cycle time is 1.5 hours
- Lightweight makes it easy to handle and remove from the pool
- Active brushing action that scrubs away algae and bacteria
- Efficient dirt and debris collection on every surface of the pool
- Top access filtration system that is easy to remove and clean
- Quick water release that also prevents dirt escaping back into the pool
- Software controlled and guided so it can achieve maximum pool coverage
- Sophisticated algorithms help it maneuver around tricky areas
- Product weight 6.3kg
- 2-year warranty (limited\*)

\* 2 Year warranty covers the motor unit, cable, and power supply of your Trident ECO robotic pool cleaner and all other parts for a period of 12-months from the date of purchase.

## TRIDENT ROBOTIC POOL CLEANERS

Part Number	Product Description	NZ List Price	Retail Inc GST
326395	Trident HYDRO	2,350.00	2,702.50
326394	Trident ECO	1,250.00	1,437.50

# Pool Accessories



## TRIDENT ULTRA

Trident ULTRA robotic pool cleaner harnesses Artificial Intelligence (AI) to lower maintenance time, electricity costs and water consumption.

The Trident ULTRA reduces pool cleaning to a two-step process with state-of-the-art software and smartphone touch-screen control. “All you need to do is drop it in the pool and push a button.”

Trident ULTRA’s sophisticated microprocessor technology works in conjunction with smart sensors to thoroughly clean the pool, regardless of its shape, size or surface type. AI traits also include enhanced navigation control and an obstacle escape mechanism that automatically manoeuvres unique design features – right from the first use.

“You can easily set up and operate the Trident ULTRA remotely simply by downloading the MyDolphin app to your smartphone. “This provides touch-screen control where you can schedule timers and choose cleaning modes.”

The Trident ULTRA also reduces pool equipment maintenance by trapping and containing debris within the self-contained unit before it reaches the pool filter. Reducing the need to flush out the pool’s filtration system, which means less water is required to top-up pool water and fewer chemicals are lost during the backwash process.

### Special features of Waterco’s Trident ULTRA Robotic Pool Cleaner include:

- MyDolphin smartphone app simplifies set-up and operation control
- Brush rotates at twice the speed of the robot, resulting in enhanced cleaning capabilities
- PowerStream Mobility System provides complete coverage of all surfaces
- Constant grip on vertical surfaces
- Multi-layer filtration separates dirt and debris for clog-free operation
- Effortless operation – smartphone app provides control in the palm of
- Lightweight, ergonomic design is easy to remove from the pool
- Full 2 Years



## DOLPHIN ULTIMATE

The Dolphin ULTIMATE an eco-conscious robotic cleaner that reduces water, energy and chemical consumption.

The cloud-controlled Dolphin ULTIMATE uses a fraction of the electricity consumed by similar pool cleaners while lowering chemical use with a patented multi-directional water flow control system called PowerStream.

“PowerStream mobility provides enhanced navigation and efficient cleaning of pool surfaces with a superior grip, particularly on vertical surfaces “This ensure the walls and waterline are cleaned just as effectively and efficiently as the pool floor.”

Engineered for maximum cleaning performance with minimum effort, the Dolphin ULTIMATE robotic pool cleaner contains a number of eco-friendly features, including:

- Water saving – reduced debris eases filter maintenance, cleaning and pool water refill
- Energy saving – uses a fraction of the energy consumed by other pool cleaning systems
- Chemical saving – enhanced circulation and less water use reduces chemical consumption

“This robotic cleaner is easy to use, from its cloud-connected hand-held remote to the handy pick-me-up mode, which automatically returns the cleaner to the waterline for easy removal “This eliminates the need to pull the cleaner out of the pool using the electrical cord.”

### Special features of the Dolphin ULTIMATE robotic pool cleaner include:

- Dual-drive and PowerStream system provides powerful performance, optimal manoeuvrability and waterline cleaning
- Fast, debris free water release for easy removal from pool
- Lightweight construction is easy to lift and handle
- Large capacity multi-layer filter efficiently removes fine and large debris
- Swivel feature prevents cable twisting and tangling during operation
- Pick-me-up mode rises and stops at the waterline for easy removal from the pool
- Full 3 Year

## TRIDENT ROBOTIC POOL CLEANERS

Part Number	Product Description	NZ List Price	Retail Inc GST
326399	Trident ULTRA	2,950.00	3,392.50
326402	Maytronics M600 Ultimate	3,400.00	3,910.00

# Handover Equipment and Accessories



## PRO SERIES CLEANING ACCESSORIES

Curved corners, steep walls, smooth surfaces and underwater steps - Waterco's PRO Pool Care Tools make it quick and easy to maintain healthy, happy swimming pool water.

## AQUA FINGER® MULTI-PURPOSE SMOOTH SURFACE BROOM

Introducing the first broom specially designed for fibreglass, tiled and vinyl lined pools. Engineered for service professionals and available to pool owners who are looking for quality equipment built to last, Aqua Fingers® features a high-density microfibre attachment that makes cleaning smooth surface pools easier and quicker.

The multi-purpose Aqua Fingers® microfibre broom includes a flexible body and curved underbelly that ensures no nooks or crannies are missed. This provides more angles of operation, making it quicker and easier to clean your pool.

- Premium microfibre chenille attachment is gentle on smooth surfaces
- Flexible head easily dislodges particles from tight areas
- Ideal for cleaning fibreglass, tiled and vinyl lined pools
- Suitable for cleaning glass fences, windows, pool covers and pool coping
- Replacement chenille attachment available



## PRO BRUSH VACUUM HEAD

Cleaning leaves and debris off the pool floor is easy with this streamlined design that manoeuvres freely, dislodging particles from tight areas and hard-to-reach places.

- Suitable for all pools



## PRO FLEXIBLE VACUUM HEAD

Weighted for optimum hydraulic balance and manufactured from flexible ethylene-vinyl acetate (EVA) materials, this hard-wearing vacuum head makes it easier to clean curved corners, ridges, crevices and steps.

- Suitable for all pools



## PRO POOL BROOM

Designed for dislodging algae and dirt from pool walls, the broom's curved ends and long-life nylon bristles make it easier to clean pool curves and corners.

- Suitable for all pools including vinyl lined pools



## PRO SERIES CLEANING ACCESSORIES

Part Number	Product Description	Carton Qty	NZ List Price	Retail Inc GST
313054	Brush Vacuum Head Pro	12	55.00	63.25
31313	Flexible Vacuum Head Pro	12	30.50	35.08
31329	Pool Broom Pro	12	45.00	51.75

# Pool Accessories



## PRO LEAF RAKE

Ideal for picking up dirt and debris from the surface and the floor of the pool. The rake's leading-edge lifts debris up the flicks it into the net.

- Suitable for all pools
- Can also be used to clean surface debris from water features and ponds



## PRO ALGAE BRUSH

Sturdy nylon bristles break open the hard membranes of stubborn "Black Spot" algae, which needs to be broken for algaecides to work.

- Suitable for all hard pool surfaces
- Not recommended for vinyl, fiberglass or painted pool surfaces



## ALGAE BROOM PRO BLUE BRISTLE - LARGE

Algae Brush Designed to cut open the hard membranes of "Black Spot" algae so that an algaecide can effectively kill the algae. Large design to take on the largest Pool Algae problems.

- Available in two sizes 143mm and wide 450mm bristle head

## PRO SERIES CLEANING ACCESSORIES

Part Number	Product Description	Carton Qty	NZ List Price	Retail Inc GST
3132320	Leaf Rake Pro	12	49.30	56.70
31308	Algae Brush Pro Blue Bristle	12	31.80	36.57
313291	Algae Broom Pro Blue Bristle - large	12	50.10	57.62
3131520	Leaf Skimmer Pro	12	-	-

# Test Kits



## WATERCO TEST KITS

The test kits utilise the latest in tablet test technology using quick dissolving DPD Chlorine test tablets for accurate results.



## STARVER TEST KITS

The kit comprises of two liquid reagents to test for phosphate levels in swimming pools.

- Easy to use
- Use liquid reagents

## TEST KITS

Part Number	Product Description	NZ List Price	Retail Inc GST
31405	Waterco 2 in 1 test kit DPD - pH, Total or Free Chlorine	26.30	30.25
31410	Waterco 4 in 1 test kit DPD - pH, Alk, Chlor, Hard	46.20	53.13

## TEST STRIPS

Part Number	Product Description	NZ List Price	Retail Inc GST
31420	Starver Test Kit	29.40	33.81



## SAFE T SUCTION

Part Number	Product Description	Ref page	NZ List Price	Retail Inc GST
2925100	Safe T Suction Comp Grey & Conn	-	293.00	336.95
6245120	Concrete Adaptor Housing & Lid Complete		95.50	109.83

## US SWIMJETS WHITE FACE 40MM

Part Number	Product Description	Ref page	NZ List Price	Retail Inc GST
45541	Waterco Swimjets - 40mm concrete & Fibreglass White	121	157.00	180.55
45542	Waterco Swimjets - 40mm concrete & Fibreglass Grey	-	157.00	180.55
45539	Waterco Swimket System - 2.0HP includes: 453497 - Suction 50m S/F x 4 45541 - US Swimjet x 2 244200 - Hydrostorm 200 x 2	-	3,350.00	3,852.50
45540	Waterco Swimket System - 2.5HP includes: 453497 - Suction 50m S/F x 4 45541 - US Swimjet x 2 2405250 - Hydrostorm Plus 250 x 2	-	3,700.00	4,255.00
455405	Waterco SwimJet System - 2.5HP (White & Fibreglass) includes: 453499 - Suction (threaded) 50m S/F x 4 45541 - US Swimjet x 2 2405250 - Hydrostorm Plus 250 x 2	-	3,700.00	4,255.00
445406	Waterco SwimJet System - 2.0HP - Fibreglass Pools - White includes: 453499 - White Threaded Suction 50m S/F x 4 45541 - White US Swimjet x 2 244200 - Hydrostorm 200 x 2		3,300.00	3,795.00
445407	Waterco SwimJet System - 2.5HP - Fibreglass Pools - White includes: 453499 - White Threaded Suction 50m S/F x 4 45541 - White US Swimjet x 2 2405250 - Hydrostorm Plus 250 x 2		3,700.00	4,255.00
455408	<b>US SWIMJETS GREY FACE</b> Waterco SwimJet System - 2.0HP - Fibreglass Pools - Grey includes: 4534991 - Grey Threaded Suction 50m S/F x 4 45542 - Grey US Swimjet x 2 244200 - Hydrostorm 200 x 2		3,300.00	3,795.00
455409	Waterco SwimJet System - 2.5HP - Fibreglass Pools - Grey includes: 4534991 - Grey Threaded Suction 50m S/F x 4 45542 - Grey US Swimjet x 2 2405250 - Hydrostorm Plus 250 x 2		3,700.00	4,255.00



## SWIMJETS OLD FAITHFUL

Part Number	Product Description	Ref page	NZ List Price	Retail Inc GST
455423	Jet Straight Body Concrete + 20mm pipe	124	129.00	148.35
455422	Jet Straight Body Fibreglass	124	129.00	148.35
455425	Jet Straight Body Fibreglass Grey	124	129.00	148.35
455403	SwimJet Old Faithful System - 3.0HP (Fibreglass) c/w Air Switch includes: 2462300 - TURBOFLO PUMP 300 x 2 453499 - Suction (threaded) 50m S/F x 4 ASF242 - AIR INJECTOR S/T CONC WHITE x 4 455422 - JET STRAIGHT BODY 662L/M White - Fibreglass x 2 ASF14115 - AIR SWITHC. SINGLE WITH TUBE 15 AMP x 2		4,600.00	5,290.00
455404	SwimJet Old Faithful System - 3.0HP (Fibreglass) includes: 2462300 - TURBOFLO PUMP 300 x 2 455422 - JET STRAIGHT BODY 662L/M White - Fibreglass x 2 453499 - Suction (threaded) 50m S/F x 4		3,300.00	3,795.00

## SKIMMER BOX COMPLETE PARAMOUNT SP5000 (With Lid & Ring)

Part Number	Product Description	Ref page	Carton Qty	Nominal Size	NZ List Price	Retail Inc GST
<b>Standard Throat</b>						
<b>White</b>						
ASM002	Paramount SP5000 Box white Standard Throat Includes Beige Lid & Round Ring 6241085	125	Beige Round	Concrete	295.00	339.25
ASM003	Paramount SP5000 Box white Standard Throat with Escutchen Kit (No Gasket) Includes Beige Lid & Round Ring 6241085	125	Beige Round	F/glass	355.00	408.25
ASM0030	Paramount SP5000 Box white Standard Throat with Escutchen Kit (No Gasket) Includes Grey Lid & Square Ring 624108	125	Grey Square	F/glass	355.00	408.25
ASM022	Paramount SP5000 Box white Standard Throat with Escutchen Kit (No Gasket) Includes Beige Lid & Square Ring 624109	125	Beige Square	F/glass	355.00	408.25
<b>Grey</b>						
ASM019	Paramount SP5000 Box Grey Standard Throat with Escutchen Kit (No Gasket) Includes Grey Lid & Square Ring 624108	125	Grey Square	F/glass	330.00	379.50



## SKIMMER BOX COMPLETE PARAMOUNT SP5000 (With Lid & Ring)

Part Number	Product Description	Carton Qty	Nominal Size	NZ List Price	Retail Inc GST	
<b>Extended Throat</b>						
<b>White</b>						
ASM004	Paramount SP5000 Box white Extended Throat with Escutchen Kit (With Gasket) Includes Beige Lid & Round Ring 6241085		Beige Round	F/glass	395.00	454.25
ASM005	Paramount SP5000 Box white Extended Throat with Escutchen Kit (No Gasket) Includes Beige Lid & Round Ring 6241085		Beige Round	F/glass	395.00	454.25
ASM010	Paramount SP5000 Box white Extended Throat with Escutchen Kit (No Gasket) Includes Beige Lid & Square Ring 624109		Beige Square	F/glass	395.00	454.25
ASM0010	Paramount SP5000 Box white Extended Throat with Escutchen Kit (No Gasket) Include White Extension Ring Includes Beige Lid & Square Ring 624109		Beige Square	F/glass	405.00	465.75
<b>Grey</b>						
ASM030	Paramount SP5000 Box White Extended Throat with Escutchen Kit (No Gasket) Includes Grey Lid & Square Ring 624108		Grey Square	F/glass	395.00	454.25
ASM011	Paramount SP5000 Box Grey Extended Throat with Escutchen Kit (No Gasket) Includes Grey Lid & Square Ring 624108		Grey Square	F/glass	395.00	454.25
ASM012	Paramount SP5000 Box Grey Extended Throat with Escutchen Kit (No Gasket) Includes Beige Lid & Square Ring 624109		Beige Square	F/glass	395.00	454.25
ASM0011	Paramount SP5000 Box Grey Extended Throat with Escutchen Kit (No Gasket) Include Grey Extension Ring Includes Grey Lid & Square Ring 624108		Grey Square	F/glass	405.00	465.75
ASM0012	Paramount SP5000 Box Grey Extended Throat with Escutchen Kit (No Gasket) Include Grey Extension Ring Includes Beige Lid & Square Ring 624109		Beige Square	F/glass	405.00	465.75



## SKIMMER BOX BODY ONLY PARAMOUNT SP5000 (Without Lid Or Ring)

Part Number	Product Description	Nominal Size	NZ List Price	Retail Inc GST
<b>Standard Throat</b>				
<b>White</b>				
624012	Paramount SP5000 Box white Standard Throat	Concrete	244.00	280.60
624013	Paramount SP5000 Box white Standard Throat with Escutchen Kit (No Gasket)	F/glass	310.00	356.50
<b>Grey</b>				
624019	Paramount SP5000 Box Grey Standard Throat with Escutchen Kit (No Gasket)	F/glass	289.00	332.35
<b>Extended Throat</b>				
<b>White</b>				
624010	Paramount SP5000 Box white Extended Throat with Escutchen Kit (No Gasket) Include White Extension Ring	F/glass	345.00	396.75
624014	Paramount SP5000 Box white Extended Throat with Escutchen Kit (With Gasket)	F/glass	345.00	396.75
624015	Paramount SP5000 Box white Extended Throat with Escutchen Kit (No Gasket)	F/glass	345.00	396.75
624017	Paramount SP5000 Box white Extended Throat with White Extension ring	F/glass	310.00	356.50
<b>Grey</b>				
624011	Paramount SP5000 Box Grey Extended Throat with Escutchen Kit (No Gasket)	F/glass	345.00	396.75
624016	Paramount SP5000 Box Grey Extended Throat with Escutchen Kit (No Gasket) Include Grey Extension Ring	F/glass	345.00	396.75



## SKIMMER BOX PARAMOUNT SP5000 LID & RING

Part Number	Product Description	Carton Qty	NZ List Price	Retail Inc GST
624108	Grey Square Includes 6241082 Lid + 6241081 Ring	Grey Square	142.00	163.30
624109	Beige Square Includes 6241092 Lid + 6241091 Ring	Beige Square	142.00	163.30
6241084	Grey Round Includes 6241082 Lid + 6241083 Ring	Grey Round	136.00	156.40
6241085	Beige Round Includes AXSM075 Lid + AXSM073 Ring	Beige Round	125.00	143.75

## SKIMMER BOX S75 COMPLETE (With Lid & Ring)

Part Number	Product Description	Ref page	Carton Qty	Nominal Size	NZ List Price	Retail Inc GST
<b>White</b>						
29251	Skimmer Box S75C MK2 white Standard Throat Includes Beige Lid & Round Ring 6241800	126	Beige Round	Concrete	365.00	419.75
29252	Skimmer Box S75C MK2 white Standard Throat Includes Grey Lid & Round Ring 6241700		Grey Round	Concrete	365.00	419.75
29253	Skimmer Box S75C MK2 white Standard Throat Includes Beige Lid & Square Ring 6241801	126	Beige Square	Concrete	365.00	419.75
292532	Skimmer Box S75C MK2 white Standard Throat Includes Grey Lid & Square Ring 6241701	126	Grey Square	Concrete	365.00	419.75
<b>Grey</b>						
292510	Skimmer Box S75C MK2 Grey Standard Throat Includes Grey Lid & Round Ring 6241700	126	Grey Round	Concrete	365.00	419.75
292530	Skimmer Box S75C MK2 Grey Standard Throat Includes Grey Lid & Square Ring 6241701	126	Grey Square	Concrete	365.00	419.75
<b>White</b>						
29256	Skimmer Box S75C MK2 white Standard Throat with Escutchen Kit (With Gasket) Includes Beige Lid & Round Ring 6241800	126	Beige Round	F/glass	415.00	477.25
29257	Skimmer Box S75C MK2 white Standard Throat with Escutchen Kit (With Gasket) Includes Beige Lid & Square Ring 6241801	126	Beige Square	F/glass	415.00	477.25







## SKIMMER BOX S75 BODY ONLY (Without Lid Or Ring)

Part Number	Product Description	Ref page	Nominal Size	NZ List Price	Retail Inc GST
<b>White</b>					
624051	Skimmer Box S75C MK2 white Standard Throat	-	Concrete	300.00	345.00
624056	Skimmer Box S75C MK2 white Standard Throat with Escutchen Kit (With Gasket)	-	F/glass	345.00	396.75
<b>Grey</b>					
624052	Skimmer Box S75C MK2 Grey Standard Throat	-	Concrete	300.00	345.00



## SUPA SKIMMER BOX COMPLETE (With Lid & Ring)

Part Number	Product Description	Ref page	Carton Qty	Nominal Size	NZ List Price	Retail Inc GST
<b>White body</b>						
29201	Supa Skimmer Box white Standard Throat Includes Beige Lid & Round Ring 6241800	127	Beige Round	Concrete	445.00	511.75
29206	Supa Skimmer Box white Standard Throat Includes Beige Lid & Square Ring 6241801	127	Beige Square	Concrete	445.00	511.75
29205	Supa Skimmer Box white Standard Throat Includes Beige Lid & Round Ring 6241800	127	Beige Round	F/glass	490.00	563.50
29208	Supa Skimmer Box white Standard Throat Includes Beige Lid & Square Ring 6241801	127	Beige Square	F/glass	490.00	563.50
29210	Supa Skimmer Wide Mouth White Includes Beige Lid & Square Ring 6241800	127	Beige Square	Concrete	580.00	667.00
<b>Grey</b>						
292010	Supa Skimmer Box Grey Standard Throat Includes Grey Lid & Round Ring 6241700	127	Grey Round	Concrete	445.00	511.75
292061	Supa Skimmer Box Grey Standard Throat Includes Grey Lid & Square Ring 6241701	127	Grey Square	Concrete	445.00	511.75



## SUPA SKIMMER BOX BODY ONLY (Without Lid Or Ring)

Part Number	Product Description	Ref page	Nominal Size	NZ List Price	Retail Inc GST
624060	Supa Skimmer Box white Standard Throat Body only	-	Concrete	375.00	431.25
624062	Supa Skimmer Wide Mouth White Body only	-	Concrete	510.00	586.50
624065	Supa Skimmer Box white Standard Throat Body only	-	F/glass	430.00	494.50
624061	Supa Skimmer Box Grey Standard Throat Body only	-	Concrete	375.00	431.25



## SKIMMER BOX S75 & SUPA SKIMMER BOX LID & RING

Part Number	Product Description	Ref page		NZ List Price	Retail Inc GST
6241700	Grey Round Includes 624173 Lid + 6241920 Ring	-	Grey Round	171.00	196.65
6241701	Grey Square Includes 624173 Lid + 624182 Ring	-	Grey Square	171.00	196.65
6241800	Beige Round Includes 624171S Lid + 624191S Ring	-	Beige Round	171.00	196.65
6241801	Beige Square Includes 624171S Lid + 624181S Ring	-	Beige Square	171.00	196.65

## SKIMMER ACCESSORIES



Part Number	Product Description	Ref page		NZ List Price	Retail Inc GST
624170	Supaskimmer/S75 construction kit	-	White	26.90	30.94
624392	Skimmer S75 Dress Strip	-	White	4.70	5.41
624393	Skimmer S75 Dress Strip	-	Grey	4.70	5.41
62421	Skimmer Lintel	-	Concrete	45.30	52.10
624105	Skimmer Extension Ring S75, Supa Skimmer, Auto Leveller	128	White	22.90	26.34
6241050	Skimmer Extension Ring S75, Supa Skimmer, Auto Leveller	128	Grey	20.60	23.69
62408	Vac Plat P1106 o/d 273mm	-		108.00	124.20
624103	Skimmer Extension Ring SP5000 Paramount	128	White	20.70	23.81
624104	Skimmer Extension Ring Grey SP5000 Paramount	128	Grey	20.60	23.69
6340020	Nut & Bolt Kit (Multi Pack M6)	-		11.40	13.11
624080	Vac Plate o/d 271.8mm	-		92.50	106.38
292600	Supaskimmer/S75 Escutcheon Kit Assy	-	Grey	70.00	80.50
AXSM0300	SP5000 escutcheon Kit Assy	-	Grey	59.00	67.85
AXSM030	SP5000 escutcheon Kit Assy	-	White	54.50	62.68



## AUTO WATER LEVELLER

Part Number	Product Description	Ref page		NZ List Price	Retail Inc GST
29319	Auto Water Leveller MK2	125		445.00	511.75

## MAIN DRAINS



Part Number	Product Description	Ref page	Nominal Size	NZ List Price	Retail Inc GST
293002	Waterco Main Drain - grey c/w valve and stem	129	Grey	127.00	146.05
29300	Waterco Main Drain - white c/w valve and stem	129	White	127.00	146.05
293000	Waterco Main Drain - white c/w valve and stem [Certified AS1926.3]	129	White	127.00	146.05
293001	Waterco Main Drain - grey c/w valve and stem [Certified AS1926.3]	129	Grey	116.00	133.40
29301	Body	-	50mm	54.00	62.10
29302	Hydrostatic Valve 50mm	-		30.70	35.31
293020	Hydrostatic Valve	-	Grey	28.70	33.01
29304	Main Drain Stem	-		14.70	16.91
293030	Cover & Dress Ring (grey)	-	Grey	44.20	50.83
29303	Cover & Dress Ring (white)	-	White	46.40	53.36
293033	Cover & Dress Ring (MKII)	-		44.50	51.18
29316	Hydro Grease Plug	-		71.50	82.23

## HYDRO GREASE PLUG



Part Number	Product Description	Ref page	Nominal Size	NZ List Price	Retail Inc GST
29317	Hydro Grease Plug Lid only	-		52.00	59.80
29314	Lid for grease plate	-		52.00	59.80

## FLOOR INLET



Part Number	Product Description	Ref page	Nominal Size	NZ List Price	Retail Inc GST
291701	Floor Inlet - Adjustable	-	40mm x 50mm	52.50	60.38
2917013	Floor Inlet - Repair Kit	-		26.00	29.90
29315	Grease Plate - body only	-		69.50	79.93



## HYDROSTATIC VALVE FIBREGLASS

Part Number	Product Description	Ref page		Nominal Size	NZ List Price	Retail Inc GST
293100	Hydrostatic Valve White	130	White	F/glass	60.00	69.00
293101	Hydrostatic Valve Grey	130	Grey	F/glass	60.00	69.00
293102	Waterco Fibreglass Pool Hydrostatic Valve Tool	-			10.70	12.31
293103	Hydrostatic Valve Adapter White	130	White	F/glass	58.50	67.28
293104	Hydrostatic Valve Adapter Grey	130	Grey	F/glass	58.50	67.28



## FLUSH DECK GRATING

Part Number	Product Description	Ref page	\$ per metre	Nominal Size	NZ List Price	Retail Inc GST
900302W	Flush Deck Grating c/w wave pattern with Waterco logo (41 per metre - \$188.60+)	130	213.20	301mm wide	6.70	7.71
900303W	Flush Deck Grating c/w wave pattern with Waterco logo (41 per metre - \$168.10+)	130	192.70	250mm wide	6.10	7.02
900304	Flush Deck Grating - Plain without logo (41 per metre)	130	213.20	301mm plain	6.70	7.71
900305	Flush Deck Grating - Plain without logo (41 per metre - \$168.10+)	130	192.70	250mm plain	6.10	7.02



## SUCTIONS CONCRETE - Certified to AS1926.3

Part Number	Product Description	Ref page	Carton Qty	Nominal Size	NZ List Price	Retail Inc GST
4534962	Waterco Slip Fit Clear	131	45	40mm	25.80	29.67
4534972	Waterco Slip Fit Clear	131	45	50mm	37.90	43.59
4534961	Waterco Slip Fit Grey	131	45	40mm	25.80	29.67
4534971	Waterco Slip Fit Grey	131	45	50mm	37.90	43.59
453496	Waterco Slip Fit White	131	45	40mm	25.80	29.67
453497	Waterco Slip Fit White	131	45	50mm	37.90	43.59
453494	Waterco Slip Fit Black	131	45	40mm	25.80	29.67
4534970	Waterco Slip Fit Black	131	45	50mm	37.90	43.59



## SUCTIONS FIBREGLASS - Certified to AS1926.3

Part Number	Product Description	Ref page	Carton Qty	Nominal Size	NZ List Price	Retail Inc GST
4534982	Waterco Threaded Clear with Nut	-	30	40mm	43.60	50.14
4534992	Waterco Threaded Clear with Nut	-	30	50mm	46.40	53.36
4534980	Waterco Threaded Black with Nut	-	72	40mm	43.60	50.14
ASF500	Waterco Threaded Black with Nut	-	72	40mm	15.40	17.71
ASP211	Waterco Threaded Grey with Nut	-	60	40mm	16.60	19.09
4534980	Waterco Threaded Black with Nut	-	30	40mm	43.60	50.14
4534990	Waterco Threaded Black with Nut	-	30	50mm	46.70	53.71
4534981	Waterco Threaded Grey with Nut	-	30	40mm	43.60	50.14
4534991	Waterco Threaded Grey with Nut	-	30	50mm	46.40	53.36
453498	Waterco Threaded White with Nut	-	30	40mm	43.60	50.14
453499	Waterco Threaded White with Nut	-	30	50mm	46.40	53.36

## EYEBALLS - Concrete



Part Number	Product Description	Ref page	Carton Qty	Nominal Size	NZ List Price	Retail Inc GST
29103	Multi Directional Eyeball (Clear) (Slipfit for Concrete Pools)	131		CL9/40mm	15.40	17.71
29153	Multi Directional Eyeball (Clear)	131		CL9/50mm	16.60	19.09
29108	Multi Directional Eyeball (Grey)	131		CL9/40mm	13.70	15.76
291500	Multi Directional Eyeball (Grey)	131	150	CL9/50mm	14.70	16.91
29101	Multi Directional Eyeball (white) (Slipfit for Concrete Pools)	131	400	CL9/40mm	16.60	19.09
29102	Multi Directional Eyeball (brown) (Slipfit for Concrete Pools)	131		CL9/40mm	15.40	17.71
29104	Multi Directional Eyeball (black) (Slipfit for Concrete Pools)	131		CL9/40mm	15.40	17.71
29150	Eyeball White 50mm Slip Fit	131		50mm	16.60	19.09

## EYEBALLS - Fibreglass / Vinyl



Part Number	Product Description	Ref page	Nominal Size	NZ List Price	Retail Inc GST
29120	Eyeball Assy & Housing - Brick/Vinyl (Requires 2 x 29106)	131		67.00	77.05
29121	Vinyl Eyeball Replacement Kit - 2 gaskets, plates & screws	131	40mm	30.30	34.85
29122	Vinyl Eyeball only	-		18.50	21.28
29123	Vinyl Eyeball Housing only	-		15.40	17.71
29106	Eyeball - (Thread with back nut)	131	40mm	21.30	24.50
459201	Gasket to suit 29106 Eyeball (Requires 2)	-		3.80	4.37
291064	Fibreglass Pool Adjustable Eyeball 40mm Clear	131		23.60	27.14
291062	Fibreglass Pool Adjustable Eyeball 40mm White	131		23.60	27.14
291063	Fibreglass Pool Adjustable Eyeball 40mm Grey	131		23.60	27.14
291503	Fibreglass Pool Adjustable Eyeball 50mm Clear	131		26.60	30.59
291501	Fibreglass Pool Adjustable Eyeball 50mm White	131		26.60	30.59
291502	Fibreglass Pool Adjustable Eyeball 50mm Grey	131		26.60	30.59

## SKIMTROL - SKIMMING CONTROL VACUUM PLATE



Part Number	Product Description	Ref page	Ø	NZ List Price	Retail Inc GST
32717	S75 & S/Skimmer Vacplate & Skimtrol (fits 3 & 4 lug) White	132	260	97.50	112.13
32718	S75 & S/Skimmer Vacplate & Skimtrol (fits 3 & 4 lug) Grey	132	260	97.50	112.13
32701	Waterco old style		245 x 230	97.50	112.13
32702	Nally/Fulflo		245 x 215	97.50	112.13
32703	Poolrite (Old style)		230	97.50	112.13
32704	Quiptron		245	97.50	112.13
32705	Filtrite 950		215 x 190	97.50	112.13
32706	Filtrite 900		225 x 210	97.50	112.13
32707	Clark/Swimquip		215	97.50	112.13
32708	Baker Hydro/Purex (Also suits Poolrite)		225	97.50	112.13
32709	Paramount SP5000		210	97.50	112.13
32710	Special 190mm		190	97.50	112.13
32715	SP5000 Skimtrol MKII - lock down White	132	210	97.50	112.13
32716	SP5000 Skimtrol MKII - lock down Grey	132	211	97.50	112.13

# Waterco Recirculation Accessories



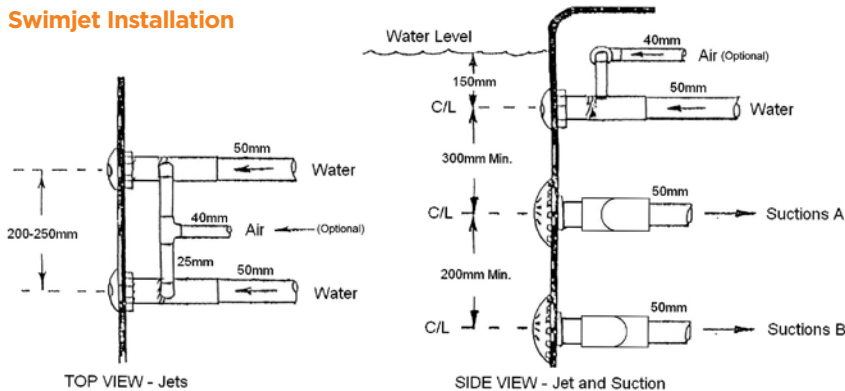
## WATERCO SWIMJETS

Waterco Swimjets are high performing jets, designed to create an endless resistant current to swim against. Waterco Swimjets are a flush mounted jet propulsion system capable of creating a current up to 340L per minute.

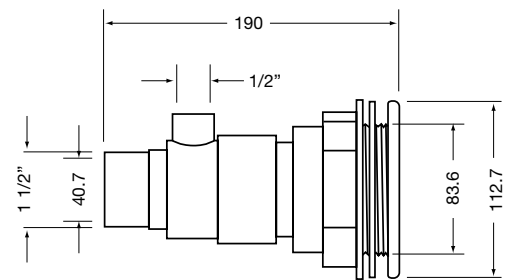
### Specifications

Material White PVC/ABS	Swimjet Nozzle	Output	Hole Size	Clearance	Installation
	1"	340lpm @ 100kPa	84mm	165mm behind tub wall	Requires 114mm flat area

### Swimjet Installation



### Dimension



## US SWIMJETS WHITE FACE 40MM

Part Number	Product Description	NZ List Price	Retail Inc GST
45541	Waterco Swimjets - 40mm concrete & Fibreglass White	157.00	180.55
45542	Waterco Swimjets - 40mm concrete & Fibreglass Grey	157.00	180.55
45539	Waterco Swimket System - 2.0HP includes: 453497 - Suction 50m S/F x 4 45541 - US Swimjet x 2 244200 - Hydrostorm 200 x 2	3,350.00	3,852.50
45540	Waterco Swimket System - 2.5HP includes: 453497 - Suction 50m S/F x 4 45541 - US Swimjet x 2 2405250 - Hydrostorm Plus 250 x 2	3,700.00	4,255.00



## SWIMJETS OLD FAITHFUL

Waterco Swimjets are high performing jets, designed to create an endless resistant current to swim against. Waterco Swimjets are a flush mounted jet propulsion system capable of creating a current up to 660L per minute.

- 2" (50mm) socket for high water volume
- 1/2" (12mm) socket for high air input
- Available for fibreglass and concrete installations
- Available for either fibreglass with white or grey colours or concrete installations in white.

## SWIMJETS OLD FAITHFUL

Part Number	Product Description	NZ List Price	Retail Inc GST
455423	Jet Straight Body Concrete + 20mm pipe	129.00	148.35
455422	Jet Straight Body Fibreglass	129.00	148.35
455425	Jet Straight Body Fibreglass Grey	129.00	148.35

# Waterco Recirculation Accessories



ASM002



ASM003

## SKIMMER BOX COMPLETE PARAMOUNT SP5000

The SP5000 skimmer is a general purpose skimmer which can be used in concrete, fibreglass and above ground pool installations.

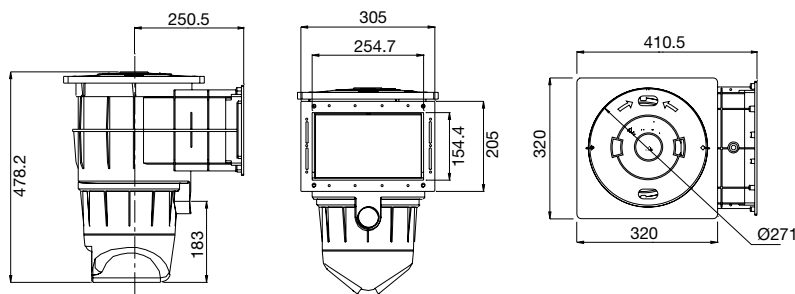
The SP5000 is sized to minimise excavation and reduce concrete and steel requirements, whilst maintaining an optimum skimming action. A horizontal 50mm suction take-off reduces the suction lift demands on the pump, saving energy.

### Specifications

Model	Max. Surface Area	Max Flow Rate	Suction Pipe	Opening	Basket Capacity	Total Height	Total Depth	Unit Weight
		(lpm)	(mm)	(mm)	(L)	(mm)	(mm)	(kg)
SP5000	75m <sup>2</sup>	375	50	255x155	2.6	478.2	385	5

Note: Applicable for both products.

### Dimension



Note: All Waterco Skimmer boxes comply with Australian Standards for Pool & Spa Skimmer boxes, AS1926.3-2010.

## SKIMMER BOX COMPLETE PARAMOUNT SP5000 (With Lid & Ring)

Part Number	Product Description	Carton Qty	Nominal Size	NZ List Price	Retail Inc GST
<b>Standard Throat</b>					
<b>White</b>					
ASM002	Paramount SP5000 Box white Standard Throat Includes Beige Lid & Round Ring 6241085	Beige Round	Concrete	295.00	339.25
ASM003	Paramount SP5000 Box white Standard Throat with Escutchen Kit (No Gasket) Includes Beige Lid & Round Ring 6241085	Beige Round	F/glass	355.00	408.25
ASM0030	Paramount SP5000 Box white Standard Throat with Escutchen Kit (No Gasket) Includes Grey Lid & Square Ring 624108	Grey Square	F/glass	355.00	408.25
ASM022	Paramount SP5000 Box white Standard Throat with Escutchen Kit (No Gasket) Includes Beige Lid & Square Ring 624109	Beige Square	F/glass	355.00	408.25
<b>Grey</b>					
ASM019	Paramount SP5000 Box Grey Standard Throat with Escutchen Kit (No Gasket) Includes Grey Lid & Square Ring 624108	Grey Square	F/glass	330.00	379.50



## LOCKABLE SKIMMER LID

Waterco stocks a comprehensive range of skimmer boxes for concrete and fibreglass pools, available in a variety of configurations and colours. All of Waterco's skimmer boxes comply with the latest Australian Standards for Pool & Spa Skimmer boxes is AS1926.3-2010.

Waterco skimmer box goes one step further by providing a child proof dual locking skimmer lid. The lid can be locked by the sliding latch mechanism or by via two securing screws, ensuring the utmost in child safety.

# Waterco Recirculation Accessories



## SKIMMER BOX S75 COMPLETE

The S75 skimmer is a general purpose skimmer which can be used in concrete, fibreglass and above ground pool installations.

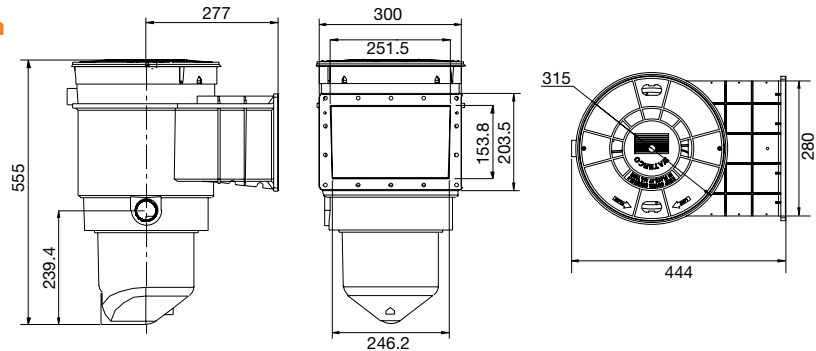
It has a built in overflow drain port to assist the prevention of flooding, during heavy rain. A horizontal 50mm suction take-off reduces the suction lift demands on the pump, saving energy.

- Lock down leaf basket and vacuum plate - holds the leaf basket and vacuum plate firm
- Child safety lid lock down system - prevents child accidents
- Square and round deck lid configuration

### Specifications

Model	Max. Surface Area	Max Flow Rate	Suction Pipe	Opening	Basket Capacity	Total Height	Total Depth	Unit Weight
		(lpm)	(mm)	(mm)	(L)	(mm)	(mm)	(kg)
S75	75m <sup>2</sup>	375	50	247x152	2.4	520	440	6

### Dimension



Note: All Waterco Skimmer boxes comply with Australian Standards for Pool & Spa Skimmer boxes, AS1926.3-2010.

## SKIMMER BOX S75 COMPLETE (With Lid & Ring)

Part Number	Product Description	Carton Qty	Nominal Size	NZ List Price	Retail Inc GST
<b>White</b>					
29251	Skimmer Box S75C MK2 white Standard Throat Includes Beige Lid & Round Ring 6241800	Beige Round	Concrete	365.00	419.75
29252	Skimmer Box S75C MK2 white Standard Throat Includes Grey Lid & Round Ring 6241700	Grey Round	Concrete	365.00	419.75
29253	Skimmer Box S75C MK2 white Standard Throat Includes Beige Lid & Square Ring 6241801	Beige Square	Concrete	365.00	419.75
292532	Skimmer Box S75C MK2 white Standard Throat Includes Grey Lid & Square Ring 6241701	Grey Square	Concrete	365.00	419.75
<b>Grey</b>					
292510	Skimmer Box S75C MK2 Grey Standard Throat Includes Grey Lid & Round Ring 6241700	Grey Round	Concrete	365.00	419.75
292530	Skimmer Box S75C MK2 Grey Standard Throat Includes Grey Lid & Square Ring 6241701	Grey Square	Concrete	365.00	419.75
<b>White</b>					
29256	Skimmer Box S75C MK2 white Standard Throat with Escutchen Kit (With Gasket) Includes Beige Lid & Round Ring 6241800	Beige Round	F/glass	415.00	477.25
29257	Skimmer Box S75C MK2 white Standard Throat with Escutchen Kit (With Gasket) Includes Beige Lid & Square Ring 6241801	Beige Square	F/glass	415.00	477.25

# Waterco Recirculation Accessories



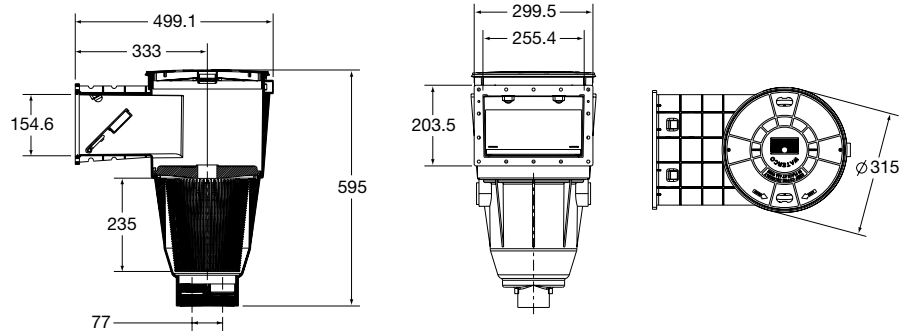
## SUPA SKIMMER BOX COMPLETE

The SupaSkimmer is a large capacity skimmer box which is ideal for use in large domestic, semi commercial and commercial swimming pools.

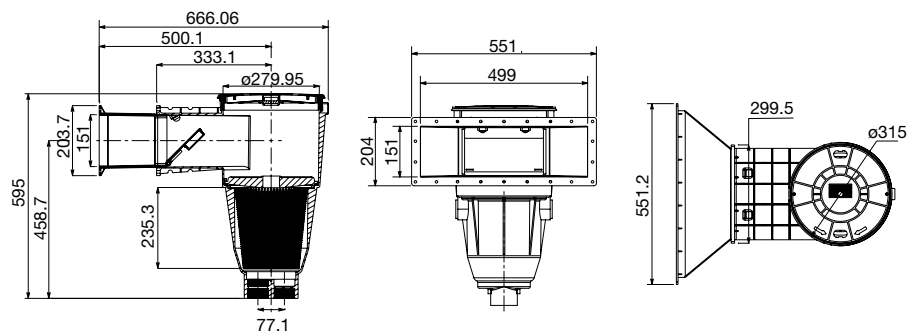
### Specifications

Model	Max. Surface Area	Max Flow Rate	Suction Pipe	Opening	Basket Capacity	Total Height	Total Depth	Unit Weight
		(lpm)	(mm)	(mm)	(L)	(mm)	(mm)	(kg)
Supaskimmer	75m <sup>2</sup>	375	2x50	247x152	5.9	580	500	7
Supaskimmer Widemouth	75m <sup>2</sup>	375	2x50	551x152	5.9	580	500	10

### SupaSkimmer



### SupaSkimmer Widemouth



Note: All Waterco Skimmer boxes comply with Australian Standards for Pool & Spa Skimmer boxes, AS1926.3-2010.

## SUPA SKIMMER BOX COMPLETE (With Lid & Ring)

Part Number	Product Description	Carton Qty	Nominal Size	NZ List Price	Retail Inc GST
<b>White body</b>					
29201	Supa Skimmer Box white Standard Throat Includes Beige Lid & Round Ring 6241800	Beige Round	Concrete	445.00	511.75
29206	Supa Skimmer Box white Standard Throat Includes Beige Lid & Square Ring 6241801	Beige Square	Concrete	445.00	511.75
29205	Supa Skimmer Box white Standard Throat Includes Beige Lid & Round Ring 6241800	Beige Round	F/glass	490.00	563.50
29208	Supa Skimmer Box white Standard Throat Includes Beige Lid & Square Ring 6241801	Beige Square	F/glass	490.00	563.50
29210	Supa skimmer Wide Mouth White Includes Beige Lid & Square Ring 6241800	Beige Square	Concrete	580.00	667.00
<b>Grey</b>					
292010	Supa Skimmer Box Grey Standard Throat Includes Grey Lid & Round Ring 6241700	Grey Round	Concrete	445.00	511.75
292061	Supa Skimmer Box Grey Standard Throat Includes Grey Lid & Square Ring 6241701	Grey Square	Concrete	445.00	511.75



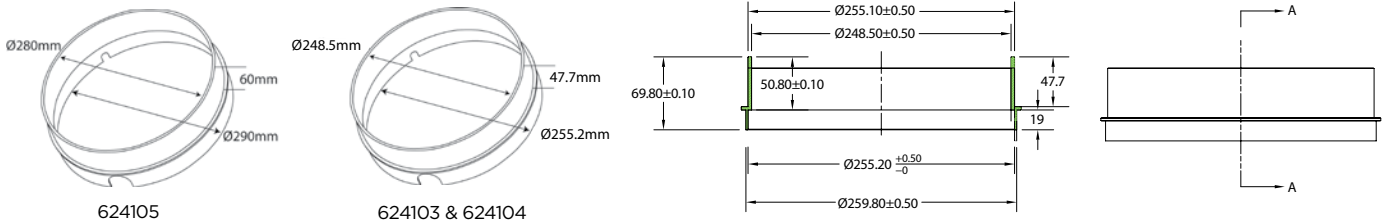
# Waterco Recirculation Accessories

## SKIMMER BOX EXTENSION RING



For trouble-free installation Waterco recommends using the 'Swimmer Box Extension Ring' (624105). If the skimmer is to be installed so that the deck lid will not be secured to the skimmer body, the Extension Ring sits snugly in between the skimmer body and the Deck Ring and is strong enough to hold its shape during concreting. Using the Extension Ring will prevent misalignment of the Deck Ring and the skimmer body.

- Eliminate problems caused by concrete intruding into the skimmer box cavity
- Ensure there are no obstructions to removing and replacing vacuum plates
- Extension rings can be piggybacked to provide extensions in multiples of 60mm



## SKIMMER ACCESSORIES

Part Number	Product Description		NZ List Price	Retail Inc GST
624105	Skimmer Extension Ring S75, Supa Skimmer, Auto Leveller	White	22.90	26.34
6241050	Skimmer Extension Ring S75, Supa Skimmer, Auto Leveller	Grey	20.60	23.69
624103	Skimmer Extension Ring SP5000 Paramount	White	20.70	23.81
624104	Skimmer Extension Ring Grey SP5000 Paramount	Grey	20.60	23.69



## AUTO WATER LEVELLER

Waterco's Automatic Water Leveller adds to the leisure time of the pool owner by eliminating the need to keep an eye on the water level.

- Fully automatic operation
- Overflow connection
- Child resistant lock down lid assembly
- Simple servicing and connection

## AUTO WATER LEVELLER

Part Number	Product Description		NZ List Price	Retail Inc GST
29319	Auto Water Leveller MK2		445.00	511.75

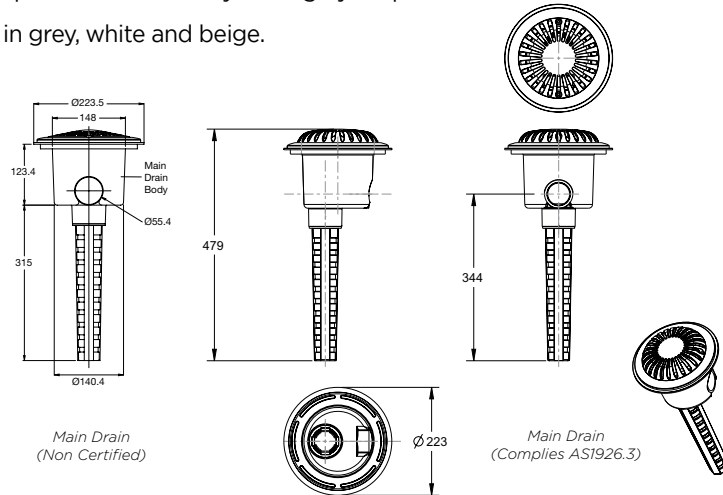
# Waterco Recirculation Accessories



## MAIN DRAINS

Waterco Main Drains are manufactured using the highest quality, impact resistant thermoplastic (ABS plastic). Main Drain incorporates a Hydrostatic valve. This valve will safeguard and stop your pool from lifting out of the ground or “popping” when the water level is low or when there is water under the pool. The long ground water spear detects underground water at a greater depth and causes the hydrostatic valve to release it before it can build up to a level that may damage your pool.

- Available in grey, white and beige.



## MAIN DRAINS

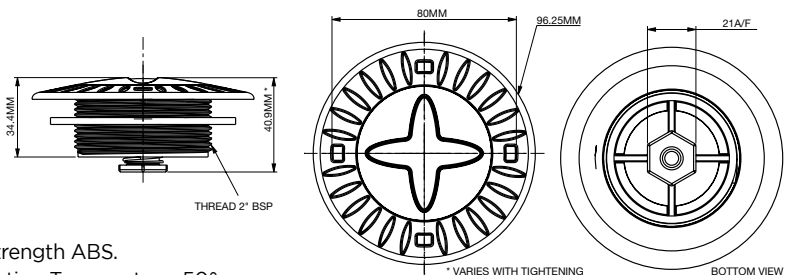
Part Number	Product Description	Nominal Size	NZ List Price	Retail Inc GST
293002	Waterco Main Drain - grey c/w valve and stem	Grey	127.00	146.05
29300	Waterco Main Drain - white c/w valve and stem	White	127.00	146.05
293000	Waterco Main Drain - white c/w valve and stem [Certified AS1926.3]	White	127.00	146.05
293001	Waterco Main Drain - grey c/w valve and stem [Certified AS1926.3]	Grey	116.00	133.40
29301	Body	50mm	54.00	62.10
29302	Hydrostatic Valve 50mm		30.70	35.31
293020	Hydrostatic Valve	Grey	28.70	33.01



## HYDROSTATIC VALVE FIBREGLASS

Waterco Fibreglass Pool Hydrostatic Valves are manufactured using the highest quality impact resistant thermoplastic (ABS plastic). This valve will safeguard and prevent your fibreglass pool from lifting out of the ground or “floating” when the pool water level is low or when there is excessive water under the pool.

- Available in white or grey



Material: High strength ABS.  
Maximum Operating Temperature: 50°

## HYDROSTATIC VALVE FIBREGLASS

Part Number	Product Description	Nominal Size	NZ List Price	Retail Inc GST
293100	Hydrostatic Valve White	White F/glass	60.00	69.00
293101	Hydrostatic Valve Grey	Grey F/glass	60.00	69.00

# Waterco Recirculation Accessories

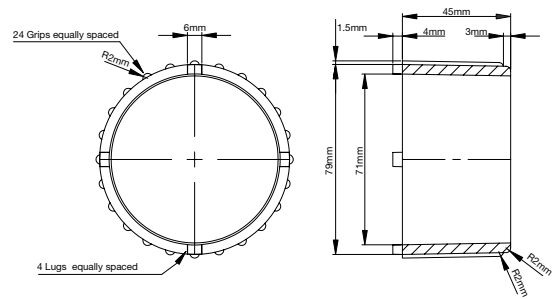


## HYDROSTATIC VALVES TOOL

The Waterco Hydrostatic Valve tool has been specifically design to help install or remove the Waterco fibreglass hydrostatic valves.

- Available in grey

Material: High strength ABS.  
Maximum Operating Temperature: 50°

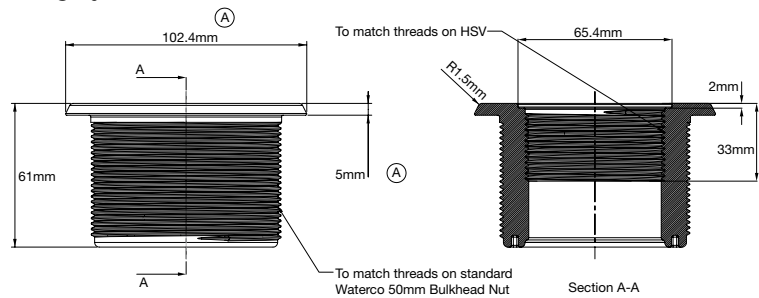


## HYDROSTATIC VALVES ADAPTOR

The Waterco hydrostatic valve adaptor is specifically designed to suit the Waterco fibreglass pool hydrostatic valve. This adaptor ensure a secure and easy installation in to any fibreglass pool shell.

- Available in white or grey

Material: High strength ABS.  
Maximum Operating Temperature: 50°



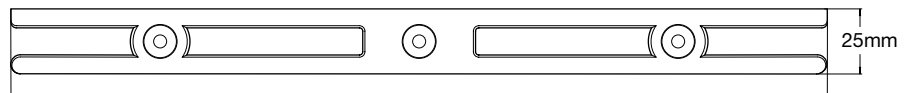
## HYDROSTATIC VALVE FIBREGLASS

Part Number	Product Description	Nominal Size	NZ List Price	Retail Inc GST
293102	Waterco Fibreglass Pool Hydrostatic Valve Tool		10.70	12.31
293103	Hydrostatic Valve Adapter White	White F/glass	58.50	67.28
293104	Hydrostatic Valve Adapter Grey	Grey F/glass	58.50	67.28



## FLUSH DECK GRATING

- Modular section - easy fitting especially around curves and bends
- Moulded pattern surface - non slip surface
- Flush fitting - no protrusion to pool surround
- Safe even water flow - maximum surface skimming



301mm OR 250mm  
Curvature: minimum radius 800mm

## FLUSH DECK GRATING

Part Number	Product Description	\$ per metre	Nominal Size	NZ List Price	Retail Inc GST
900302W	Flush Deck Grating c/w wave pattern with Waterco logo (41 per metre - \$188.60+)	213.20	301mm wide	6.70	7.71
900303W	Flush Deck Grating c/w wave pattern with Waterco logo (41 per metre - \$168.10+)	192.70	250mm wide	6.10	7.02
900304	Flush Deck Grating - Plain without logo (41 per metre)	213.20	301mm plain	6.70	7.71
900305	Flush Deck Grating - Plain without logo (41 per metre - \$168.10+)	192.70	250mm plain	6.10	7.02

# Waterco Recirculation Accessories



## SUCTIONS

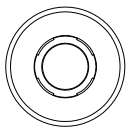
- Available as 40 or 50mm pipe, slip fit for concrete and threaded for fibreglass pool applications.
- Low profile for minimal intrusion into the pool
- Suction area of 7500mm<sup>2</sup>
- Available in clear, black, white and grey
- Also available in white with 50mm threaded tail
- Testing accordance with AS1926.3 2010



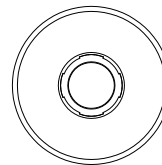
Slip Fit  
For Concrete Pools

## EYEBALL FITTINGS - CONCRETE POOLS

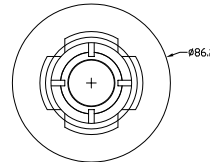
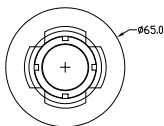
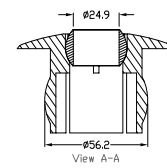
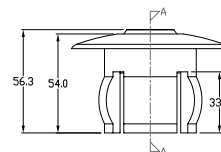
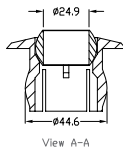
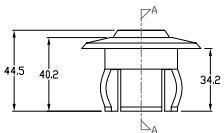
- Slip fit tail has crosshair slots for easy access into 40mm pipe
- Adjustable eyeball to assist directional flow of water
- Flush fitting wall collar
- Max flow rate: 245lpm
- Available in clear, black, grey, white and brown
- Also available in white with 50mm slip fit tail



Part no.	Description
29101	EYEBALL NOZZLE 40MM WTE w SLOT
29102	EYEBALL NOZZLE 40MM BRN w SLOT
29103	EYEBALL NOZZLE 40MM CLEAR
29104	EYEBALL NOZZLE 40MM BLACK w SLOT
29108	EYEBALL NOZZLE 40MM GREY



Part no.	Description
29150	EYEBALL WHITE 50MM SLIP FIT
29153	EYEBALL NOZZLE 50MM CLEAR
291500	EYEBALL 50MM SLIP FIT GREY

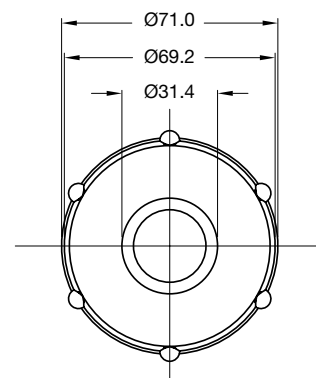
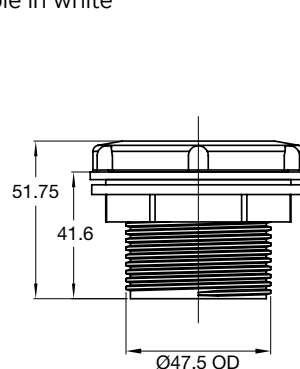


## EYEBALL FITTINGS - FIBREGLASS POOLS

- Available as threaded unit with back nut or a 40mm thread.
- Only available in white



Threaded  
For Fibreglass Pools

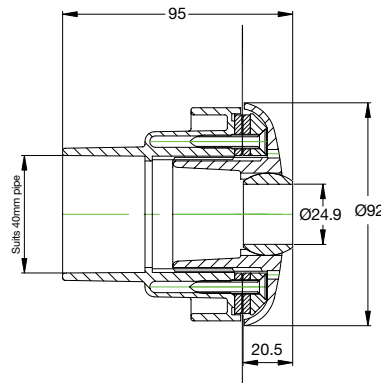


# Waterco Recirculation Accessories



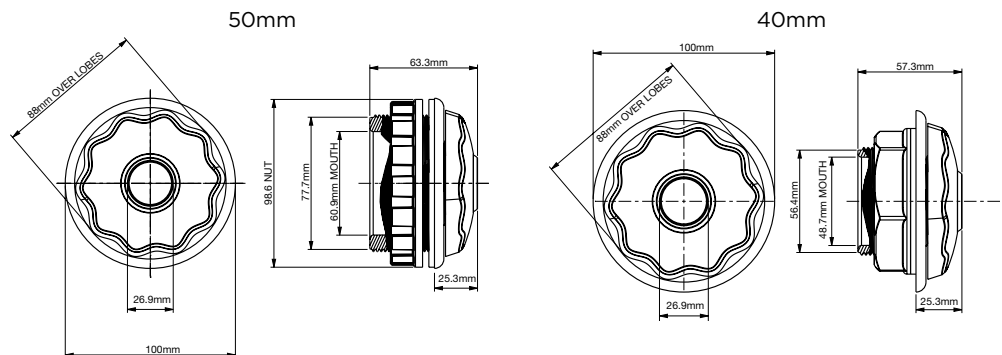
## EYEBALL FITTINGS - BRICK/VINYL POOL

- Purpose design to suit Brick Vinyl pools
- Minimal protrusion into pool, 20.5mm
- 40mm pipe connection
- Adjustable eyeball to assist directional water flow



## FIBREGLASS POOL 50MM & 40MM ADJUSTABLE EYEBALLS

- The Waterco Fibreglass pool eyeballs have been specifically designed for easy installation into new pool installations.
- Available 50mm or 40mm.
- Available in clear, white or grey.



## SKIMTROL AUTOMATIC VACUUM PLATE

Designed to sit directly on top of the skimmer basket, the Skimtrol Automatic Vacuum Plate allows better skimming and vacuum suction control for every brand and model of suction type pool cleaner.

The Skimtrol has an inbuilt adjustable pool cleaner controller to enable the user to set the correct speed and vacuum suction of the pool cleaner as well as determining the amount of surface skimming.

### SKIMTROL - SKIMMING CONTROL VACUUM PLATE

Part Number	Product Description	Ø	NZ List Price	Retail Inc GST
32717	S75&S/Skimmer Vacplate&Skimtrol (fits 3 & 4 lug) White	260	97.50	112.13
32718	S75 & S/Skimmer Vacplate & Skimtrol (fits 3 & 4 lug) Grey	260	97.50	112.13
32715	SP5000 Skimtrol MKII - lock down White	210	97.50	112.13
32716	SP5000 Skimtrol MKII - lock down Grey	211	97.50	112.13

## SUPERIOR CLEAR LIP WATERFALLS™

Waterblade<sup>®</sup> has the model to suit your needs. Available in a wide range of sizes to suit various wall lengths and widths, Waterblade<sup>®</sup> is suitable for existing and new feature walls.

Waterblade<sup>®</sup> features a 'Clear Lip' construction leaving no painting or hiding of unsightly coloured lips in your feature wall. The Clear Lip construction enables the Waterblade<sup>®</sup> to blend in to any wall regardless of its composition - even if you wish to tile around the Waterblade<sup>®</sup> on your feature wall!

For a spectacular feature in your backyard, why not combine a few Waterblade's at different heights and lengths and make a statement.

*There is nothing more peaceful and relaxing than the sound of running water!*

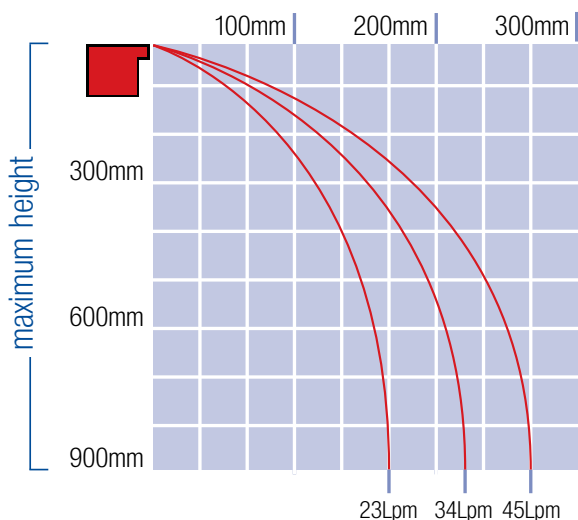


## SPECIFICATIONS

<b>Series 300</b>	<b>A, B or C</b>	<b>300mm</b>	<b>Length of Waterfall Opening</b>
<b>Series 600</b>	<b>A, B or C</b>	<b>600mm</b>	<b>Length of Waterfall Opening</b>
<b>Series 900</b>	<b>A, B or C</b>	<b>900mm</b>	<b>Length of Waterfall Opening</b>
<b>Series 1200</b>	<b>A, B or C</b>	<b>1200mm</b>	<b>Length of Waterfall Opening</b>
<b>Series 1500</b>	<b>A, B or C</b>	<b>1500mm</b>	<b>Length of Waterfall Opening</b>
<b>Series 1800</b>	<b>A, B or C</b>	<b>1800mm</b>	<b>Length of Waterfall Opening</b>
<b>Series 2400</b>	<b>A, B or C</b>	<b>2400mm</b>	<b>Length of Waterfall Opening</b>

*Custom sized Waterblade's are available on request, including convex & concave outlets to suit curved walls.*

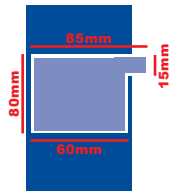
### APPROXIMATE PROJECTION OF SHEET OF WATER PER 300MM OF WATERFALL LENGTH



*In the interests of product development, specifications may be subject to change without notice.*

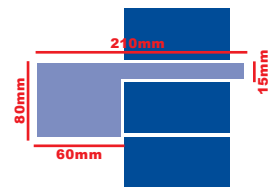
### A 25mm Lip Extension

Designed to fit existing built walls



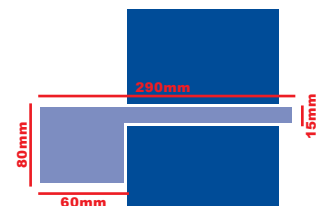
### B 150mm Lip Extension

Designed to fit single brick walls during construction



### C 230mm Lip Extension

Designed to fit limestone block walls during construction



## WATER BLADES

Part Number	Product Description	Reference Code	NZ List Price	Retail Inc GST
292665	Cascade 300 A25mm Rear	25-03REAR	465.00	534.75
292666	Cas 300 A25mm Rear+Rain Effect	25-03RREAR	510.00	586.50
292667	Cascade 300 A25mm Bottom	25-03BOTTOM	475.00	546.25
292668	Cas 300 A25mm Bottom+Rain Effect	25-03RBOTTOM	510.00	586.50
292944	Cascade 300 B150mm Rear	150-03REAR	510.00	586.50
292669	Cas 300 B150mm Rear+Rain Effect	150-03RREAR	550.00	632.50
292670	Cascade 300 B150mm Bottom	150-03BOTTOM	510.00	586.50
292671	Cas 300 B150mm Rear+Rain Effect	150-03RBOTTOM	550.00	632.50
292672	Cascade 300 C230mm Rear	230-03REAR	560.00	644.00
292673	Cas 300 C230mm Rear+Rain Effect	230-03RREAR	590.00	678.50
292674	Cascade 300 C230mm Bottom	230-03BOTTOM	560.00	644.00
292651	Cascade 600 A25mm Rear	25-06REAR	690.00	793.50
292676	Cas 600 A25mm Rear+Rain Effect	25-06RREAR	750.00	862.50
292657	Cascade 600 A25mm Bottom	25-06BOTTOM	690.00	793.50
292677	Cas 600 A25mm Bottom+Rain Effect	25-06RBOTTOM	750.00	862.50
292678	Cascade 600 B150mm Rear	150-06REAR	730.00	839.50
292679	Cas 600 B150mm Rear+Rain Effect	150-06RREAR	780.00	897.00
292680	Cascade 600 B150mm Bottom	150-06BOTTOM	730.00	839.50
292681	Cas 600 B150mm Rear+Rain Effect	150-06RBOTTOM	780.00	897.00
292682	Cascade 600 C230mm Rear	230-06REAR	760.00	874.00
292683	Cas 600 C600mm Rear+Rain Effect	230-06RREAR	820.00	943.00
292684	Cascade 600 C230mm Bottom	230-06BOTTOM	760.00	874.00
292685	Cas 600 C230mm Bottom+Rain Effect	230-06RBOTTOM	820.00	943.00
292652	Cascade 900 A25mm Rear	25-09REAR	850.00	977.50
292686	Cascade 900 A25mm Rear+Rain Effect	25-09RREAR	930.00	1,069.50
292658	Cascade 900 A25mm Bottom	25-09BOTTOM	850.00	977.50
292687	Cascade 900 A25mm Bottom+Rain Effect	25-09RBOTTOM	930.00	1,069.50
292688	Cascade 900 B150mm Rear	150-09REAR	910.00	1,046.50
292689	Cascade 900 B150mm Rear+Rain Effect	150-09RREAR	1,000.00	1,150.00
292690	Cascade 900 B150mm Bottom	150-09BOTTOM	910.00	1,046.50
292691	Cascade 900 B150mm Bottom+Rain Effect	150-09RBOTTOM	980.00	1,127.00
292655	Cascade 900 C230mm Rear	230-09REAR	950.00	1,092.50
292692	Cascade 900 C230mm Rear+Rain Effect	230-09RREAR	1,050.00	1,207.50
292662	Cascade 900 C230mm Bottom	230-09BOTTOM	950.00	1,092.50
292693	Cascade 900 C230mm Bottom+Rain Effect	230-09RBOTTOM	1,050.00	1,207.50
292653	Cascade 1200 A25mm Rear	25-12REAR	1,000.00	1,150.00
292694	Cascade 1200 A25mm Rear+Rain Effect	25-12RREAR	1,100.00	1,265.00
292659	Cascade 1200 A25mm Bottom	25-12BOTTOM	1,000.00	1,150.00
292695	Cascade 1200 A25mm Bottom+Rain Effect	25-12RBOTTOM	1,100.00	1,265.00
292696	Cascade 1200 B150mm Rear	150-12REAR	1,050.00	1,207.50
292697	Cascade 1200 B150mm Rear+Rain Effect	150-12RREAR	1,250.00	1,437.50
292698	Cascade 1200 B150mm Bottom	150-12BOTTOM	1,050.00	1,207.50
292699	Cascade 1200 B150mm Bottom+Rain Effect	150-12RBOTTOM	1,250.00	1,437.50
292700	Cascade 1200 C230mm Rear	230-12REAR	1,100.00	1,265.00
292702	Cascade 1200 C230mm Rear+Rain Effect	230-12RREAR	1,300.00	1,495.00
292703	Cascade 1200 C230mm Bottom	230-12BOTTOM	1,100.00	1,265.00
292663	Cascade 1200 C230mm Bottom+Rain Effect	230-12RBOTTOM	1,300.00	1,495.00
292704	Cascade 1500 A25mm Rear	25-15REAR	1,250.00	1,437.50
292705	Cascade 1500 A25mm Rear+Rain Effect	25-15RREAR	1,300.00	1,495.00
292706	Cascade 1500 A25mm Bottom	25-15BOTTOM	1,200.00	1,380.00
292707	Cascade 1500 A25mm Bottom+Rain Effect	25-15RBOTTOM	1,350.00	1,552.50
292708	Cascade 1500 B150mm Rear	150-15REAR	1,300.00	1,495.00
292709	Cascade 1500 B150mm Rear+Rain Effect	150-15RREAR	1,450.00	1,667.50
292710	Cascade 1500 B150mm Bottom	150-15BOTTOM	1,300.00	1,495.00
292711	Cascade 1500 B150mm Bottom+Rain Effect	150-15RBOTTOM	1,450.00	1,667.50
292712	Cascade 1500 C230mm Rear	230-15REAR	1,400.00	1,610.00
292713	Cascade 1500 C230mm Rear+Rain Effect	230-15RREAR	1,550.00	1,782.50
292714	Cascade 1500 C230mm Bottom	230-15BOTTOM	1,400.00	1,610.00
292715	Cascade 1500 C230mm Bottom+Rain Effect	230-15RBOTTOM	1,550.00	1,782.50

## WATER BLADES

Part Number	Product Description	Reference Code	NZ List Price	Retail Inc GST
292654	Cascade 1800 A25mm Rear	25-18REAR	1,450.00	1,667.50
292716	Cascade 1800 A25mm Rear+Rain Effect	25-18RREAR	1,600.00	1,840.00
292660	Cascade 1800 A25mm Bottom	25-18BOTTOM	1,450.00	1,667.50
292717	Cascade 1800 A25mm Bottom+Rain Effect	25-18RBOTTOM	1,600.00	1,840.00
292718	Cascade 1800 B150mm Rear	150-18REAR	1,550.00	1,782.50
292719	Cascade 1800 B150mm Rear+Rain Effect	150-18RREAR	1,700.00	1,955.00
292720	Cascade 1800 B150mm Bottom	150-18BOTTOM	1,550.00	1,782.50
292721	Cascade 1800 B150mm Bottom+Rain Effect	150-18RBOTTOM	1,700.00	1,955.00
292722	Cascade 1800 C230mm Rear	230-18REAR	1,600.00	1,840.00
292723	Cascade 1800 C230mm Rear+Rain Effect	230-18RREAR	1,750.00	2,012.50
292724	Cascade 1800 C230mm Bottom	230-18BOTTOM	1,600.00	1,840.00
292725	Cascade 1800 C230mm Bottom+Rain Effect	230-18RBOTTOM	1,750.00	2,012.50
292726	Cascade 2100 A25mm Rear	25-21REAR	1,550.00	1,782.50
292727	Cascade 2100 A25mm Rear+Rain Effect	25-21RREAR	1,700.00	1,955.00
292728	Cascade 2100 A25mm Bottom	25-21BOTTOM	1,550.00	1,782.50
292729	Cascade 2100 A25mm Bottom+Rain Effect	25-21RBOTTOM	1,700.00	1,955.00
292730	Cascade 2100 B150mm Rear	150-21REAR	1,600.00	1,840.00
292731	Cascade 2100 B150mm Rear+Rain Effect	150-21RREAR	1,800.00	2,070.00
292732	Cascade 2100 B150mm Bottom	150-21BOTTOM	1,600.00	1,840.00
292733	Cascade 2100 B150mm Bottom+Rain Effect	150-21RBOTTOM	1,800.00	2,070.00
292734	Cascade 2100 C230mm Rear	230-21REAR	1,700.00	1,955.00
292735	Cascade 2100 C230mm Rear+Rain Effect	230-21RREAR	1,850.00	2,127.50
292736	Cascade 2100 C230mm Bottom	230-21BOTTOM	1,700.00	1,955.00
292737	Cascade 2100 C230mm Bottom+Rain Effect	230-21RBOTTOM	1,850.00	2,127.50
292650	Cascade 2400 A25mm Rear	25-24REAR	1,650.00	1,897.50
292738	Cascade 2400 A25mm Rear+Rain Effect	25-24RREAR	1,850.00	2,127.50
292661	Cascade 2400 A25mm Bottom	25-24BOTTOM	1,650.00	1,897.50
292739	Cascade 2400 A25mm Bottom+Rain Effect	25-24RBOTTOM	1,850.00	2,127.50
292740	Cascade 2400 B150mm Rear	150-24REAR	1,750.00	2,012.50
292741	Cascade 2400 B150mm Rear+Rain Effect	150-24RREAR	2,050.00	2,357.50
292742	Cascade 2400 B150mm Bottom	150-24BOTTOM	1,750.00	2,012.50
292743	Cascade 2400 B150mm Bottom+Rain Effect	150-24RBOTTOM	2,050.00	2,357.50
292744	Cascade 2400 C230mm Rear	230-24REAR	1,950.00	2,242.50
292745	Cascade 2400 C230mm Rear+Rain Effect	230-24RREAR	2,150.00	2,472.50
292746	Cascade 2400 C230mm Bottom	230-24BOTTOM	1,950.00	2,242.50
292747	Cascade 2400 C230mm Bottom+Rain Effect	230-24RBOTTOM	2,150.00	2,472.50
292748	300 B150mm LED RGBrear	150-03LEDRGBREAR	1,300.00	1,495.00
292749	300 B150mm LED Blue Rear	150-03LEDBREAR	1,050.00	1,207.50
292750	300 B150mm LED White Rear	150-03LEDWREAR	1,050.00	1,207.50
292751	300 B150mm LED RGB Rear+Rain Eff	150-03LEDRGBRREAR	1,350.00	1,552.50
292752	300 B150mm LED Blue Rear+Rain Eff	150-03LEDBRREAR	1,100.00	1,265.00
292753	300 B150mmLED Wht Rear+Rain Eff	150-03LEDWRREAR	1,100.00	1,265.00
292754	300 B150mm LED RGB Bottom	150-03LEDRGBBOTTOM	1,300.00	1,495.00
292755	300 B150mm LED Blue Bottom	150-03LEDBBOTTOM	1,050.00	1,207.50
292756	300 B150mm LED White Bottom	150-03LEDWBOTTOM	1,050.00	1,207.50
292757	300 B150mm LED RGB Rear+Rain Effect	150-03LEDRGBRBOTTOM	1,350.00	1,552.50
292758	300 B150mm LED Blue Rear+Rain Effect	150-03LEDBRBOTTOM	1,100.00	1,265.00
292759	300 B150mm LED White Rear+Rain Effect	150-03LEDWRBOTTOM	1,100.00	1,265.00
292760	300 C230mm LED RGB Rear	230-03LEDRGBREAR	1,350.00	1,552.50
292761	300 C230mm LED Blue Rear	230-03LEDBREAR	1,100.00	1,265.00
292762	300 C230mm LED White Rear	230-03LEDWREAR	1,100.00	1,265.00
292763	300 C230mm LED RGB Rear+Rain Effect	230-03LEDRGBRREAR	1,400.00	1,610.00
292764	300 C230mm LED Blue Rear+Rain Effect	230-03LEDRGBRREAR	1,100.00	1,265.00
292765	300 C230mm LED White Rear+Rain Effect	230-03LEDWRREAR	1,100.00	1,265.00
292766	300 C230mm LED RGB Bottom	230-03LEDRGBBOTTOM	1,350.00	1,552.50
292767	300 C230mm LED Blue Bottom	230-03LEDBBOTTOM	1,100.00	1,265.00
292768	300 C230mm LED White Bottom	230-03LEDWBOTTOM	1,100.00	1,265.00
292769	300 C230mm LED RGB Bottom+Rain Effect	230-03LEDRGBRBOTTOM	1,400.00	1,610.00
292770	300 C230mm LED Blue Bottom+Rain Effect	230-03LEDBRBOTTOM	1,150.00	1,322.50



## WATER BLADES

Part Number	Product Description	Reference Code	NZ List Price	Retail Inc GST
292771	300 C230mm LED White Bottom+Rain Effect	230-03LEDWRBOTTOM	1,150.00	1,322.50
292772	600 B150mm LED RGB Rear	150-06LEDRGBREAR	1,550.00	1,782.50
292773	600 B150mm LED Blue Rear	150-06LEDBREAR	1,300.00	1,495.00
292774	600 B150mm LED White Rear	150-06LEDWREAR	1,300.00	1,495.00
292775	600 B150mm LED RGB Rear+Rain Effect	150-06LEDRGBRREAR	1,600.00	1,840.00
292776	600 B150mm LED Blue Rear+Rain Effect	150-06LEDBRREAR	1,350.00	1,552.50
292777	600 B150mm LED White Rear+Rain Effect	150-06LEDWRREAR	1,350.00	1,552.50
292778	600 B150mm LED RGB Bottom	150-06LEDRGBBOTTOM	1,550.00	1,782.50
292779	600 B150mm LED Blue Bottom	150-06LEDBBOTTOM	1,300.00	1,495.00
292780	600 B150mm LED White Bottom	150-06LEDWBOTTOM	1,300.00	1,495.00
292781	600 B150mm LED RGB Rear+Rain Effect	150-03LEDRGBRBOTTOM	1,600.00	1,840.00
292782	600 B150mm LED Blue Rear+Rain Effect	150-03LEDBRBOTTOM	1,350.00	1,552.50
292783	600 B150mm LED White Rear+Rain Effect	150-03LEDWRBOTTOM	1,350.00	1,552.50
292784	600 C230mm LED RGB Rear	230-06LEDRGBREAR	1,600.00	1,840.00
292785	600 C230mm LED Blue Rear	230-06LEDBREAR	1,350.00	1,552.50
292786	600 C230mm LED White Rear	230-06LEDWREAR	1,350.00	1,552.50
292787	600 C600mm LED RGB Rear+Rain Effect	230-06LEDRGBRREAR	1,650.00	1,897.50
292788	600 C600mm LED Blue Rear+Rain Effect	230-06LEDBRREAR	1,400.00	1,610.00
292789	600 C600mm LED White Rear+Rain Effect	230-06LEDWRREAR	1,400.00	1,610.00
292941	600 C230mm LED RGB Bottom	230-03LEDRGBBOTTOM	1,600.00	1,840.00
292942	600 C230mm LED Blue Bottom	230-0LEDB3BOTTOM	1,350.00	1,552.50
292943	600 C230mm LED White Bottom	230-03LEDWBOTTOM	1,350.00	1,552.50
292790	600 C230mm LED RGB Bottom+Rain Effect	230-06LEDRGBRBOTTOM	1,650.00	1,897.50
292791	600 C230mm LED Blue Bottom+Rain Effect	230-06LEDBRBOTTOM	1,400.00	1,610.00
292792	600 C230mm LED White Bottom+Rain Effect	230-06LEDWRBOTTOM	1,400.00	1,610.00
292793	900 B150mm LED RGB Rear	150-09LEDRGBREAR	1,750.00	2,012.50
292794	900 B150mm LED Blue Rear	150-09LEDBREAR	1,550.00	1,782.50
292795	900 B150mm LED White Rear	150-09LEDWREAR	1,550.00	1,782.50
292796	900 B150mm LED RGB Rear+Rain Effect	150-09LEDRGBRREAR	1,850.00	2,127.50
292797	900 B150mm LED Blue Rear+Rain Effect	150-09LEDBRREAR	1,600.00	1,840.00
292798	900 B150mm LED White Rear+Rain Effect	150-09LEDWRREAR	1,600.00	1,840.00
292799	900 B150mm LED RGB Bottom	150-09LEDRGBBOTTOM	1,750.00	2,012.50
292800	900 B150mm LED Blue Bottom	150-09LEDBBOTTOM	1,550.00	1,782.50
292801	900 B150mm LED White Bottom	150-09LEDWBOTTOM	1,550.00	1,782.50
292802	900 B150mm LED RGB Bottom+Rain Effect	150-09LEDRGBRBOTTOM	1,850.00	2,127.50
292803	900 B150mm LED Blue Bottom+Rain Effect	150-09LEDBRBOTTOM	1,600.00	1,840.00
292804	900 B150mm LED White Bottom+Rain Effect	150-09LEDWRBOTTOM	1,600.00	1,840.00
292805	900 C230mm LED RGB Rear	230-09LEDRGBREAR	1,800.00	2,070.00
292806	900 C230mm LED Blue Rear	230-09LEDBREAR	1,550.00	1,782.50
292807	900 C230mm LED White Rear	230-09LEDWREAR	1,550.00	1,782.50
292808	900 C230mm LED RGB Rear+Rain Effect	230-09LEDRGBRREAR	1,950.00	2,242.50
292809	900 C230mm LED Blue Rear+Rain Effect	230-09LEDBRREAR	1,650.00	1,897.50
292810	900 C230mm LED White Rear+Rain Effect	230-09LEDWRREAR	1,650.00	1,897.50
292811	900 C230mm LED RGB Bottom	230-09LEDRGBBOTTOM	2,200.00	2,530.00
292812	900 C230mm LED Blue Bottom	230-09LEDBBOTTOM	1,550.00	1,782.50
292813	900 C230mm LED White Bottom	230-09LEDWBOTTOM	1,550.00	1,782.50
292814	900 C230mm LED RGB Bottom+Rain Effect	230-09LEDRGBRBOTTOM	1,950.00	2,242.50
292815	900 C230mm LED Blue Bottom+Rain Effect	230-09LEDBRBOTTOM	1,650.00	1,897.50
292816	900 C230mm LED White Bottom+Rain Effect	230-09LEDWRBOTTOM	1,650.00	1,897.50
292817	1200 B150mm LED RGB Rear	150-12LEDRGBREAR	2,650.00	3,047.50
292818	1200 B150mm LED Blue Rear	150-12LEDBREAR	1,700.00	1,955.00
292819	1200 B150mm LED White Rear	150-12LEDWREAR	1,700.00	1,955.00
292820	1200 B150mm LED RGB Rear+Rain Effect	150-12LEDRGBRREAR	2,100.00	2,415.00
292821	1200 B150mm LED Blue Rear+Rain Effect	150-12LEDBRREAR	1,800.00	2,070.00
292822	1200 B150mm LED White Rear+Rain Effect	150-12LEDWRREAR	1,800.00	2,070.00
292823	1200 B150mm LED RGB Bottom	150-12RGBBOTTOM	2,000.00	2,300.00
292824	1200 B150mm LED Blue Bottom	150-12LEDBBOTTOM	1,700.00	1,955.00
292825	1200 B150mm LED White Bottom	150-12LEDWBOTTOM	1,700.00	1,955.00

## WATER BLADES

Part Number	Product Description	Reference Code	NZ List Price	Retail Inc GST
292826	1200 B150mm LED RGB Bottom+Rain Effect	150-12LEDRGBRBOTTOM	2,100.00	2,415.00
292827	1200 B150mm LED Blue Bottom+Rain Effect	150-12LEDBRBOTTOM	1,800.00	2,070.00
292828	1200 B150mm LED White Bottom+Rain Effect	150-12LEDWRBOTTOM	1,800.00	2,070.00
292829	1200 C230mm LED RGB Rear	230-12LEDRGBREAR	2,050.00	2,357.50
292830	1200 C230mm LED Blue Rear	230-12LEDBREAR	1,750.00	2,012.50
292831	1200 C230mm LED White Rear	230-12LEDWREAR	1,750.00	2,012.50
292832	1200 C230mm LED RGB Rear+Rain Effect	230-12LEDRGBRREAR	2,200.00	2,530.00
292833	1200 C230mm LED Blue Rear+Rain Effect	230-12LEDBRREAR	1,950.00	2,242.50
292834	1200 C230mm LED White Rear+Rain Effect	230-12LEDWRREAR	1,950.00	2,242.50
292835	1200 C230mm LED RGB Bottom	230-12LEDRGBBOTTOM	2,050.00	2,357.50
292836	1200 C230mm LED Blue Bottom	230-12LEDBBOTTOM	1,750.00	2,012.50
292837	1200 C230mm LED White Bottom	230-12LEDWBOTTOM	1,750.00	2,012.50
292838	1200 C230mm LED RGB Bottom+Rain Effect	230-12LEDRGBRBOTTOM	2,200.00	2,530.00
292839	1200 C230mm LED Blue Bottom+Rain Effect	230-12LEDBRBOTTOM	1,950.00	2,242.50
292840	1200 C230mm LED White Bottom+Rain Effect	230-12LEDWRBOTTOM	1,950.00	2,242.50
292841	1500 B150mm LED RGB Rear	150-15LEDRGBREAR	2,250.00	2,587.50
292842	1500 B150mm LED Blue Rear	150-15LEDBREAR	2,000.00	2,300.00
292843	1500 B150mm LED White Rear	150-15LEDWREAR	2,000.00	2,300.00
292844	1500 B150mm LED RGB Rear+Rain Effect	150-15LEDRGBRREAR	2,400.00	2,760.00
292845	1500 B150mm LED Blue Rear+Rain Effect	150-15LEDBRREAR	2,150.00	2,472.50
292846	1500 B150mm LED White Rear+Rain Effect	150-15LEDWRREAR	2,150.00	2,472.50
292847	1500 B150mm LED RGB Bottom	150-15LEDRGBBOTTOM	2,250.00	2,587.50
292848	1500 B150mm LED Blue Bottom	150-15LEDBBOTTOM	2,000.00	2,300.00
292849	1500 B150mm LED White Bottom	150-15LEDWBOTTOM	2,000.00	2,300.00
292850	1500 B150mm LED RGB Bottom+Rain Effect	150-15LEDRGBRBOTTOM	2,400.00	2,760.00
292851	1500 B150mm LED Blue Bottom+Rain Effect	150-15LEDBRBOTTOM	2,150.00	2,472.50
292852	1500 B150mm LED White Bottom+Rain Effect	150-15LEDWRBOTTOM	2,150.00	2,472.50
292853	1500 C230mm LED RGB Rear	230-15LEDRGBREAR	2,350.00	2,702.50
292854	1500 C230mm LED Blue Rear	230-15LEDBREAR	2,100.00	2,415.00
292855	1500 C230mm LED White Rear	230-15LEDWREAR	2,100.00	2,415.00
292856	1500 C230mm LED RGB Rear+Rain Effect	230-15LEDRGBRREAR	2,450.00	2,817.50
292857	1500 C230mm LED Blue Rear+Rain Effect	230-15LEDBRREAR	2,200.00	2,530.00
292858	1500 C230mm LED White Rear+Rain Effect	230-15LEDWRREAR	2,200.00	2,530.00
292859	1500 C230mm LED RGB Bottom	230-15LEDRGBBOTTOM	2,350.00	2,702.50
292860	1500 C230mm LED Blue Bottom	230-15LEDBBOTTOM	2,100.00	2,415.00
292861	1500 C230mm LED White Bottom	230-15LEDWBOTTOM	2,100.00	2,415.00
292862	1500 C230mm LED RGB Bottom+Rain Effect	230-15LEDRGBRBOTTOM	2,450.00	2,817.50
292863	1500 C230mm LED Blue Bottom+Rain Effect	230-15LEDBRBOTTOM	2,200.00	2,530.00
292864	1500 C230mm LED White Bottom+Rain Effect	230-15LEDWRBOTTOM	2,200.00	2,530.00
292865	1800 B150mm LED RGB Rear	150-18LEDRGBREAR	2,500.00	2,875.00
292866	1800 B150mm LED Blue Rear	150-18LEDBREAR	2,250.00	2,587.50
292867	1800 B150mm LED Whiterear	150-18LEDWREAR	2,250.00	2,587.50
292868	1800 B150mm LED RGB Rear+Rain Effect	150-18LEDRGBRREAR	2,700.00	3,105.00
292869	1800 B150mm LED Blue Rear+Rain Effect	150-18LEDBRREAR	2,400.00	2,760.00
292870	1800 B150mm LED White Rear+Rain Effect	150-18LEDWRREAR	2,400.00	2,760.00
292871	1800 B150mm LED RGB Bottom	150-18LEDRGBBOTTOM	2,500.00	2,875.00
292872	1800 B150mm LED Blue Bottom	150-18LEDBBOTTOM	2,250.00	2,587.50
292873	1800 B150mm LED White Bottom	150-18LEDWBOTTOM	2,250.00	2,587.50
292874	1800 B150mm LED RGB Bottom+Rain Effect	150-18LEDRGBRBOTTOM	2,700.00	3,105.00
292875	1800 B150mm LED Blue Bottom+Rain Effect	150-18LEDBRBOTTOM	2,400.00	2,760.00
292876	1800 B150mm LED White Bottom+Rain Effect	150-18LEDWRBOTTOM	2,400.00	2,760.00
292877	1800 C230mm LED RGB Rear	230-18LEDRGBREAR	2,600.00	2,990.00
292878	1800 C230mm LED Blue Rear	230-18LEDBREAR	2,300.00	2,645.00
292879	1800 C230mm LED White Rear	230-18LEDWREAR	2,300.00	2,645.00
292880	1800 C230mm LED RGB Rear+Rain Effect	230-18LEDRGBRREAR	2,800.00	3,220.00
292881	1800 C230mm LED Blue Rear+Rain Effect	230-18LEDBRREAR	2,500.00	2,875.00
292882	1800 C230mm LED White Rear+Rain Effect	230-18LEDWRREAR	2,500.00	2,875.00
292883	1800 C230mm LED RGB Bottom	230-18LEDRGBBOTTOM	2,600.00	2,990.00
292884	1800 C230mm LED Blue Bottom	230-18LEDBBOTTOM	2,300.00	2,645.00

## WATER BLADES

Part Number	Product Description	Reference Code	NZ List Price	Retail Inc GST
292885	1800 C230mm LED White Bottom	230-1LEDW8BOTTOM	2,300.00	2,645.00
292886	1800 C230mm LED RGB Bottom+Rain Effect	230-18LEDRGBRBOTTOM	2,800.00	3,220.00
292887	1800 C230mm LED Blue Bottom+Rain Effect	230-18LEDBRBOTTOM	2,500.00	2,875.00
292888	1800 LED White C230mm Bottom+Rain Effect	230-18LEDWRBOTTOM	2,500.00	2,875.00
292889	2100 B150mm LED RGB Rear	150-21LEDRGBREAR	2,700.00	3,105.00
292890	2100 B150mm LED Blue Rear	150-21LEDBREAR	2,350.00	2,702.50
292891	2100 B150mm LED White Rear	150-21LEDWREAR	2,350.00	2,702.50
292892	2100 B150mm LED RGB Rear+Rain Effect	150-21LEDRGBRREAR	2,900.00	3,335.00
292893	2100 B150mm LED Blue Rear+Rain Effect	150-21LEDBRREAR	2,550.00	2,932.50
292894	2100 B150mm LED White Rear+Rain Effect	150-21LEDWRREAR	2,550.00	2,932.50
292895	2100 B150mm LED RGB Bottom	150-21LEDRGBBOTTOM	2,700.00	3,105.00
292896	2100 B150mm LED Blue Bottom	150-21LEDBBOTTOM	2,350.00	2,702.50
292897	2100 B150mm LED White Bottom	150-21LEDWBOTTOM	2,350.00	2,702.50
292898	2100 B150mm LED RGB Bottom+Rain Effect	150-21LEDRGBRBOTTOM	2,900.00	3,335.00
292899	2100 B150mm LED Blue Bottom+Rain Effect	150-21LEDBRBOTTOM	2,550.00	2,932.50
292900	2100 B150mm LED White Bottom+Rain Effect	150-21LEDWRBOTTOM	2,550.00	2,932.50
292901	2100 C230mm LED RGB Rear+Rain Effect	230-21LEDRGBRREAR	2,950.00	3,392.50
292902	2100 C230mm LED Blue Rear+Rain Effect	230-21LEDBRREAR	2,700.00	3,105.00
292903	2100 C230mm LED White Rear+Rain Effect	230-21LEDWRREAR	2,700.00	3,105.00
292904	2100 C230mm LED RGB Bottom	230-21LEDRGBBOTTOM	2,800.00	3,220.00
292905	2100 C230mm LED Blue Bottom	230-21LEDBBOTTOM	2,450.00	2,817.50
292906	2100 C230mm LED White Bottom	230-21LEDWBOTTOM	2,450.00	2,817.50
292907	2100 C230mm LED RGB Bottom+Rain Effect	230-21LEDRGBRBOTTOM	2,950.00	3,392.50
292908	2100 C230mm LED Blue Bottom+Rain Effect	230-21LEDBRBOTTOM	2,700.00	3,105.00
292909	2100 C230mm LED White Bottom+Rain Effect	230-21LEDWRBOTTOM	2,700.00	3,105.00
292910	2400 B150mm LED RGB Rear	150-24LEDRGBREAR	2,900.00	3,335.00
292911	2400 B150mm LED Blue Rear	150-24LEDBREAR	2,600.00	2,990.00
292912	2400 B150mm LED White Rear	150-24LEDWREAR	2,600.00	2,990.00
292913	2400 B150mm LED RGB Rear+Rain Effect	150-24LEDRGBRREAR	3,100.00	3,565.00
292914	2400 B150mm LED Blue Rear+Rain Effect	150-24LEDBRREAR	2,900.00	3,335.00
292915	2400 B150mm LED White Rear+Rain Effect	150-24LEDWRREAR	2,900.00	3,335.00
292916	2400 B150mm LED RGB Bottom	150-24LEDRGBBOTTOM	2,900.00	3,335.00
292917	2400 B150mm LED Blue Bottom	150-24LEDBBOTTOM	2,600.00	2,990.00
292918	2400 B150mm LED White Bottom	150-24LEDWBOTTOM	2,600.00	2,990.00
292919	2400 B150mm LED RGB Bottom+Rain Effect	150-24LEDRGBRBOTTOM	3,100.00	3,565.00
292920	2400 B150mm LED Blue Bottom+Rain Effect	150-24LEDBRBOTTOM	2,900.00	3,335.00
292921	2400 B150mm LED White Bottom+Rain Effect	150-24LEDWRBOTTOM	2,900.00	3,335.00
292922	2400 C230mm LED RGB Rear	230-24LEDRGBREAR	3,050.00	3,507.50
292923	2400 C230mm LED Blue Rear	230-24LEDBREAR	2,800.00	3,220.00
292924	2400 C230mm LED White Rear	230-24LEDWREAR	2,800.00	3,220.00
292925	2400 C230mm LED RGB Rear+Rain Effect	230-24LEDRGBRREAR	3,250.00	3,737.50
292926	2400 C230mm LED Blue Rear+Rain Effect	230-24LEDBRREAR	3,050.00	3,507.50
292927	2400 C230mm LED White Rear+Rain Effect	230-24LEDWRREAR	3,050.00	3,507.50
292928	2400 C230mm LED RGB Bottom	230-24LEDRGBBOTTOM	3,050.00	3,507.50
292929	2400 C230mm LED Blue Bottom	230-24LEDBBOTTOM	2,800.00	3,220.00
292930	2400 C230mm LED White Bottom	230-24LEDWBOTTOM	2,800.00	3,220.00
292931	2400 C230mm LED RGB Bottom+Rain Effect	230-24LEDRGBRBOTTOM	3,250.00	3,737.50
292932	2400 C230mm LED Blue Bottom+Rain Effect	230-24LEDBRBOTTOM	3,050.00	3,507.50
292933	2400 C230mm LED White Bottom+Rain Effect	230-24LEDWRBOTTOM	3,050.00	3,507.50
292948	Cascade 600mm with 47mm Lip Bottom Entry	045-06 BE	750.00	862.50
292949	Cascade 900mm with 47mm Lip Bottom Entry	045-09 BE	940.00	1,081.00
292950	Cascade 1200mm with 47mm Lip Bottom Entry	045-12 BE	1,150.00	1,322.50
292951	Cascade 1800mm with 47mm Lip Bottom Entry	045-18 BE	1,600.00	1,840.00
292934	RGB Color, 5 Meter Reel	SW5050030RGB-12V-A	520.00	598.00
292935	Blue Color, 5 Meter Reel	SW3528060B-12V-A	490.00	563.50
292936	White Color, 5 Meter Reel	SW3528060W-12V-A	490.00	563.50
292937	60 Wat LED Driver	S-ST-WP-BYQ-30W	167.00	192.05
292938	RGB Controller	RGB LED CONTROLLER	198.00	227.70
292939	3 Way Split	LED CONNECTOR-3	66.50	76.48
292940	5 Mtr 4 Wire Cable	LED EXTENSION CORD	50.00	57.50
292945	Water Blades Rock Trap	ROCKTRAP	48.30	55.55
292946	Deck Jet Single WaterBlade	WBSJ	232.00	266.80
292947	Deck Jet Triple WaterBlade	WBTJ	245.00	281.75

# Relax and let the pool clean itself

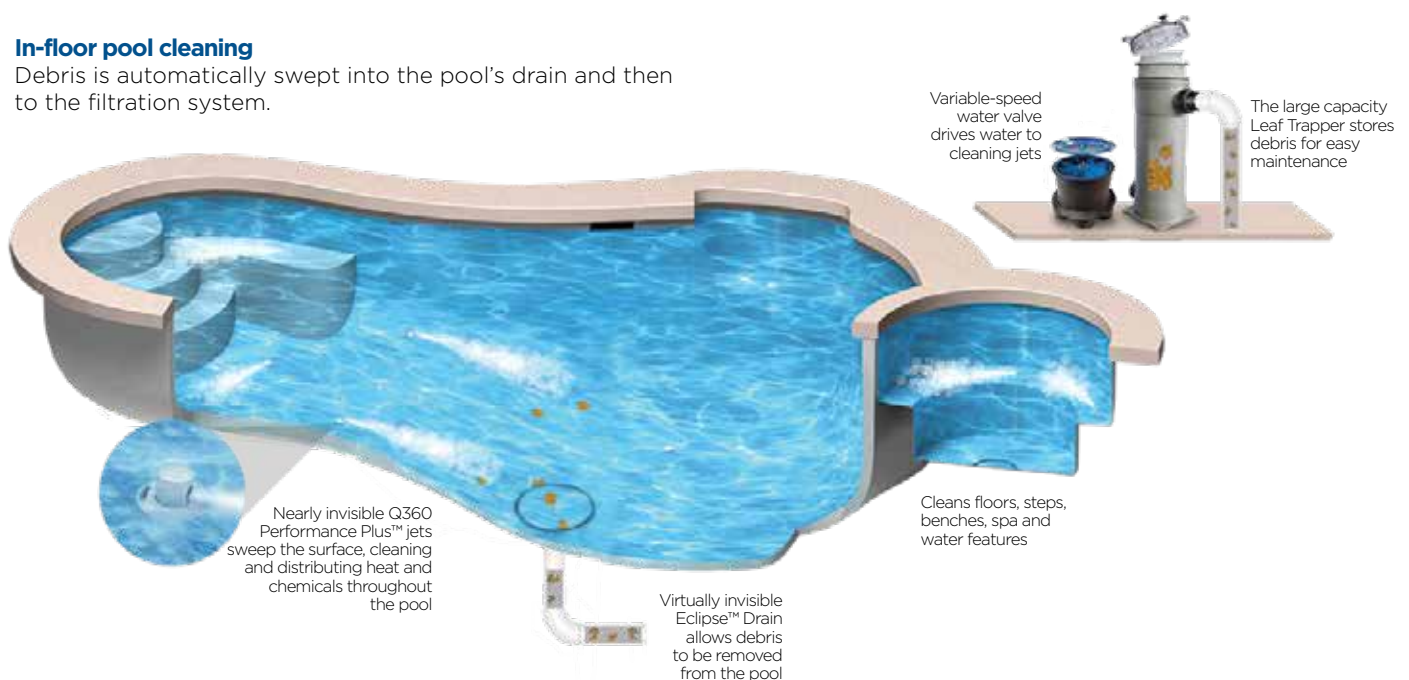


Don't waste hours cleaning your pool when Waterco's Q360 in-floor pool cleaning system can do it for you. Virtually invisible, the Q360 system automatically sweeps debris into the pool's main drain and then to the filtration system, there is no need for an additional cleaner.

The Q360 system also circulates water through the pool resulting in less algae growth, better heat and chemical dissipation with increased operating efficiencies and reduced chemical and heating costs.

## In-floor pool cleaning

Debris is automatically swept into the pool's drain and then to the filtration system.





## DISTRIBUTOR VALVE

Part Number	Product Description	NZ List Price	Retail Inc GST
135007	BSQ Q360 Distributor Valve High Speed	1,750.00	2,012.50
135004	BSQ Q360 Y Pipe 01145101	123.00	141.45
135008	BSQ High Speed Cassette	270.00	310.50



## JET COLLARS

Part Number	Product Description	NZ List Price	Retail Inc GST
135011	BSQ Jet Collar For Concrete Pools Grey - 011400Gr	Grey 63.00	72.45
135012	BSQ Jet Collar For Concrete Pools White - 011400Wt	White 63.00	72.45
135013	BSQ Jet Collar For Concrete Pools Blue - 011400Bl	Blue 63.00	72.45
135002	BSQ Jet Collar Fitting For F/G Pool Grey	Grey 142.00	163.30
135030	BSQ Collar Adaptor Sleeve Fitting 50Mm C12 Pipe	22.80	26.22



## JETS

Part Number	Product Description	NZ List Price	Retail Inc GST
135052	BSQ Popup Jet Grey	Grey 288.00	331.20
135050	BSQ Popup Jet Black	Black 288.00	331.20
135053	BSQ Popup Jet White	White 288.00	331.20
135051	BSQ Popup Jet Beige	Beige 288.00	331.20
135049	BSQ Popup Jet Blue	Blue 288.00	331.20
135083	BSQ Popup Jet Grey Fixed position	Grey 298.00	342.70
135077	BSQ Popup Jet White Fixed position	White 255.00	293.25
135075	BSQ Jet Insert XLG Grey	Grey 11.10	12.77
135076	BSQ Jet Insert XLG White	White 11.10	12.77
135006	BSQ Jet Removal Tool Metal	137.00	157.55

## REPLACEMENT JETS

Part Number	Product Description	NZ List Price	Retail Inc GST
135086	Replacement Jet for Caretaker C99 Grey	Grey 298.00	342.70
135071	Replacement Jet for Caretaker C99 White	White 290.00	333.50
135087	Replacement Jet for Paramount PV3 Grey	Grey 298.00	342.70
135088	Replacement Jet for Paramount PV3 White	White 298.00	342.70
135084	Replacement Jet for Paramount PCC2000 Grey	Grey 340.00	391.00
135085	Replacement Jet for Paramount PCC2000 White	White 340.00	391.00



## DRAINS

Part Number	Product Description	NZ List Price	Retail Inc GST
135028	BSQ Eclipse Drain For Concrete Pools Grey 501003Gr	Grey 1,600.00	1,840.00
135029	BSQ Eclipse Drain For Concrete Pools White 501003Wt	White 1,600.00	1,840.00
135056	BSQ Eclipse Drain Centre Cover Grey	Grey 78.50	90.28
135057	BSQ Eclipse Drain Centre Cover White	White 80.50	92.58
135010	AVSC Channel Floor Drain For F/G 2 Suction Port Grey	Grey 1,750.00	2,012.50

## HYDROSTATIC VALVE

Part Number	Product Description	NZ List Price	Retail Inc GST
135045	Hydrostatic valve - Grey	Grey 224.00	257.60
135046	Hydrostatic valve - White	White 242.00	278.30

## BLUESQUARE INFLOOR SYSTEM

Virtually invisible, the Q360 system is fully automatic and handles high debris levels with no additional cleaners. Circulating water through the pool, Waterco's Blue Square in-floor system results in less algae growth, better heat and chemical dissipation and increased operating efficiencies.

Waterco's Blue Square Q360 in-floor pool cleaning system's design has fewer moving parts to propel water more effectively through the system. The design ensures the maximum possible flow rate to the in-floor cleaning jets with minimal restriction and back pressure.

It includes 360°, 14-point rotation in-floor mounted cleaning jets that rise successively to sweep debris from the pool floor and steps, becoming almost invisible when they lower to flush when finished. The 360° rotating jets evenly distribute cleaning power and increase the circulation of the pool water.

The pressure-safe valve design protects the system by ensuring that one port is always open. A large 50mm PVC pipe inlet and six 50mm PVC pipe outlet ports maximise flow rate.

- Independently proven to reduce chemicals and energy costs
- Q360® valve circulates with today's latest energy efficient pumps
- Q360 Performance Plus™ cleaning jets deliver more cleaning distance and more efficiency than ever.





## HYDROCHLOR ST MINERAL CHLORINATORS - RANGE

Part Number	Description	Ref page	Power Packs and Salt cells	NZ List Price	Retail Inc GST
<b>Hydrochlor ST Mineral Chlorinators - with 13 Plates Salt Cells</b>					
25144010	Hydrochlor ST 1000		10	1,600.00	1,840.00
25144015	Hydrochlor ST 1500		15	1,700.00	1,955.00
25144020	Hydrochlor ST 2000	146	20	1,700.00	1,955.00
25144025	Hydrochlor ST 2500	146	25	1,850.00	2,127.50
25144030	Hydrochlor ST 3000	146	30	2,000.00	2,300.00
<b>Hydrochlor ST Mineral Chlorinators - Premium Salt Cells</b>					
25144120	Hydrochlor ST 2000 Premium Salt Cells	146	20	1,850.00	2,127.50
25144125	Hydrochlor ST 2500 Premium Salt Cells	146	25	2,050.00	2,357.50
25144130	Hydrochlor ST 3000 Premium Salt Cells	146	30	2,200.00	2,530.00
6450134	Hydrochlor ST Mineral Chlorinator Power Pack	-		1,150.00	1,322.50
64501340	Hydrochlor ST P/Pack CTN of 4	-		4,350.00	5,002.50

## HYDROCHLOR MKIII MINERAL CHLORINATOR - RANGE

Part Number	Product Description	Ref page	Power Packs and Salt cells	NZ List Price	Retail Inc GST
<b>Hydrochlor MKIII Mineral Chlorinators - with 13 Plates Salt Cells</b>					
25141110	Hydrochlor MKIII 1000		10	1,600.00	1,840.00
25141115	Hydrochlor MKIII 1500		15	1,700.00	1,955.00
25141120	Hydrochlor MKIII 2000	-	20	1,850.00	2,127.50
25141125	Hydrochlor MKIII 2500	-	25	1,950.00	2,242.50
25141130	Hydrochlor MKIII 3000	-	30	2,150.00	2,472.50
<b>Hydrochlor MKIII Mineral Chlorinators - with Premium Salt Cells</b>					
2515420	Hydrochlor ECO 2000 Premium Salt Cell	-	20	2,000.00	2,300.00
2515425	Electrochlor ECO 2500 Premium Salt Cell	-	25	2,150.00	2,472.50
2515430	Electrochlor ECO 3000 Premium Salt Cell	-	30	2,300.00	2,645.00
6450130	Hydrochlor MkIII Power Pack			1,250.00	1,437.50
64501300	Hydrochlor MKIII P/Pack Ctn Of 4			4,350.00	5,002.50

## ELECTROCHLOR ECO MINERAL CHLORINATOR - RANGE

Part Number	Product Description	Ref page	Power Packs and Salt cells	NZ List Price	Retail Inc GST
<b>Electrochlor ECO Mineral Chlorinators - with 13 Plates Salt Cells</b>					
2515310	Electrochlor ECO 1000		10	2,350.00	2,702.50
2515315	Electrochlor ECO 1500		15	2,450.00	2,817.50
2515320	Electrochlor ECO 2000	-	20	2,450.00	2,817.50
2515325	Electrochlor ECO 2500	-	25	2,600.00	2,990.00
2515330	Electrochlor ECO 3000	-	30	2,750.00	3,162.50
<b>Electrochlor ECO Mineral Chlorinators - Premium Salt Cells</b>					
2515420	Electrochlor ECO 2000 Premium Salt Cell	-	20	2,600.00	2,990.00
2515425	Electrochlor ECO 2500 Premium Salt Cell	-	25	2,750.00	3,162.50
2515430	Electrochlor ECO 3000 Premium Salt Cell	-	30	2,950.00	3,392.50
<b>Electrochlor ECO Mineral Chlorinators W/WIFI - with 13 Plates Salt Cells</b>					
2515510	Electrochlor ECO WIFI 1000		10	2,750.00	3,162.50
2515515	Electrochlor ECO WIFI 1500		15	2,850.00	3,277.50
2515520	Electrochlor ECO WIFI 2000	-	20	2,800.00	3,220.00
2515525	Electrochlor ECO WIFI 2500	-	25	2,950.00	3,392.50
2515530	Electrochlor ECO WIFI 3000	-	30	3,100.00	3,565.00
<b>Electrochlor ECO Mineral Chlorinators W/WIFI - Premium Salt Cells</b>					
2515620	Electrochlor ECO WIFI 2000 Premium Salt Cell	-	20	2,950.00	3,392.50
2515625	Electrochlor ECO WIFI 2500 Premium Salt Cell	-	25	3,100.00	3,565.00
2515630	Electrochlor ECO WIFI 3000 Premium Salt Cell	-	30	3,300.00	3,795.00
6450135	Electrochlor ECO Power Pack	-		1,850.00	2,127.50
64501351	Electrochlor ECO WIFI Power Pack	-		2,200.00	2,530.00
3652612	24VAC Power Adaptor (Actuator Valve)	-		159.00	182.85



## ELECTROCHLOR PRO RANGE

Part Number	Description	Ref page	Power Packs and Salt cells	NZ List Price	Retail Inc GST
2515140	Electrochlor PRO Mineral Chlorinator 4000	146	40	3,350.00	3,852.50
2515150	Electrochlor PRO Mineral Chlorinator 5000	146	50	3,600.00	4,140.00
6450136	Electrochlor ECO Pro Power Pack	-		2,100.00	2,415.00



## ELECTROCHLOR PLUS MINERAL CHLORINATOR - RANGE

Part Number	Description	Ref page	Power Packs and Salt cells	NZ List Price	Retail Inc GST
<b>Electrochlor PLUS Mineral Chlorinator - with 13 Plates Salt Cells</b>					
2515721	Eletrochlor Plus 2000	149	20	3,850.00	4,427.50
2515726	Eletrochlor Plus 2500	149	25	3,950.00	4,542.50
2515731	Eletrochlor Plus 3000	149	30	4,100.00	4,715.00
<b>Electrochlor PLUS Mineral Chlorinator - with Premium Salt Cells</b>					
2515821	Eletrochlor Plus 2000 Premium Cell	-	20	3,950.00	4,542.50
2515826	Eletrochlor Plus 2500 Premium Cell	-	25	4,150.00	4,772.50
2515831	Eletrochlor Plus 3000 Premium Cell	-	30	4,300.00	4,945.00
<b>Electrochlor PLUS Mineral Chlorinators W/WIFI - with 13 Plates Salt Cells</b>					
2515720	Electrochlor Plus Wifi 2000	-	20	4,250.00	4,887.50
2515725	Electrochlor Plus Wifi 2500	-	25	4,350.00	5,002.50
2515730	Electrochlor Plus Wifi 3000	-	30	4,500.00	5,175.00
<b>Electrochlor PLUS Mineral Chlorinators W/WIFI - with Premium Salt Cells</b>					
2515820	Eletrochlor Plus Wifi 2000 Premium Salt Cell	-	20	4,400.00	5,060.00
2515825	Eletrochlor Plus Wifi 2500 Premium Salt Cell	-	25	4,550.00	5,232.50
2515830	Eletrochlor Plus Wifi 3000 Premium Salt Cell	-	30	4,700.00	5,405.00
6450137	Electrochlor Plus Power Pack	-		3,250.00	3,737.50
64501372	Electrochlor Plus Wifi Power Pack	-		3,650.00	4,197.50

## WATERCO SALT CELLS

Part Number	Description	Ref page	Power Packs and Salt cells	NZ List Price	Retail Inc GST
<b>Salt Cells (13 Plates - 3 year warranty)</b>					
6449510	Cell Plates & Housing 1000		10	810.00	931.50
6449515	Cell Plates & Housing 1500		15	960.00	1,104.00
6449520	Cell Plates & Housing 2000	-	20	590.00	678.50
6449525	Cell Plates & Housing 2500	-	25	720.00	828.00
6449530	Cell Plates & Housing 3000	-	30	880.00	1,012.00
<b>Premium Salt Cells (13 Plates - 4 year warranty)</b>					
6449920	Cell Plates & Housing 2000 Premium	-	20	740.00	851.00
6449925	Cell Plates & Housing 2500 Premium	-	25	890.00	1,023.50
6449930	Cell Plates & Housing 3000 Premium	-	30	1,050.00	1,207.50
<b>Pro Salt Cells (13 Plates - 3 Year Warranty)</b>					
6449740	Cell Plates & Housing 4000	-	40	1,250.00	1,437.50
6449750	Cell Plates & Housing 5000	-	50	1,500.00	1,725.00
<b>Low Salt Cells (13 Plates - 3 Year Warranty)</b>					
6449752	Cell Plates & Housing Low Salt	-		2,150.00	2,472.50

## POOL SALT

Part Number	Product Description	Ref page	Nominal Size	NZ List Price	Retail Inc GST
35220P	Swimming Pool Salt	-	20 kg	28.40	32.66
352202	Swimming Pool Salt (SA)		20 kg	19.90	22.89



## MINERAL CRYSTALS

Part Number	Product Description	Ref page	Nominal Size	NZ List Price	Retail Inc GST
352423	Mineral Crystals - Spa	150	3kg	25.20	28.98
352421	Mineral Crystals	150	20kg	87.00	100.05
352430	Vitale Starter	-	20kg	150.00	172.50
352422	Mineral Vitale	-	20kg	74.50	85.68
31406	Magnesium Test Strips	-	each	105.00	120.75

## CHEMFLOPLUS WATER MANAGEMENT SYSTEM

Part Number	Product Description	Ref page	NZ List Price	Retail Inc GST
258100	ChemfloPlus Water Management System	150	3,150.00	3,622.50
258102	Squeeze Tube Service Kit	-	475.00	546.25
258300	WD Chemical Doser	-	4,550.00	5,232.50
60125008	Drum 15l Black With Red Cap	-	33.60	38.64
60137308	60L Blue Drum	-	151.00	173.65
60137306	60L White Drum	-	151.00	173.65
60137301	60L Black Drum	-	151.00	173.65

## CHLORINE FEEDERS

Part Number	Product Description	Ref page	NZ List Price	Retail Inc GST
25500	Waterking In-line Tablet Feeder - Bromine/Trichlor	151	217.00	249.55
256000	Floating Tablet Dispenser MK11	151	36.80	42.32

## OZONE SWIM OZONE GENERATOR

Part Number	Product Description	Ref page	NZ List Price	Retail Inc GST
251500561	Ozone Swim 1200i Series	151	2,250.00	2,587.50
251500562	Ozone Swim 1200T (Twin Ozone) Series	151	2,850.00	3,277.50
251500563	Ozone Degas Chamber	151	1,950.00	2,242.50
251500564	Ozone Flood Check Valve	151	215.00	247.25

## WATERCO DIGITAL CHEMICAL DOSER

Part Number	Product Description	Ref page	NZ List Price	Retail Inc GST
258300	Waterco Digital Chemical Doser	-	-	-
25950036	BT Ethernet Module	-	-	-

## OXISWIM DUAL SANITATION SYSTEM

Part Number	Product Description	Ref page	NZ List Price	Retail Inc GST
254006200	Oxiswim Plus Dual Sanitation System	-	7,050.00	8,107.50
254006099	Oxiswim Dual Sanitation System	152	6,300.00	7,245.00
254006100	Oxiswim Control System	-	4,100.00	4,715.00
6450143	Oxiswim Sanitiser	-	780.00	897.00
6449300	Hydroxyl Radicals Generator	-	760.00	874.00
6449752	Plates & Housing Low Salt 2500	-	2,150.00	2,472.50
31480	Palintest OxiSwim 3 in 1 kit (HP, pH, tA)	-	244.00	280.60
940001	Protective Equipment	-	36.80	42.32
3533000	Hydroxyl Catalyst Replacement	-	30.50	35.08

## OXISWIM CONTROLLER SPARES

Part Number	Product Description	Ref page	NZ List Price	Retail Inc GST
60181068	Squeeze Tube Only Pack Of 10	-	252.00	289.80
60181010	Rotor 47-13 Blue	-	212.00	243.80
60181027	Injector Valve ½" 4X6 K&V Series	-	152.00	174.80

OXISWIM







## VITALE PRO - OXIMAX COMMERCIAL CHLORINATOR

Part Number	Product Description	Model	Ref page	Output (g/h)	NZ List Price	Retail Inc GST
<b>Low Salt Range (1,500 - 2,000 ppm)</b>						
2551000	Vitale Pro HV2LS	HV2LS	153	125		
2551001	Vitale Pro HV3LS	HV3LS	153	200		
2551002	Vitale Pro HV6LS	HV6LS	153	350		
2551003	Vitale Pro HV6LS/2	HV6LS/2	153	700		
2551004	Vitale Pro HV6LS/3	HV6LS/3	153	1,050		
2551005	Vitale Pro HV6LS/4	HV6LS/4	153	1,400		
2551006	Vitale Pro HV6LS/5	HV6LS/5	153	1,750		
2551007	Vitale Pro HV6LS/6	HV6LS/6	153	2,100		

Consult with our Commercial Team for sizing and prices

### Medium Salinity (2,000 - 4,000 ppm)

2552000	Vitale Pro HV2MS1	HV2MS1	154	125		
2552001	Vitale Pro HV3MS1	HV3MS1	154	200		
2552002	Vitale Pro HV6MS1	HV6MS1	154	350		
2552003	Vitale Pro HV6MS2	HV6MS2	154	700		
2552004	Vitale Pro HV6MS3	HV6MS3	154	1,050		
2552005	Vitale Pro HV6MS4	HV6MS4	154	1,400		
2552006	Vitale Pro HV6MS5	HV6MS5	154	1,750		
2552007	Vitale Pro HV6MS6	HV6MS6	154	2,100		

Consult with our Commercial Team for sizing and prices

### High Salinity (4,000 - 40,000 ppm)

2553000	Vitale Pro HV2HS1	HV2HS1	154	125		
2553001	Vitale Pro HV3HS1	HV3HS1	154	200		
2553002	Vitale Pro HV6HS1	HV6HS1	154	350		
2553003	Vitale Pro HV6HS2	HV6HS2	154	700		
2553004	Vitale Pro HV6HS3	HV6HS3	154	1,050		
2553005	Vitale Pro HV6HS4	HV6HS4	154	1,400		
2553006	Vitale Pro HV6HS5	HV6HS5	154	1,750		
2553007	Vitale Pro HV6HS6	HV6MS6	154	2,100		

Consult with our Commercial Team for sizing and prices

## LD COMMERCIAL CHEMICAL CONTROLLERS

Part Number	Product Description	Ref page	NZ List Price	Retail Inc GST
259591900	Emec LD Controller Free CL, pH 3L/H (Oximax)	155		
259591920	Emec LD Controller Free CL, pH, Comm 3L/H (Oximax)	155		
259591901	Emec LD Controller 15L/H Free CL, 3L/H pH	155		
259591921	Emec LD Controller 15L/H Free CL, 3L/H pH, 4G	155		



## AQUAMASTER

Part Number	Product Description	Ref page	NZ List Price	Retail Inc GST
85180000	Aquamaster io Pool & Spa Automation Kit	157	3,100.00	3,565.00

## ACCESSORIES

Part Number	Product Description	Ref page	NZ List Price	Retail Inc GST
8518021	LCD colour touch control	157	820.00	943.00
8518022	Weatherproof Enclosure - LCD Touch Control	157	143.00	164.45
851807	Communications Cable (Suits ECO-V 100 & ECO-V 150 Pumps) ECO-V	-	114.00	131.10
851725	Low chlorine cable	-	62.00	71.30

## SMART CONTROLS

Part Number	Product Description	Ref page	NZ List Price	Retail Inc GST	
256670	MV3 Pump Saver	MV3	-	400.00	460.00
256671	MV3 Pump Saver with Power Separator	MV3-PST	-	520.00	598.00
256673	MV3 Pump Saver Power Separator Flow Switch 50mm	MV3-PSFS	-	730.00	839.50
256630870	Multi eClock	MTEC	-	263.00	302.45
8519101	Smart Solar Controller	MS3D	158	700.00	805.00
8519142	Grommet Kit	MS3DG	-	-	-
8519104	Smart Solar Controller Up Down	MS3D-UD	-	700.00	805.00
8519143	Grommet Kit for Up Down	MS3DG-UD	-	-	-
8519102	Pool Temperature Sensor 1.8m	MS-PSENSOR	-	112.00	128.80
8519103	Roof Temperature Sensor 24m	MS-RSENSOR	-	143.00	164.45
8519106	Down Temperature Sensor	MS-DSENSOR	-	137.00	157.55
256630871	ACPS Power Separator	MPS	-	259.00	297.85
2789101	Multi Heater Controller	MH2T	-	700.00	805.00
2789103	Multi Heater Switch Independent	MHS	-	365.00	419.75
2789100	Heater Controller Ascon	MTHC	158	840.00	966.00
2789102	Multi Heater Switch Integrated	MHS-I	-	380.00	437.00



## TURMION® AUTOMATION

Part Number	Product Description	Ref page	NZ List Price	Retail Inc GST
48127	Turmion 2CH 10A Outlet	-	400.00	460.00
48128	Turmion 15A Outlet	-	440.00	506.00
48130	Turmion 8CH Basic Remote	-	180.00	207.00
48132	Turmion 24VAC 2CH Actuator	-	370.00	425.50
48150	Turmion Automation WIFI SW2	159	650.00	747.50
48151	Turmion Automation WIFI SW4	159	850.00	977.50



## POOLTEK AUTOMATION CONTROLLERS

Part Number	Product Description	Ref page	NZ List Price	Retail Inc GST
8519120	Pooltek Automation Controller	-	1,750.00	2,012.50
8519121	Pooltek Expansion Unit 10A	-	510.00	586.50
8519122	Pooltek Expansion Unit 15A	-	550.00	632.50
8519138	Pooltek Expansion Unit 15A + 10A - 15A PLUG	-	620.00	713.00
8519136	Pooltek Expansion Unit 10A with heater contact	-	620.00	713.00
8519137	Pooltek Expansion Unit 15A with heater contact	-	650.00	747.50
8519131	Pooltek Chemical Doser ORP & PH Control Module	-	2,150.00	2,472.50
8519132	Pooltek Chemical Doser PH Control Module	-	1,550.00	1,782.50
8519133	Pooltek Antenna Ext 3m	-	105.00	120.75
8519123	Temp Sensor Hot RS20M TS01P (separate)	-	126.00	144.90
8519124	Temp Sensor Cold PS 2.5M (included)	-	105.00	120.75



## DONTEK AUTOMATION

Part Number	Product Description	Ref page	NZ List Price	Retail Inc GST
8519111	Aquasmart 5 Solar Controller	1012101DT	850.00	977.50
8519112	Aquasmart 5 Current Detection Solar Controller	1012104DT	1,050.00	1,207.50
8519113	Aquasmart 5 Flow Switch Option (Not Incl) Solar Controller	1012103DT	950.00	1,092.50
8519114	Flow Sw Assy 40mm	1071004DT	370.00	425.50
8519115	Flow Sw Assy 50mm	1071005DT	395.00	454.25
8519125	Aquasmart 5RT 2 Pump Control Int System Solar Controller	1012110DT	1,200.00	1,380.00
8519134	Aquasmart 5SV Heater / Solar	1012108DT1	1,650.00	1,897.50
8519126	Aquaheat 5TC	1031012DT	960.00	1,104.00
8519130	Aquaheat H5A	1031002DT	870.00	1,000.50
8519135	Aquaheat 5 Heater Control RO-I	1031006DT	790.00	908.50



## HYDROCHLOR MINERAL CHLORINATOR

Hydrochlor chlorinator works with a standard salt pool and also with Waterco's Mineral Crystals to transform your pool into a therapeutic oasis.

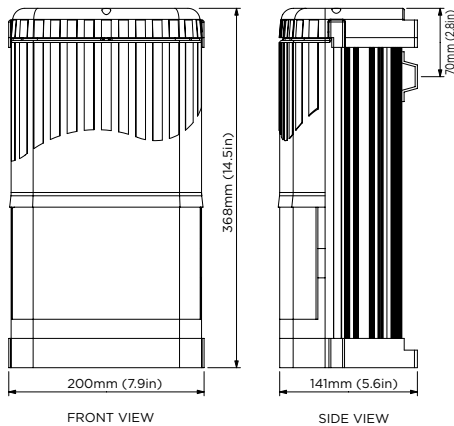
The latest Switch Mode power technology has been incorporated to increase energy efficiency by over 50%, significantly reducing power consumption. Hydrochlor draws less current, which translates to high power conversion and less energy wastage without compromising chlorine output.

Hydrochlor's Power Pack intelligently recognises the connected chlorinator cell's size and automatically adjusts its power output. Hydrochlor's new self-cleaning chlorinator cell features a serial-parallel design that enhances chlorine production whilst requiring less energy.

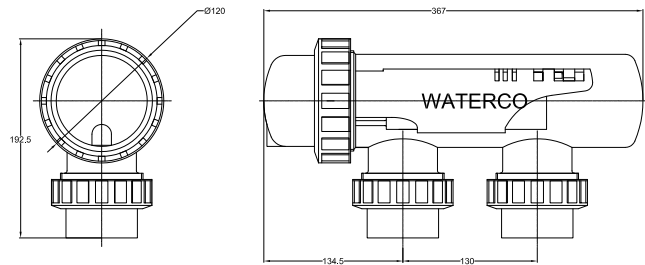
### Features

- Synchronous Timer or with battery backup
- Energy-saving, intelligent, power pack
- Self-cleaning chlorinator cell
- In-built salt and flow protection
- Suitable for both Mineral Crystals and salt pools

### Power Pack Dimensions



### Salt Cell Housing Dimensions (mm)



### Technical Specifications

Model	Chlorine Production (g/hr)	Max Pool Capacity (L) Climate	
		Temperate	Tropical
Hydrochlor ST 2000	20	60,000	48,000
Hydrochlor ST 2500	25	80,000	60,000
Hydrochlor ST 3000	30	100,000	72,000

	2000	2500	3000
Primary Input (Volts) / Frequency (Hz)	170-264V / 47 - 64 Hz	170-264V / 47 - 64 Hz	170-264V / 47 - 64 Hz
Input Power (W)	105	115	130
Output Current (A)	5.4 (DC)	5.8 (DC)	6.0 (DC)
Maximum Total Current (A)	10	10	10
Pump Outlet Maximum (A)	8	8	8
Cell Voltage (V)	21	21	21
Degree of Protection	IP23	IP23	IP23

## HYDROCHLOR ST MINERAL CHLORINATORS - RANGE

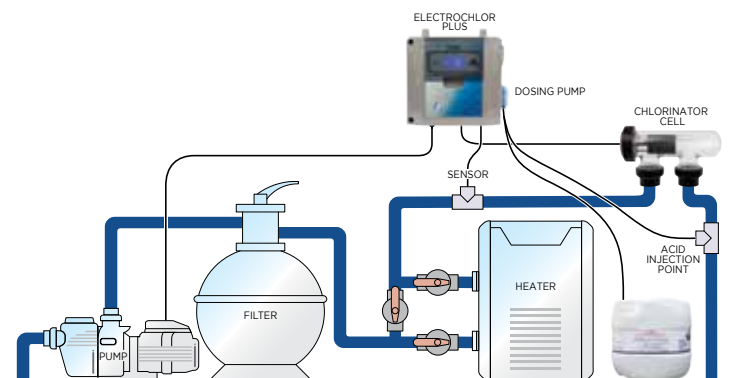
Part Number	Description	Power Packs and Salt cells	NZ List Price	Retail Inc GST
<b>Hydrochlor ST Mineral Chlorinators - with 13 Plates Salt Cells</b>				
25144010	Hydrochlor ST 1000	10	1,600.00	1,840.00
25144015	Hydrochlor ST 1500	15	1,700.00	1,955.00
25144020	Hydrochlor ST 2000	20	1,700.00	1,955.00
25144025	Hydrochlor ST 2500	25	1,850.00	2,127.50
25144030	Hydrochlor ST 3000	30	2,000.00	2,300.00
<b>Hydrochlor ST Mineral Chlorinators - Premium Salt Cells</b>				
25144120	Hydrochlor ST 2000 Premium Salt Cells	20	1,850.00	2,127.50
25144125	Hydrochlor ST 2500 Premium Salt Cells	25	2,050.00	2,357.50
25144130	Hydrochlor ST 3000 Premium Salt Cells	30	2,200.00	2,530.00
6450134	Hydrochlor ST Mineral Chlorinator Power Pack		1,150.00	1,322.50
64501340	Hydrochlor ST P/Pack CTN of 4		4,350.00	5,002.50

# Electrochlor Plus



Electrochlor Plus chlorinator is the perfect way to ensure the safest possible swimming conditions.

Electrochlor Plus has the added ability to safely dose acid or Waterco's Perox pH Control based on an inline sensor, ensuring your pool water is always at its optimum pH level.



Via the Waterco Connect app, you can easily connect to the optional WIFI enabled Electrochlor to control and monitor the following functions:

- Pool temperature display
- Monitor pH level
- Switch on/off pool lights
- Pool pump and auxiliary equipment
- Plus receive pool notifications



## ELECTROCHLOR MINERAL PRO

- Chlorine output of 40 g/hr or 50 g/hr
- Backlit LCD screen with temperature display
- Energy-saving, intelligent power pack
- Self-cleaning chlorinator cell
- Low salt alarm and flow protection
- Variable speed pump and LED light control
- Dual timer controlled power outlets
- Optional valve actuator control
- 13 plates salt cells

### Technical Specifications

Model	Chlorine Production (g/hr)	Max Pool Capacity (L) Climate	
		Non Heated	Heated
Electrochlor Mineral 4000	40	120,000	84,000
Electrochlor Mineral 5000	50	140,000	96,000

Parameter/Model	4000	5000
Primary Input (Volts)/Frequency (Hz)	170-264V/47 - 64 Hz	170-264V/47 - 64 Hz
Input Power (W)	206	239
Output Current (A)	8.5	9.1
Maximum Total Current (A)	10	10
Pump Outlet Maximum (A)	8	8
Cell Voltage (V)	21	21
Degree of Protection	IP23	IP23

## ELECTROCHLOR PRO RANGE

Part Number	Product Description	Power Packs and Salt cells	NZ List Price	Retail Inc GST
2515140	Electrochlor Pro Mineral Chlorinator 4000	40	3,350.00	3,852.50
2515150	Electrochlor Pro Mineral Chlorinator 5000	50	3,600.00	4,140.00
6450136	Electrochlor Eco Pro Power Pack		2,100.00	2,415.00



## ELECTROCHLOR PLUS MINERAL CHLORINATORS

Waterco's Electrochlor Plus Mineral Chlorinator makes your pool smarter by automatically taking care of sanitisation, filtration, pH monitoring and auxiliary equipment, so you don't have to! This one device will monitor and display everything you need to know about your pool in real-time.

Electrochlor Plus (power pack) will have two variants:

- 1) Electrochlor pH: this version will only monitor the pH of the pool/spa
- 2) Electrochlor Plus: this variant will monitor and control the pH of the pool/spa. This power pack includes a dosing pump.

Both power packs feature WIFI communication.

- Intelligent and energy saving
- pH monitoring and control
- Informative LCD
- Low salt alarm and flow protection
- Variable speed pump and LED light control
- Self-cleaning chlorinator cell
- Dual timer-controlled power outlets

Electrochlor Plus comes in two variants:

- 1) Electrochlor pH: pH monitoring only
- 2) Electrochlor Plus: pH monitoring and control

### Electrochlor Plus Technical Specifications

Model	Chlorine Output (g/hr)	Pool Size (L)	
		Temperate	Tropical
20 gr	20	80,000	48,000
25 gr	25	100,000	60,000
30 gr	30	120,000	72,000

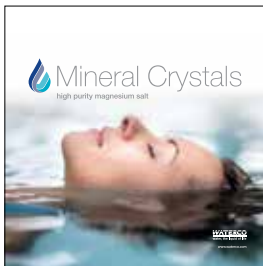
	2000	2500	3000
Primary Input (Volts) / Frequency (Hz)	170-264V/ 47 - 64 Hz	170-264V/ 47 - 64 Hz	170-264V/ 47 - 64 Hz
Input Power (W)	105	115	130
Output Current (A)	5.4 (DC)	5.8 (DC)	6.0 (DC)
Maximum Total Current (A)	10	10	10
Pump Outlet Maximum (A)	8	8	8
Cell Voltage (V)	21	21	21
Degree of Protection	IP23	IP23	IP23

\*Dosing Pump max capacity: 3L/h

These chlorinators are approved and conform to AS3136 Swimming Pool Equipment, as a prescribed article under Australian Registration. These Chlorinators conform to the Australian Electromagnetic Compatibility Standard marked by the C-tick.

### ELECTROCHLOR PLUS MINERAL CHLORINATOR - RANGE

Part Number	Description	Power Packs and Salt cells	NZ List Price	Retail Inc GST
<b>Electrochlor Plus Mineral Chlorinator - with 13 Plates Salt Cells</b>				
2515721	Electrochlor Plus 2000	20	3,850.00	4,427.50
2515726	Electrochlor Plus 2500	25	3,950.00	4,542.50
2515731	Electrochlor Plus 3000	30	4,100.00	4,715.00
<b>Electrochlor Plus Mineral Chlorinator - with Premium Salt Cells</b>				
2515821	Electrochlor Plus 2000 Premium Cell	20	3,950.00	4,542.50
2515826	Electrochlor Plus 2500 Premium Cell	25	4,150.00	4,772.50
2515831	Electrochlor Plus 3000 Premium Cell	30	4,300.00	4,945.00
<b>Electrochlor PLUS Mineral Chlorinators W/WIFI - with 13 Plates Salt Cells</b>				
2515720	Electrochlor Plus WIFI 2000	20	4,250.00	4,887.50
2515725	Electrochlor Plus WIFI 2500	25	4,350.00	5,002.50
2515730	Electrochlor Plus WIFI 3000	30	4,500.00	5,175.00
<b>Electrochlor PLUS Mineral Chlorinators W/WIFI - with Premium Salt Cells</b>				
2515820	Electrochlor Plus WIFI 2000 Premium Salt Cell	20	4,400.00	5,060.00
2515825	Electrochlor Plus WIFI 2500 Premium Salt Cell	25	4,550.00	5,232.50
2515830	Electrochlor Plus WIFI 3000 Premium Salt Cell	30	4,700.00	5,405.00
6450137	Electrochlor Plus Power Pack		3,250.00	3,737.50
64501372	Electrochlor Plus WIFI Power Pack		3,650.00	4,197.50



## MINERAL CRYSTALS

The effectiveness of bathing in magnesium has been documented in the health and wellness industry for decades – and exemplified by the Dead Sea – and now swimmers can experience the same skin soothing properties with Waterco’s new Mineral Crystals.

Working alongside existing water balancing chemicals, this high quality, fast dissolving product not only improves pool water with a blend of naturally occurring minerals but also moisturises your skin as you swim.

### MINERAL CRYSTALS

Part Number	Product Description	Nominal Size	NZ List Price	Retail Inc GST
352423	Mineral Crystals - Spa	Carton of 8	3kg 25.20	28.98
352421	Mineral Crystals	pallet - 36	20kg 87.00	100.05
352430	Vitale Starter	pallet - 36	20kg 150.00	172.50
352422	Mineral Vitale	pallet - 36	20kg 74.50	85.68
31406	Magnesium Test Strips	each	105.00	120.75

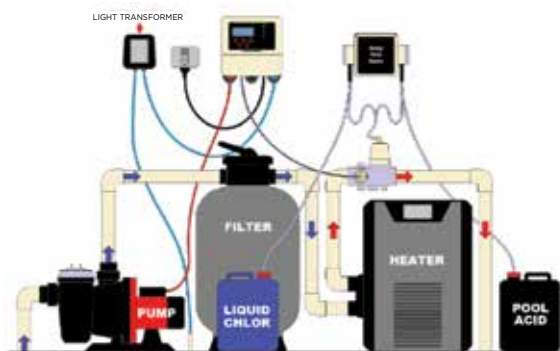
## CHEMFLO PLUS WATER MANAGEMENT SYSTEM



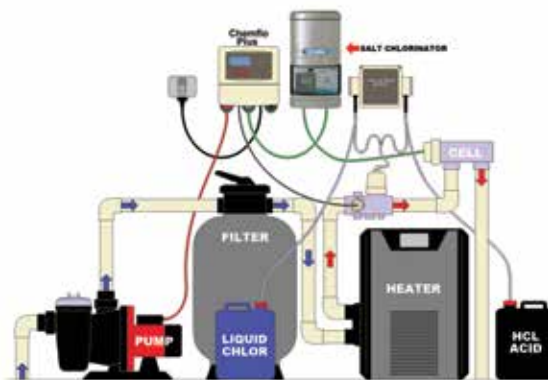
ChemfloPlus continuously analyses your pool water chemistry and accurately sanitises and controls the pool’s pH, keeping your pool water safe and healthy.

The ChemfloPlus automatic control system measures and precisely controls set levels of sanitiser (chlorine) and pH balance (acid) through feedback from inline sensors. This ensures the safest possible swimming conditions. Costs are reduced by minimising chemical use and preventing excessive addition of chemicals that may damage the pool and its equipment.

ChemfloPlus With a Pool Heater and Pool Lights



With a Salt Chlorinator



### CHEMFLOPLUS WATER MANAGEMENT SYSTEM

Part Number	Product Description	NZ List Price	Retail Inc GST
258100	ChemfloPlus Water Management System	3,150.00	3,622.50
258102	Squeeze Tube Service Kit	475.00	546.25
258300	WD Chemical Doser	4,550.00	5,232.50
60125008	Drum 15l Black	33.60	38.64
60137308	60l Blue Drum	151.00	173.65
60137306	60l White Drum	151.00	173.65
60137301	60l Black Drum	151.00	173.65

# Sanitisers



## WATERKING AUTOMATIC TABLET FEEDER

The Waterking Automatic Tablet Feeder is fully adjustable to control the amount of sanitiser that is added to the pool or spa.

By simply filling the container with Giant or Mini Chlorination Tablets or Bromine Sticks, the Waterking will ensure that your chlorine or bromine level is constantly maintained, giving you safe, clear, sparkling water all year round.



## FLOATING TABLET DISPENSER MKII

Designed for use with slow dissolving chlorine or bromine tablets.

- High capacity float chamber
- Easy to use threaded cap

## CHLORINE FEEDERS

Part Number	Product Description	NZ List Price	Retail Inc GST
25500	Waterking In-line Tablet Feeder - Bromine/Trichlor	217.00	249.55
256000	Floating Tablet Dispenser MKII	36.80	42.32



## OZONE SWIM - OZONE GENERATOR

Ozone Swim uses industrial technology scale-down to deliver an innovative line of residential/semi-commercial ozone Generators. Ozone Swim uses corona discharge technology to produce the ozone.

### Features

- Reduce sanitiser consumption (chlorinated pool)
- Reduces chloramines
- Eliminates red eyes and itchy skin
- Environmentally friendly
- Prolongs equipment and saltwater chlorinators cell life
- Improves water clarity - ozone has flocculant properties
- Australian made

## OZONE SWIM OZONE GENERATOR

Part Number	Product Description	NZ List Price	Retail Inc GST
251500561	Ozone Swim 1200i Series	2,250.00	2,587.50
251500562	Ozone Swim 1200T (Twin Ozone) Series	2,850.00	3,277.50
251500563	Ozone Degas Chamber	1,950.00	2,242.50
251500564	Ozone Flood Check Valve	215.00	247.25



## WATERCO DIGITAL CHEMICAL DOSER

### Automated Pool Sanitisation for Complete Peace of Mind

WD Chemical Doser continuously monitors your swimming pool, maintaining optimum sanitiser and pH balance levels.

- It makes your pool maintenance easier
- Designed to control and monitors sanitiser (ORP) and pH balance in swimming pools
- Easy to program
- Large LCD screen that provides all information at a glance

## WATERCO DIGITAL CHEMICAL DOSER

Part Number	Product Description	NZ List Price	Retail Inc GST
258300	Waterco Digital Chemical Doser		
25950036	BT Ethernet Module		



## OXISWIM



### OXISWIM DUAL SANITISATION SYSTEM

Oxi Swim offers the ultimate in pool sanitisation – a silky-smooth freshwater experience and conventional chlorine bathing in one versatile package.

Choose an economy chlorine base for winter months, then ramp up for premium water quality as the sun – and the action – heats up. Finally, you select which mode to use and when to use it within one system.

#### Features

- It can be retrofitted to any existing salt chlorination system
- The pool can be converted to freshwater bathing at any time
- Superior pH control means clearer water and improved cleansing
- Non-fuming chemical prevents atmospheric corrosion in plant rooms
- Inbuilt timer with AUX output streamlines operation
- The chlorine feed system can support salt chlorinator output
- Chlorine can be delivered via Oxi Swim or existing salt chlorinator
- Hydroxyl Radical Generator (HRG) needs no electricity to run and doesn't impact on water flow rates
- Simple installation, operating procedures and maintenance
- Reduces complex calibration and general operating costs

### OXISWIM DUAL SANITISATION SYSTEM

Part Number	Product Description	NZ List Price	Retail Inc GST
254006200	Oxiswim Plus Dual Sanitation System	7,050.00	8,107.50
254006099	Oxiswim Dual Sanitisation System	6,300.00	7,245.00
254006100	Oxiswim Control System	4,100.00	4,715.00
6450143	Oxiswim Sanitiser	780.00	897.00
6449300	Hydroxyl Radicals Generator	760.00	874.00
6449752	Plates & Housing Low Salt 2500	2,150.00	2,472.50
31480	Palintest OxiSwim 3 in 1 kit (HP, pH, tA)	244.00	280.60
940001	Protective Equipment	36.80	42.32
3533000	Hydroxyl Catalyst Replacemen	30.50	35.08

### OXISWIM CONTROLLER SPARES

Part Number	Product Description	NZ List Price	Retail Inc GST
60181068	Squeeze Tube Only Pack Of 10	252.00	289.80
60181010	Rotor 47-13 Blue	212.00	243.80
60181027	Injector Valve ½" 4X6 K&V Series	152.00	174.80

# Sanitisers



## MINERAL VITALE PRO - OxiMax Commercial Chlorinators

OxiMax salt water chlorinator can operate in a wide salinity range from 1,800 ppm to 4,000 ppm, with outputs that go from 160 to 2,800 grams per hour of chlorine (depending on its size), enough to treat pools of up to 5,000kL.

OxiMax's novel salt cell design uses high-velocity flow to remove the scale from the electrode surfaces. Thus, eliminating the need for acid cleaning and reducing risks and intensive labour usually linked to this operation.

### Features

- Suitable for water sanitisation processes in a variety of industries, such as commercial aquatic facilities, aquaculture and potable and waste water disinfection.
- Self-cleaning salt cell and rated to last 4 - 8 years.
- It comes in two versions Standard with an electromechanical controller or Professional, which features an advanced Programmable Logic Controller (PLC).



Water sanitisation processes

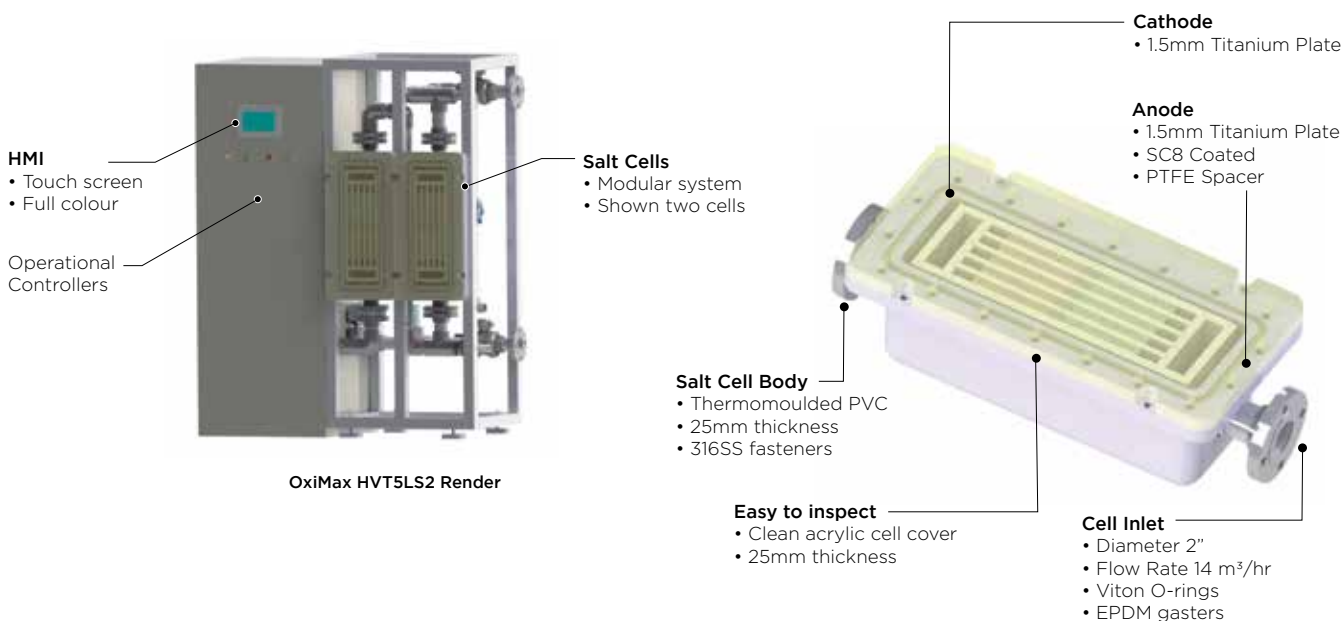


Self-cleaning salt cell



Programmable Logic Controller

Can handle salinity ranges from 1,800 to 40,000 ppm and pool sizes from 220 to 6,000kL.



### LOW SALT RANGE (1,500 - 2,000 ppm)

Part Number	Product Description	Output (g/h)	Max Pool Size (L)	List Price	Price Incl. GST
2551000	Vitale Pro HV2LS	125	150,000	-	-
2551001	Vitale Pro HV3LS	200	240,000	-	-
2551002	Vitale Pro HV6LS	350	420,000	-	-
2551003	Vitale Pro HV6LS/2	700	840,000	-	-
2551004	Vitale Pro HV6LS/3	1,050	1,260,000	-	-
2551005	Vitale Pro HV6LS/4	1,400	1,680,000	-	-
2551006	Vitale Pro HV6LS/5	1,750	2,100,000	-	-
2551007	Vitale Pro HV6LS/6	2,100	2,520,000	-	-

Contact our commercial team for sizing and pricing.

## MEDIUM SALINITY (2,000 - 4,000 ppm)

Part Number	Product Description	Output (g/h)	Max Pool Size (L)	List Price	Price Incl. GST
2552000	Vitale Pro HV2MS1	125	150,000	-	-
2552001	Vitale Pro HV3MS1	200	240,000	-	-
2552002	Vitale Pro HV6MS1	350	420,000	-	-
2552003	Vitale Pro HV6MS2	700	840,000	-	-
2552004	Vitale Pro HV6MS3	1,050	1,260,000	-	-
2552005	Vitale Pro HV6MS4	1,400	1,680,000	-	-
2552006	Vitale Pro HV6MS5	1,750	2,100,000	-	-
2552007	Vitale Pro HV6MS6	2,100	2,520,000	-	-

Contact our commercial team for sizing and pricing.

## HIGH SALINITY (4,000 - 40,000 ppm)

Part Number	Product Description	Output (g/h)	Max Pool Size (L)	List Price	Price Incl. GST
2553000	Vitale Pro HV2HS1	125	150,000	-	-
2553001	Vitale Pro HV3HS1	200	240,000	-	-
2553002	Vitale Pro HV6HS1	350	420,000	-	-
2553003	Vitale Pro HV6HS2	700	840,000	-	-
2553004	Vitale Pro HV6HS3	1,050	1,260,000	-	-
2553005	Vitale Pro HV6HS4	1,400	1,680,000	-	-
2553006	Vitale Pro HV6HS5	1,750	2,100,000	-	-
2553007	Vitale Pro HV6HS6	2,100	2,520,000	-	-

Contact our commercial team for sizing and pricing.



## EMEC LD CONTROLLERS

### Key Features

- Free chlorine reading (in mg/L, i.e. ppm)  
(Meeting any proposed changes in public health guidelines)
- pH control  
(With temperature compensation, if optional temperature sensor fitted)
- Stable and reliable measurement even with low chlorine concentrations values
- Proportional control feed
- Pre-assembled and simple to install
- Multiple inputs and outputs for analogue or digital signals
- Large LCD screen that provides all information at a glance
- Optional remote monitoring
- Variable speed pumps 3-15 lph

	ECL6
<b>Parameter</b>	FREE CHLORINE (ORGANIC AND INORGANIC) / BROMINE
<b>Measuring range</b>	0-10 mg/l (0-10 ppm) resolution: 0.05
<b>Connection</b>	2 wires (+red; -black)
<b>Measuring system</b>	amperometric - 2 electrodes (platinum/copper; on request gold/copper)
<b>Ph working range</b>	6-8 pH
<b>Run-in-time</b>	First polarization: 2 h approx, Next polarization: 50 min. approx
<b>Response time</b>	T <sub>90</sub> : 2 min. approx
<b>Zero point adjustment</b>	See Operating manual: "Calibration"
<b>Alkalinity</b>	100 ppm minimum
<b>Isocyanuric Acid</b>	70ppm max
<b>Working temperature</b>	5-40° C (41-104° F)
<b>Pressure</b>	0.4 - 5 bar (5.8 - 72.5 PSI)
<b>Cable (standard)</b>	2 m (6.6 ft); 1 m if assembled on panel
<b>Working flow</b>	40 l/h approx
<b>Suitable as probe holder for</b>	pH, ORP and optional temperature
<b>Fittings for connection to the sample pipeline</b>	6x8mm tubing
<b>Material</b>	Electrode: platinum/copper Measurement cell: metacrylate (PMMA)
<b>Mounting</b>	On flat vertical surface (panel, support, etc.).
<b>Maintenance</b>	Regular control of the signal SHORTEN THE MAINTENANCE INTERVALS APPROPRIATELY DEPENDING ON WATER QUALITY.

## LD COMMERCIAL CHEMICAL CONTROLLERS

Part Number	Product Description	NZ List Price	Retail Inc GST
259591900	Emec LD Controller Free CL, pH 3L/H (Oximax)		
259591920	Emec LD Controller Free CL, pH, Comm 3L/H (Oximax)		
259591901	Emec LD Controller 15L/H Free CL, 3L/H pH		
259591921	Emec LD Controller 15L/H Free CL, 3L/H pH, 4G		

**WATERCO**  
water, the liquid of life

[www.waterco.com](http://www.waterco.com)



## INTELLIGENT POOL AUTOMATION AND ENERGY MANAGEMENT

Aquamaster allows you to easily control pool, spa and ancillary functions such as pump, lights, heater, spa jets, and water features - all from the convenience of your home.



# Controllers



## AQUAMASTER POOL AND SPA AUTOMATION

Aquamaster allows the owner to easily control pool, spa and ancillary functions such as pump, filter, heater, cleaner, landscape lighting and water features – all from the convenience of their home.

- Fingertip control with the LCD touch panel designed to suit any decor
- Easy to navigate controls for automating and operating filtration equipment
- One touch switching between pool, spa and pool, and spa modes
- Ability to check pool and spa water, outside air temperature on screen
- Reduce power bills through automated management of energy saving equipment
- Reduce heating costs by using solar pool heating before activating conventional heating

### Technical Specifications

Applications	Pool and Spa, Pool only or spa only combinations
Number of 10A switched outlets	5
Number of 15A switched contacts	2
Number of actuated valves operated (heater control)	3
Number of ancillary dry contacts 24V	2
Number of group functions	7
Number of programmable timers	15
Control Waterco three speed pump settings	Yes
Program Waterco multicolour LED light colours	Yes
Manage solar pool heating	Yes

Applications	Pool and Spa, Pool only or spa only combinations
Manage conventional heating	Yes
Solar heating priority over conventional heaters	Yes
Solar and conventional heater extend	Yes
Reduce salt chlorination levels in spa mode	Yes
Control pool heating on integrated or independent hydraulic circuits	Yes
Optional dual LCD control interface	Yes
Freeze protection	Yes
Optional flow sensor	Yes

## AQUAMASTER

Part Number	Product Description	NZ List Price	Retail Inc GST
85180000	Aquamaster io Pool & Spa Automation Kit	3,100.00	3,565.00

## ACCESSORIES

Part Number	Product Description	NZ List Price	Retail Inc GST
8518021	LCD colour touch control	820.00	943.00
8518022	Weatherproof Enclosure - LCD Touch Control	143.00	164.45
851807	Communications Cable (Suits ECO-V 100 & ECO-V 150 Pumps) ECO-V	114.00	131.10
851725	Low chlorine cable	62.00	71.30

# Controllers



## Features and Benefits

- Easy to program and operate
- Winter Mode
- Tropical Mode
- On/Off override
- Easy to read digital display
- Controller predicts the pool temperature while pump is off
- Self-diagnostics and error display

## SMART SOLAR CONTROLLER

The Smart Solar Controller is a set and forget user friendly digital differential temperature controller designed to give energy efficient pool heating from the sun. Once the comfort temperature is selected, the Smart Solar Controller automatically manages your solar pool heating system. The Smart Solar Controller features include delayed start up to allow the filter pump to fully prime, tropical and winter modes and the ability to override the controller, ensuring reliable pool heating.

### Electrical Specification:

The Smart Solar Controller is fitted with an Australian standard 10amp plug and lead.

SPECIFICATIONS	
Power Consumption Operating Voltage	240 Volts AC +/- 10%
Current Consumption	0.02 Amps with pump off
Power Consumption	5 Watts with pump off
Environmental Conditions Operating Temperature Range	0 - 45 Deg C
Operating Humidity Range	95% R.H. non-condensing
Pump Relay	Rated to switch a 1.5 HP 240 volt motor
Housing	UV stabilised plastic
Pool Temperature Sensor	Brass housing with 1.8m UV stabilised sheathed cable
Roof Temperature Sensor	Plastic housing UV stabilised with 24m UV stabilised sheathed cable



## SMART CONTROL

The ultimate do anything range of heating controllers.

For a variety of gas heater, heat pump and combination solar control solutions for your pool or spa.

MTHC Multi Timer Heater Controller

HOW:

- The unit overrides timing when heating is required to maintain temperature in the pool.
- Operates filter pump for filtration but will give priority to heating
- Prevents over chlorination of the pool
- Set up to run the same time as chlorinator

WHY:

- Use with any heat pump
- Features a cool down period for use with gas heat pumps

## SMART CONTROLS

Part Number	Product Description		NZ List Price	Retail Inc GST
8519101	Smart Solar Controller	MS3D	400.00	460.00
8519104	Smart Solar Controller Up Down	MS3D-UD	520.00	598.00
2789100	Heater Controller Ascon	MTHC	730.00	839.50



## TURMION® AUTOMATION

Automation made easy!

The **Turmion®** range allows you to remotely turn on and off any electrical appliance around your home, pool or business.

How it works - any device with a 10Amp power point can be operated remotely. The **Turmion®** standard range allows remote operation via a remote control within 50 metres of your appliance. Available in 10A and 15A. The **Turmion® Pro Wifi** allows you to turn on and off any appliance from anywhere in the world using the AsconSmart app and the location WiFi. Available in 10A and 40A. Simply plug and play!

DESCRIPTION	OUTLETS	TOTAL OUTPUT (Amp)	TIMING	REMOTE	WIFI
Turmion 2CH 10A Outlet	2	10	x	✓	x
Turmion 15A Outlet	1	15	x	✓	x
Turmion Master Controller	2	10	✓	✓	x
Turmion 24vac 2CH Actuator Outlet	2	10	x	✓	x
Turmion 2CH 10A Output + 8CH Basic Remote	2	10	x	✓	x
Turmion Master Controller + 8CH Basic Remote	2	10	✓	✓	x
Turmion Pro Wifi SW2	2	10	✓	x	✓
Turmion Pro Wifi SW4	4	40	✓	x	✓
Turmion 8 CH Basic Remote				x	x

## TURMION® AUTOMATION

Part Number	Product Description	NZ List Price	Retail Inc GST
48127	Turmion 2CH 10A Outlet	400.00	460.00
48128	Turmion 15A Outlet	440.00	506.00
48130	Turmion 8CH Basic Remote	180.00	207.00
48132	Turmion 24VAC 2CH Actuator	370.00	425.50
48150	Turmion Automation WIFI SW2	650.00	747.50
48151	Turmion Automation WIFI SW4	850.00	977.50



# BRITESTREAM MKV

LED LIGHT



Waterco's new BriteLUX Diffuser Lens radiates light throughout the entire circumference of the lens. In fact, the BriteLUX Diffuser Lens improves the light's luminosity by 50 percent.

- Energy saving - operates on 15% of the energy of a halogen
- Long life LEDs
- Universal adaptor plate
- Multi-Voltage, enabling connection to 12, 24 or 32 volt systems.





## LITESTREAM SURFACE MOUNT LED LIGHT

Part Number	Product Description	Ref page	Nominal Size	NZ List Price	Retail Inc GST
263403	LED Underwater Light - White	163	Replacement	315.00	362.25
26601	Litestream Vinyl/Fibreglass Conversion Kit	-		40.00	46.00
266022	UWL Fibreglass above ground mounting kit	-		47.50	54.62
266010	Lite/Britestream Vinyl & Fibreglass conversion kit	-		39.30	45.20



## BRITESTREAM SURFACE MOUNT LED LIGHT

Part Number	Product Description	Ref page	Nominal Size	NZ List Price	Retail Inc GST
2643440	Britestream 240S White MK5 15W	164	15W 20m	415.00	477.25
2643400	Britestream 240S White MK5 15W	164	15W Replacement	350.00	402.50
2643491	Britestream 240S duo LED blue/white	164	15W 20m	47.50	54.62
266022	UWL Fibreglass above ground mounting kit	164	15W Replacement	55.00	63.25



## BRITESTREAM NICHE165 LED LIGHT

Part Number	Product Description	Ref page	Nominal Size	NZ List Price	Retail Inc GST
2644330	Britestream Niche165C White MK5 15W	164	20m	370.00	425.50
2644300	Britestream Niche165C White MK5 15W	164	Replacement	299.00	343.85
264421	Wet Niche Assembly Black	164		59.50	68.43
6501130	Stainless Steel Dress Rim	164		48.50	55.78

## BRITESTREAM SLIM90 FIBREGLASS LED POOL LIGHTS

Part Number	Product Description	Ref page	Nominal Size	NZ List Price	Retail Inc GST
264701	Britestream Slim90 Fibreglass White LED light	165	15W 20m	284.00	326.60
264702	Britestream Slim90 Fibreglass White LED replacement kit	165	15W Replacement	206.00	236.90
264705	Britestream Slim90 Fibreglass Multicoloured LED light	165	15W 20m	385.00	442.75
264706	Britestream Slim90 Fibreglass Multicoloured LED replacement kit	165	15W Replacement	310.00	356.50

## BRITESTREAM SLIM165 FIBREGLASS LED POOL LIGHTS

Part Number	Product Description	Ref page	Nominal Size	NZ List Price	Retail Inc GST
2646240	Britestream Slim165F White MK5	165	15W 20m	410.00	471.50
2646200	Britestream Slim165F White MK5	165	15W Replacement	330.00	379.50

## BRITESTREAM SLIM165 FIBREGLASS LED POOL LIGHT KITS

Part Number	Product Description	Ref page	NZ List Price	Retail Inc GST
264632	Single Light Kit F/G [comprises 1 x 264626 165F Multi Light + 1 x 265011 Transformer]	165	640.00	736.00
264633	Dual Light Kit F/G [comprises 2 x 264626 165F Multi Light + 1 x 265012 Transformer]	165	1,200.00	1,380.00

## LIGHT TRANSFORMERS

Part Number	Product Description	Ref page	Nominal Size	NZ List Price	Retail Inc GST
265011	Transformer 12V 30VA 240V (1 light)	166	30Va / 12 Volts	131.00	150.65
265012	Transformer 12V 60VA 240V (2 LIGHTS)	166	60Va / 12 Volts	193.00	221.95
265032	Transformer - 120Va 12 Volts - Litestream	166	120Va / 12 Volts	189.00	217.35
26505	Transformer - 120Va 12 Volts - hard wired	166	120Va / 12 Volts	275.00	316.25
265060	Transformer - 18Va 12Volts - Britestream	166	18Va / 12Volts	104.00	119.60
650150	Light Retrofit Connector (IP68) -suitable for 6mm & less power cable	-		20.40	23.46
650160	Light Retrofit Connector (IP68) - suitable for 6mm & over power cable	-		30.70	35.31



## AQUA QUIP LED POOL LIGHTS



Part Number	Product Description	Ref page	AQ Code	List Price	Price Incl. GST
<b>QC Surface Mounted</b>					
2643461	S/Mount M/Colour W/M/Bracket 20m		LED004T New Installation	640.00	736.00
2643462	S/Mount M/Colour W/M/Bracket 30m		LED034T New Installation	660.00	759.00
2643421	S/Mount M/Colour RPL Uni/Bracket		LED014T Replacement	550.00	632.50
2643463	S/Mount QUAD/Col W/M/Bracket 20M		LED014T New Installation	610.00	701.50
2643464	S/Mount QUAD/Col W/M/Bracket 30M		LED034Q New Installation	630.00	724.50
2643423	S/Mount QUAD/Col RPL Uni/Bracket		LED014Q Replacement	500.00	575.00
Note: 2643421 & 2643423 (S/Mount M/Colour RPL Uni/Bracket)/Aqua Quip LED014T replaces Waterco Britestream and Litestream Surface Mounted Lights, as well as Stroud Compact 150, Spa Electrics SE3, Poolrite, Swimworld and Aqua-Quip Halogen Lights.					



<b>EvoMAX Niche Concrete</b>					
2644411	Con/Niche M/Col M/Ring 20m P/Kit		WXA004T New Installation	620.00	713.00
2644412	Con/Niche M/Col M/Ring 30m P/Kit		MXA0034T New Installation	650.00	747.50
Note: Aqua-Quip LED Light Includes Mounting Ring, Light and Cable with Plug Kit fitted. Note: Aqua Quip Niche Bucket purchased separate to LED light, Bucket included. Note: The power cable supplied with Aqua Quip Concrete Niche will not fit the Waterco Niche Bucket 264421 (WET NICHE ASSEMBLY BLACK).					

### Niche Bucket

2644211	EVO Max Concrete Niche Kit		MXA060W New Installation	62.50	71.88
Note: Aqua Quip Niche Bucket is sold separate from the LED Light					
2644381	Con/Niche M/Col REPL Light & P/Kit		ASR434T Replacement	510.00	586.50
Note: 2644381 (Con/Niche M/Col REPL Light & P/Kit)/Aqua Quip ASR434T replaces Waterco Britestream Concrete Niche Lights, as well as Spa Electrics WN Series Concrete Niche Lights. Note: Ensure transformer is 12volt AC, with minimum output of 30VA.					
2644382	Con/Niche REPL AQ Light Install		MXA104T Replacement	350.00	402.50
Note: Aqua Quip Replacement Light when Aqua Quip Light and Niche Bucket is the original installation.					



<b>Niche Fibreglass</b>					
2646261	F/Glass Niche MultiColour 20m		ASG004T New Installation	445.00	511.75
2646262	F/Glass Niche MultiColour 30m		ASG024T New Installation	470.00	540.50
Option1:					
2646222	F/Glass Niche REPL AQ		ASG204T Replacement	380.00	437.00
Option 1: Replacement light option for when an Aqua Quip Fibreglass Niche light has been the original installation. This is just a standard Aqua Quip light replacement option ONLY.					
Option2:					
2646221	F/Glass Niche 165F REPL Light Installed		ASG204T Replacement	490.00	563.50
Option 2: Aqua Quip Light "only" when the original install is a Brightstream Slim 165F into Fibreglass Pool.					

### Insta Touch Smart Light Controller

265015	INSTA Touch Smart LED Controller		INS100 New Installation	520.00	598.00
Note: INSTA Touch Smart LED Controller suits all Aqua Quip Lights and Waterco Single & Twin LED Light Transformers installations 265011 (TRANSFORMER 12V 30VA 240V) & 265012 (TRANSFORMER 12V 60VA 240V "2 LIGHTS")					
Note: Waterco single and twin LED pool lights transformers are suitable with all Aqua Quip LED pool lights					

# Underwater Lights



## LITESTREAM SURFACE MOUNT LED LIGHT

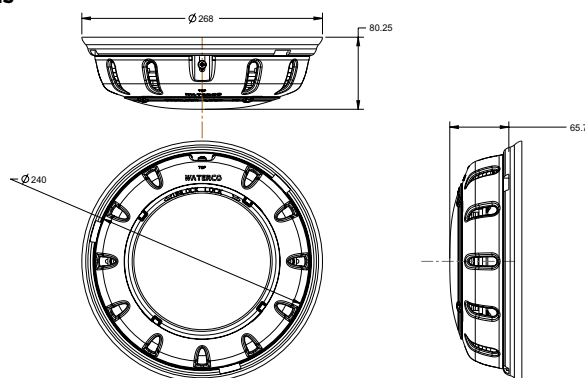
The Litestream LED under water light is modern in looks, and offers a warm white brightness and improved performance in pool coverage through its unique designed hexagonal diamond shaped lens pattern.

- Warm white German LEDs.
- Long life span of over 50,000 hours.
- Universal adaptor plate.
- Dual Voltage, enabling connection to 12 or 24 volt systems.
- Optional blue twist-lock lens.

### Technical Specifications

Zonal Distribution	Power Usage	Input Voltage (New Installation)	Input Voltage (Replacement Light)
0 to 180 degrees	12 Watt	12V AC	12V-24V-32V AC (Multi Voltage)

### Dimensions



## LITESTREAM SURFACE MOUNT LED LIGHT

Part Number	Product Description	Nominal Size	NZ List Price	Retail Inc GST
263403	LED Underwater Light - White	Replacement	315.00	362.25
26601	Litestream Vinyl/Fibreglass Conversion Kit		40.00	46.00
266022	UWL Fibreglass above ground mounting kit		47.50	54.62
266010	Lite/Britestream Vinyl & Fibreglass conversion kit		39.30	45.20



## BRITESTREAM MKV LED LIGHTS

Unlike traditional LED lenses that restrict the light output to unflattering hot spots, Waterco's new BriteLUX Diffuser Lens radiates light throughout the entire circumference of the lens. In fact, the BriteLUX Diffuser Lens improves the light's luminosity by 50 percent in comparison to Waterco's MKIV LED light lens.

Available in new installation kits, and replacement light kits that can be used to upgrade older halogen or LED pool lights, the new BriteLUX lens is engineered to significantly boost colour saturation and increase light transmission.

- Bright German LEDs
- Superior optical properties
- Enhanced colour saturation
- Light diffusing particles for even illumination
- Available in White configurations



# Underwater Lights

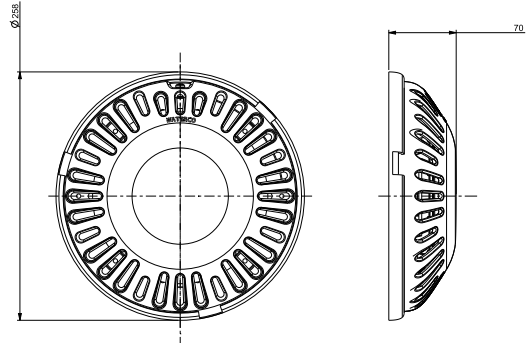


## BRITESTREAM LED LIGHT

Britestream LED Light utilises energy efficient super bright LED's and operates on only 15 to 26 watts of energy.

- Universal light adaptor and easy to use retrofit connector

### Dimensions



### Technical Specifications

Zonal Distribution	Power Usage	Input Voltage (New Installation)	Input Voltage (Replacement Light)
0 to 180 degrees	15 to 26 watts	12V AC	12V-24V-32V AC (Multi Voltage)

## BRITESTREAM SURFACE MOUNT LED LIGHT

Part Number	Product Description	Nominal Size	NZ List Price	Retail Inc GST
2643440	Britestream 240S White MK5 (to be discontinued)	15W 20m	415.00	477.25
2643400	Britestream 240S White MK5 (to be discontinued)	15W Replacement	350.00	402.50
2643491	Britestream 240S duo LED blue/white	15W Replacement	47.50	54.62
266022	UWL Fibreglass above ground mounting kit		55.00	63.25



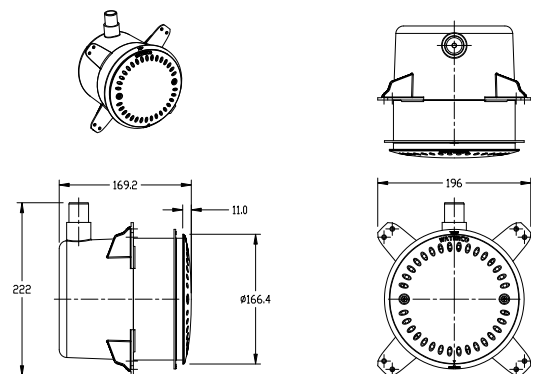
## BRITESTREAM NICHE165 LED LIGHT

Britestream LED light is a flushmounted light which protrudes only 11mm from the pool/spa wall.

Britestream LED Light utilises energy efficient super bright LED's and operates on only 15 to 26 watts of energy.

- Optional Stainless Steel Rim

### Dimensions



### Technical Specifications

Zonal Distribution	Power Usage	Input Voltage
0 to 180 degrees	15 to 26 watts	12V AC



Optional Stainless Steel Rim

## BRITESTREAM NICHE165 LED LIGHT

Part Number	Product Description	Nominal Size	NZ List Price	Retail Inc GST
2644330	Britestream Niche 165C White MK5 (to be discontinued)	15W 20m	370.00	425.50
2644300	Britestream Niche 165C White MK5 (to be discontinued)	15W Replacement	299.00	343.85
264421	Wet Niche Assembly Black		59.50	68.43
6501130	Stainless Steel Dress Rim		48.50	55.78

# Underwater Lights

## BRITESTREAM SLIM90 FIBREGLASS LED POOL LIGHTS



The Britestream Slim90 Fibreglass Niche LED light has been specifically designed for easy installation into fibreglass pools & spas.

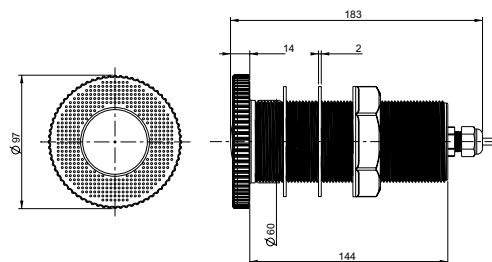
Britestream Slim90 Fibreglass Niche LED lights are great for those hard to light areas of a pool/spa or steps. Britestream Slim90 Fibreglass LED Light utilises energy efficient super bright LED's and operates on only 15 watts of energy.

- Flush mounted with a minimal 14mm projection into pool.
- Super bright LED's capable of delivering 128 lumens (White LED).
- 180° Zonal illumination.
- Operates on only 15% of the electrical power of a halogen light models.

### Technical Specifications

Zonal Distribution	Power Usage	Input Voltage
0 to 180 degrees	15 watts	12V AC

### Dimensions



## BRITESTREAM SLIM90 FIBREGLASS LED POOL LIGHTS

Part Number	Product Description	Nominal Size	NZ List Price	Retail Inc GST
264701	Britestream Slim90 Fibreglass White LED light	15W 20m	284.00	326.60
264702	Britestream Slim90 Fibreglass White LED replacement kit	15W Replacement	206.00	236.90
264705	Britestream Slim90 Fibreglass Multicoloured LED light	15W 20m	385.00	442.75
264706	Britestream Slim90 Fibreglass Multicoloured LED replacement kit	15W Replacement	310.00	356.50



## BRITESTREAM SLIM165 FIBREGLASS LED POOL LIGHTS

The Britestream Fibreglass LED Niche pool light has been specifically designed for easy installation into fibreglass pools and are available in white.

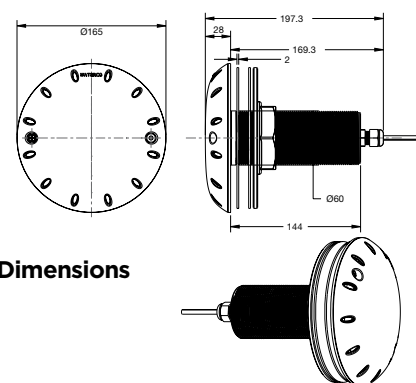
Britestream Fibreglass LED Light utilises energy efficient super bright LED's and operates on only 15 to 26 watts of energy.

- Flush mounted with a minimal 28mm projection into pool.
- Super bright LED's capable of delivering 352 lumens (White LED).
- 180° illumination.
- Operates on only 15% of the electrical power of a halogen light models.

### Technical Specifications

Zonal Distribution	Power Usage	Input Voltage
0 to 180 degrees	15 to 26 watts	12V AC

### Dimensions



## BRITESTREAM SLIM165 FIBREGLASS LED POOL LIGHTS

Part Number	Product Description	Nominal Size	NZ List Price	Retail Inc GST
2646240	Britestream Slim165F White MK5 15W	15W 20m	410.00	471.50
2646200	Britestream Slim165F White MK5 15W	15W Replacement	330.00	379.50

## BRITESTREAM SLIM165 FIBREGLASS LED POOL LIGHT KITS

Part Number	Product Description	NZ List Price	Retail Inc GST
264632	Single Light Kit F/G [comprises 1 x 264626 165F Multi Light + 1 x 265011 Transformer]	640.00	736.00
264633	Dual Light Kit F/G [comprises 2 x 264626 165F Multi Light + 1 x 265012 Transformer]	1,200.00	1,380.00

# Underwater Lights



## TWIN CONNECT LED POOL LIGHT TRANSFORMER 12 VAC 60 VA

The new Twin Connect has some great technical advantages over the Multi Connect transformer, its output has increased from 18VA to 30VA, this increase in output has been specified to match some of the new MK5 LED Pool Lights plus allowing for multiple connection in series (Daisy Chain) of up to 5 x Twin Connect LED Pool Light Transformer, enabling 10 x Waterco LED pool lights to operate and has great protection with IP44 rating.

### Technical Specifications

Product Description	Protecting Rating	Input	Output	Outlets	Amps	Fuse
Single Connect	IP44	230-240 VAC 50Hz	12VAC 30VA	x 1	10	1 x 4A
Twin Connect	IP44	230-240 VAC 50Hz	12VAC 60VA	x 2	10	2 x 4A

### Overall product dimensions

Length	Height	Width	Weight
146mm	150mm	92mm	30VA = 2.5kg / 60VA = 2.75kg

## LIGHT TRANSFORMERS

Part Number	Product Description	Nominal Size	NZ List Price	Retail Inc GST
265011	Transformer 12V 30VA 240V (1 light)	30Va / 12 Volts	131.00	150.65
265012	Transformer 12V 60VA 240V (2 lights)	60Va / 12 Volts	193.00	221.95
265032	Transformer - 120Va 12 Volts - Litestream	120Va / 12 Volts	189.00	217.35
26505	Transformer - 120Va 12 Volts - hard wired	120Va / 12 Volts	275.00	316.25
265060	Transformer - 18Va 12Volts - Britestream	18Va / 12Volts	104.00	119.60
650150	Light Retrofit Connector (IP68) - suitable for 6mm & less power cable		20.40	23.46
650160	Light Retrofit Connector (IP68) - suitable for 6mm & over power cable		30.70	35.31



## PORTABLE SPA POOL SYSTEMS

Part Number	Product Description	Ref page	Nominal Size	NZ List Price	Retail Inc GST
45551404	Portapac Demand - Electronic 10Amp MK4	169	Pump = 1.0hp Heater = 1.6kW	1,900.00	2,185.00
45551414	Portapac Demand - Electronic 15Amp MK4	169	Pump = 1.5hp Heater = 2.4kW	2,150.00	2,472.50



## WATERCO SPA BATH PUMPS

Part Number	Product Description	Ref page	Nominal Size	NZ List Price	Retail Inc GST
2466021	Delta Hot Pump 75 MK2	170	0.75hp	1,450.00	1,667.50



## SPA BLOWERS

Part Number	Product Description	Ref page	Nominal Size	NZ List Price	Retail Inc GST
282400	Airflo Blower	-	900W	760.00	874.00
282401	Whisperair Blower	-	900W	840.00	966.00
282421	Whisperair S Blower (c/w airswitch)	-	900W	1,000.00	1,150.00
282500	Airflo Blower	-	1200W	830.00	954.50
282501	Whisperair Blower	-	1200W	940.00	1,081.00
282521	Whisperair S Blower (c/w airswitch)	-	1200W	1,100.00	1,265.00
S13108A	Hose / tubing for Blower	-	-	52.50	60.38



## DIGIHEAT TITANIUM HEATERS

Part Number	Product Description	Ref page	Nominal Size	NZ List Price	Retail Inc GST
2810240	Digiheat 2.4kW Inline Heater - titanium element	92	2.4kW	1,900.00	2,185.00
2810360	Digiheat 3.6kW Inline Heater - titanium element	92	3.6kW	1,900.00	2,185.00
2810480	Digiheat 4.8kW Inline Heater - titanium element	92	4.8kW	1,950.00	2,242.50
2810600	Digiheat 6.0kW Inline Heater - titanium element	92	6.0kW	2,000.00	2,300.00
2811830	Digiheat 18.0kW Inline Heater - titanium element	92	18.0kW	4,350.00	5,002.50
2812430	Digiheat 24.0kW Inline Heater - titanium element	92	24.0kW	4,700.00	5,405.00

## CONCRETE SPA JETS

Part Number	Product Description	Ref page	Nominal Size	NZ List Price	Retail Inc GST
45530	Concrete Spa Jets comprises:-	-	40mm	54.50	62.68
45365	1 x Venturi "T" with 25mm pipe	-	40mm	36.30	41.75
29101	1 x Eyeball to suit - white	-	CL9/40mm	16.60	19.09
453653	Venturi Nozzle (only)	-	-	9.00	10.35
ASF170	Self Set Air Control - White	-	25mm	36.30	41.75
ASF174	Self Set Air Control - Beige	-	25mm	36.30	41.75
ASF199	Self Set Air Button - White	-	40mm	72.00	82.80
ASF242	Air Injector - White (Salt and Pepper)	-	25mm	20.20	23.23
ASF243	Air Injector - Beige (Salt and Pepper)	-	25mm	20.20	23.23
ASF396	Extended Venturi Jet - White c/w white pool return	-	-	72.00	82.80
ASF14115	Air Switch - (15 AMP) single switch with tubing Compu Pool	-	-	580.00	667.00
ASF010	Single Air Switch (10amp) c/w Tubing	-	-	410.00	471.50
ASF012	Single Air Switch (10amp) c/w Time Clock and Tubing	-	-	610.00	701.50
ASF024	Double Air Switch (10amp) c/w Tubing	-	-	660.00	759.00
ASF026	Double Air Switch (10amp) c/w Time Clock and Tubing	-	-	880.00	1,012.00
82441901	Air Tube 3mmx6m (For Senex Blower & Air Switch)	-	-	49.00	56.35

## WATERCO AIR BUTTON

Part Number	Product Description	Ref page	Nominal Size	NZ List Price	Retail Inc GST
<b>S&amp;P</b>					
ASF202	Air Button Low Profile - White (Other colours available)	-	70mm x 35mm	21.90	25.19
ASF218	Air Button Low Profile - Chrome A.B.S	-	-	32.60	37.49
455102	Flush Air Button - White	-	55mm	23.60	27.14

## INGROUND / PORTABLE SPA AIR SYSTEM COMPONENTS

Part Number	Product Description	Ref page	Nominal Size	NZ List Price	Retail Inc GST
ASP215	S & P Air Injector White (Top, Body & Clamp)	-	-	9.30	10.70
AC655	Adaptor Bush for Manifold	-	-	2.70	3.11
ACT045	End Cap for Manifold	-	-	3.10	3.57





## AIR CONTROLS

Part Number	Product Description	Ref page	Nominal Size	NZ List Price	Retail Inc GST
S&P					
ASF102	Standard Air Control - White (Other colours available)	-		15.10	17.37

## AIR BLEED VALVE

Part Number	Product Description	Ref page	Nominal Size	NZ List Price	Retail Inc GST
Waterco					
45242	Air Bleed Valve - White Threaded	-	25mm	12.80	14.72

## MICRO JETS

Part Number	Product Description	Ref page	Nominal Size	NZ List Price	Retail Inc GST
ASF170	Air Control Self Set (white)	-		36.30	41.75

## SPA JETS, SELF DRAINING SPA BATH JETS, JET BODIES

Part Number	Product Description	Ref page	Nominal Size	NZ List Price	Retail Inc GST
S&P					
AS&P400	Compact Jet Body 25mm	-		14.10	16.22
	Double Manifold for Adjustable Faceplates				
	25mm Water, 9mm barbed Air for Adjustable Faceplates				

## JET FACEPLATES

Part Number	Product Description	Ref page	Nominal Size	NZ List Price	Retail Inc GST
S&P					
ASF272	Ultra Standard Faceplate (Suits ASF390)	-		23.60	27.14

## PVC ADAPTORS & CAPS

Part Number	Product Description	Ref page	Nominal Size	NZ List Price	Retail Inc GST
ASP057	Socket to Flexi Adaptor Barb 1" x 3/4"	-		3.70	4.26

## MANIFOLDS & FITTINGS

Part Number	Product Description	Ref page	Nominal Size	NZ List Price	Retail Inc GST
AC655	Air Manifold Reducing Bush	-		2.70	3.11
ASP521	Cap for 19mm barb			2.20	2.53

## TURBO JETS

Part Number	Product Description	Ref page	Nominal Size	NZ List Price	Retail Inc GST
Adjustable Turbo Jets Complete					
AS&P399	19mm x 9mm barbed body	-		33.40	38.41
ASF440	Adjustable Turbo Jets Complete - Fibreglass			33.40	38.41

## SUCTIONS - S&P

Part Number	Product Description	Ref page	Nominal Size	NZ List Price	Retail Inc GST
ASP211	Adjustable Turbo Jets Complete				
ASF480	Supa Suction 40mm - White (Other colours avail.) - Threaded	-		33.40	38.41
	(Other colours available)			33.40	38.41

## SPA SUCTION FITTINGS AND SKIMMERS - continued

Part Number	Product Description	Ref page	NZ List Price	Retail Inc GST
S&P				
ASF523	Suction with back nut, glue fit 40mm - White	-	22.60	25.99
ASF080	Strip Skimmer - White*	-	41.00	47.15

## SPECIALTY SPA FITTINGS

Part Number	Product Description	Ref page	NZ List Price	Retail Inc GST
S&P				
ASF272	Ultra Std Faceplate White	-	23.60	27.14
ASF274	Ultra Pool Return	-	18.00	20.70
ASF612	Spa Tee 40mm x 25mm x 25mm	-	7.00	8.05
AC700	Internal End Cap 25mm	-	2.10	2.42
AC703	Internal End Cap 40mm	-	3.10	3.57

# Spa Equipment and Accessories



## SPA FILTRATION

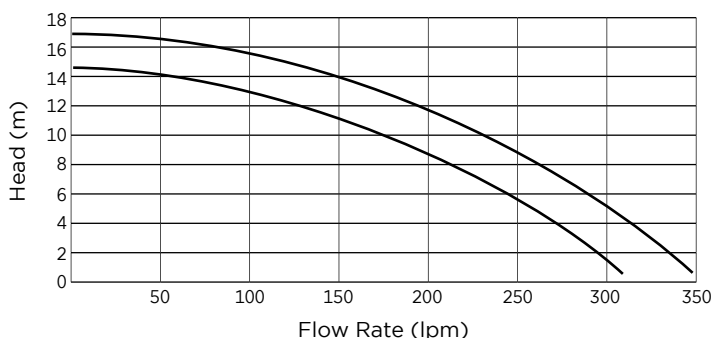
Backyard spas are becoming increasingly popular for the lifestyle, fitness and relaxation benefits they offer. From a portable spa to be enjoyed with friends and family, to working out in the latest dual zone swim spa, spas have evolved to become a great alternative or addition to the traditional family pool.

Waterco offers a range of high quality spa equipment and accessories, from pumps and heaters to blowers and lights.



## PORTAPAC SPA POOL SYSTEMS

Portapac's are centrifugal spa pool pumps with built-in electric heaters and electronic controls. The Portapac circulates water through the spa jets as well as heating the water.

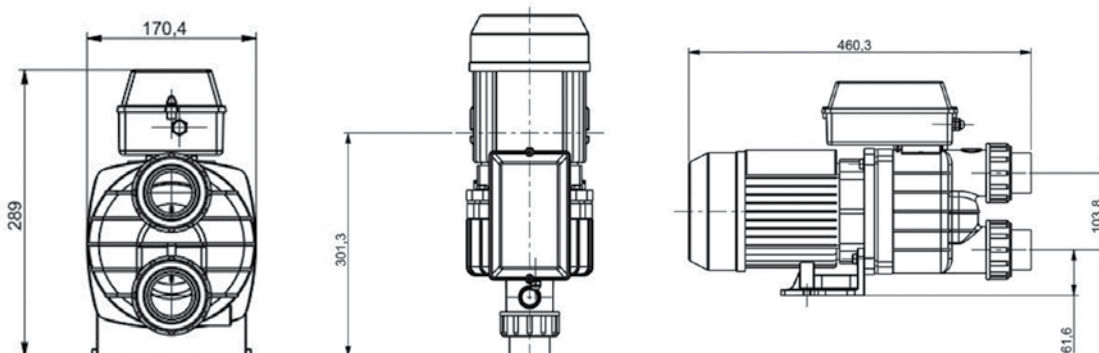


Model	Unit Rated Amps	Motor Amps	HeaterAmps	No. of Jets	Heat Constant
Demand	10	3.6	6.7	4-6	4.4*
Demand Elite	15	4.8	10	6-8	2.9*

\* Based on ideal heating with NO heat loss from the spa Heat Constant is the time taken to heat 100 Ls by 1°C

TIME = HEAT CONSTANT X SPA SIZE IN LS X REQUIRED TEMP RISE / 100  
 E.G. TIME TO HEAT A 1700LTS SPA BY 5°C WITH AN SSC AIR 15A  
 TIME = 2.9 X 1700 X 5 / 100  
 = 246.5 MINUTES

### Dimensions



### Warranty

Portapac Spa Pool Systems are covered by Waterco's comprehensive 12 month warranty.

## PORTABLE SPA POOL SYSTEMS

Part Number	Product Description	NominalSize	NZ List Price	Retail Inc GST
45551404	Portapac Demand - Electronic 10Amp MK4	Pump = 1.0hp Heater = 1.6kW	1,900.00	2,185.00
45551414	Portapac Demand - Electronic 15Amp MK4	Pump = 1.5hp Heater = 2.4kW	2,150.00	2,472.50



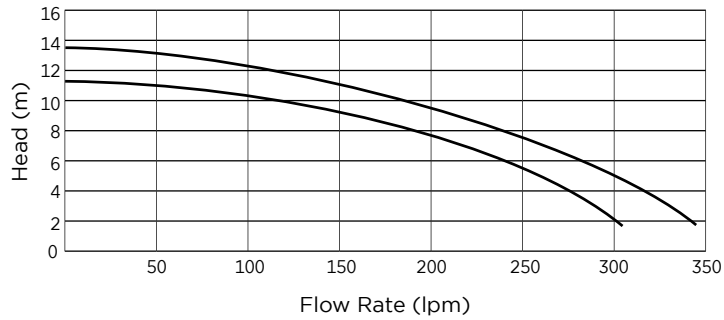
ASF202

The Delta Pump is easily activated by a fashionable air switch.

## DELTA HOT PUMPS

The Delta Hot Pump range combines high technology pump design with modern motors to produce a compact and efficient pump. Delta Hot Pumps can be easily installed in the tightest situation.

- Streamlined compact design.
- Choice of models for most bath sizes.
- Accessories available.
- Flexible unions, Air Switches and Air relief valves supplied as standard.
- Quiet, safe and reliable operation.
- Australian designed and manufactured.
- Complies with Australian/New Zealand Standards AS/NZS 3136



### Technical Specifications

Model	Pump		Heater		No. of Jets	Dimensions (mm)			Heat Constant
	Amps	Watts	Amps	Watts		H	W	L	
Delta Hot 50	2.6	620W	6.5	1.6kW	3-4	260	185	475	4.4*
Delta Hot 75	3.6	860W	6.5	1.6kW	5-6	260	185	475	4.4*

## WATERCO SPA BATH PUMPS

Part Number	Product Description	Nominal Size	NZ List Price	Retail Inc GST
2466021	Delta Hot Pump 75 MK2	0.75hp	1,450.00	1,667.50

## CHEMICAL START UP KITS

Part Number	Product Description	Carton Qty	List Price	Price Incl. GST
6509000	Aquahealth Start Up Kit (except WA)		187.00	215.05
6509001	Aquahealth Start Up Kit (WA only)		148.00	170.20



## WATER TEST BOTTLES

Part Number	Product Description	Carton Qty	List Price	Price Incl. GST
99006	Aquahealth Water Test Bottles	150	1.10	1.27



## WATER PROTECTORS

Part Number	Product Description	Ref page	Nominal Size	Carton Qty	NZ List Price	Retail Inc GST
34005	Ultra Shock	178	500g	12	28.10	32.32
34004	Ultra Shock	178	1kg	12	48.70	56.01
34006	Ultra Shock	178	5kg	3	192.00	220.80
34702	Granular Pool Chlorine	178	2kg	6	45.30	52.10
34704	Granular Pool Chlorine	178	4kg	4	88.00	101.20
34710	Granular Pool Chlorine	178	10kg	1	155.00	178.25
34740	Granular Pool Chlorine	178	40kg		485.00	557.75
349028	Liquid Pool Chlorine	179	5ltr	each	26.60	30.59
34202	Chlorine Concentrate	179	2kg	6	59.00	67.85
34204	Chlorine Concentrate	179	4kg	4	97.00	111.55
34210	Chlorine Concentrate	179	10kg	1	179.00	205.85
34305	Stabilised Tablets - 1kg	179	5 pack	12	34.50	39.68
34310	Stabilised Tablets - 2kg	179	10 pack	6	57.00	65.55
34350	Stabilised Tablets - 10kg	179	50 pack		259.00	297.85
34806	Instant Shock & Sanitiser	180	500g	10	22.90	26.34
34802	Instant Shock & Sanitiser	180	1kg	6	37.00	42.55
34803	Instant Shock & Sanitiser	180	2kg	6	69.50	79.93
34805	Instant Shock & Sanitiser	180	10kg	1	340.00	391.00
34788	Chlorine Concentrate Plus	180	1kg	6	39.90	45.89
34789	Chlorine Concentrate Plus	180	2kg	6	71.50	82.23
34791	Chlorine Concentrate Plus	180	4kg	4	141.00	162.15
34792	Chlorine Concentrate Plus	180	10kg	1	315.00	362.25



## SUNSCREEN / STABILISER

Part Number	Product Description	Ref page	Nominal Size	Carton Qty	NZ List Price	Retail Inc GST
34711	Sunscreen	181	1kg	16	20.40	23.46
34712	Sunscreen	181	2kg	8	32.70	37.61
34713	Sunscreen	181	3kg	6	45.20	51.98
34714	Sunscreen Tabs 1kg	-	2x 500g	12	14.20	16.33
34717	Sunscreen Tabs 2kg	-	2x 500g	6	26.50	30.48



## CLARIFIERS

Part Number	Product Description	Ref page	Nominal Size	Carton Qty	NZ List Price	Retail Inc GST
34734	Ultra Clear Cubes (Display Carton)		3-pack	24		
34800	Maxi Clear Tabs Service Carton	181	125g	80	420.00	483.00
34801	Maxi Clear Tabs DisplayCarton	181	125g	20	111.00	127.65
34732	Aquashine Cubes	-	50g	24	14.70	16.91
34722	Aquashine Plus	182	1 litre	12	35.20	40.48
34723	Aquashine One Shot [minimum 12]	182	200ml	12	11.80	13.57
34742	Granular Floc	-	2kg	12	21.80	25.07
34784	Liquid Floc & Clarifier	182	1 litre	12	48.30	55.55





## ALGAECIDES

Part Number	Product Description	Ref page	Nominal Size	Carton Qty	NZ List Price	Retail Inc GST
34561	Ultra Algaecide	183	2.5L	6	48.60	55.89
34781	Ultra Algaecide	183	5L	4	94.00	108.10
34505	Pool Algaecide	183	1L	12	48.50	55.78
34560	Metal Free Algaecide & Clarifier		1L	12	47.70	54.86
34550	Maintenance Algaecide	183	500ml	12	29.90	34.39
34555	Maintenance Algaecide	183	1L	12	48.30	55.55
34563	Algae Guard		500mL	6		
34420	Blackspot Granular Algaecide	184	1kg	6	48.60	55.89
34522	Starver M	184	1 L	12	41.20	47.38
34523	Starver M	184	2.5L	6	82.50	94.88
34531	Starver X	185	1L	12	57.00	65.55
34810	Nilphos Plus	185	500mL	12	21.40	24.61
34812	Nilphos Plus 1L		1L	6		



## POOL RESTORERS

Part Number	Product Description	Ref page	Nominal Size	Carton Qty	NZ List Price	Retail Inc GST
34783	No more Ducks	186	5L	4	51.00	58.65
34770	Stain Remover	186	1kg	6	41.20	47.38
34776	Metals Control & Condition	187	1L	6	66.00	75.90
34765	No More Foam	-	500mL	12	25.70	29.56



## POOL MAINTENANCE

Part Number	Product Description	Ref page	Nominal Size	Carton Qty	NZ List Price	Retail Inc GST
34744	Aquaguard	188	1L	12	36.90	42.44
34780	Salt Cell Protek	188	5kg	4	31.20	35.88
34743	Pool Clear & Clean	189	1L	6	34.30	39.45
34795	Salt Cell Cleaner	189	5L	4	44.20	50.83
34764	Solar Shield	187	1L	12	76.00	87.40
34796	Natural Filter Cleaner	190	1L	6	48.90	56.24
34807	BioClean	190	1L	12	53.00	60.95



## BALANCING CHEMICALS

Part Number	Product Description	Ref page	Nominal Size	Carton Qty	NZ List Price	Retail Inc GST
34642	Alkalinity Increaser (Bi-Carb)	191	2kg	8	16.60	19.09
34644	Alkalinity Increaser (Bi-Carb)	191	4kg	4	27.00	31.05
34646	Alkalinity Increaser (Bi-Carb)	191	10kg	2	62.00	71.30
34651	Hardness Increaser (Cal-Chloride)	191	1kg	16	14.20	16.33
34652	Hardness Increaser (Cal-Chloride)	191	2kg	9	20.00	23.00
34654	Hardness Increaser (Cal-Chloride)	191	4kg	4	31.60	36.34
34658	Hardness Increaser (Cal-Chloride)	191	8kg	2	52.00	59.80
34612	pH Increaser (Soda Ash)	192	2kg	12	18.50	21.28
34621	pH Decreaser Granular	192	1kg	12	15.60	17.94
34623	pH Decreaser Granular	192	3kg	6	31.10	35.77



## SPA CHEMICALS

Part Number	Product Description	Ref page	Nominal Size	Carton Qty	NZ List Price	Retail Inc GST
3490005	Spa Shock		500g	8	25.00	28.75
349060	Spa Bromine Tablets		500g	12	47.30	54.40
349061	Spa Bromine Tablets	193	1kg	6	64.00	73.60
349062	Spa Bromine Tablets	193	2kg	6	109.00	125.35
342005	Spa & Pool Chlorine	194	500g	8	18.30	21.05
342100	Spa & Pool Chlorine	194	1kg	6	43.50	50.03
346005	Alkalinity Increaser	194	500g	8	12.30	14.15
3490615	Spa Start-up & Balance	194	1.5kg	6	42.90	49.34
3490805	pH Decreaser		500g	8	26.50	30.48

**AQUAHEALTH OXIDISERS**

Part Number	Product Description	Nominal Size	NZ List Price	Retail Inc GST
34740	Super 700	40kg	485.00	557.75
34220	Chlorine Concentrate	20kg	420.00	483.00
34350	Giant Tabs - 200gm - 10kg	50 pack	259.00	297.85

**AQUAHEALTH SPECIALTY CHEMICALS**

Part Number	Product Description	Nominal Size	NZ List Price	Retail Inc GST
34715	Sunscreen	25kg	229.00	263.35
347260	Aquashine Plus	20L	465.00	534.75
347270	Aquashine Pro (Premium Strength)	20L	710.00	816.50
34556	Maintenance Algaecide	20L	510.00	586.50
34562	Metal Free Algaecide	20L	710.00	816.50
34557	Ultra Algaecide	20L	350.00	402.50
34559	STARVER® X	20L	890.00	1,023.50
34524	Starver M	20L	530.00	609.50
34813	Nilphos Plus	20L	540.00	621.00
34814	PhosFree Max Tablets - Service pack	80 Tabs		
34745	Aquaguard	20L	550.00	632.50
34716	Fast Dissolving Stabilizer (sunscreen)	25kg	320.00	368.00
34747	Pool Clear & Clean	20L	570.00	655.50
34748	Natural Filter Cleaner	20L	750.00	862.50
34808	BioClean 20L	20L	760.00	874.00
34511	No More Ducks	20L	173.00	198.95
34763	Liquid Flocc & Clarifier	20L	760.00	874.00

**AQUAHEALTH BALANCING CHEMICALS**

Part Number	Product Description	Nominal Size	NZ List Price	Retail Inc GST
34650	Alkalinity Increaser (Bi-Carb)	25kg	113.00	129.95
35658	Hardness Increaser (Cal-Chloride)	25kg	94.00	108.10
6508025	Granular pH Decreaser (Dry Acid) (Bulk Pack)	25kg	102.00	117.30

**AQUAHEALTH SPA CHEMICALS**

Part Number	Product Description	Nominal Size	NZ List Price	Retail Inc GST
3490110	Spa Bromine Tablets	10kg	380.00	437.00

## ULTIMATE WATER MANAGEMENT RANGE FOR SPAS



Part Number	Product Description	Ref page	Nominal Size	Carton Qty	NZ List Price	Retail Inc GST
348122	Poppit Start Up Kit	196	Each	1	300.00	345.00
348708	Spa Poppit Spa Sanitiser	196	5L	3	89.00	102.35
348707	Spa Poppit Spa Sanitiser	196	15L	1	177.00	203.55
348388	Peroxsil 395 1L	196	1L	10	49.00	56.35
348389	Peroxsil 395 5L	196	5L	3	120.00	138.00
348392	Peroxsil 395 15L	196	15L	1	277.00	318.55
348104	Poppit 1 Step Water Prep	196	1L	6	44.00	50.60
348106	Poppit 1 Step Water Prep	196	2.5L	4	67.00	77.05
348108	Poppit 1 Step Water Prep	196	5L	3	107.00	123.05
348116	Poppit Spa Complete Pool & Spa Maintenance	-	1L	10	66.00	75.90
348114	Poppit Peroxsil Start Up Kit	-	Each	1	292.00	335.80

## WATER BALANCERS



Part Number	Product Description	Ref page	Nominal Size	Carton Qty	NZ List Price	Retail Inc GST
348321	Poppit Water Balance	196	500g	12	18.00	20.70
348318	Poppit Water Balance	196	1kg	6	29.00	33.35
348313	Poppit Spa Cal Hardener	196	500g	12	28.00	32.20
348315	Poppit pH Reducer	197	750g	12	36.00	41.40

## WATER CLARIFIERS



Part Number	Product Description	Ref page	Nominal Size	Carton Qty	NZ List Price	Retail Inc GST
348401	Poppits Clarifier	197	1L	6	50.00	57.50
348804	Poppit Quick Fix	197	475g	12	33.00	37.95
348801	Poppit Quick Fix	197	1kg	6	61.00	70.15

## MAINTENANCE TREATMENTS



Part Number	Product Description	Ref page	Nominal Size	Carton Qty	NZ List Price	Retail Inc GST
348101	Poppit Filter Cartridge Cleaner	198	1kg	6	69.00	79.35
348120	Poppit Spa Pipe Degreaser	198	500mL	12	72.00	82.80

## KITS & STRIPS



Part Number	Product Description	Ref page	Nominal Size	Carton Qty	NZ List Price	Retail Inc GST
348913	Poppit 4 Way Test Strips	198	each	12	69.00	79.35
348910	Poppit Phosphate Test Strips	198	each	6	78.00	89.70
348907	4 in 1 Test Strips (Insta)	-	each	6	52.00	59.80
348915	Peroxsil Test Strips (50 strips)	-	each	6	65.00	74.75

## SWIM SPA & POOL PRODUCTS

Part Number	Product Description	Ref page	Nominal Size	Carton Qty	NZ List Price	Retail Inc GST
348115	Poppit Peroxsil Swim Spa Start Up Pack	-	each	1	430.00	494.50
348108	Poppit 1 Step Water Prep	-	5L	3	107.00	123.05
348118	Poppit Spa Complete Pool & Spa Maintenance	-	5L	3	206.00	236.90

## SUNDRIES

Part Number	Product Description	Ref page	Nominal Size	Carton Qty	NZ List Price	Retail Inc GST
960060	Poppits Auto Dosing Pump	-	each			

## SUNDRIES

Part Number	Product Description	Ref page	Nominal Size	Carton Qty	NZ List Price	Retail Inc GST
940001	Protective equipment	-	each	6	36.80	42.32
348130	Poppit Measure Jug	-	each	6	45.00	51.75
348135	Drum Cap Tap	-	each	6	102.00	117.30
348132	Drum Cap Spanners - 58mm	-	each	6	101.00	116.15
7010003	Watercare cap spanner - 15/20 litre - 58/63mm	-	each	6	40.10	46.12
2484501	V Pump	199	each	12	590.00	678.50
2484500	V Pump	199	each	1	60.00	69.00
60181050	Rotary Drum Pump	-	each	1	560.00	644.00
348151	Drum cap adaptor with seal	-	each	1	9.00	10.35



## SPA SAFE

Part Number	Product Description	Ref page	Nominal Size	Carton Qty	NZ List Price	Retail Inc GST
348710	Spa Safe Measure bottle 1 LTR Filled	-	1 L	each	55.00	63.25
348715	Spa Safe Measure 5 LTR bottle	-	5 L	each	158.00	181.70
348712	Spa Safe Measure 15 LTR	199	15L	each	289.00	332.35
930085	Spa Safe Printed Tape	-	1	each	32.00	36.80
960043	Tent Cards	-	200	200	111.00	127.65

## PEROX CHEMICALS

Part Number	Product Description	Ref page	Nominal Size	Carton Qty	NZ List Price	Retail Inc GST
348340	Perox Safe & Clear	-	500g	12	76.00	87.40
348394	Perox pH Control	-	5L	4	38.20	43.93
348395	Perox pH Control	199	15L	1	105.00	120.75
348700	Perox PRO 20L Chlorine Free	-	20L		160.00	184.00
348376	Perox Activate	-	1 L	36	48.00	55.20
348272	Perox Perfect	-	15L		173.00	198.95
348210	Perox Start Up	-	2L		120.00	138.00

## C-5 CHLORINE DIOXIDE

Part Number	Product Description	Ref page	Nominal Size	Carton Qty	NZ List Price	Retail Inc GST
34450	C-5 Chlorine Dioxide 10kg	-	10kg		1,300.00	1,495.00
34811	C-5 Chlorine Dioxide 2kg	-	2kg		320.00	368.00



## WATER PROTECTORS (Pool Range)

Part Number	Product Description	Ref page	Nominal Size	Carton Qty	NZ List Price	Retail Inc GST
386102	Pool Sanitiser 700	-	2kg	6	45.30	52.10
386104	Pool Sanitiser 700	-	4kg	4	88.00	101.20
3861010	Pool Sanitiser 700	-	10kg	1	155.00	178.25
3861040	Pool Sanitiser 700	-	40kg	1	485.00	557.75
386112	Stabilised Sanitiser		2kg	6	59.00	67.85
386114	Stabilised Sanitiser		4kg	4	97.00	111.55
3861110	Stabilised Sanitiser		10kg	1	179.00	205.85
3861120	Stabilised Sanitiser		20kg	1	420.00	483.00
386121	Stabilised Chlorine Tablets with UV Protection		1kg	12	34.50	39.68
386122	Stabilised Chlorine Tablets with UV Protection		2kg	6	57.00	65.55
3861210	Stabilised Chlorine Tablets with UV Protection		10kg	1	259.00	297.85
386151	Granular Chlorine & Conditioner		1kg	6	39.90	45.89
386152	Granular Chlorine & Conditioner		2kg	6	71.50	82.23
386154	Granular Chlorine & Conditioner		4kg	4	141.00	162.15
3861510	Granular Chlorine & Conditioner		10kg	1	315.00	362.25
386140	Instant Pool Shock & Sanitiser		500g	12	22.90	26.34
386141	Instant Pool Shock & Sanitiser		1kg	6	37.00	42.55
386142	Instant Pool Shock & Sanitiser		2kg	6	69.50	79.93
3861410	Instant Pool Shock & Sanitiser		10kg	1	340.00	391.00

## WATER CLARIFIERS (Pool Range)

Part Number	Product Description	Ref page	Nominal Size	Carton Qty	NZ List Price	Retail Inc GST
386601	Water Polisher - Tablets 5x25g	-	Box	80	420.00	483.00
386602	Water Polisher - Tablets 5x25g Display Box	-	Box	20	111.00	127.65
386611	Water Clarifier	-	1 litre	12	35.20	40.48
386612	Water Clarifier One Dose	-	200mL		11.80	13.57
386621	Liquid Flocculant and Clarifier	-	1 litre	12	48.30	55.55
386622	Granular Flocculant and Clarifier		2kg	8	21.80	25.07
3866120	Water Clarifier		20 litre		465.00	534.75

## ALGAE CONTROL (Pool Range)

Part Number	Product Description	Ref page	Nominal Size	Carton Qty	NZ List Price	Retail Inc GST
386301	All purpose Algaecide		1 litre	12	48.50	55.78
386311	Maintenance Algaecide		1 litre	12	29.90	34.39
3863120	Maintenance Algaecide		20 litre	1	510.00	586.50
386321	Black Spot Algae Remover		1kg	6	48.60	55.89
386331	General Purpose Algaecide and Clarifier		1 litre	12	47.70	54.86
386341	Phosphate Remover - Algae Preventor		500m litre	12	21.40	24.61
3863420	Phosphate Remover - Algae Preventor		20 litre	1	540.00	621.00
386352	Ultra Algaecide		2.5 litre	6	48.60	55.89
386355	Ultra Algaecide		5 litre	3	94.00	108.10

## SUNSCREEN (Pool Range)

Part Number	Product Description	Ref page	Nominal Size	Carton Qty	NZ List Price	Retail Inc GST
386201	Chlorine UV Protector- Fast Dissolving		1kg	16	20.40	23.46
386202	Chlorine UV Protector- Fast Dissolving		2kg	8	32.70	37.61
386203	Chlorine UV Protector- Fast Dissolving		3kg	6	45.20	51.98
3862025	Chlorine UV Protector- Fast Dissolving		25kg	1	320.00	368.00
386211	Chlorine UV Protector - Tablets		1kg	12	14.20	16.33
386212	Chlorine UV Protector - Tablets		2kg	6	26.50	30.48



## WATER BALANCERS (Pool Range)

Part Number	Product Description	Ref page	Nominal Size	Carton Qty	NZ List Price	Retail Inc GST
386502	Alkalinity Increaser		2kg	8	16.60	19.09
386504	Alkalinity Increaser		4kg	4	27.00	31.05
3865010	Alkalinity Increaser		10kg	2	62.00	71.30
3865025	Alkalinity Increaser		25kg	1	113.00	129.95
386512	Hardness Raiser		2kg	8	20.00	23.00
386514	Hardness Raiser		4kg	4	31.60	36.34
386518	Hardness Raiser		8kg	2	52.00	59.80
3865125	Hardness Raiser		25kg	1	94.00	108.10
386522	pH Up		2kg	8	18.50	21.28
386531	pH Down		1kg	16	15.60	17.94
386533	pH Down		3kg	6	31.10	35.77
3865325	pH Down		25kg	1	102.00	117.30



## POOL MAINTENANCE (Pool Range)

Part Number	Product Description	Ref page	Nominal Size	Carton Qty	NZ List Price	Retail Inc GST
386415	Salt Cell Cleaner	-	5 litre	3	44.20	50.83



## POOL RESTORERSL (Pool Range)

Part Number	Product Description	Ref page	Nominal Size	Carton Qty	NZ List Price	Retail Inc GST
386401	Pool Clear & Clean		1 litre	6	34.30	39.45
386421	Stain Remover		1kg		41.20	47.38
386431	Filter Cleaner and Degreaser		1 litre	6	48.90	56.24
3864320	Filter Cleaner and Degreaser		20 litre	1	750.00	862.50
386441	Scale Remover & Metals Inhibitor		1 litre	12	36.90	42.44
3864420	Scale Remover & Metals Inhibitor		20 litre	1	550.00	632.50



## WATER PROTECTORS (Spa Range)

Part Number	Product Description	Ref page	Nominal Size	Carton Qty	NZ List Price	Retail Inc GST
384007	Aqua Pure Bromine Sanitiser		500gr	12	36.70	54.40
384001	Aqua Pure Bromine Sanitiser		1kg	6	57.50	73.60
384004	Aqua Pure Bromine Sanitiser		2kg	6	98.50	125.35
34766	Aqua Pure Shock & Sanitiser		1kg	6	48.90	56.24



## WATER BALANCERS (Spa Range)

Part Number	Product Description	Ref page	Nominal Size	Carton Qty	NZ List Price	Retail Inc GST
384025	Aqua Pure Spa Water Hardness Raiser		500gr	12	10.20	11.73
381021	Aqua Pure Spa Water pH & Alk Increaser		500gr	12	10.00	11.50
381019	Aqua Pure Spa Water pH & Alk Increaser		1kg	6	15.10	17.37
384009	Aqua Pure Spa B Activate & Start Up		1.5kg	6	35.10	40.37
381017	Aqua Pure Spa Water pH Down		500gr	12	21.90	25.19



## WATER CLARIFIERS (Spa Range)

Part Number	Product Description	Ref page	Nominal Size	Carton Qty	NZ List Price	Retail Inc GST
382001	Aqua Pure Anti Foam		500ml	12	29.50	33.93
382005	Aqua Pure Spa Water Clarifier		500ml	12	22.40	25.76



## MAINTENANCE PRODUCTS (Spa Range)

Part Number	Product Description	Ref page	Nominal Size	Carton Qty	NZ List Price	Retail Inc GST
384022	Aqua Pure Spa Cartridge Cleaner		500gr	8	24.40	28.06
384030	Aqua Pure Spa Water Shock		475gr	12	29.50	33.93
384028	Aqua Pure Spa Water Shock		1kg	6	54.00	62.10



## SUNDRIES (Spa Range)

Part Number	Product Description	Ref page	Nominal Size	Carton Qty	NZ List Price	Retail Inc GST
384020	Aqua Pure Start Up Kit		Each	5	149.00	171.35
348907	4 in 1 Test Strips		6	6	38.70	44.51



## AQUAHEALTH ULTRA SHOCK

AquaHealth Ultra Shock is an alternative non-chlorine treatment to superchlorination for the 'shock' treatment of swimming pools. It effectively oxidises the organic content of pool water quickly and easily, leaving it sparkling clean. Ultra Shock is compatible with vinyl, chlorinated, brominated and ozonated pools.

### Features & Benefits

- ✓ Contains NO chlorine - no unpleasant odours
- ✓ Like chlorine, destroys organic compounds - makes water sparkle
- ✓ Compatible with all chlorinated (including salt), brominated or ozonated sanitising systems
- ✓ Dissolves easily in water - no pre-mixing is required
- ✓ Suitable in any pool water conditions
- ✓ Preferred for "superchlorination" in salt water pools as it doesn't affect chlorinator electrodes
- ✓ No pool shutdown required - dose and swim 1 hour later
- ✓ Pre-measured jars are simple to use

### Available Pack Sizes

500g, 1kg and 5kg

### Recommended Dosage

For pools add 125g/10,000L, for spas 60g/2,000L.



## AQUAHEALTH GRANULAR POOL CHLORINE

Granulated chlorine for regular use as disinfectant in swimming pools. The active ingredient is calcium hypochlorite and contains 70%-74% of available chlorine.

### Features & Benefits

- ✓ Contains 70% available chlorine
- ✓ Ideal for daily use
- ✓ More stable and easier to handle than liquid chlorine
- ✓ Scatter soluble granules directly into the pool
- ✓ Has a shelf life of several years

### Available Pack Sizes

2kg, 4kg, 10kg and 40kg

### Recommended Dosage

Stabilised pools: add 40g per 10,000L of pool water.  
Un-stabilised pools: add 80g per 10,000L of pool water.

## WATER PROTECTORS

Part Number	Product Description	Nominal Size	Carton Qty	NZ List Price	Retail Inc GST
34005	Ultra Shock	500g	12	28.10	32.32
34004	Ultra Shock	1kg	12	48.70	56.01
34006	Ultra Shock	5kg	3	192.00	220.80
34702	Granular Pool Chlorine	2kg	6	45.30	52.10
34704	Granular Pool Chlorine	4kg	4	88.00	101.20
34710	Granular Pool Chlorine	10kg	1	155.00	178.25
34740	Granular Pool Chlorine	40kg		485.00	557.75



## AQUAHEALTH CHLORINE CONCENTRATE

AquaHealth Chlorine Concentrate is a soluble granular chlorine with built-in stabiliser, which ensures your pool is protected from unwanted bacteria, algae and organic waste.

### Features & Benefits

- ✓ Contain built-in sunscreen for chlorine in the form of cyanuric acid
- ✓ Suitable for external spas and Quartzon-finished pools
- ✓ Low residue
- ✓ No effect on pH, hardness or total alkalinity
- ✓ Fast dissolving granules
- ✓ Boast a shelf life of several years
- ✓ Pools that use stabilised chlorines require less frequent chlorine dosing than pools that use unstabilised granular or liquid chlorine

### Available Pack Sizes

2kg, 4kg, 10kg and 20kg

### Recommended Dosage

Daily dosage 25g/10,000L of pool water.

## WATER PROTECTORS

Part Number	Product Description	Nominal Size	Carton Qty	NZ List Price	Retail Inc GST
34202	Chlorine Concentrate	2kg	6	59.00	67.85
34204	Chlorine Concentrate	4kg	4	97.00	111.55
34210	Chlorine Concentrate	10kg	1	179.00	205.85



## AQUAHEALTH STABILISED TABLETS

Convenient, long lasting tablets with built-in stabiliser. Can be used all year round or during the off season as a winteriser.

### Features & Benefits

- ✓ High chlorine content - almost 90%
- ✓ Use in a chlorine tablets dispenser or through the skimmer box
- ✓ Contains in-built stabiliser
- ✓ Long lasting tablets

### Available Pack Sizes

1kg, 2kg and 10kg

### Recommended Dosage

1 tablet per every 10,000-20,000L of pool water.

## WATER PROTECTORS

Part Number	Product Description	Nominal Size	Carton Qty	NZ List Price	Retail Inc GST
34305	Stabilised Tablets - 200gm - 1kg	5 pack	12	34.50	39.68
34310	Stabilised Tablets - 200gm - 2kg	10 pack	6	57.00	65.55
34350	Stabilised Tablets - 200gm - 10kg	50 pack		259.00	297.85



## AQUAHEALTH INSTANT SHOCK & SANITISER

AquaHealth Instant Shock & Sanitiser is a high oxidiser and a low chlorine level product that is added to the water to remove unwanted organic material and bacteria.

It contains:

- A softening agent
- A non-chlorine oxidising compound
- A clarifier

### Features & Benefits

- ✓ Its application is perfect to shock your pool water into crystal clear clarity, allowing you to swim almost instantly
- ✓ Softens, clarifies and hinders the growth of algae
- ✓ Removes unwanted organics, combined chlorines freeing up your chlorines ability to effectively sanitise the water
- ✓ Allows any larger particulate to drop to the floor and be vacuumed to waste

**Available Pack Sizes**  
500g, 1kg, 2kg and 10kg

**Recommended Dosage**  
Add 500g/60,000L of pool water once a week.



## AQUAHEALTH CHLORINE CONCENTRATED PLUS

Chlorine Concentrate Plus is a multi-purpose chlorine blend that contains a high concentration of trichlor and sodium tetraborate.

Use it as a standard chlorine for sanitising swimming pool water or as an effective treatment for green or black algae. Regular addition of sodium tetraborate further enhances water quality, giving it a soft, silky feeling.

### Features & Benefits

- ✓ A blend of stabilised granular chlorine and a water enhancer
- ✓ Chlorine Concentrate Plus has a high level of available chlorine
- ✓ No residues
- ✓ The regular addition of the sodium tetra borate enhances water quality, giving it a soft silky feel
- ✓ UV protected - built in stabiliser

**Available Pack Sizes**  
1kg, 2kg, 4kg and 10kg

**Recommended Dosage**  
20g per 10,000L per day, via the skimmer box with pump running.

## WATER PROTECTORS

Part Number	Product Description	Nominal Size	Carton Qty	NZ List Price	Retail Inc GST
34806	Instant Shock & Sanitiser	500g	10	22.90	26.34
34802	Instant Shock & Sanitiser	1kg	6	37.00	42.55
34803	Instant Shock & Sanitiser	2kg	6	69.50	79.93
34805	Instant Shock & Sanitiser	10kg	1	340.00	391.00
34788	Chlorine Concentrate Plus	1kg	6	39.90	45.89
34789	Chlorine Concentrate Plus	2kg	6	71.50	82.23
34791	Chlorine Concentrate Plus	4kg	4	141.00	162.15
34792	Chlorine Concentrate Plus	10kg	1	315.00	362.25



## AQUAHEALTH SUNSCREEN

Reduces chlorine consumption in pools by up to 50% by protecting and stabilising the chlorine from the sun's harmful ultraviolet rays. Ideal for chlorinated and salt water pools. It stabilizes the free chlorine and prevents chlorine breakdown by UV light from the sun. Aqua-Health Sunscreen also ensures the sanitiser works effectively.

### Features & Benefits

- ✓ Protects chlorine from the sun's UV rays
- ✓ Use in all chlorine and salt pools and Spas
- ✓ Use in all chlorinated and saltwater pools and spas

### Available Pack Sizes

1kg, 2kg, 3kg and 25kg

### Recommended Dosage

500g/10,000L raises sunscreen levels by 50ppm.

Levels between 30 and 50ppm are ideal. Levels over 100ppm will cause chlorine Lock.



## AQUAHEALTH SUNSCREEN TABS

AquaHealth Sunscreens tablets stabilise the free chlorine and prevent chlorine breakdown by UV light from the sun. It also ensures that the sanitiser works effectively.

### Features & Benefits:

- Protects chlorine from the sun's UV rays
- Use in all chlorine and salt pools and Spas
- Use in all chlorinated and saltwater pools and spas

### Available Pack Size:

1kg (2 x 500g tablets)  
2kg (4 x 500g tablets)

### Recommended Dosage

The sunscreen/stabiliser recommended level is 30 - 50 ppm. The concentration of stabiliser/sunscreen in the pool over 100ppm will cause chlorine lock.

## SUNSCREEN / STABILISER

Part Number	Product Description	Nominal Size	Carton Qty	NZ List Price	Retail Inc GST
34711	Sunscreen	1kg	16	20.40	23.46
34712	Sunscreen	2kg	8	32.70	37.61
34713	Sunscreen	3kg	6	45.20	51.98
34714	Sunscreen Tabs 1kg	2x 500g	12	14.20	16.33
34717	Sunscreen Tabs 2kg	2x 500g	6	26.50	30.48



## AQUA-HEALTH MAXI CLEAR

Aqua-Health Maxi Clear tablets are a fast dissolving, fast acting clarifier ideal for newly filled or cloudy pools.

### Features & Benefits

- ✓ Clears cloudy pools fast
- ✓ Fast acting clarifier, ideal for newly filled or cloudy pools
- ✓ Perfect for sand filters

### Available Pack Sizes

125g

- Aluminium sulphate tablets in a sock that contains 5 x 25g tablets for fast dissolving action.

### Recommended Dosage

One tablet/50,000L of pool water.



## AQUA-HEALTH AQUASHINE PLUS

Aqua-Health Aquashine plus is a concentrated water polisher designed to maintain the sparkle in pool water. It contains ingredients that bind with materials which can cause cloudy water allowing them to be easily filtered out of the pool. It also conditions the filter to assist in removal of suspended matter.

### Features & Benefits

- ✓ Improves filter efficiency.
- ✓ It's concentrated; 1L will treat 100,000L of pool water when used on a maintenance basis.
- ✓ Fast acting - coagulated particles will be filtered out or settle overnight.
- ✓ Effective in a wide range of water qualities (pH, alkalinity, hardness, etc.).
- ✓ Pool can be used immediately after treatment - no waiting period.
- ✓ Can be used in conjunction with other pool chemicals.
- ✓ Biodegradable, non-toxic and non-irritating.
- ✓ Can be used in all types of pool finishes.

### Available Pack Sizes

1L and 20L  
200ml One shot.

### Recommended Dosage

100ml / 10,000L of pool water  
200ml / 50,000L of pool water



## AQUAHEALTH LIQUID FLOC & CLARIFIER

AquaHealth Liquid Floc & Clarifier is a heavy-duty and fast-acting flocculant. It is formulated from a unique blend of our liquid floc combined with a concentrated polymer resin.

### Benefits:

- ✓ Clears the cloudiest pools in under 6 hours
- ✓ Use to remove dead algae and other floating particles
- ✓ No messy residue
- ✓ Simple to apply liquid dose
- ✓ One litre will treat a 60,000 litre pool
- ✓ Compatible with all type of pools and sanitisers

## CLARIFIERS

Part Number	Product Description	Nominal Size	Carton Qty	NZ List Price	Retail Inc GST
34800	Maxi Clear Tabs Service Carton	125g	80	417.60	480.24
34801	Maxi Clear Tabs DisplayCarton	125g	20	111.00	127.65
34732	Aquashine Cubes	50g	24	14.70	16.91
34722	Aquashine Plus	1 litre	12	35.20	40.48
34723	Aquashine One Shot [minimum 12]	200ml	12	11.80	13.57
34742	Granular Floc	1 litre	12	21.80	25.07
34784	Liquid Floc & Clarifier	1L	12	48.30	55.55



## AQUAHEALTH ULTRA ALGAEICIDE

Highly concentrated algaecide developed for the harsh tropical climates, it is effective against all strains of algae.

### Features & Benefits

- ✓ Use for the treatment of severe, resistant algae strains.
- ✓ Effective over a wide pH range, best results at pH between 7.0 and 7.2.
- ✓ At lower pH, the waxy coating surrounding algae cells is greatly softened, allowing easier penetration by chemical.
- ✓ Compatible with all recognised sanitisers and other pool additives.
- ✓ Do not superchlorinate for 48 hours before and after product addition
- ✓ Should not be used in pools using Ionisers or Natures 2

### Available Pack Sizes

2.5L , 5L and 20L

### Recommended Dosage

Add 2.5L/50,000L of pool water



## AQUAHEALTH POOL ALGAEICIDE

Highly concentrated pool algaecide for stubborn algae problems. Breaks down the protective membrane of algae to allow sanitiser to penetrate and kill it. AquaHealth Pool Algaecide also disrupts the algal cell metabolism. It does not contain metals which makes it suitable for all type of pools.

### Features & Benefits

- ✓ High strength pool algaecide for persistent algae problems
- ✓ Year round treatment
- ✓ Effective against a broad spectrum of algae
- ✓ Non-metal based
- ✓ Can be used in ionised pools
- ✓ Compatible with chlorine, and has negligible effect on pH, total alkalinity, and hardness

### Available Pack Sizes

1L

### Recommended Dosage

Initial treatment 100mL/10,000L of pool water.  
Thereafter, 30mL/10,000L of pool water fortnightly.  
Distribute directly to pool water around pool edge.



## AQUAHEALTH MAINTENANCE ALGAEICIDE

AquaHealth Maintenance Algaecide is an extra-strength algaecide especially formulated to kill and control algae where there are severe problems. Its active ingredients make it ideal for controlling all types of algae including more resistant black strains algae. Designed to prevent algal growth, it is often used as a winteriser.

### Features & Benefits

- ✓ Effective against all types of algae even the usually more resistant strains.
- ✓ Compatible with chlorine, it also has negligible effect on pH, total alkalinity, and hardness
- ✓ Once added, remains effective for three months - therefore ideal for 'winterising' pools
- ✓ Extra-strength formulation it is great for stubborn algae problems

### Available Pack Sizes

500ml, 1L and 20L

### Recommended Dosage

Initial dose 85mL/10,000L of pool water.  
If severe double the dose.



## AQUAHEALTH ALGAE GUARD

Algae Guard is highly concentrated and free of metal. Its formulation is effective against black-spot, blue-green, green, and mustard algae. Algae Guard can be combined with all sanitisers and is especially recommended for ionised and saltwater pools. Algae Guard also helps clarify pool water as it has an in-built clarifier.

### Available Pack Sizes

500ml



## AQUAHEALTH BLACK SPOT GRANULAR ALGAEICIDE

A 90% sodium trichloroalgaecide for treatment of black spot algae. Only to be used in pebblecrete, white plaster and tiled pools.

### Features & Benefits

- ✓ Highly concentrated
- ✓ Not affected by high levels of chlorine
- ✓ Low pH promotes better performance
- ✓ Kills black spot 'blue-green' algae
- ✓ Granules can be directed towards affected area
- ✓ Dissolves slowly to stay in contact with affected area longer

### Available Pack Sizes

1kg

### Recommended Dosage

1kg treats up to 50,000L pool water

## AQUAHEALTH STARVER M

State of the art phosphate remover for maintaining low levels of phosphate. AquaHealth StarverM will remove up to 2 ppm (parts per million) with one dose and maintains low levels of phosphates with minimal effort.

### Features & Benefits

- ✓ Simple, easy application directly through the skimmer
- ✓ No sediment so no need to shake before use
- ✓ A single dose of 250mL will remove up to 2 ppm of phosphates from swimming pool water
- ✓ Natural composition of unique polymers and rare earth compounds
- ✓ Built in clarifier gives superior look to water quality
- ✓ Does not cloud pool water like other phosphate removers
- ✓ No need to vacuum (does not settle out in pool)
- ✓ No effect on filter pressure

### Available Pack Sizes

1L, 2.5L and 20L

### Recommended Dosage

Add 250mL once per week for every 50,000L of pool water.





## AQUAHEALTH STARVER X

This highly concentrated formulation removes high levels of phosphates more efficiently than any other product.

### Features & Benefits

- ✓ Removes up to 6.0ppm of phosphates
- ✓ Natural composition of unique polymers and rare earth compounds
- ✓ Enhances water clarity within 24 hours
- ✓ Increases efficiency of all sanitisers
- ✓ No need to vacuum (does not settle out in pool)
- ✓ No effect on filter pressure

### Additional Information

When adding StarverX the water might go cloudy. This cloudiness will disappear within 24 hours as long as the pump and filter are left to run.

**Available Pack Sizes**  
1L and 20L

### Recommended Dosage

Add 200mL per 10,000L of pool water directly to the skimmer box. After the addition of StarverX regular maintenance dosages of Aqua-Health StarverM should be added at a fortnightly rate of 500mls per 50,000L.

## ALGAECIDES

Part Number	Product Description	Nominal Size	Carton Qty	NZ List Price	Retail Inc GST
34561	Ultra Algaecide	2.5L	6	48.60	55.89
34781	Ultra Algaecide	5L	4	94.00	108.10
34505	Pool Algaecide	1L	12	48.50	55.78
34550	Maintenance Algaecide	500ml	12	29.90	34.39
34555	Maintenance Algaecide	1L	12	48.30	55.55
34420	Blackspot Granular Algaecide	1kg	6	48.60	55.89
34522	Starver M	1 L	12	41.20	47.38
34523	Starver M	2.5L	6	82.50	94.88
34531	Starver X	1L	12	57.00	65.55

## AQUAHEALTH NILPHOS PLUS



AquaHealth Nilphos Plus is a concentrated phosphate remover designed to remove high levels of phosphates (up to 6ppm) and also reduces the clouding of swimming pool water during the phosphate removal process.

Aqua-Health Nil Phos Plus also contains a built-in clarifier to reduce the clouding of swimming pool water during the phosphate removal process; it will also clear pool water simultaneously, saving time and money.

### Features & Benefits

- ✓ Simple 500mL dose bottle
- ✓ Blended to optimum strength
- ✓ Maintain a phosphate-free pool all year round
- ✓ It prevents the growth of algae
- ✓ Improves sanitiser efficiency
- ✓ Built-in clarifier to keep the pool crystal clear

**Available Pack Sizes**  
500mL and 20L drum

### Recommended Dosage

2ppm, Add 100mL per 50,000L of pool water.  
6ppm, Add 200mL per 50,000L of pool water.



## AQUAHEALTH METAL FREE ALGAECIDE

A heavy duty algaecide free of metal with a built-in clarifier. Effective against green algae. This highly concentrated, unique formulation is free of metals and contains a built-in clarifier.

### Features & Benefits

- ✓ Inexpensive and very effective
- ✓ Easy and economical to use
- ✓ Long chain polymer gives longer lasting algaecide properties
- ✓ Non-foaming and non-staining
- ✓ Ideal for salt water pools

### Available Pack Sizes

1L and 20L

### Recommended Dosage

180mL/10,000L of pool water when algae is present, otherwise 90mL/10,000L. 60mL/10,000L for a preventative weekly dose.

## ALGAECIDES

Part Number	Product Description	Nominal Size	Carton Qty	List Price	Price Incl. GST
34810	Nilphos Plus	500mL	12	21.40	24.61
34812	Nilphos Plus 1L	1L	6		
34560	Metal Free Algaecide & Clarifier	1L	12	47.70	54.86



## AQUAHEALTH NO MORE DUCKS

Reduces the surface tension of the water to deter ducks and other feathered friends from contaminating the pool.

### Features & Benefits

- ✓ Not harmful to ducks or humans
- ✓ Can be used in all types of pool finishes
- ✓ Compatible with all recognised sanitisers and other pool additives

### Available Pack Sizes

5L and 20L

### Recommended Dosage

5L treats 50,000L of pool water.



## AQUAHEALTH STAIN REMOVER

Aids in the prevention and removal of: scale, stains and discoloured water.

### Features & Benefits

- ✓ Removes iron, copper, manganese and rust stains
- ✓ Also removes organic stains caused by algae and leaf litter, in vinyl liners
- ✓ Use as an all-over stain removal solution or as a spot treatment

### Available Pack Sizes

1kg

### Recommended Dosage

1kg per 50,000L of pool water. Consult your pool & spa specialist about the application and use of Aqua-Health 3-in-1 Stain remover.



## AQUAHEALTH METALS CONTROL & CONDITION

AquaHealth Metals Control & Condition designed to control hardness salt deposition on salt chlorinator electrodes and heat exchange elements of gas and electric heaters.

It also has the ability to bind with dissolved metal, disperse solid materials such as scale, and inhibit scale from forming on the pool surface.

### Features & Benefits

- ✓ Prolongs the life of salt chlorinator electrodes and heater elements
- ✓ Increases heat transfer by maintaining cleaner heater elements
- ✓ Eliminates the need for harsh acids when removing scale
- ✓ Lowers maintenance requirements - scale is simply hosed off
- ✓ Effective over a wide range of pH and temperature conditions
- ✓ Loosens and dissolves existing scale formations on pool walls and prevents reformation
- ✓ Removes stains on pool surfaces caused by dirt, algae and metal corrosion
- ✓ Helps clarify water that is discoloured or clouded by iron, manganese and calcium

### Available Pack Sizes

1L

### Recommended Dosage

Add 200mL per 10,000L of pool water to a bucket filled with water (never add water to chemicals) and distribute evenly around the pool perimeter.



## AQUAHEALTH SOLAR SHIELD

An economical and easy to use alternative to pool covers, AquaHealth Solar Shield helps protect pool water from heat loss and evaporation.

### Benefits:

- ✓ Adds an ultra-thin, invisible barrier to the pool
- ✓ Reduces evaporation by over 30%
- ✓ A great aid to reducing heat loss
- ✓ A single monthly dose of 250ml protects for an entire month in a 50,000-litre pool
- ✓ A one-litre bottle gives four months of protection
- ✓ Its efficiency will not be affected by automatic pool cleaners.
- ✓ It may be used in all types of pool finishes
- ✓ Compatible with all recognised sanitisers and other pool additives

## TROUBLE SHOOTERS

Part Number	Product Description	Nominal Size	Carton Qty	List Price	Price Incl. GST
34783	No more Ducks	5L	4	51.00	58.65
34770	Stain Remover	1kg	6	41.20	47.38
34776	Metals Control & Condition	1L	6	66.00	75.90
34765	No More Foam	500ml	12	25.70	29.56
34764	Solar Shield	1L	1L	76.00	87.40



## AQUAHEALTH AQUAGUARD

AquaHealth Aquaguard is a versatile and multi-function product that can be used for a diverse range of solutions to enhance the quality of pool surrounds, pool equipment and pool water.

### Features & Benefits

- ✓ AquaHealth Aquaguard keeps scale at bay by both assisting in the removal of existing scale and inhibiting the build-up of scale from pool walls, equipment and pipes
- ✓ It acts as a saltwater chlorinator cell protector by inhibiting the build-up of scale on chlorinator cells
- ✓ Acts as powerful sequestering agent, its presence in the water will inhibit metal elements such as iron and copper from dropping out of solution
- ✓ It also aid in the removal of metal staining to both the walls and floor of the pool
- ✓ Aqua-Health Aquaguard will not add phosphate to the water

**Available Pack Sizes**  
1L and 20L

**Recommended Dosage**  
Use 500mL per 50,000L of pool water.  
One application lasts three months.



## AQUAHEALTH SALT CELL PROTEK

AquaHealth Salt Cell Protek prevents the calcium build-up on saltwater chlorinator cells by making it softer and easy to remove by the water flowing through the cell.

AquaHealth Salt Cell Protek is an essential component of the routine maintenance program of pools with saltwater chlorinators.

### Features & Benefits

- ✓ Designed to maximise the life and efficiency of saltwater chlorinator cells
- ✓ Reduce frequency of maintenance of the saltwater chlorinator cells
- ✓ One treatment lasts for 6 months
- ✓ Can be used with all types of saltwater chlorinator cells
- ✓ Convenient resealable pack

**Available Pack Sizes**  
5kg

**Recommended Dosage**  
1kg per 10,000L of pool water.

## PREVENTATIVE & MAINTENANCE

Part Number	Product Description	Nominal Size	Carton Qty	NZ List Price	Retail Inc GST
34744	Aquaguard	1L	12	36.90	42.44
34780	Salt Cell Protek	5kg	4	31.20	35.88



## AQUAHEALTH SALT CELL CLEANER

This new formulation contains a blend of phosphoric acid and non-ionic surfactants. The strong acidic mixture is safe and re-usable. Does not contain hydrochloric acid.

### Features & Benefits

- ✓ Removes calcium build-up from salt water chlorinator cells
- ✓ Removes grimes and organic build-up from saltwater chlorinator cells
- ✓ Does not affect metals on the cell
- ✓ Reusable solution (at least 3-4 times)
- ✓ Prolong the life of the salt chlorinator cell
- ✓ Increases efficiency of the cell
- ✓ Compatible with all chlorinators

### Available Pack Sizes

5L

### Recommended Dosage

Place enough product in suitable container and soak the electrode in it.



## AQUAHEALTH POOL CLEAN & CLEAR

AquaHealth Pool Clean & Clear is the perfect product to give you crystal clear water, eliminate body fats and oils, and remove dissolved metals.

### Features & Benefits

- ✓ Pool Clean & Clear is a Concentrated, non-toxic solution 100% natural, biodegradable formulation
- ✓ Prevents scum lines around the pool
- ✓ Coagulates fine particles of suspended matter where they are trapped in the filter bed
- ✓ Ideal for newly filled pools or as a maintenance product to keep the pool water sparkle clean

### Available Pack Sizes

1L and 20L

### Recommended Dosage

Maintenance: 85mL per 10,000L of pool water. Newly filled pools: 170mL per 10,000L of pool water.

## PREVENTATIVE & MAINTENANCE

Part Number	Product Description	Nominal Size	Carton Qty	NZ List Price	Retail Inc GST
34795	Salt Cell Cleaner	5L	4	44.20	50.83
34743	Pool Clear & Clean	1L	12	34.30	39.45



## AQUAHEALTH NATURAL FILTER CLEANER

AquaHealth Natural Filter Cleaner is a non-polluting water soluble cleaner that is readily biodegradable. It is very effective in removing oils and fats by breaking them down and solubilising them, allowing the filter media to be easily cleaned by rinsing and backwashing.

### Features & Benefits

- ✓ Filter Degreaser new formula is an eco-friendly
- ✓ Non toxic
- ✓ Biodegradable product
- ✓ Manufactured from a plant extract (100% natural ingredients)
- ✓ It acts by solubilising fats and oils allowing the filter media to be easily rinsed and backwashed
- ✓ Works in all filter media types, including sand, glass, Zelbrite, cartridge and DE Septums
- ✓ Quick, simple and easy to use for the consumer or the service technician
- ✓ Can be added directly to the skimmer whilst in backwash mode, or for cartridge and DE filters mix in a bucket and soak for 30 minutes

### Available Pack Sizes

1L and 20L

### Recommended Dosage

Add 1L per filter treatment.



## AQUAHEALTH BIOCLEAN

For the control of biofilm in swimming pools and spas. Increases water clarity and reduces chemical maintenance costs.

Biofilm is far more resistant to chemical treatment and tends to form in inaccessible places, making it especially difficult to eradicate.

AquaHealth BioClean is an environmentally friendly, easy to use product specifically designed to eliminate biofilm in swimming pools and spas.

AquaHealth BioClean can be used in any type of pool/spa and it does not “upset” the sensors of the chemical dosing systems. BioClean also has an in-built clarifier that improves water clarity and helps to reduce the consumption of maintenance chemicals.

### Main Features:

- ✓ Eliminates biofilm from pool/spa and filter
- ✓ Clean pipes and leaves them “whistle clean”
- ✓ Eliminates slimy walls and surfaces
- ✓ Increase the efficiency of pool sanitiser (save money)
- ✓ Assist in the cleaning of solar system and contribute to improving its efficiency (save money/energy)
- ✓ Easy to use - add it once a month to your pool/spa
- ✓ Highly concentrated, 1L treats up to 60kL of pool water
- ✓ Environmentally friendly
- ✓ Built-in clarifier helps to keep pool sparkling

### Dosage:

1L per every 60,000L of pool water once a month

### Available Pack Sizes:

1L, 20L

## PREVENTATIVE & MAINTENANCE

Part Number	Product Description	Nominal Size	Carton Qty	NZ List Price	Retail Inc GST
34796	Natural Filter Cleaner	1L	6	48.90	56.24
34807	BioClean	1L	12	53.00	60.95

## AQUAHEALTH ALKALINITY INCREASER



AquaHealth Alkalinity Increaser raises the total alkalinity of your pool and acts as a pH buffer. Pool water treated with AquaHealth Alkalinity Increaser will have a pH that is most comfortable to swim in.

AquaHealth Alkalinity Increaser also helps protect against corrosion and scaling, and maintain a stable pH.

### Features & Benefits

- ✓ Excellent at buffering the pH of pool water at a level comfortable for swimming and appropriate for chlorine disinfection
- ✓ Totally soluble in any water conditions
- ✓ Has a shelf life of several years if stored in cool, dry conditions
- ✓ Is a non-hazardous chemical

**Available Pack Sizes**  
2kg, 4kg, 10kg and 25kg

**Recommended Dosage**  
For a 60ppm increase in total alkalinity, add 1kg /10,000L of pool water. Dissolve in bucket of water and distribute over the pool. Run filter for at least 8 hours.

## AQUAHEALTH HARDNESS INCREASER



AquaHealth Hardness Increaser raises the hardness of water (the concentration of dissolved calcium) in your pool thus preventing pitting of concrete-based pool walls and erosion of mortar and tile grout. It also reduces damage to Marblesheen and pebble finished pools, caused by low levels of calcium.

### Features & Benefits

- ✓ Non-hazardous chemical
- ✓ Excellent at increasing the level of water hardness
- ✓ Totally soluble in pool water
- ✓ Has a shelf life of several years if stored in cool, dry conditions
- ✓ Will not affect the pH or total alkalinity

**Available Pack Sizes**  
1kg, 2kg, 4kg, 8kg and 25kg

**Recommended Dosage**  
For an increase of 10ppm use 150g/10,000L of pool water.

## BALANCING CHEMICALS

Part Number	Product Description	Nominal Size	Carton Qty	NZ List Price	Retail Inc GST
34642	Alkalinity Increaser (Bi-Carb)	2kg	8	16.60	19.09
34644	Alkalinity Increaser (Bi-Carb)	4kg	4	27.00	31.05
34646	Alkalinity Increaser (Bi-Carb)	10kg	2	62.00	71.30
34651	Hardness Increaser (Cal-Chloride)	1kg	16	14.20	16.33
34652	Hardness Increaser (Cal-Chloride)	2kg	9	20.00	23.00
34654	Hardness Increaser (Cal-Chloride)	4kg	4	31.60	36.34
34658	Hardness Increaser (Cal-Chloride)	8kg	2	52.00	59.80





## AQUAHEALTH pH INCREASER

This special formulation helps increase the pH level of pool water and protect it against scaling and corrosion.

### Features & Benefits

- ✓ Increases pH levels
- ✓ Creates a comfortable swimming experience
- ✓ Helps protect pool surfaces

### Available Pack Sizes

2kg

### Recommended Dosage

To raise pH by 1 decimal point, add 60g/10,000L of pool water. Dissolve in bucket of water and distribute over the pool. Run filter for at least 8 hrs.



## AQUAHEALTH GRANULAR pH DECREASER

A safer alternative to hydrochloric acid, this special formulation reduces the pH and lower the total alkalinity in pool water.

### Features & Benefits

- ✓ Safe to handle.
- ✓ Long shelf life.
- ✓ Soluble in water.
- ✓ No fumes.

### Available Pack Sizes

1kg, 3kg, 10kg and 25kg

### Recommended Dosage

Application rate will depend on the pH and size of the pool. Please refer to product label or your pool shop specialist for dosages and application.

## BALANCING CHEMICALS

Part Number	Product Description	Nominal Size	Carton Qty	NZ List Price	Retail Inc GST
34612	pH Increaser (Soda Ash)	2kg	12	18.50	21.28
34621	pH Decreaser Granular	1kg	12	15.60	17.94
34623	pH Decreaser Granular	3kg	6	31.10	35.77



## AQUAHEALTH SPA SHOCK

AquaHealth Spa Shock is an attractive alternative non-chlorine treatment to superchlorination for the 'shock' treatment of spas. It effectively oxidises the organic content of spa water quickly and easily.

- ✓ Contains NO chlorine - no unpleasant odours
- ✓ Like chlorine, destroys organic compounds - makes water sparkle
- ✓ Compatible with all chlorinated, brominated or ozonated sanitising systems
- ✓ Dissolves easily in water - no pre-mixing is required
- ✓ No shutdown required - dose and swim 1 hour later

**Available Pack Sizes**  
500g

**Recommended Dosage**  
60g/2,000 Ls of spa water.



## AQUAHEALTH SPA BROMINE TABLETS

Long lasting for effective spa pool and hot tub sanitisation. It is an effective and easy-to-use form of chlorine sanitation which ensures your pool is protected from unwanted bacteria, algae and organic waste.

### Features & Benefits

- ✓ Fast dissolving tablets
- ✓ Minimum effect on pH and alkalinity
- ✓ No residues
- ✓ Suitable for spa water temperature

**Available Pack Sizes**  
500g, 1kg and 2kg

**Recommended Dosage**  
Add 1 tablet/1,000L of spa water weekly.



## AQUAHEALTH SPA & POOL CHLORINE

Stabilised chlorine to keep spa free of bacteria and algae. Instantly dissolves, for immediate spa use.

### Features & Benefits

- ✓ Fast dissolving granules
- ✓ No effect on pH and alkalinity
- ✓ Suitable for spa water temperature

**Available Pack Sizes**  
500g and 1kg

**Recommended Dosage**  
Add 5g/1,000L of Spa water.

## SPA CHEMICALS

Part Number	Product Description	Nominal Size	Carton Qty	NZ List Price	Retail Inc GST
3490005	Spa Shock	500g	8	25.00	28.75
349060	Spa Bromine Tablets	500g	12	47.30	54.40
349061	Spa Bromine Tablets	1kg	6	64.00	73.60
349062	Spa Bromine Tablets	2kg	6	109.00	125.35
342005	Spa & Pool Chlorine	500g	8	18.30	21.05
342100	Spa & Pool Chlorine	1kg	6	43.50	50.03



## AQUAHEALTH SPA ALKALINITY INCREASER

AquaHealth Spa Alkalinity Increaser raises the total alkalinity of your spa and acts as a pH buffer. Spa water treated with Aqua-Health Spa Alkalinity Increaser will have a pH that is most comfortable to swim in.

Aqua-Health Alkalinity Increaser also helps protect against corrosion and scaling, and maintain a stable pH.

- ✓ Excellent at buffering the pH of pool water at a level comfortable for swimming and appropriate for chlorine disinfection
- ✓ Totally soluble in any water conditions
- ✓ Has a shelf life of several years if stored in cool, dry conditions
- ✓ Is a non-hazardous chemical

**Available Pack Sizes**  
500g

## AQUAHEALTH SPA START-UP & BALANCE

High performance granulated chlorine for regular use. Provides a fast and effective sanitisation of water due to the high performance formulation.

### Features & Benefits

- ✓ Increases the total alkalinity - to buffer the pH and balance the alkalinity of the spa water
- ✓ Increases calcium hardness - to also help balance the water to retard foaming
- ✓ Helps to clarify the water - by removing suspended solids
- ✓ Ensures the long life of the spa and filtration system - by providing scale and corrosion protection
- ✓ Helps prevent staining - by sequestering any metal ions in solution

**Available Pack Sizes**  
1.5kg

**Recommended Dosage**  
Add 150g/500L of spa water.



## AQUAHEALTH SPA PH DECREASER

A safer alternative to hydrochloric acid, to reduce the pH and lower the total alkalinity.

### Features & Benefits

- ✓ Safe to handle
- ✓ Soluble in water
- ✓ Long shelf life
- ✓ No fumes

**Available Pack Sizes**  
500g

## SPA CHEMICALS

Part Number	Product Description	Nominal Size	Carton Qty	NZ List Price	Retail Inc GST
346005	Alkalinity Increaser	500g	8	12.30	14.15
3490615	Spa Start-up & Balance	1.5kg	6	42.90	49.34
3490805	pH Decreaser	500g	8	26.50	30.48



Just poppit in... and swim with a grin...

# 3 Simple Steps

## to a Chlorine Free Spa



STEP

1

### Clarify Water

Add 60g per  
1000 litres  
Filter for at least  
4h before adding  
other products,  
remove spa cover

STEP

2

### Balance Water

**Alkalinity**  
Ideal 80 - 120ppm

**pH Level**  
Ideal pH 7.2 - 7.6

**Calcium Hardness**  
Ideal 100 - 200ppm

STEP

3

### Sanitise Water

Initial dose rate 1 litre  
per 1000 litres of water

# Pool And Spa Poppits



## POPPITS

“The Healthy Alternative”, Poppits is a chlorine and bromine free system for people concerned about asthma, sensitive skin and the environment. Pool & Spa Poppits is proud to be endorsed by the National Asthma Council Australia and the Asthma and Respiratory Foundation NZ as the “Sensitive Choice” in pool and spa sanitization.



## PEROXIL395

Poppits Peroxsil 395 is the latest ultimate water management system for spa and pool sanitisation. Peroxsil 395 chlorine free spa sanitiser range uses hydrogen peroxide (H<sub>2</sub>O<sub>2</sub>), a powerful yet versatile oxidant that is both safe and effective, in addition to a silver additive. Both of these are excellent anti-pathogenic substances.



## POPPITS ONE STEP WATER PREP

Poppit One Step Water Prep is the start of the Water management system.

It sets the pH and alkalinity of the spa water in one go. Its unique formula not only set the pH and alkalinity but also keep them steady for up to 16 weeks minimising the addition of balancing chemicals, saving time, water and money to the spa owners.

## ULTIMATE WATER MANAGEMENT RANGE FOR SPAS

Part Number	Product Description	Nominal Size	Carton Qty	Price per single units	
				NZ List Price	Retail Inc GST
348114	Poppit Peroxsil Start Up Kit	each	1	292.00	335.80
348388	Peroxsil 395 1L	1 L	10	49.00	56.35
348389	Peroxsil 395 5L	5L	3	120.00	138.00
348392	Peroxsil 395 15L	15L	1	277.00	318.55
348104	Poppit 1 Step Water Prep	1L	6	44.00	50.60
348106	Poppit 1 Step Water Prep	2.5L	4	67.00	77.05
348108	Poppit 1 Step Water Prep	5L	3	107.00	123.05



## POPPIT WATER BALANCE

Balances water, protects your equipment and enables bactericides to perform at maximum effectiveness. Poppit Water Balance raises pH and alkalinity of spa water.

It has been formulated to protect heat exchangers from the damaging effects of scale and corrosion.

**Available Pack Size:**  
1kg containers



## POPPIT SPA CAL HARDENER

Poppit Spa Cal Hardener will increase water hardness which prevents etching, pitting and corrosion of spa surfaces and metallic components.

**Available Pack Size:**  
500g Containers

## WATER BALANCERS

Part Number	Product Description	Nominal Size	Carton Qty	Price per single units	
				NZ List Price	Retail Inc GST
348321	Poppit Water Balance	500g	12	18.00	20.70
348318	Poppit Water Balance	1kg	6	29.00	33.35
348313	Poppit Spa Cal Hardener	500g	12	28.00	32.20

# Pool And Spa Poppits



## POPPIT PH REDUCER

Poppit pH Reducer is used to lower the pH level of the spa pool water to a desired level.

**Available Pack Size:**  
750g Containers

### WATER BALANCERS

Part Number	Product Description	Nominal Size	Carton Qty	Price per single units	
				NZ List Price	Retail Inc GST
348315	Poppit pH Reducer	750g	12	36.00	41.40



## POPPIT WATER CLARIFIER

Make murky pool or spa water a thing of the past with the Poppit Clarifier. This product is ideal for messy clean-ups of spas or swimming pools, also for newly filled spas or swimming pools as well as the rejuvenation of pool or spa clarity.



## POPPIT QUICK FIX

### Spa & Pool Oxidiser

Water supplied by water authorities generally contains chlorine in various amounts, which are often dependent upon the water table level and local conditions. There will always be a chlorine concentration as well as other organic and inorganic matter present in the water.

POPPITS brand - Quick Fix - chlorine free oxidiser is used to oxidise or "burn up" these contaminants and leave the water free from chlorine and ready to be balanced and then sanitised.

Poppit Quick Fix is recommended during the initial start-up of your new spa and also for weekly maintenance.

### Features & Benefits:

- Chlorine free oxidiser
- Ideal for the regular cleaning and maintenance of spas as well as those in need of a quick clean up
- Oxidises organic material

**Available Pack Size:**  
475g and 1kg Containers

### WATER CLARIFIERS

Part Number	Product Description	Nominal Size	Carton Qty	Price per single units	
				NZ List Price	Retail Inc GST
348401	Poppits Clarifier	1L	6	50.00	57.50
348804	Poppit Quick Fix	475g	12	33.00	37.95
348801	Poppit Quick Fix	1kg	6	61.00	70.15

# Pool And Spa Poppits



## POPPITS RANGE POOL POPPITS

Every pool owner battles with algae invasion at some point – but you can win the battle with the aid of Pool Poppit’s fast acting pool algicide. It also acts as a conditioner and clarifier to give you sparkling clear pool water in addition to killing off algal blooms.



## FILTER CARTRIDGE CLEANER

Pool owners with a cartridge filter, listen up – there is a smart solution to help you clean your cartridges easily and without damaging them. Poppit Filter Cartridge Cleaner cleans and degreases your filter cartridges by oxidising - burning up the fats - without harming the filter cartridge.



## POPPITS SPA PIPE DEGREASER

Maintaining a spa is much more than just keeping the visible parts of the spa in good nick – you also need to address any issues that may lay deep within the pipework. Poppit Spa Pipe Degreaser is ideal for cleaning water pipes around spas, removing body fats, algae, plus skin and hair that accumulates in the spa pipes after use.

## MAINTENANCE TREATMENTS

Part Number	Product Description	Nominal Size	Carton Qty	Price per single units	
				NZ List Price	Retail Inc GST
348101	Poppit Filter Cartridge Cleaner	1kg	6	69.00	79.35
348120	Poppit Spa Pipe Degreaser	500mL	12	72.00	82.80



## POPPITS SANITISER 4 WAY TEST STRIPS

Pool and spa water needs to be balanced in order to be healthy – the four key factors that determine whether water is correctly balanced or not are the levels of hydrogen peroxide, pH, total alkalinity and total hardness. Poppits Four Way Test Strips provide pool owners with an easy and fast way to identify potential issues with their pool water. These test strips have many benefits:

- Instant
- Accurate
- Reliable
- Easy to read
- Quick visual check



## POPPIT PEROXSIL TEST STRIPS

It is important to make sure of correct sanitizer & balance levels in you pool & spa. These strips test for the Poppit Peroxsil levels as well as TA & pH.

You simply dunk the strip for 2 seconds for an instant reading. Colour chart on container.

## KITS & STRIPS

Part Number	Product Description	Nominal Size	Carton Qty	Price per single units	
				NZ List Price	Retail Inc GST
348913	Poppit 4 Way Test Strips	each	12	69.00	79.35
348910	Poppit Phosphate Test Strips	each	6	78.00	89.70
348907	4 in 1 Test Strips (Insta)	each	6	52.00	59.80
348915	Peroxsil Test Strips (50 strips)	each	6	65.00	74.75

# Pool And Spa Poppits



## V-PUMP - SUBMERSIBLE PUMP

- Makes draining the spa simple
- Connects to a garden hose
- Drain 1500 Ls in 20 minutes

## SUNDRIES

Part Number	Product Description	Nominal Size	Carton Qty	NZ List Price	Retail Inc GST
2484501	V Pump	each	12	590.00	678.50
2484500	V Pump	each	1	60.00	69.00
60181050	Rotary Drum Pump	each	1	560.00	644.00
348151	Drum cap adaptor with seal	each	1	9.00	10.35



## SPA SAFE

Spa Safe is widely used to disinfect commercial spa baths as required by the Department of Health to eliminate disease causing pathogens from contaminated pipes. When this product is correctly used it should remove body fats and oils from the pipes contained underneath the spa bath.

Ensure to choose a degreaser that also has a sanitising action so that the pipes remain hygienically clean until the bath is used again. You should degrease your spa frequently for comfort and enjoyment of each guest. When the spa is used in a commercial environment this should be between each client or after each room stay.

## SPA SAFE

Part Number	Product Description	Nominal Size	Carton Qty	NZ List Price	Retail Inc GST
348710	Spa Safe Measure bottle 1 LTR Filled	1 L	each	55.00	63.25
348715	Spa Safe Measure 5 LTR bottle	5 L	each	158.00	181.70
348712	Spa Safe Measure 15 LTR	15L	each	289.00	332.35
930085	Spa Safe Printed Tape	1	each	32.00	36.80



## PEROX PH CONTROL

### Features & Benefits:

- Non fuming
- Will not cause corrosion issues if used in a plant room
- Ideal for pool service technicians to help prevent rust to vehicles
- Phosphate remover
- Clarifier
- Algae inhibitor - contains a small amount of copper
- Reduced sanitiser consumption
- Perfect for chemical feed pumps - expect a longer operating life of chemical dosing equipment
- Cost competitive with hydrochloric acid when all of the benefits are considered

## PEROX CHEMICALS

Part Number	Product Description	Nominal Size	Carton Qty	NZ List Price	Retail Inc GST
348395	Perox pH Control 15lt	15 L	1	105.00	120.75





## TCF HOUSINGS

Part Number	Product Description	Ref page	NZ List Price	Retail Inc GST
2150503	C50 TCF (empty)	202		
2150753	C75 TCF (empty)	202	830.00	954.50



## TCF GRANULAR MEDIA CARTRIDGE COMPONENTS

Part Number	Product Description	Ref page	NZ List Price	Retail Inc GST
3651922	Trimline Bottle (c/w slots) - 12 litre capacity	202	97.00	111.55
3651923	Trimline Bottle (w/o slots) - 12 litre capacity	202	97.00	111.55
644771	TCF sealing washer	-	25.00	28.75
62078	TCF cartridge spacer	-	18.70	21.51
72514690	TCF cartridge spacer O'ring	-	4.50	5.18



## TCF GRANULAR MEDIA PRE-FILTER CARTRIDGES

Part Number	Product Description	Ref page	NZ List Price	Retail Inc GST
62031	C25 5 micron Cartridge	-	216.00	248.40
620311	C25 10 micron Cartridge	-	173.00	198.95
6204020	C25 20 micron Cartridge	-	94.00	108.10
62040	C25 30 micron Cartridge	-	109.00	125.35



## TCF CARTRIDGES

Pleated Polyester Filter Cartridges

Part Number	Product Description	Ref page	NZ List Price	Retail Inc GST
62041	C50 5 micron Cartridge	202	350.00	402.50
62043	C75 5 micron Cartridge	202	495.00	569.25
620411	C50 10 micron Cartridge	202	279.00	320.85
620431	C75 10 micron Cartridge	202	395.00	454.25
6204220	C50 20 micron Cartridge	202	198.00	227.70
6204420	C75 20 micron Cartridge	202	264.00	303.60
62042	C50 30 micron Cartridge	202	159.00	182.85
62044	C75 30 micron Cartridge	202	197.00	226.55



## TBF HOUSING

(5 year conditional tank warranty)

Part Number	Product Description	Ref page	NZ List Price	Retail Inc GST
3761050	C50 TBF Housing	203	1,200.00	1,380.00
37610750	C75 TBF Housing	203	1,450.00	1,667.50
37610752	C75 TBF Housing with Viton O Rings	203	1,600.00	1,840.00



## TBF POLYPROPYLENE FILTER BAGS

Part Number	Product Description	Ref page	NZ List Price	Retail Inc GST
<b>C50</b>				
3651931	1 Micron Filter Bag	-	35.70	41.06
3651924	5 Micron Filter Bag	-	35.70	41.06
3651925	25 Micron Filter Bag	-	35.70	41.06
3651926	50 Micron Filter Bag	-	35.70	41.06
36519261	100 Micron Filter Bag	-	35.40	40.71
36519265	800 Micron Filter Bag	-	52.50	60.38
<b>C75</b>				
36519310	1 Micron Filter Bag	-	47.60	54.74
36519240	5 Micron Filter Bag	-	47.60	54.74
36519250	25 Micron Filter Bag	-	47.60	54.74
36519260	50 Micron Filter Bag	-	47.60	54.74
36519262	100 Micron Filter Bag	-	47.60	54.74
36519266	800 Micron Filter Bag	-	59.50	68.43



## SLIMLINE CARTRIDGE FILTERS

Part Number	Product Description	Ref page	NZ List Price	Retail Inc GST
62051	Slimline Filter Cartridge 30 Micron	203	127.00	146.05
620510	Slimline Filter Cartridge 5 Micron	203	156.00	179.40



## MULTICYCLONE PRO

Part Number	Product Description	Ref page	Nominal Size	NZ List Price	Retail Inc GST
2003850	MultiCyclone PRO	204	50mm	1,150.00	1,322.50

## MICRON W FILTERS - Tank only 7 Bar pressure rating

Part Number	Product Description	Ref page	NZ List Price	Retail Inc GST
2247250	Micron W250 7Bar 4"N/Ring Tank only	203	620.00	713.00
22473011	Micron W300 7Bar 4"N/Ring Tank only	-	660.00	759.00
22473571	Micron W350 7Bar 4"N/Ring Tank only	-	740.00	851.00
22474071	Micron W400 7Bar 4"N/Ring Tank only	-	860.00	989.00
22475071	Micron W500 7Bar 4"N/Ring Tank only	-	990.00	1,138.50
22476071	Micron W600 7Bar 4"N/Ring Tank only	-	1,250.00	1,437.50
22477071	Micron W700 7Bar 4"N/Ring Tank only	-	1,850.00	2,127.50

## MICRON W FILTERS with MPV 7 Bar pressure rating

Part Number	Product Description	Ref page	NZ List Price	Retail Inc GST
224725010	Micron W250 (700kPa) - c/w 40mm 5 way MPV	191	930.00	1,069.50
22473010	Micron W300 (700kPa) - c/w 40mm 5 way MPV	-	990.00	1,138.50
22473570	Micron W350 (700kPa) - c/w 40mm 5 way MPV	-	1,050.00	1,207.50
22474070	Micron W400 (700kPa) - c/w 40mm 5 way MPV	-	1,200.00	1,380.00
22475070	Micron W500 (700kPa) - c/w 40mm 5 way MPV	-	1,300.00	1,495.00
22476070	Micron W600 (700kPa) - c/w 40mm 5 way MPV	-	1,500.00	1,725.00
22477070	Micron W700 (700kPa) - c/w 40mm 5 way MPV	-	2,150.00	2,472.50

## MICRON WD FILTERS - Tank only 7 Bar pressure rating

Part Number	Product Description	Ref page	NZ List Price	Retail Inc GST
22483071	Micron WD300 7Bar 4"N/Ring Tank only	-	950.00	1,092.50
22483571	Micron WD350 7Bar 4"N/Ring Tank only	-	1,200.00	1,380.00
22484071	Micron WD400 7Bar 4"N/Ring Tank only	-	1,300.00	1,495.00
22485071	Micron WD500 7Bar 4"N/Ring Tank only	-	1,400.00	1,610.00
22486071	Micron WD600 7Bar 4"N/Ring Tank only	-	1,800.00	2,070.00
22487071	Micron WD700 7Bar 4"N/Ring Tank only	-	2,400.00	2,760.00

## MICRON WD FILTERS with MPV 7 Bar pressure rating

Part Number	Product Description	Ref page	NZ List Price	Retail Inc GST
22483070	Micron WD300 (700kPa) - c/w 40mm 5 way MPV	-	1,150.00	1,322.50
22483570	Micron WD350 (700kPa) - c/w 40mm 5 way MPV	-	1,300.00	1,495.00
22484070	Micron WD400 (700kPa) - c/w 40mm 5 way MPV	-	1,350.00	1,552.50
22485070	Micron WD500 (700kPa) - c/w 40mm 5 way MPV	-	1,700.00	1,955.00
22486070	Micron WD600 (700kPa) - c/w 40mm 5 way MPV	-	2,050.00	2,357.50
22487070	Micron WD700 (700kPa) - c/w 40mm 5 way MPV	-	2,700.00	3,105.00

# Filters - Filter Bag



## TCF FILTERS

The TCF series housings are designed for top loading with an easy locking ring system requiring no additional tools for simple cartridge removal and replacement.

The TCF series housings are fabricated from high impact polypropylene to be compatible with a wide range of fluids.

- One piece mould construction
- Easy locking ring system
- Maximum pressure rating of 600kPa (87psi)

Trimline cartridge filters are designed to house either a pleated filter cartridge or a granular media cartridge.

## TCF GRANULAR MEDIA CARTRIDGE COMPONENTS

Trimline granular media cartridges are able to house 12L of filter media and are designed to allow water to enter via the top of the cartridge and flow through the full height of the filter bed before exiting at the bottom of the cartridge.

## TCF CARTRIDGES

Trimline Pleated Filter Cartridges are fabricated from pleated reusable polyester fabric.

The media has been pleated to provide 2.3 to 6.9 square metres of surface area in order to maximise the cartridge dirt holding capacity and extend the time between cleaning.

### TCF HOUSINGS

Part Number	Product Description	NZ List Price	Retail Inc GST
2150503	C50 TCF (empty)		
2150753	C75 TCF (empty)	830.00	954.50

### TCF GRANULAR MEDIA CARTRIDGE COMPONENTS

Part Number	Product Description	NZ List Price	Retail Inc GST
3651922	Trimline Bottle (c/w slots) - 12L capacity	97.00	111.55
3651923	Trimline Bottle (w/o slots) - 12L capacity	97.00	111.55
644771	TCF sealing washer	25.00	28.75
62078	TCF cartridge spacer	18.70	21.51
72514690	TCF cartridge spacer O'ring	4.50	5.18

### TCF CARTRIDGES

Pleated Polyester Filter Cartridges

Part Number	Product Description	NZ List Price	Retail Inc GST
62041	C50 5 micron Cartridge	350.00	402.50
62043	C75 5 micron Cartridge	495.00	569.25
620411	C50 10 micron Cartridge	279.00	320.85
620431	C75 10 micron Cartridge	395.00	454.25
6204220	C50 20 micron Cartridge	198.00	227.70
6204420	C75 20 micron Cartridge	264.00	303.60
62042	C50 30 micron Cartridge	159.00	182.85
62044	C75 30 micron Cartridge	197.00	226.55

## COMMANDOMATIC TBF HOUSING



The Trimline Bag Filter (TBF) offers an economical and user friendly alternative to many liquid filtration applications with favourable operating cost benefits.

TBF filter bags are particularly useful for the filtration of high viscosity liquids and liquids with a high level of particulate concentration.

TBF housings are constructed from high impact polypropylene to be compatible with a wide range of fluids and its ergonomic screw down lid is designed for simple hand operation allowing for a quick filter changeover.

- Ideal as a coarse pre-filter / leaf trapper
- Disposable filter bags
- One piece mould construction
- Able to withstand up to 600kPa (87psi)

## TBF HOUSING

(5 year conditional tank warranty)

Part Number	Product Description	NZ List Price	Retail Inc GST
3761050	C50 TBF Housing	1,200.00	1,380.00
37610750	C75 TBF Housing	1,450.00	1,667.50
37610752	C75 TBF Housing with Viton O Rings	1,600.00	1,840.00



## SLIMLINE CARTRIDGE FILTERS

The Slimline takes up a mere 250sq.cm of valuable floor space. Not only is it smart on space, it's also smart on design. The lock ring lid makes cartridge removal and replacement so easy. No additional tools are needed.

- Occupies minimal space
- Pleated Filter Cartridge increases filter capacity
- Washable Synthetic Filter
- Long-lasting fabric
- Innovative Lock Ring Lid for easy usage and maintenance• Able to withstand up to 600kPa (87psi)

## SLIMLINE CARTRIDGE FILTERS

Part Number	Product Description	NZ List Price	Retail Inc GST
62051	Slimline Filter Cartridge 30 Micron	127.00	146.05
620510	Slimline Filter Cartridge 5 Micron	156.00	179.40

# Micron W Filters



## MULTICYCLONE PRO

Waterco's award winning Multicyclone is a brilliant pre-filtration device that works on the basis of centrifugal water filtration and is designed with no moving parts and no filter media to clean or replace.

- Specifically designed for commercial applications that require higher pressure rating
- Outstanding pressure rating of 690kPa (10PSI)
- No filter media to clean or replace
- Suitable for new and existing installations
- Minimises filter maintenance and saves water
- 2 year warranty

## MULTICYCLONE PRO

Part Number	Product Description	Nominal Size	NZ List Price	Retail Inc GST
2003850	MultiCyclone PRO	50mm	1,150.00	1,322.50



## MICRON W FILTER

Waterco Micron filters are known throughout the industry for their impressive performance and reliability. Manufactured from the highest grade of non corrosive materials and employing the latest in fibreglass winding technology, Micron filters are built for many years of trouble free operation.

Micron W Filters are designed with respective filter bed depth of 600mm. Combining filter housing and various filter media the Micron W Filters can be fitted in configurations to provide multi-stage comprehensive water conditioning.

## MICRON W FILTERS - Tank only 7 Bar pressure rating

Part Number	Product Description	NZ List Price	Retail Inc GST
2247250	Micron W250 7Bar 4"N/Ring Tank only	620.00	713.00
22473011	Micron W300 7Bar 4"N/Ring Tank only	660.00	759.00
22473571	Micron W350 7Bar 4"N/Ring Tank only	740.00	851.00
22474071	Micron W400 7Bar 4"N/Ring Tank only	860.00	989.00
22475071	Micron W500 7Bar 4"N/Ring Tank only	990.00	1,138.50
22476071	Micron W600 7Bar 4"N/Ring Tank only	1,250.00	1,437.50
22477071	Micron W700 7Bar 4"N/Ring Tank only	1,850.00	2,127.50

## MICRON W FILTERS with MPV 7 Bar pressure rating

Part Number	Product Description	NZ List Price	Retail Inc GST
224725010	Micron W250 (700kPa) - c/w 40mm 5 way MPV	930.00	1,069.50
22473010	Micron W300 (700kPa) - c/w 40mm 5 way MPV	990.00	1,138.50
22473570	Micron W350 (700kPa) - c/w 40mm 5 way MPV	1,050.00	1,207.50
22474070	Micron W400 (700kPa) - c/w 40mm 5 way MPV	1,200.00	1,380.00
22475070	Micron W500 (700kPa) - c/w 40mm 5 way MPV	1,300.00	1,495.00
22476070	Micron W600 (700kPa) - c/w 40mm 5 way MPV	1,500.00	1,725.00
22477070	Micron W700 (700kPa) - c/w 40mm 5 way MPV	2,150.00	2,472.50



## GRAVITY WATER PURIFIERS

Part Number	Product Description	Ref page	NZ List Price	Retail Inc GST
36410008	Stoneware Purifier 8 Litre - (Incl. Gravity Ceramic Cartridge)	206	236.00	271.40

## REPLACEMENT FILTER CARTRIDGES (GRAVITY PURIFIERS)

Part Number	Product Description	Ref page	NZ List Price	Retail Inc GST
3648045	Gravity Ceramic Cartridge (6pk)		237.00	272.55
3648040	Gravity Ceramic Cartridge (Single)	206	42.50	48.88
7743809	CZR Cartridge	206	61.00	70.15
3648070	Dome Ceramic Cartridge	-	62.50	71.88
3648050	Gravity Candle Premium		55.50	63.83

## REPLACEMENT FILTER CARTRIDGES (GRAVITY PURIFIERS)

Part Number	Product Description	Ref page	NZ List Price	Retail Inc GST
36310	Filterking Single Housing - opaque		52.00	59.80

# Undersink Replacement Cartridges



## SEDIMENT CARTRIDGES

Part Number	Product Description	NZ List Price	Retail Inc GST
3651993	5 Micron Sediment Cartridge Used for super fine filtration of water where small amounts only of sediment is likely in the incoming water and a good quality outfeed water is required for high quality drinking water.	18.50	21.28
3651991	25 Micron Sediment Cartridge Used for fine filtration or pre-filtration of water where large amounts of larger sediment particles are evident.	18.50	21.28



## PURIFICATION CARTRIDGES

Suit most filter housings, e.g Gemini & Filterking. The purification cartridges are manufactured from food grade materials and are especially recommended for drinking water purification.

Part Number	Product Description	NZ List Price	Retail Inc GST
3651970	Extruded Carbon Block Filter (1 microns) Combines advanced Filtration and Adsorption properties in the one cartridge. Significantly removing bacterial & cysts, unpleasant taste & odours and organic pesticides.	55.00	63.25
3651919	Long Life CZR/Carbon Cartridge Combines Adsorption and Redox properties in the one cartridge. Significantly removing dissolved metals (e.g. iron & lead), unpleasant taste & odours and organic pesticides.	69.00	79.35

# Drinking Water Purifiers



Gravity Ceramic Cartridge



Dome Ceramic Cartridge

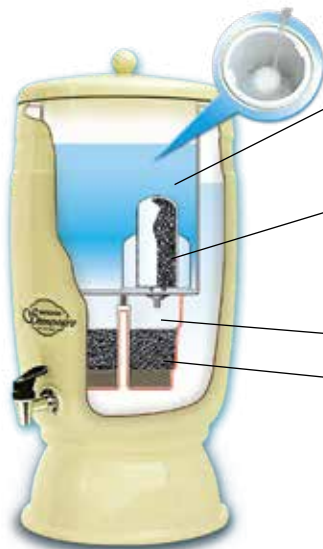


CZR Cartridge

## GRAVITY WATER PURIFIERS

Constructed from porcelain and attractively glazed, its classic features are designed to suit any decor. Simply fill the upper reservoir with water and let gravity do the rest.

- Requiring no plumbing or electrical connections
- Located either in the home, office or outdoors.



- **Step 1**  
Fill the upper reservoir with ordinary tap water.
- **Step 2 - Ceramic Cartridge**  
The ceramic layer filters suspended solids and microorganisms. (e.g.E.Coli, Giardia & Cryptosporidium).
- **Step 3 - Activated Carbon**  
The filter's core of activated carbon adsorbs offending organic chemicals, tastes, odour and chlorine.
- **Step 4 - CZR Canister (optional)**
  - a) The extra bed of activated carbon extends the replacement interval of the ceramic cartridge.
  - b) The CZR electrochemically removes dissolved metals plus its bacteriostatic properties keep the water in the lower reservoir sanitised.

NOTE: CZR cartridges are only supplied with Stoneware Plus Water Purifiers and available for separate purchase.

### Stoneware Water Purifier are able to Significantly Remove:

- Bacteria and Cysts (E.coli, Giardia, Cryptosporidium)
- Suspended Solids (Dirt, Rust and Algae)
- Chlorine (Taste Problems)
- Hydrogen Sulphide (Odour Problems)
- Organic Pesticides (Lindane)
- Dissolved Metals (Lead, Iron)

**Waterco Ceramic Cartridges** are made of micro-porous ceramic material, internally coated with an antibacterial treatment of Silver Nitrate. Within the Waterco Ceramic Cartridge is a Granular Activated Carbon Core.

### Replacement Periods

For optimal performance, replace the ceramic cartridges every 4 months. If used in combination with the CZR canister, extend the replacement period to 12 months. For optimal performance, replace the CZR canister every 12 months.

## GRAVITY WATER PURIFIERS

Part Number	Product Description	NZ List Price	Retail Inc GST
36410008	Stoneware Purifier 8 L - Incl. Gravity Ceramic Cartridge	236.00	271.40

## REPLACEMENT FILTER CARTRIDGES (GRAVITY PURIFIERS)

Part Number	Product Description	NZ List Price	Retail Inc GST
3648040	Gravity Ceramic Cartridge (Single)	42.50	48.88
7743809	CZR Cartridge	61.00	70.15
3648070	Dome Ceramic Cartridge	62.50	71.88

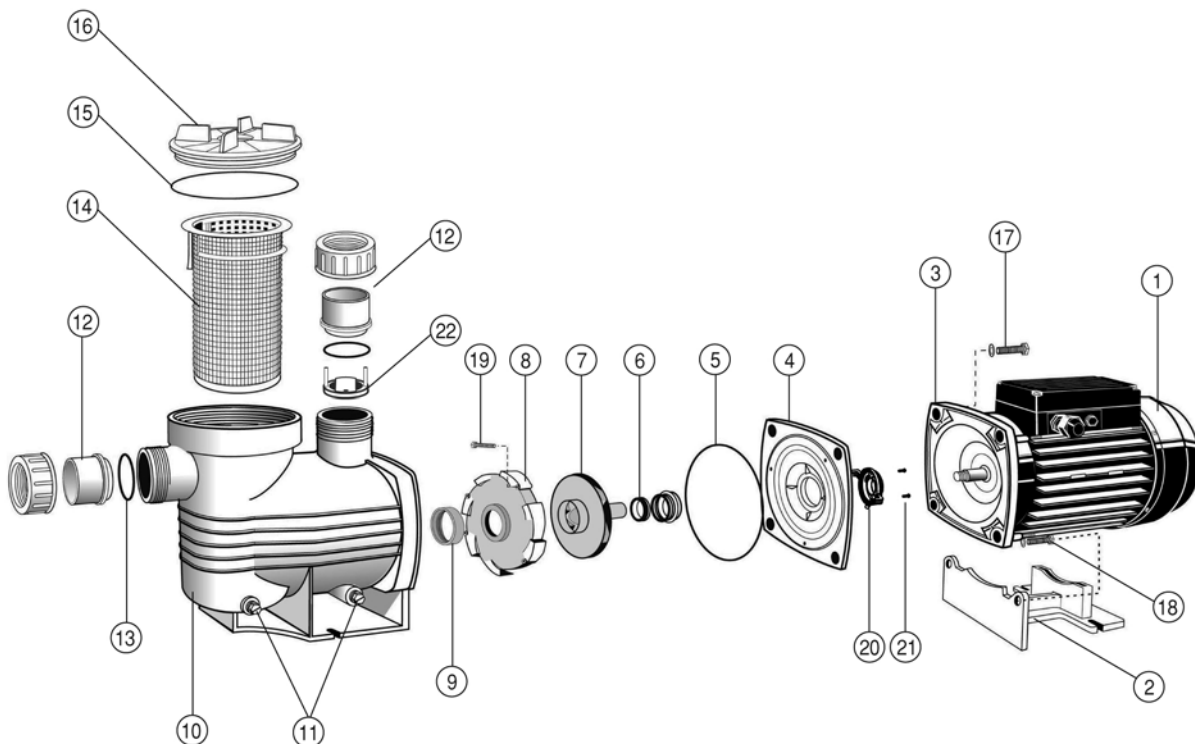
**NOTE:**



# AQUAMITE Also AQUASWIM Series 40C

Product Code: 2402050, 2402075, 2402100, 2402125, 2402050a, 2402075A, 2402100A, 2402125A

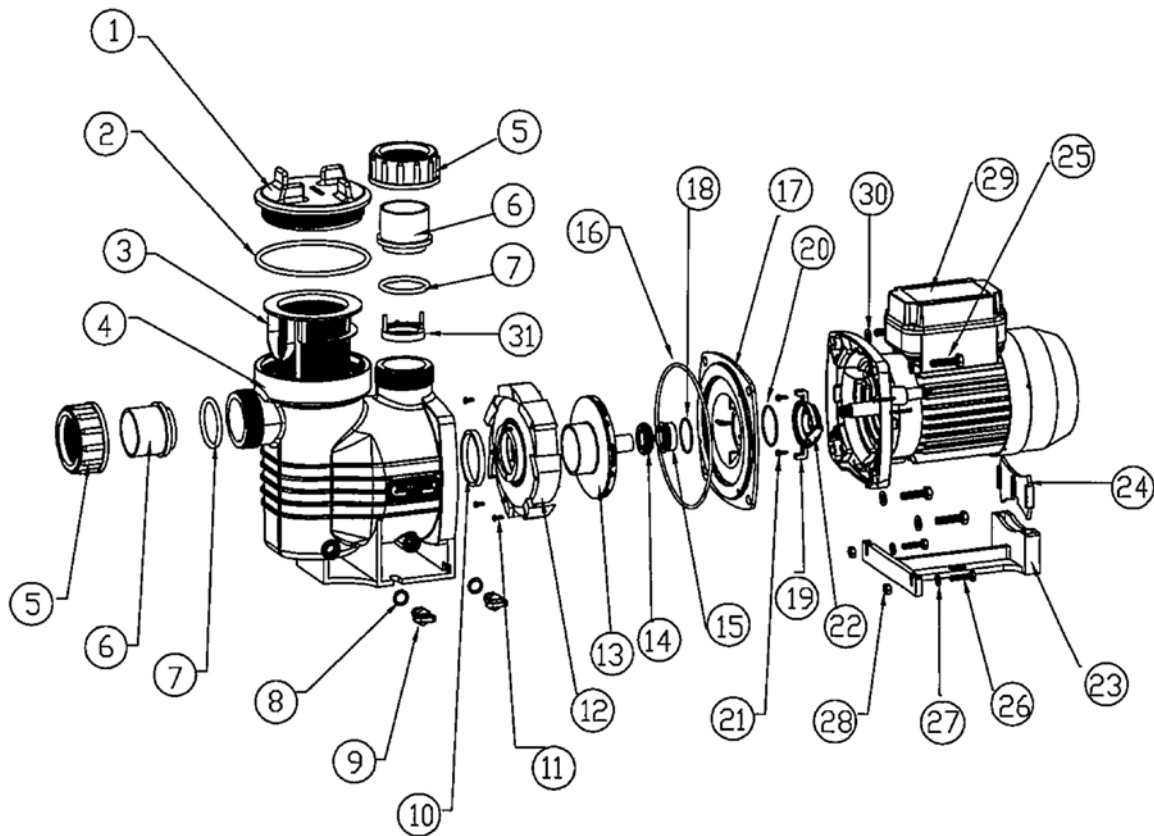
Part Number	Product Description	Diagram Number	List Price	Price Inc Gst
6307245	Motor 1.17kW no slinger required	1	780.00	897.00
635072	Pump foot	2	28.50	32.78
635074	Pump foot insert	n/s	7.10	8.17
634047	Motor end shield (for 6307245)	3	225.00	258.75
S1226911	Pump body O-ring	5	8.50	9.78
6340162	Mechanical Seal SS 316	6	36.60	42.09
635065	Impeller (Aquamite 50)	7	136.00	156.40
635066	Impeller (Aquamite 75)	7	136.00	156.40
635067	Impeller (Aquamite 100)	7	136.00	156.40
635068	Impeller (Aquamite 125)	7	136.00	156.40
S1228633	Shim (set of 3)	n/s	10.90	12.54
635061	Diffuser	8	66.00	75.90
635060	Diffuser gasket	9	11.90	13.69
635082	Pump face h/l pot body	10	345.00	396.75
63402302	Drain plug	11	4.70	5.41
122243B	40mm half union c/w O-ring	12	10.80	12.42
64479	Half union o ring	13	4.40	5.06
635085	Aquamite Basket	14	23.30	26.80
635084	H/L pot lid O-ring	15	5.70	6.56
635083	H/L Pot lid	16	93.50	107.53
63505321	Aquamite multi pack M8 bolts & washers	17/18	29.00	33.35
6302180	4 x 6302180 (M8 washer)		1.40	1.61
6350540	2 x 6350540 (M8 x 40 bolt)		10.80	12.42
63506350	Aquamite Adaptor Kit:-		213.00	244.95
	6350635 - Aquastream bracket with M3 insert & groove	4 & 19		
	S1290816 - Screw M3x30mm Pan Head SS (each, 4 required)	19		
	6340165 - Flange Protector Kit	20		
	63400833 - Screw #4x3/8" Pan Head SS (each, 2 required)	21		
	6340162 - Mechanical Seal SS 316	6		
85517	Solar Insert Check Valve	22	10.70	12.31
634086	Toolbar (suits all pumps)	n/s	18.30	21.05
63404402	FAN 63F BCB MTR (6307245)		51.50	59.23
63404401	COWL 63F BCB MTR(6307245)		51.50	59.23



# AQUAMITE 50-125 40mm

Product Code: 2402050, 2402075, 2402100 & 2402125

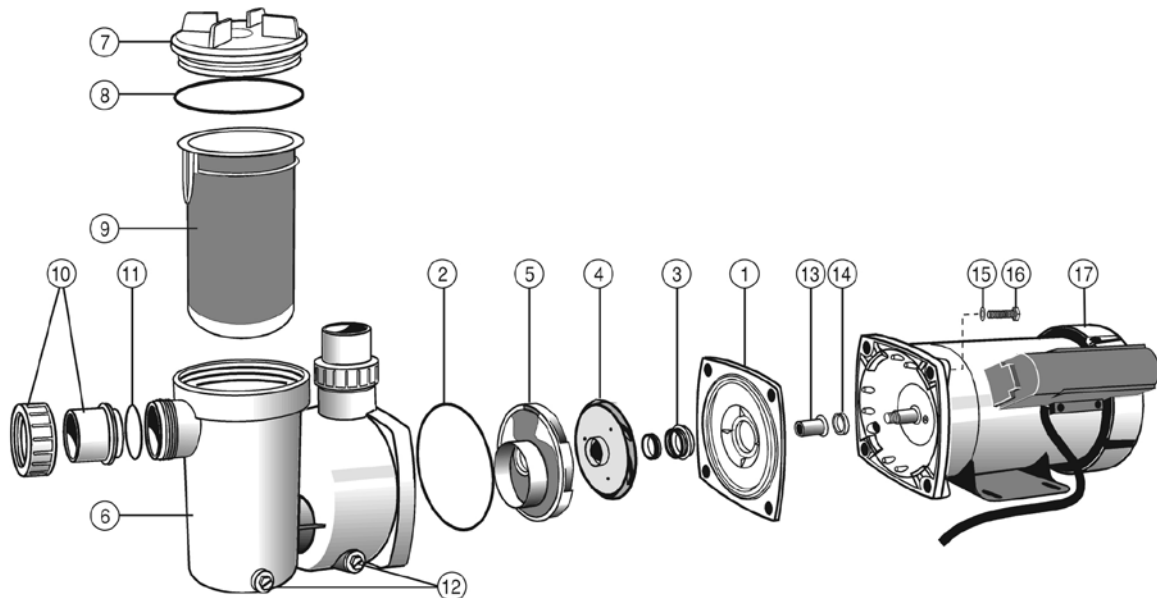
Part Number	Product Description	Diagram Number	List Price	Price Inc Gst
635083	Lid	1	93.50	107.53
635084	Lod O-ring	2	5.70	6.56
6350850	Basket - Fine Mesh	3	26.50	30.48
635082	H&L Pot Body	4	345.00	396.75
122243B	Half barrel union c/w O-ring	5/6/7	10.80	12.42
64479	Union o ring	7	4.40	5.06
620193	O-ring BS112	8	4.30	4.95
63402302	Drain Plug 1/4"	9	4.70	5.41
635060	Sleeve Coupling	10	11.90	13.69
S1290816	Screw M3X30mm	11	0.90	1.04
635061	Diffuser	12	66.00	75.90
635064	Impellor 0.33HP	13	118.00	135.70
635065	Impellor 0.50HP	13	136.00	156.40
635066	Impellor 0.75HP	13	136.00	156.40
635067	Impellor 1.0HP	13	136.00	156.40
635068	Impellor 1.25HP	13	136.00	156.40
6340162	Mechanical Seal SS 316	14/15	36.60	42.09
S1226911	O-ring 0.093 X 6.187	16	8.50	9.78
6350635	Bracket w/M3 Insert & Grove	17	61.00	70.15
63813922	O-ring BS029	18	4.40	5.06
6340163	Flange Protector	19	4.80	5.52
63813921	O-ring Pump Flange Protector Pot Body	20	4.30	4.95
63400833	Screw 4X3/8" Pan Head	21	1.10	1.27
SB112702	Tube PVC 5mmx65mm Long	22	0.00	
6340222	Pump Fott (Modified)	23	38.00	43.70
634021	Pump Foot Insert	24	23.40	26.91
63400410	Foot Bolt	26	4.60	5.29
6340030	Foot Washer	27	1.70	1.96
6340060	Pot Foot Nut	28	1.00	1.15
6350255	Motor 550W	29	620.00	713.00
6350275	Motor 750W	29	910.00	1,046.50
6302180	Mounting Washer	30	1.40	1.61
85517	Solar Insert Check Valve	31	10.70	12.31



# AQUASTREAM (January 1996 to January 1999) Replaced by Supastream

Part Number	Product Description	Diagram Number	List Price	Price Inc Gst
S121691	Adapter plate	1	69.00	79.35
S1226911	Body O-ring	2	8.50	9.78
6340162	Mechanical seal 316 S/S	3	36.60	42.09
63613885	Impeller (Aquastream 50)	4	136.00	156.40
63613886	Impeller (Aquastream 75)	4	136.00	156.40
S12937E1	Impeller (Aquastream 100)	4	136.00	156.40
S12938E1	Impeller (Aquastream 125)	4	136.00	156.40
63613887	Impeller (Aquastream 150)	4	136.00	156.40
635050	Pump face H/L pot	6	345.00	396.75
85517	Clacker valve (drain down)	n/s	10.70	12.31
635051	H/L pot lid	7	97.50	112.13
635052	H/L pot lid O-ring	8	5.70	6.56
122243B	Half barrel union c/w O-ring	10	10.80	12.42
64479	Union O-ring	11	4.40	5.06
634023	Drain plug	12	6.50	7.48
S1228633	Shim (set of 3)	14	10.90	12.54
63505321	Multi pack M8 bolts & washers 2 x 6350530 (M8 x 30 bolt) 4 x 6302180 (M8 Washer) 2 x 6350540 (M8 x 40 bolt)	15/16	29.00	33.35
6307245A	Motor 1.17kW with foot (50 - 125)	17	690.00	793.50
635035L	Motor 1.68kW (150) no slinger required	17	1,050.00	1,207.50
6350720	Pump foot (for 635035L)	n/s	25.90	29.79
634047	End Shield (for 6307245A)	n/s	225.00	258.75
634086	Toolbar (suits all pumps)	n/s	18.30	21.05
635061	AQSTREAM 98 DIFFUSER	5	66.00	75.90
635060	AQSTREAM 98 SLEEVE COUPLING	13	11.90	13.69

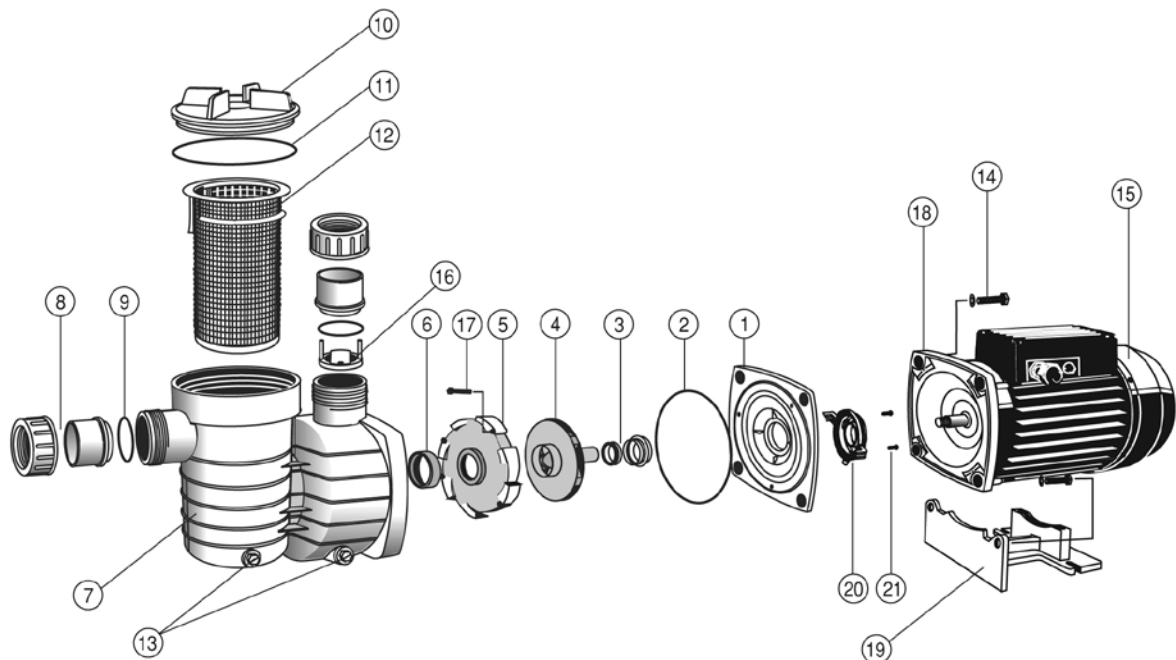
Note: When replacing hair and lint pot body please change all internals to post 1999 model for correct fit.



# AQUASTREAM (post Jan 1999) Also AQUASWIM Series 40

Product Code: 2431075, 2431100, 2431125, 2431150

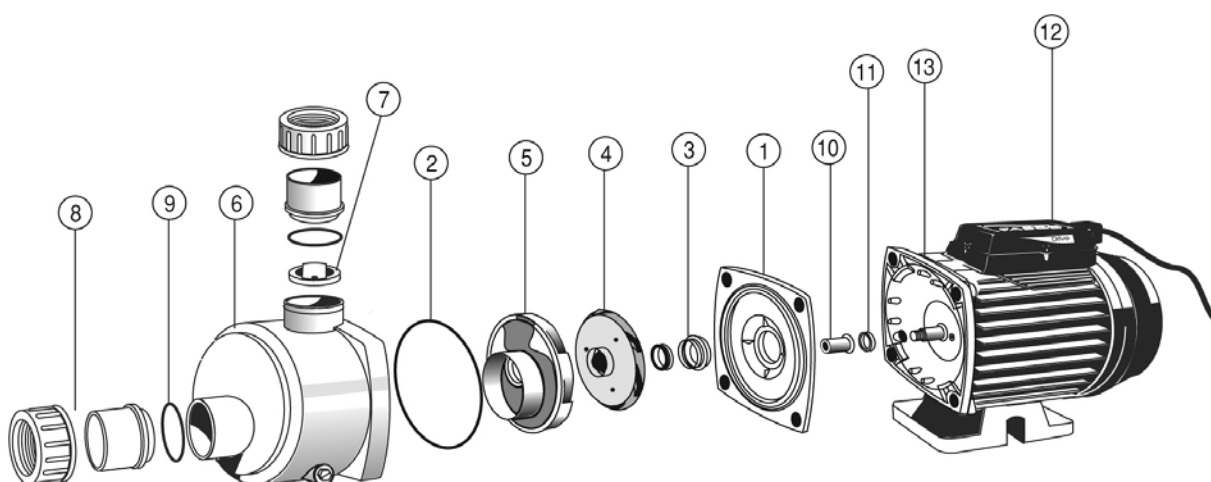
Part Number	Product Description	Diagram Number	List Price	Price Inc Gst
S1226911	Body O-ring	2	8.50	9.78
635065	Impeller (Aquastream 50)	4	136.00	156.40
635066	Impeller (Aquastream 75)	4	136.00	156.40
635067	Impeller (Aquastream 100)	4	136.00	156.40
635068	Impeller (Aquastream 125)	4	136.00	156.40
635069	Impeller (Aquastream 150)	4	136.00	156.40
635061	Diffuser	5	66.00	75.90
635060	Diffuser gasket	6	11.90	13.69
635059	Pump face H/L pot	7	345.00	396.75
122243B	Half barrel union c/w O-ring	8	10.80	12.42
64479	Union O-ring	9	4.40	5.06
635051	H/L pot lid	10	97.50	112.13
635052	H/L pot lid O-ring	11	5.70	6.56
635054	H/L pot basket	12	35.60	40.94
63402302	Drain plug	13	4.70	5.41
63505321	Aquamite multi pack M8 bolts & washers 2 x 6350530 (M8 x 30 bolt) 4 x 6302180 (M8 Washer) 2 x 6350540 (M8 x 40 bolt)	14	29.00	33.35
6307245A	Motor 1.17kW with foot (50 - 125)	15	690.00	793.50
635035L	Motor 1.68kW (150) no slinger required	15	1,050.00	1,207.50
85517	Clacker valve (drain down)	16	10.70	12.31
634047	End shield (for 6307245A)	18	225.00	258.75
AXPU158	Pump foot (for 6307245A)	19	25.40	29.21
6350720	Pump foot (for 635035L)	19	25.90	29.79
634086	Toolbar (suits all pumps)	n/s	18.30	21.05
63506350	Aquastream Adaptor Kit:-		213.00	244.95
	6350635 Aquastream Bracket Kit	1 & 17		
	S1290816 - Screw M3x30mm Pan Head SS (each, 4 required)	17		
	6340165 - Flange Protector Kit	20		
	63400833 - Screw #4x3/8" Pan Head SS (each, 2 required)	21		
	6340162 - Mechanical Seal SS 316	3		



# AQUASTREAM SOLAR

Part Number	Product Description	Diagram Number	List Price	Price Inc Gst
S121691	Adapter plate	1	69.00	79.35
S1226911	Pump body O-ring	2	8.50	9.78
6340162	Mechanical seal	3	36.60	42.09
63613885	Impeller (Aquastream Solar 50 MK I)	4	136.00	156.40
63613886	Impeller (Aquastream Solar 75 MK I)	4	136.00	156.40
S12937E1	Impeller (Aquastream Solar 100 MK I)	4	136.00	156.40
S12938E1	Impeller (Aquastream Solar 125 MK I)	4	136.00	156.40
63613887	Impeller (Aquastream Solar 150 MK I)	4	136.00	156.40
S126761	Clacker valve (drain down)	7	11.00	12.65
S13185A	Half barrel union c/w O-ring	8	42.90	49.34
S0809711	Union O-ring	9	4.30	4.95
S1228633	Shim (set of 3)	11	10.90	12.54
6307245A	Motor 1.17kW with foot ( 50 - 125)	12	690.00	793.50
635035L	Motor 1.68kW (150) no slinger required	12	1,050.00	1,207.50
6350720	Pump foot (for 635035L)		25.90	29.79
634047	Motor end shield (for 6307245A)	13	225.00	258.75
S11609641	Aquastream solar multi pack M8 bolts & washers 4 x 6350540 (M8 x 40 bolt) 4 x 6302180 (M8 washer) 4 x 63024 (Nut 8mm)	n/s	15.80	18.17
6340040	Hex Set Screw M6x20 S/S316 (2 required)		2.90	3.34
S116086	M8 x 55 bolt (150 MK I) - 2 required		5.70	6.56
638153	Porta Pac Pump Diffuser MK2	5	68.50	78.78
635079	A/S Solar Pump Body 40mm Ext MK2	6	277.00	318.55

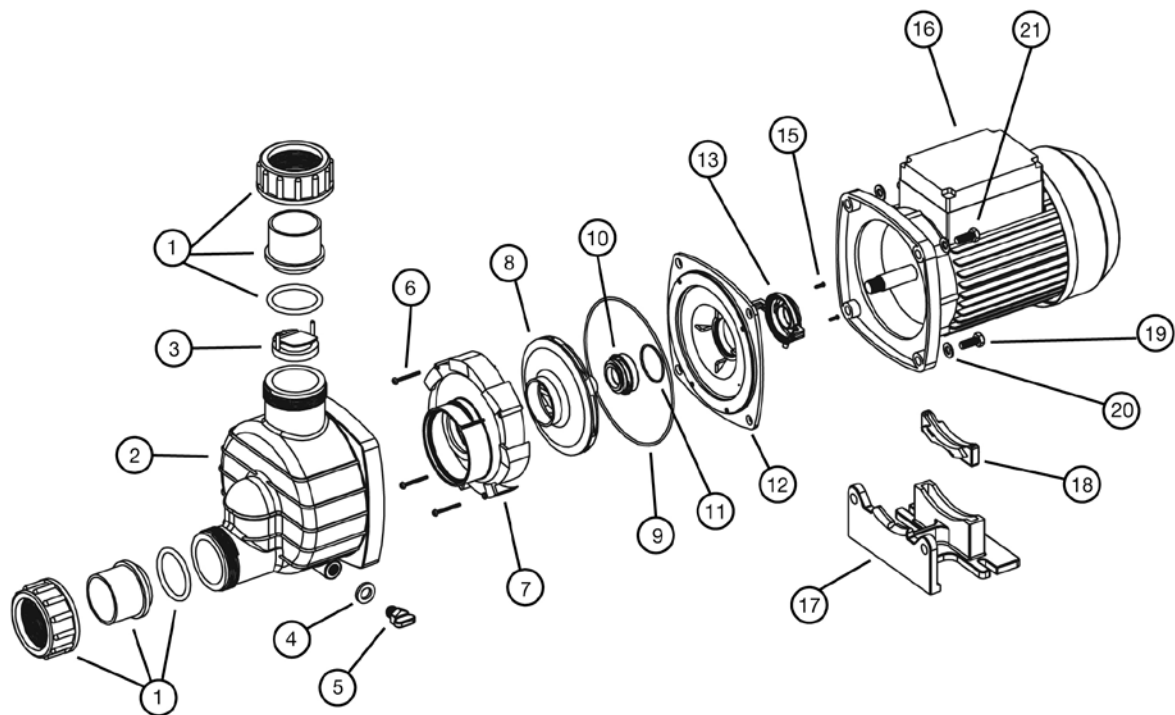
PORTA PAC PUMP DIFFUSER MK2  
A/S SOLAR PUMP BODY 40MM EXT. MK2



# AQUASTREAM SOLAR MKII

Product Code: 24530500, 24530750, 245301000, 245301250, 245301500

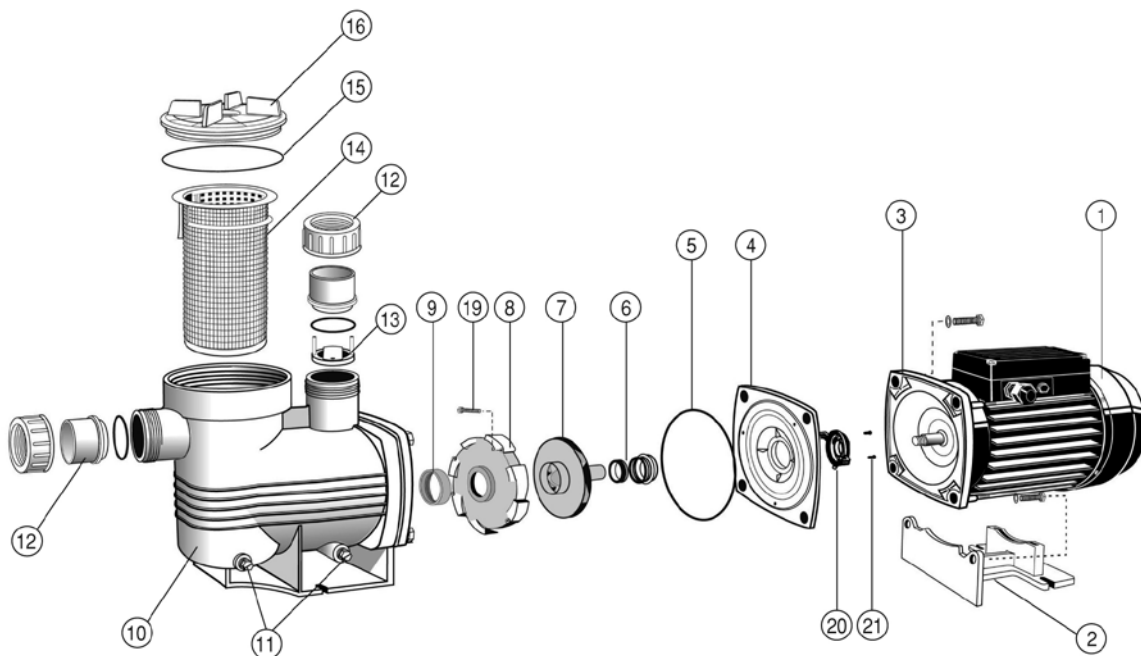
Part Number	Product Description	Diagram Number	List Price	Price Inc Gst
122243B	Half Union 40mm c/w O-ring	1	10.80	12.42
64479	O-ring Half Union 40mm	1	4.40	5.06
635079	Pump Body	2	277.00	318.55
85517	Solar Check Valve	3	10.70	12.31
S0808921	Drain Plug Washer	4	3.10	3.57
63402302	Drain Plug	5	4.70	5.41
638153	Diffuser	7	68.50	78.78
63613892	Impeller (Aquastream Solar 50)	8	128.00	147.20
635096	Impeller (Aquastream Solar 75)	8	136.00	156.40
635097	Impeller (Aquastream Solar 100)	8	136.00	156.40
6350984	Impeller (Aquastream Solar 125)	8	136.00	156.40
635099	Impeller (Aquastream Solar 150)	8	136.00	156.40
S1226911	Pump Body O-ring	9	8.50	9.78
63506350	Adapter Kit - consists of:		213.00	244.95
	6350635 - Adapter Plate	12		
	6340165 - Flange Protector Kit	13		
	63400833 - Screws (2 required)	15		
	6340162 - Mechanical Seal	10		
	63813922 - O-ring	11		
	S1290816 - Screws M3 x 30 (4 required)	6		
6307245	Motor 1.17kW no slinger required (50-125)	16	780.00	897.00
635035L	Motor 1.68kW (150) no slinger required	16	1,050.00	1,207.50
635035F	Motor 71F 1500WQTE A15 (150)	16	1,050.00	1,207.50
635072	Pump Foot (Aquastream Solar 50-125)	17	28.50	32.78
6350720	Pump foot (Aquastream Solar 150)		25.90	29.79
635074	Pump Foot Insert (Aquastream Solar 50-125)	18	7.10	8.17
63505321	Multi pack M8 bolts & washers		29.00	33.35
	2 x 6350540 (M8 x 40 bolt)	19		
	4 x 6302180 (M8 washer)	20		
	2 x 6350530 (M8 x 30 bolt)	21		
634047	Motor end shield (for 6307245A)	n/s	225.00	258.75



# SUPASTREAM Also AQUASWIM Series 40S & LACRON GRANGE

Product Code: 2403075, 2403100, 2403125, 2403150

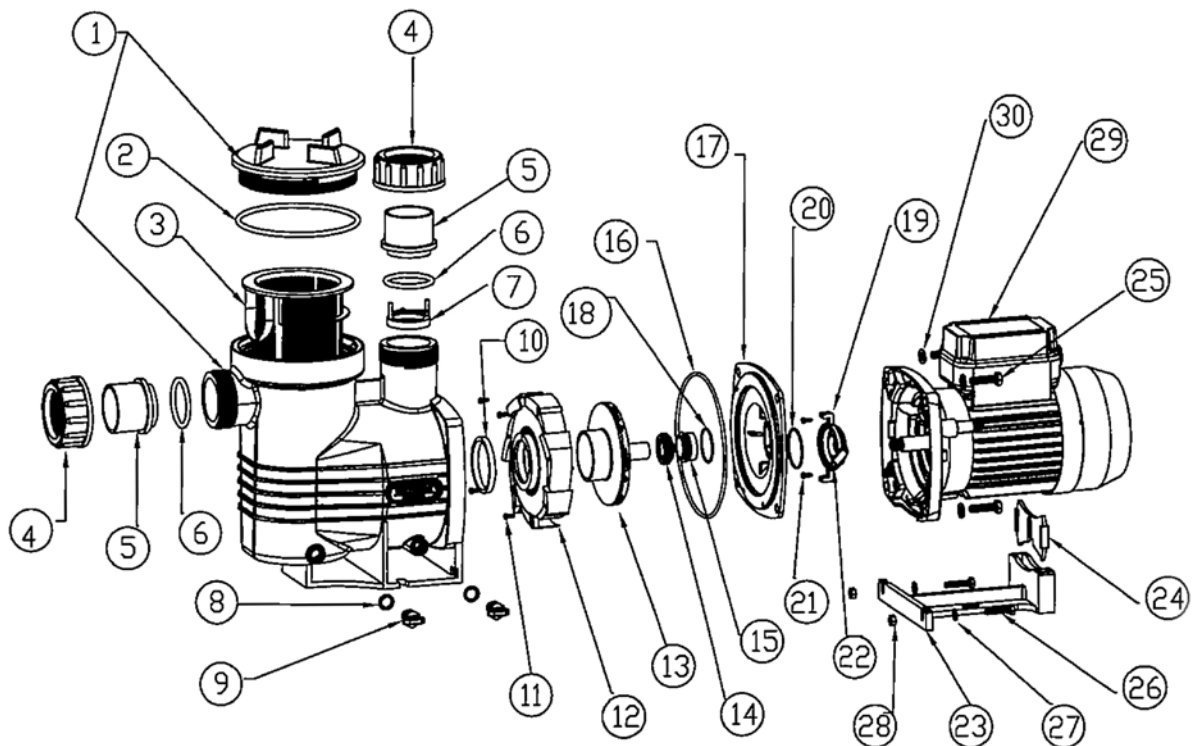
Part Number	Product Description	Diagram Number	List Price	Price Inc Gst
6307245	Motor 1.17kW no slinger required (75, 100 & 125)	1	780.00	897.00
635035L	Motor 1.68kW no slinger required (150)	1	1,050.00	1,207.50
635072	Motor pump foot (Supastream 75-125)	2	28.50	32.78
6350720	Motor pump foot (635035L only)	2	25.90	29.79
635074	Pump foot insert (Supastream 75, 100 & 125)	n/s	7.10	8.17
634047	Motor end shield (for 6307245)	3	225.00	258.75
634044	Motor end shield (for 635035F)		53.00	60.95
S1226911	Pump body O-ring	5	8.50	9.78
6340162	Mechanical seal 316 S/S	6	36.60	42.09
635096	Impeller (Supastream 75)	7	136.00	156.40
635097	Impeller (Supastream 100)	7	136.00	156.40
6350984	Impeller (Supastream 125)	7	136.00	156.40
635099	Impeller (Supastream 150)	7	136.00	156.40
635061	Diffuser	8	66.00	75.90
635060	Diffuser gasket	9	11.90	13.69
635081	Pump face H/L pot body	10	345.00	396.75
63402302	Drain plug	11	4.70	5.41
122243B	40mm half union c/w O-ring	12	10.80	12.42
64479	Half union O-ring	12	4.40	5.06
85517	Drain down valve	13	10.70	12.31
635086	H/L pot basket	14	40.70	46.81
635087	H/L pot basket (fine mesh)	14	16.50	18.98
635052	H/L pot lid O-ring	15	5.70	6.56
635051	H/L pot lid (not including O-ring)	16	97.50	112.13
S1228633	Brass shim (set of 3)	n/s	10.90	12.54
S1160963	Supastream M8 multi pack bolts & washers 2 x 6350530 (M8 x 30 bolt) 4 x 6302180 (M8 washer) 2 x 6350540 (M8 x 40 bolt)		18.50	21.28
634086	Toolbar (suit all pumps)	n/s	18.30	21.05
63506350	Adaptor Kit (includes 4,20,21 + Flange Protector Kit)	4	213.00	244.95
634024542	Half Union 50/40mm - Black		21.30	24.50
634024B	Half Union 50mm W/O'Ring (2 required) - Black		25.80	29.67



# SUPASTREAM 50-125 40MM PORT (WFE1)

Product Code: 2403050, 2403075, 2403100 & 2403125

Part Number	Product Description	Diagram Number	List Price	Price Inc Gst
635051	Pump Lid	1	97.50	112.13
635081	H&L Pot Body	31	345.00	396.75
635052	Lid O-ring	2	5.70	6.56
635087	Basket - Fine Mesh	3	16.50	18.98
122243B	Half barrel union c/w O-ring	4/5/6	10.80	12.42
64479	Half union O-ring	6	4.40	5.06
85517	Solar Pump Flapper Check Valve	7	10.70	12.31
620193	O-ring	8	4.30	4.95
63402302	Drain Plug 1/4"	9	4.70	5.41
635060	Sleeve Coupling	10	11.90	13.69
S1290816	Screw M3X30mm Pan Head	11	0.90	1.04
635061	Diffuser	12	66.00	75.90
635065	Impeller 0.50HP	13	136.00	156.40
635096	Impeller 075	13	136.00	156.40
635097	Impeller 100	13	136.00	156.40
6350984	Impeller 125	13	136.00	156.40
6340162	Mechanical seal	14/15	36.60	42.09
S1226911	O'Ring 0.093 X 6.187	16	8.50	9.78
6350635	Bracket W/M3 Insert & Grove	17	61.00	70.15
63813922	O-ring	18	4.40	5.06
6340163	Flange Protector	19	4.80	5.52
63813921	O-ring Pump BS031	20	4.30	4.95
63400833	Screw 4X3/8" Pan Head	21	1.10	1.27
SB112702	Tube PVC 5mm	22	0.00	
6340222	Pump Foot	23	38.00	43.70
634021	Pump Foot Insert	24	23.40	26.91
6350530	Bolt M8X30	25	8.70	10.01
63400410	Foot Bolt	26	4.60	5.29
6340030	Pot Foot Washer	27	1.70	1.96
6340060	Pot Foot Nut	28	1.00	1.15
6350255	Motor 550W	28	620.00	713.00
6350275	Motor 750W	29	910.00	1,046.50
6302180	Mounting Washer	30	1.40	1.61

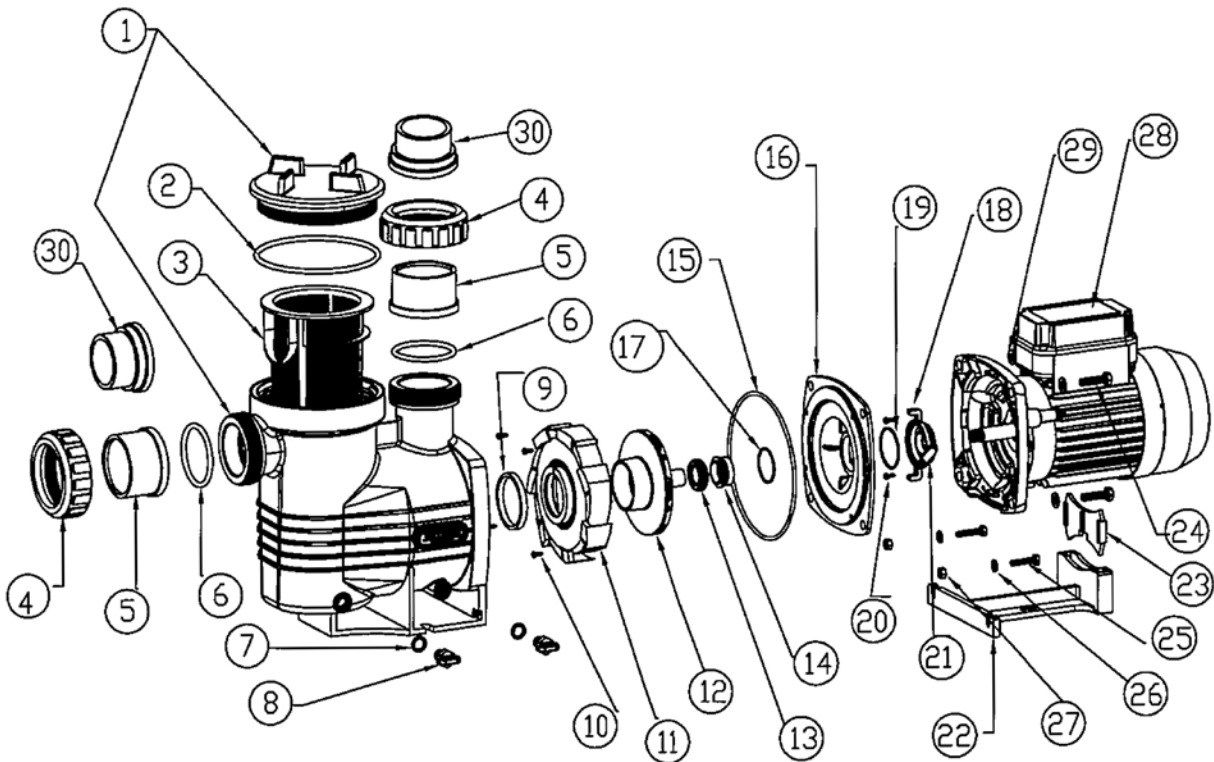




# SUPASTREAM 50-125 50MM PORT (WFE1)

Product Code: 240307550, 240310050, 240312550

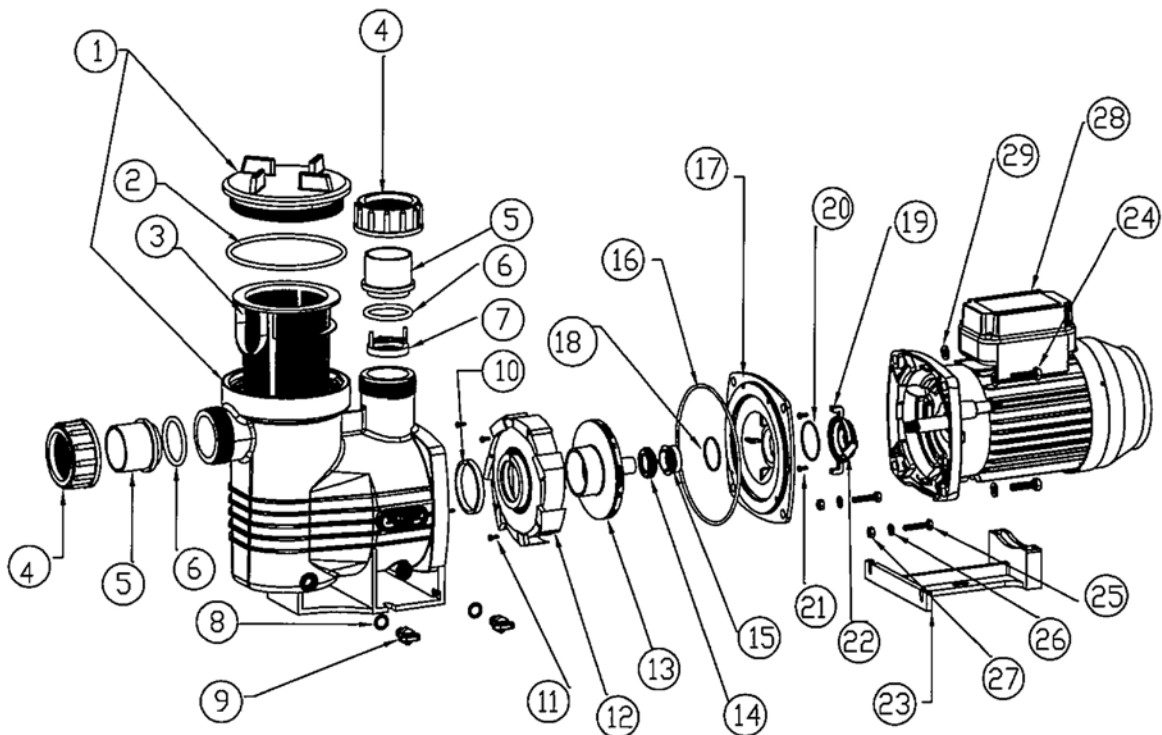
Part Number	Product Description	Diagram Number	List Price	Price Inc Gst
635051	Pump Lid	1	97.50	112.13
6350810	H&L Pot Body	31	141.00	162.15
635052	Lid O-ring	2	5.70	6.56
635087	Basket - Fine Mesh	3	16.50	18.98
634024B	Half Union 50mm W/O-ring (2 required) - Black	4/5/6	25.80	29.67
6340241	50mm half union O-ring	6	5.80	6.67
620193	O-ring	7	4.30	4.95
63402302	Drain Plug 1/4"	8	4.70	5.41
635060	Sleeve Coupling	9	11.90	13.69
S1290816	Screw M3X30mm Pan Head	10	0.90	1.04
635061	Diffuser	11	66.00	75.90
635096	Impeller 075	12	136.00	156.40
635097	Impeller 100	12	136.00	156.40
6350984	Impeller 125	12	136.00	156.40
6340162	Mechanical seal	13/14	36.60	42.09
S1226911	O-ring 0.093 X 6.187	15	8.50	9.78
6350635	Bracket W/M3 Insert & Grove	16	61.00	70.15
63813922	O-ring	17	4.40	5.06
6340163	Flange Protector	18	4.80	5.52
63813921	O'Ring Pump BS031	19	4.30	4.95
63400833	Screw 4X3/8" Pan Head	20	1.10	1.27
SB112702	Tube PVC 5mm	21		
6340222	Pump Foot	22	38.00	43.70
634021	Pump Foot Insert	23	23.40	26.91
6350530	Bolt M8X30	24	8.70	10.01
63400410	Foot Bolt	25	4.60	5.29
6340030	Pot Foot Washer	26	1.70	1.96
6340060	Pot Foot Nut	27	1.00	1.15
6350255	Motor 550W	28	620.00	713.00
6350275	Motor 750W	28	910.00	1,046.50
6302180	Mounting Washer	29	1.40	1.61
634024542	Half Union 50/40mm Black	4/5/6/30	21.30	24.50
631783	Motor Lip Seal PNR		3.40	3.91



# SUPASTREAM 150 40MM PORT (WFE1)

Product Code: 2403150

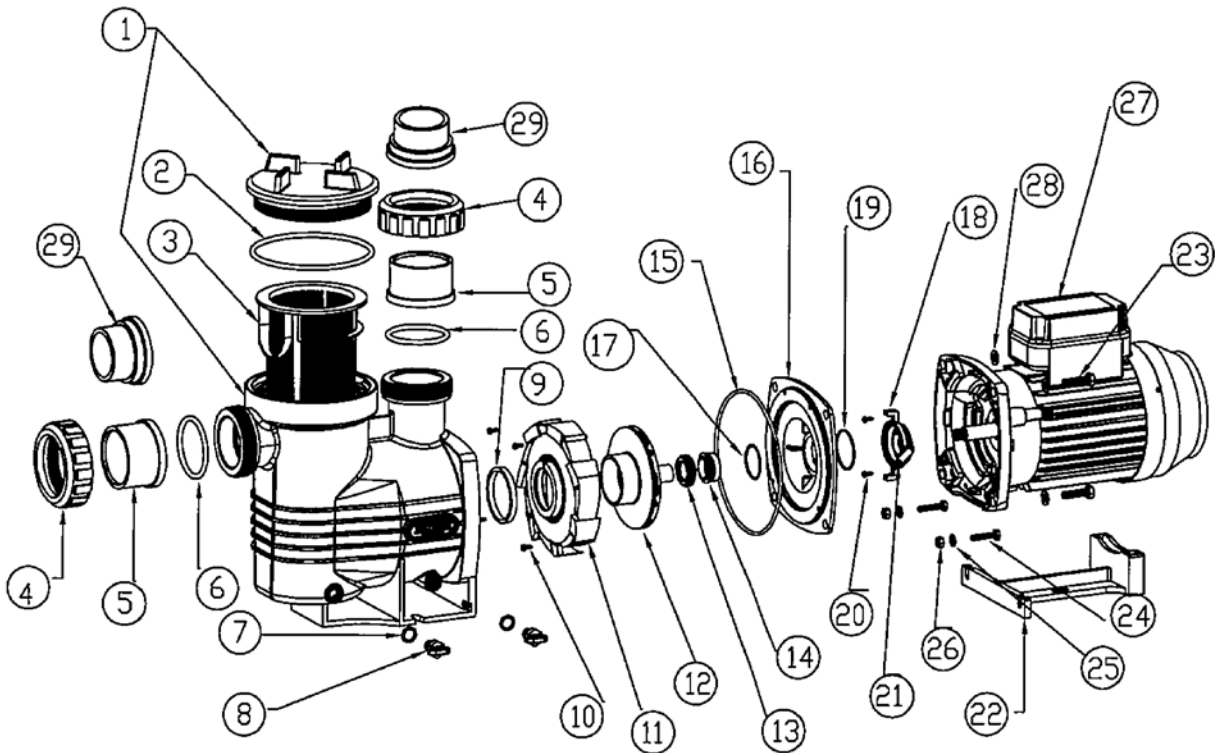
Part Number	Product Description	Diagram Number	List Price	Price Inc Gst
635051	Pump Lid	1	97.50	112.13
635081	H&L Pot Body	31	345.00	396.75
635052	Lid O-ring	2	5.70	6.56
635087	Basket - Fine Mesh	3	16.50	18.98
122243B	Half barrel union c/w O-ring	4/5/6	10.80	12.42
64479	Half union O-ring	6	4.40	5.06
85517	Solar Pump Flapper Check Valve	7	10.70	12.31
620193	O-ring	8	4.30	4.95
63402302	Drain Plug 1/4"	9	4.70	5.41
635060	Sleeve Coupling	10	11.90	13.69
S1290816	Screw M3X30mm Pan Head	11	0.90	1.04
635061	Diffuser	12	66.00	75.90
635099	Impeller 075	13	136.00	156.40
6340162	Mechanical seal	14/15	36.60	42.09
S1226911	O-ring 0.093 X 6.187	16	8.50	9.78
6350635	Bracket W/M3 Insert & Groove	17	61.00	70.15
63813922	O-ring	18	4.40	5.06
6340163	Flange Protector	19	4.80	5.52
63813921	O-ring Pump BS031	20	4.30	4.95
63400833	Screw 4X3/8" Pan Head	21	1.10	1.27
SB112702	Tube PVC 5mm	22		
6340222	Pump Foot	23	38.00	43.70
6350530	Bolt M8X30	24	8.70	10.01
63400410	Foot Bolt	25	4.60	5.29
6340030	Pot Foot Washer	26	1.70	1.96
6340060	Pot Foot Nut	27	1.00	1.15
6350295	Motor 1100W	28	1,000.00	1,150.00
6302180	Mounting Washer	29	1.40	1.61
634024542	Half Union 50/40mm Black	4/5/6/30	21.30	24.50
631783	Motor Lip Seal PNR		3.40	3.91



# SUPASTREAM 150 50MM PORT (WFE1)

Product Code: 240315050

Part Number	Product Description	Diagram Number	List Price	Price Inc Gst
635051	Pump Lid	1	97.50	112.13
6350810	H&L Pot Body	1	141.00	162.15
635052	Lid O-ring	2	5.70	6.56
635087	Basket - Fine Mesh	3	16.50	18.98
634024B	Half Union 50mm W/O-ring (2 required) - Black	4/5/6	25.80	29.67
6340241	50mm half union O-ring	6	5.80	6.67
620193	O-ring	7	4.30	4.95
63402302	Drain Plug 1/4"	8	4.70	5.41
635060	Sleeve Coupling	9	11.90	13.69
S1290816	Screw M3X30mm Pan Head	10	0.90	1.04
635061	Diffuser	11	66.00	75.90
635099	Impeller 075	12	136.00	156.40
6340162	Mechanical seal	13/14	36.60	42.09
S1226911	O-ring 0.093 X 6.187	15	8.50	9.78
6350635	Bracket W/M3 Insert & Grove	16	61.00	70.15
63813922	O-ring	17	4.40	5.06
6340163	Flange Protector	18	4.80	5.52
63813921	O-ring Pump BS031	19	4.30	4.95
63400833	Screw 4X3/8" Pan Head	20	1.10	1.27
SB112702	Tube PVC 5mm	21	0.00	
6340222	Pump Foot	22	38.00	43.70
6350530	Bolt M8X30	23	8.70	10.01
63400410	Foot Bolt	24	4.60	5.29
6340030	Pot Foot Washer	25	1.70	1.96
6340060	Pot Foot Nut	26	1.00	1.15
6350295	Motor 750W	27	1,000.00	1,150.00
6302180	Mounting Washer	28	1.40	1.61
634024542	Half Union 50/40mm Black	4/5/6/30	21.30	24.50
631783	Motor Lip Seal PNR		3.40	3.91

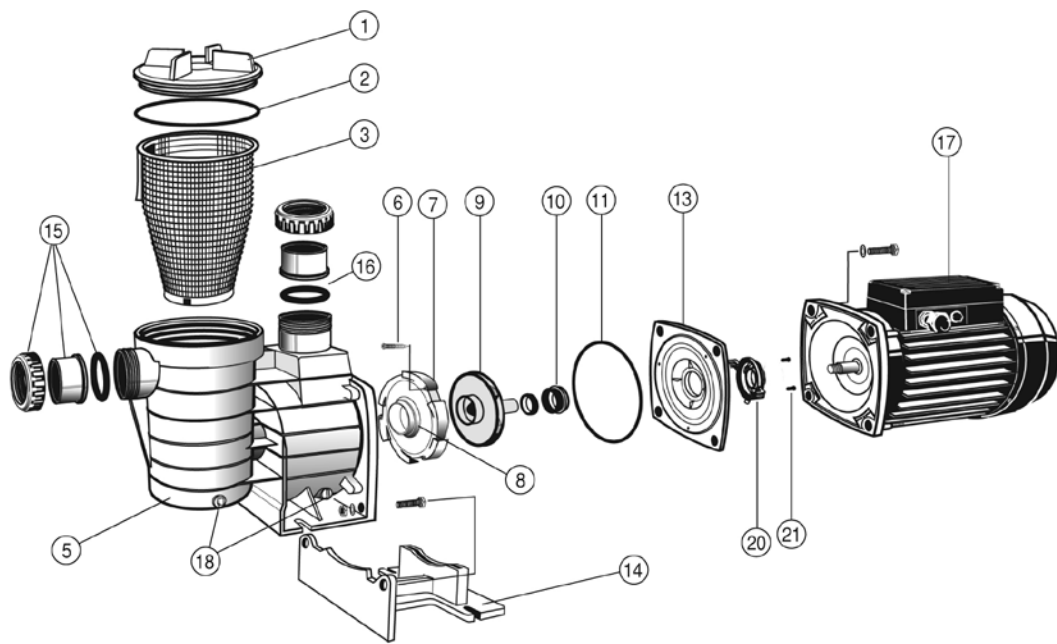


# SUPATUF Also AQUASWIM Series 50

Product Code: 241100, 241125, 241150, 241200, 241250

Part Number	Product Description	Diagram Number	List Price	Price Inc Gst
634000	H/L pot lid	1	106.00	121.90
63151	H/L pot lid O-ring	2	14.00	16.10
6350011	H/L pot basket mk2	3	44.40	51.06
6350191	Pump face H/L pot body (Supatuf 75 - 200)	5	298.00	342.70
63501912	Pump face H/L pot (Supatuf 250)	5	285.00	327.75
635017	Diffuser (Supatuf 75 - 200)	7	97.50	112.13
635022	Diffuser (Supatuf 250)	7	98.00	112.70
634011	Diffuser gasket	8	5.70	6.56
635010	Impeller (Supatuf 75)	9	138.00	158.70
635011	Impeller (Supatuf 100)	9	138.00	158.70
635014	Impeller (Supatuf 125)	9	138.00	158.70
635012	Impeller (Supatuf 150)	9	138.00	158.70
63501205	Impeller kit for Supatuf 150 with drilled & tapped motor shaft only		138.00	158.70
635013	Impeller (Supatuf 200)	9	138.00	158.70
63501305	Impeller kit for Supatuf 200 with drilled & tapped motor shaft only		138.00	158.70
6350230	Impeller (Supatuf 250)	9	138.00	158.70
6350160	Impeller (Supatuf 300) (suit screw type)	9	138.00	158.70
6340162	Mechanical Seal 316SS	10	36.60	42.09
635028	Pump body O-ring	11	7.20	8.28
6340222	Pump foot (Supatuf 100-125)	14	38.00	43.70
6340223	Pump foot (Supatuf 150-250)	14	38.00	43.70
634024B	Half Union 50mm W/O-ring (2 required) - Black	15	25.80	29.67
6340241	50mm half union O-ring	16	5.80	6.67
635034	Motor (Supatuf 75)	17	820.00	943.00
635035L	Motor 1.68kW (150, 200)	17	1,050.00	1,207.50
635036L	Motor 2.16kW ( 250)	17	1,150.00	1,322.50
6350373E	Motor 1.8kW (200,250)	17	1,150.00	1,322.50
635034F	Motor 71F 1200WQTE A14 (100, 125)	17	1,050.00	1,207.50
635035F	Motor 71F 1500WQTE A15 (150)	17	1,050.00	1,207.50
63402120	Pump foot insert (Supatuf 100-125)		8.50	9.78
634023	Drain Plug	18	6.50	7.48
631781	Motor slinger (suit 635034)	19	10.30	11.85
631782	Motor slinger (suit 6350383EM)	19	10.30	11.85
634047	End shield (for 635034)	n/s	225.00	258.75
644772	FIBRE WSH 1/4X9/16X1/32		1.20	1.38
6340410	L/Hand Screw M5x18 w/oring		28.80	33.12
6340020	Supatuf M6 multi pack bolts & washers 2 x 6340060 (M6 nut) 2 x 6340030 (M6 washer) 2 x 63400410 (M6 x 25 bolt)	n/s	11.40	13.11
63401813	Supatuf M10 multi pack bolts & washers (pre 2003) 4 x 6302181 (M10 washer) 4 x 6340181 (M10 x 30 bolt)	n/s	21.40	24.61
63401812	Supatuf M8 multi pack bolts & washers (2003 - current body) 4 x 6302180 (M8 washer) 4 x 6350530 (M8 x 30 bolt)	n/s	15.80	18.17
634086	Toolbar (suits all pumps)	n/s	18.30	21.05
63502150	Adaptor Kit Supatuf 75-200 MK2 6350215 - Bracket W/M3 Insert & Grove 6340164 - Flange Protector & O'Ring Assy 6340162 - Mechanical Seals SB112702 - Tube PVC 5mmx65mm Long 63400833 - Screw 4X3/8" Pan Head S1290816 - Screw M3x30mm Pan Head 63813922 - O-ring BS029	6 & 13 20 10 n/s 21 6 11	184.00	211.60
63502151	Adaptor Kit for Supatuf/Supaflo (250-350) 63502141 - Square Bracket Kit (S/T 250-350 Mkl) 63400835 - Screw M3x45 SS 304 Pan Head (each, 3 required) 6340165 - Flange Protector Kit 63400833 - Screw #4 3/8" Pan Head SS (each, 2 required) 6340162 - Mechanical Seal SS 316	6 & 13 6 20 21 10	237.00	272.55
63502743	Motor 0.75KW 3 Speed BLDC NEMA FL BCB	17	1,550.00	1,782.50

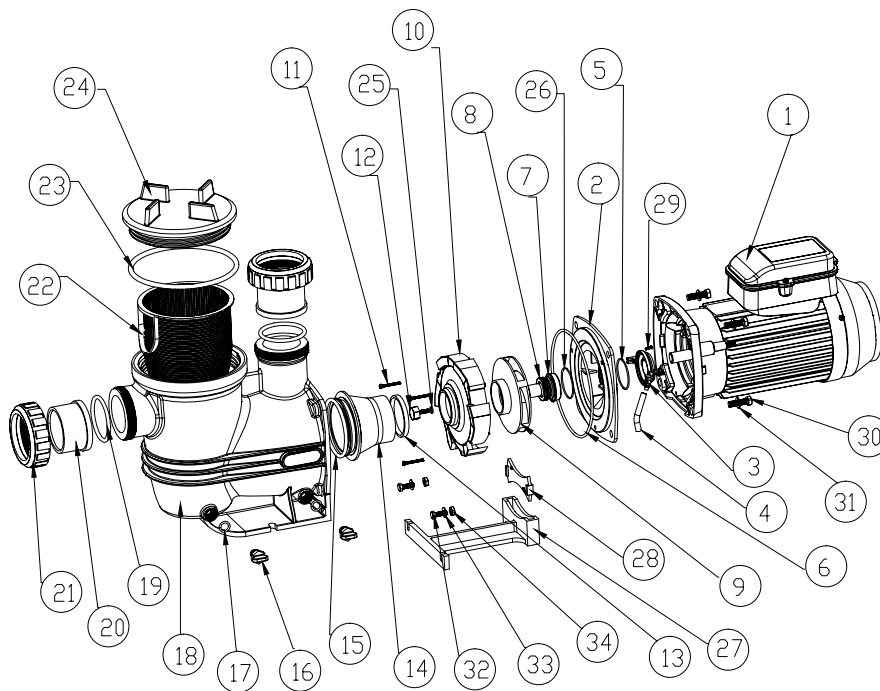
# SUPATUF Also AQUASWIM Series 50 (continue)



# SUPATUF MK2

Product Code: 24110002 - 1HP, 24115002 - 1.5HP, 24120002 - 2HP

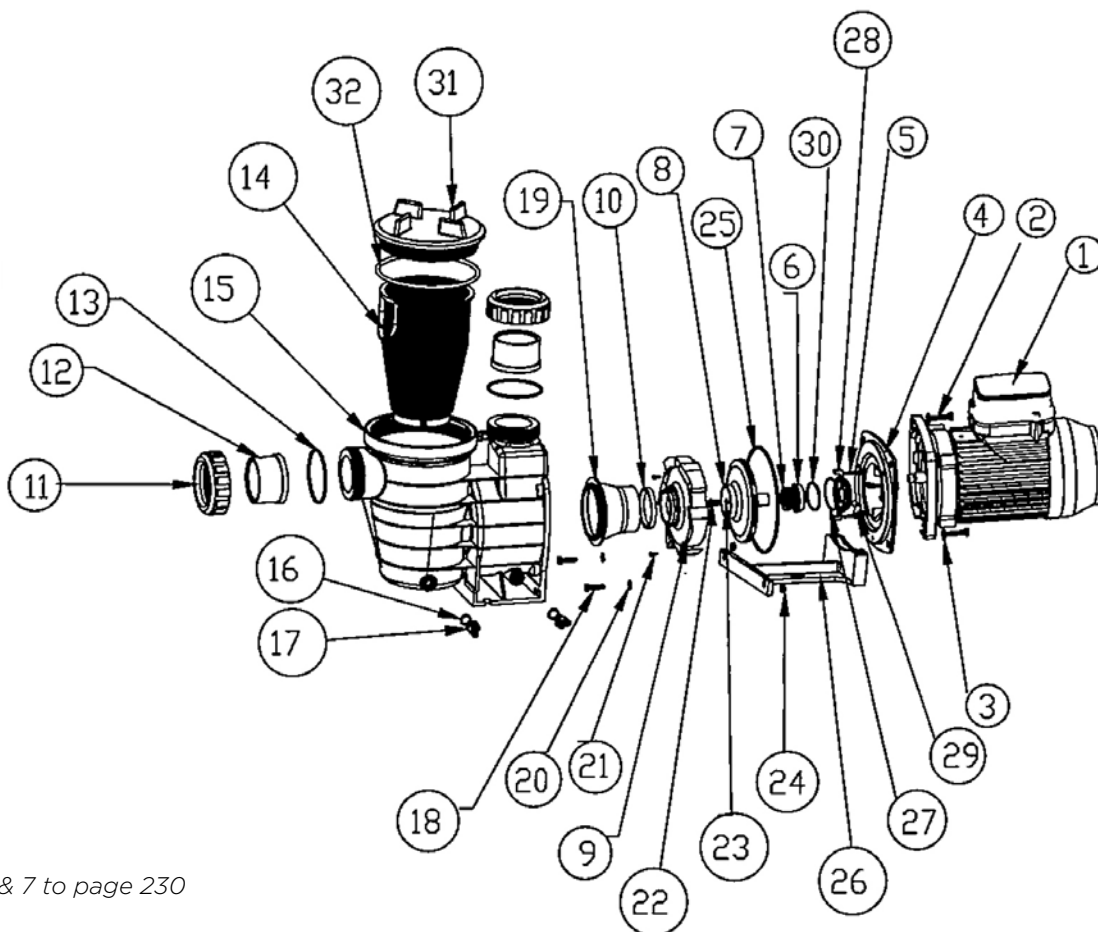
Part Number	Product Description	Diagram Number	List Price	Price Inc Gst
6350275	Motor 750W	1	910.00	1,046.50
6350295	Motor 1100W	1	1,000.00	1,150.00
6350296	Motor 1500W	1	1,050.00	1,207.50
6350215	Bracket W/M3 Insert & Grove	2	61.00	70.15
6340163	Pumpflange Protector	3	4.80	5.52
SB112702	Tube PVC 5mmx65mm long	4	0.00	
63813921	O-ring BS031	5	4.30	4.95
S1204611	O-ring 0.125 x 6.5mm OD	6	5.70	6.56
634016201	Mech Seal Primary Seals Ring 6A Matte 316	7	26.60	30.59
634016202	Mech Seal Mating Ring 6A Polished S/S316	8	20.90	24.04
635011	Supatuf 1.0HP Impeller	9	138.00	158.70
63501200	Supatuf 150 Impeller LHS	9	124.00	142.60
6350134	Supatuf 200 Impeller LHS Hole AUS/UK	9	124.00	142.60
635017	Diffuser 75-200	10	97.50	112.13
S1290816	Screw M3x30mm Pan Head	11	0.90	1.04
6340410	L/Hand Screw M5x18 Moulded	12	28.80	33.12
634011	Diffuser Gasket	13	5.70	6.56
W32561	Supatuf Nozzle MK2 0.5-2.0HP	14		
W32563	O-ring BS236	15		
63402301	Drain Plub 1/4"	16	4.70	5.41
620193	O-ring BS112 Air Vlv/Drain	17	4.30	4.95
63501918	Supatuf Pump Body Assy MK2 0.5-2.0HP	18	217.00	249.55
63501919	Supatuf Pump Boday Assy MK2 2.5-3.0HP	18	226.00	259.90
6340241	O-ring 50mm B/U Rile	19	5.80	6.67
W02081BLK	B/U P/End Slip/Slip 50mm Black	20		
W02083BLK	B/U Locking Nut 50mm Black	21		
6350011	Supatuf Basket MK2	22	44.40	51.06
63151	Pot Lid O-ring	23	14.00	16.10
634000	Pot Lid - only	24	106.00	121.90
82444205	O-ring BS011	25	4.30	4.95
63813922	O-ring BS029	26	4.40	5.06
6340222	Pump Foot 0.5HP, 0.75HP & 1.0HP	27	38.00	43.70
6340223	Pump Foot 56 Frame USA 1.5HP & 2.0HP	27	38.00	43.70
63400833	Screw 4GX3/8" Pan Head S/S	29	1.10	1.27
6350530	M8X30 SS316 S/Screw	30	8.70	10.01
6302180	T'Tuf Mounting Washer S/S316 5/16x5/8	31	1.40	1.61
63400410	Screw Set	32	4.60	5.29
6340030	Pot Foot Washer	33	1.70	1.96
6340060	Pot Foot Nut	34	1.00	1.15



# SUPATUF ECO 100

Product Code: 24110005

Part Number	Product Description	Diagram Number	List Price	Price Inc Gst
63502743	Motor 0.75KW 3 Speed	1	1,550.00	1,782.50
6350530	Bolt M8X30 SS316 S/SCREW	2	8.70	10.01
6302180	Mounting Washer	3	1.40	1.61
6350215	Bracket W/M3 Insert & Grove	4	61.00	70.15
63400833	Screw 4X3/8" Pan Head	5	1.10	1.27
6340162	Mechanical Seal 316SS	6/7	36.60	42.09
63501100	Impeller 100 W/H HOLE 4.5X.244 Trimmed	8	92.00	105.80
635017	Diffuser 75-200	9	97.50	112.13
634011	Diffuser Gasket	10	5.70	6.56
634024B	Half Union 50mm W/O-ring (2 required) - Black	11/12/13	25.80	29.67
6340241	50mm half union o O-ring	13	5.80	6.67
6350011	SUPATUF BASKET MK2	14	44.40	51.06
6350191	Hair & Lint Pot Body	15	298.00	342.70
620193	O-ring BS112 Air Vlv/Drain	16	4.30	4.95
63402301	Drain Plug 1/4"	17	4.70	5.41
63400410	Screw Set	18	4.60	5.29
634025	Suction Nozzle	19	28.80	33.12
6340030	Pot Foot Washer	20	1.70	1.96
S1290816	Screw M3x30mm Pan Head	21	0.90	1.04
6340410	L/Hand Screw M5x18 w/oring	22	28.80	33.12
82444205	O-ring BS011	23	4.30	4.95
6340060	Pot Foot Nut	24	1.00	1.15
635028	Bracket O-ring BS259	25	7.20	8.28
6340222	Pump Foot (Modified)	26	38.00	43.70
63813921	O-ring BS031	27	4.30	4.95
6340163	Flange Protector	28	4.80	5.52
SB112702	Tube PVC 5mmx65mm long	29		
63813922	O-ring BS029	30	4.40	5.06
634000	Pot Lid - only	31	106.00	121.90
63151	Pot Lid O'Ring	32	14.00	16.10

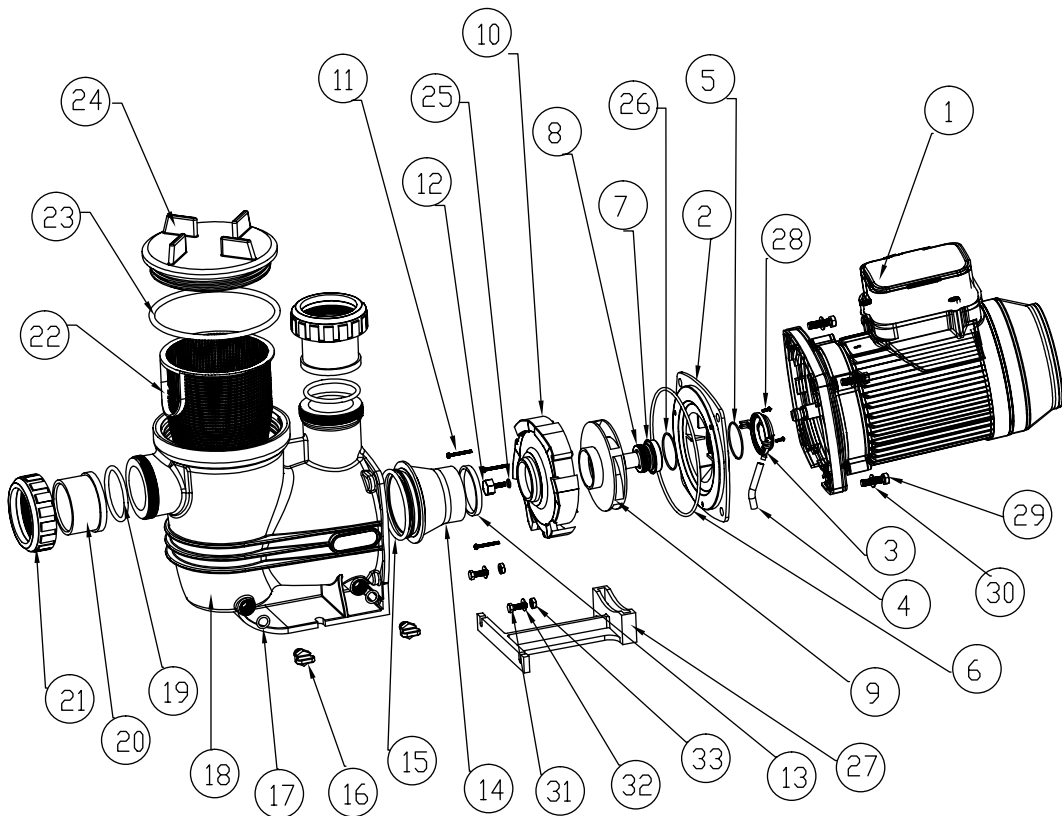


\* refer 6 & 7 to page 230

# SUPATUF ECO 100 MK2

Product Code: 24110008

Part Number	Product Description	Diagram Number	List Price	Price Inc Gst
63502743	Motor 0.75KW 3 Speed	1	1,550.00	1,782.50
6350215	Bracket W/M3 Insert & Grove	2	61.00	70.15
6340163	Pumpflange Protector	3	4.80	5.52
SB112702	Tube PVC 5mmx65mm long	4	0.00	
63813921	O-ring BS031	5	4.30	4.95
S1204611	O-ring 0.125 x 6.5mm OD	6	5.70	6.56
S12148A	Seal Assy 3/4 Type 7	7	65.50	75.33
6340162	Mechanical Seal 316SS G-050-00-A1	8	36.60	42.09
63501100	Impeller 100 W/H HOLE 4.5X.244 Trimmed	9	92.00	105.80
635017	Diffuser 75-200	10	97.50	112.13
S1290816	Screw M3x30mm Pan Head	11	0.90	1.04
6340410	L/Hand Screw M5x18 Moulded	12	28.80	33.12
634011	Diffuser Gasket	13	5.70	6.56
6340252	Supatuf Nozzle MK2 0.5-2.OHP	14		
6340118	O-ring BS237	15		
63402301	Drain Plub 1/4"	16	4.70	5.41
620193	O-ring BS112 Air Vlv/Drain	17	4.30	4.95
63501928	Supatuf Pump Body MK3	18	0.00	
6340241	O-ring 50mm B/U Rile	19	5.80	6.67
63402465	B/U P/End Slip/Slip 50mm Black	20		
6340242B	B/U Locking Nut 50mm Black	21	11.00	12.65
6350011	Supatuf Basket MK2	22	44.40	51.06
63151	Pot Lid O-ring	23	14.00	16.10
634000	Pot Lid - only	24	106.00	121.90
82444205	O'Ring BS011	25	4.30	4.95
63813922	O'Ring BS029	26	4.40	5.06
6340222	Pump Foot 0.5HP, 0.75HP & 1.0HP	27	38.00	43.70
63400833	Screw 4GX3/8" Pan Head S/S	28	1.10	1.27
6350530	M8X30 SS316 S/Screw	29	8.70	10.01
6302180	T'Tuf Mounting Washer S/S316 5/16x5/8	30	1.40	1.61
63400410	Screw Set	31	4.60	5.29
6340030	Pot Foot Washer	32	1.70	1.96
6340060	Pot Foot Nut	33	1.00	1.15
W02648BLK	T/L Tail End 50x40mm New Black	N/S		



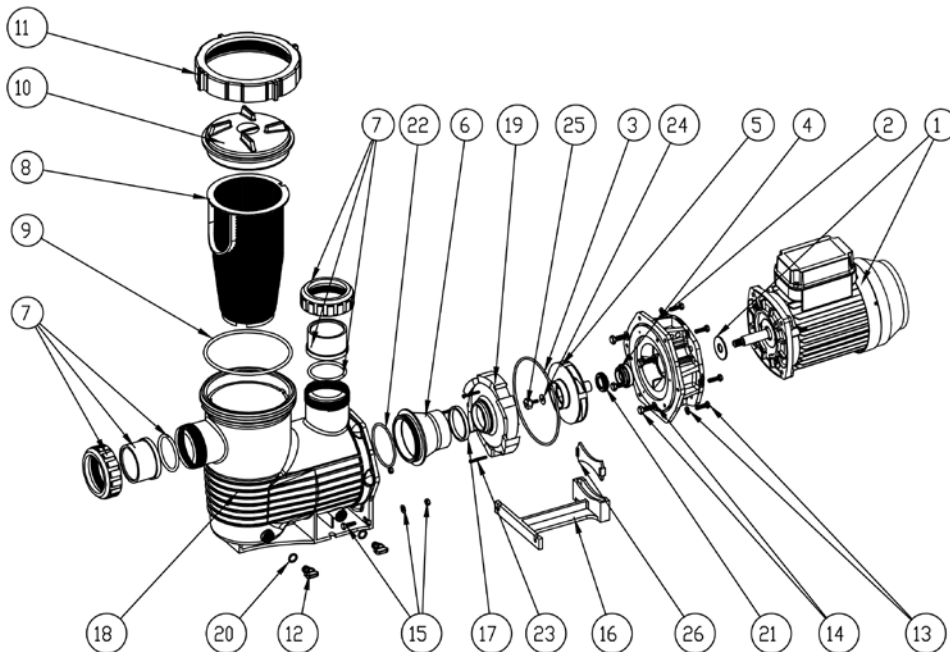
\* refer 8 to page 230



# HYDROTUF

Product Code: 2411005, 2411255, 2411505, 2412005

Part Number	Product Description	Diagram Number	List Price	Price Inc Gst
6340274F	MOTOR 1.1KW 71F/B14 EUR2	1	1,100.00	1,265.00
6340275F	Motor 71F 1500WSTD A14 (150, 200)	1	1,150.00	1,322.50
6350216	Hydrotuf bracket	2	75.50	86.83
635028	Pump body O-ring	3	7.20	8.28
634016201	Mechanical Seal P/Ring 6A SS316	4	26.60	30.59
63501103	Impeller 100	5	107.00	123.05
63501403	Impeller 125	5	107.00	123.05
63501203	Impeller 150	5	107.00	123.05
63501340	Impeller 200 w/hole	5	107.00	123.05
634079	Suction nozzle	6	31.40	36.11
634024B	Half Union 50mm W/O-ring (2 required) - Black	7	25.80	29.67
634085	H/L pot basket	8	55.50	63.83
61214	H/L pot Oring	9	15.40	17.71
634082	H/L pot lid	10	43.70	50.26
61209	H/L pot lock ring	11	71.00	81.65
63402301	Drain plug 1/4" NPT (2 required)	12	4.70	5.41
6340030	Washer M6 (6pieces)	13	1.70	1.96
6340040	Bolt M6 x 20 SS316 (6 pieces)	13	2.90	3.34
634018371	M8 multi pack bolts & washers 316 S/S 10 x 6302180 M8 washer (4 required) 10 x 63401830 M8 x 20 bolt (4 required)	14	39.10	44.97
634004211	M6 multi pack bolts & washers 316 S/S 2 x 6340030 M6 washer (8 required) 2 x 6340040 M6 x 20 bolt (8 required) 2 x 6340060 M6 nut (2 required)	15	28.90	33.24
6340223	Pump foot	16	38.00	43.70
634011	Diffuser gasket	17	5.70	6.56
63501915	Pump face H/L pot body 50mm	18	335.00	385.25
635017	Diffuser	19	97.50	112.13
620193	Oring BS112 (1 piece)	20	4.30	4.95
6340113	Diffuser Oring 3HP Only	22	4.30	4.95
S1290816	Screw M3x30 Truss Head SS304 0.75HP to 2HP (3pieces)	23	0.90	1.04
63400835	Screw M3x45 pH SS304 2.5HP to 3.5HP	23	1.90	2.19
82444205	O-ring BS011	24	4.30	4.95
6340410	L/Hand Screw M5x18 Moulded	25	28.80	33.12
6340212	Pump foot insert (125, 150, 200)	26	38.60	44.39
63402123	Pump foot insert (100)	26	3.10	3.57
634044	Cowling 72 Series BCB Motor	27	53.00	60.95
634045	Fan 72 Series BCB Motor	28	23.20	26.68



\* refer 4 to page 230

# HYDROSTORM PUMP Also AQUASWIM Series 50T & Maxi Grange

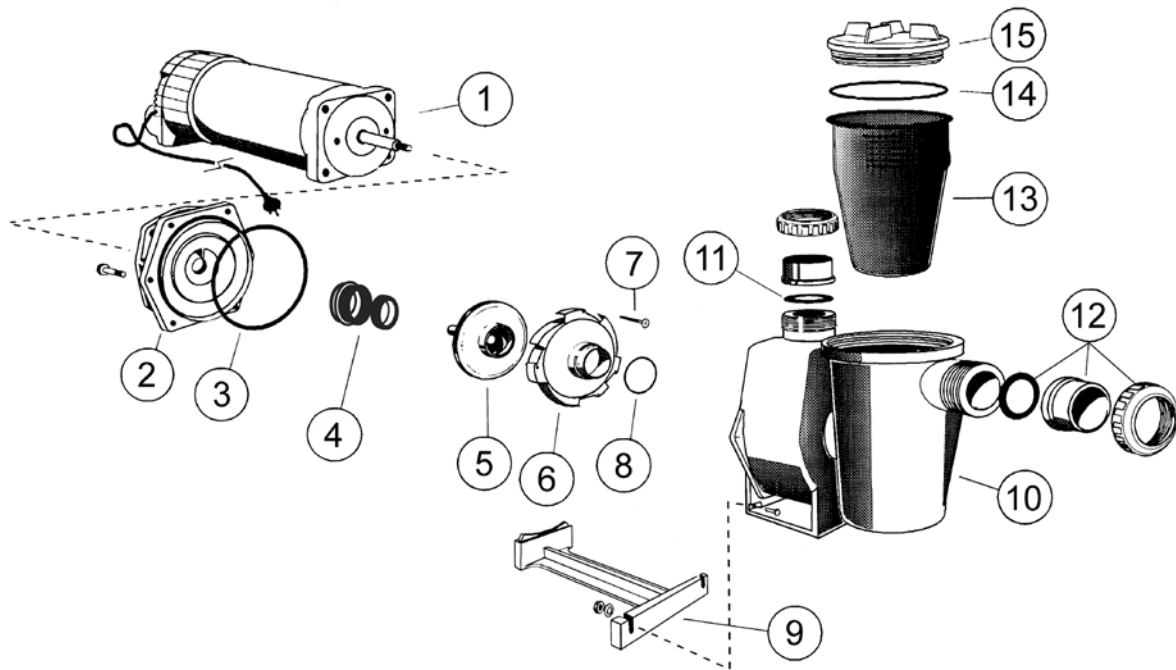
Product Code: 244100, 244125, 244150, 244200

Part Number	Product Description	Diagram Number	List Price	Price Inc Gst
634027402	Motor Impower 750W B14 V/Speed W/C Cable	1	1,850.00	2,127.50
634027401	Motor IM Power 750W B14 V/Speed		1,800.00	2,070.00
63402743	Motor 0.75kW 3 Speed B14 (for H/Storm 100 ECO 3 speed pump)	1	1,700.00	1,955.00
6340274F	Motor 71F 1200WQTD A14 (100, 125) (Pre)	1	1,100.00	1,265.00
6340274E	Motor 71F/1HP/B14FL c/w slinger (Post)	1	1,000.00	1,150.00
634027502	Motor 1.68kW & insert (150-200) (6340275L motor+63402122 insert)	1	1,200.00	1,380.00
6340275F	Motor 71F 1500WSTD A14 (150, 200)	1	1,150.00	1,322.50
6340277EM	Motor 80F/2.5HP/B14FLANGE	1	1,550.00	1,782.50
634030E	Motor 2.57kW c/w slinger (300, 350)	1	1,350.00	1,552.50
63402903	Motor 1.5kW/3 phase MEPS	1	1,200.00	1,380.00
63403003	Motor 2.2kW/3 phase MEPS	1	1,250.00	1,437.50
631781	Motor slinger (suits 6340293E)	n/s	10.30	11.85
631782	Motor slinger (suits 634030E, 6340303E)	n/s	10.30	11.85
63402031	Adaptor plate	2	287.00	330.05
634017	Pump body O-ring	3	5.70	6.56
6340162	Mechanical seal (316 S/S)	4	36.60	42.09
634012	Impeller (Hydrostorm 75) pre 98 also 100E post 1998	5	151.00	173.65
6340120	Impeller 100 with hole		166.00	190.90
63401205	Impeller kit for Hydrostorm 100 with drilled & tapped motor shaft only		168.00	193.20
634013	Impeller (Hydrostorm 100) pre 1998 also 125E post 1998	5	151.00	173.65
63401305	Impeller kit for Hydrostorm 125 with drilled & tapped motor shaft only		168.00	193.20
6340130	Impeller (Hydrostorm 125) suit retaining screw type		166.00	190.90
63401430	Impeller 150 suit retaining screw type (left hand screw holes)		168.00	193.20
6340143	Impeller (Hydrostorm 150E) post 1998 (w/o lefthand screw hole)	5	150.00	172.50
634014	Impeller (Hydrostorm 150) pre 1998 also 200E post 1998	5	150.00	172.50
6340145	Impeller (Hydrostorm 200) suit retaining screw type	5	150.00	172.50
6340151	Impeller (Hydrostorm 200) pre 1998 also 250E post 1998	5	151.00	173.65
6340157	Impeller only (Hydrostorm 250) suit retaining screw type	5	150.00	172.50
63401531	Impeller (Hydrostorm 300) post 1998 no retaining screw	5	151.00	173.65
63401534	Impeller only (Hydrostorm 300) suit retaining screw type	5	150.00	172.50
63401533	Impeller only (Hydrostorm 350) suit retaining screw type	5	151.00	173.65
6340410	L/hand screw M5.18 w/oring		28.80	33.12
644772	Fibre washer	n/s	1.20	1.38
82444205	O-ring (BS011)	n/s	4.30	4.95
634010	Diffuser (Hydrostorm 75-250)	6	106.00	121.90
6340103	Diffuser (Hydrostorm 300, 350)	6	106.00	121.90
63400824	Diffuser screw (set of 4) (Pre)	7	8.30	9.55
63400834	Diffuser screw (set of 4) (Post)	7	8.30	9.55
634011	Diffuser gasket (Hydrostorm 75-250)	8	5.70	6.56
6340113	Diffuser O-ring (Hydrostorm 300-350)	8	4.30	4.95
634022	Pump foot	9	41.10	47.27
63402122	Pump foot insert (Hydrostorm 100-250)		37.00	42.55
634021	Pump foot insert (Hydrostorm 300-350 & all 3 phase)	n/s	23.40	26.91
6340051	H/L pot body & pump face	10	420.00	483.00
6340052	H/L pot body & pump face -PP no suction nozzle	10	180.00	207.00
6340053	H/L pot body & pump face (Hydrostorm 300, 350)	10	420.00	483.00
6340241	50mm half union O-ring	11	5.80	6.67
634024B	Half Union 50mm W/O-ring (2 required) - Black	12	25.80	29.67
122257BLK	50mm x 40mm half union (suit 1.00, 1.25hp 2002)	12	26.20	30.13
634001	H/L pot basket	13	44.40	51.06
63151	H/L pot lid O-ring	14	14.00	16.10
634000	H/L pot lid	15	106.00	121.90
634043	Basket flapper	n/s	8.30	9.55
634023	H/L pot drain plug	n/s	6.50	7.48
634046	End shield	n/s	430.00	494.50
6340464	Endshield 90F/B14	n/s	340.00	391.00
6340470	Large square end shield (71 frame)	n/s	184.00	211.60
634004211	Hydrostorm M6 multi pack bolts & washers (316 S/S) 2 x M6 x 20 bolt 2 x M6 washer 2 x M6 nut	n/s	28.90	33.24
634018371	Hydrostorm M8 multi pack bolts & washers (316 S/S) 4 6 x M8 x 20 bolt 4 6 x M8 washer	n/s	39.10	44.97
634086	Toolbar (suits all models)	n/s	18.30	21.05

\* refer 4 to page 230

# HYDROSTORM PUMP Also AQUASWIM Series 50T & Maxi Grange (continue)

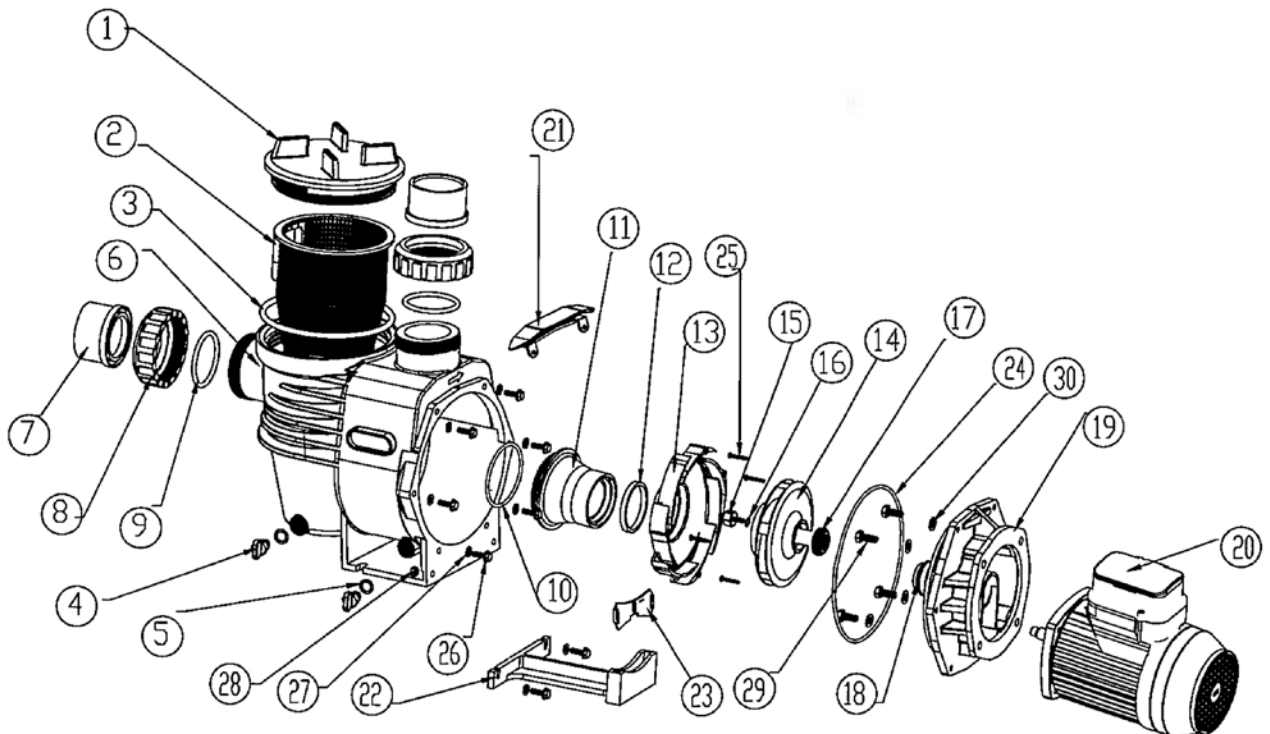
Product Code: 244100, 244125, 244150, 244200



# HYDROSTORM ECO 100

Product Code: 2441005

Part Number	Product Description	Diagram Number	List Price	Price Inc Gst
634000	H/L pot lid	1	106.00	121.90
634001	Hydrostorm H/L Pot Basket	2	44.40	51.06
63151	H/L Pot Lid O-ring	3	14.00	16.10
63402301	Drain Plug 1/4" NPT	4	4.70	5.41
620193	O'Ring BS112 Air R VLV/Drain PL	5	4.30	4.95
6340052	H/L Pot Body & Pump Face	6	180.00	207.00
634024B	Half Union 50mm W/O-ring (2 required) - Black	7/8/9	25.80	29.67
6340241	Union O-ring 50mm P2027 - 48 (BS332)	9	5.80	6.67
6340113	Diffuser O'Ring 3HP Only	10	4.30	4.95
6340790	Suction Nozzle 1 - 2.5HP	11	31.40	36.11
634011	Diffuser Gasket	12	5.70	6.56
634010	Diffuser 1HP 1.5HP 2HP	13	106.00	121.90
6340120	100E Impeller with Hole	14	166.00	190.90
6340410	L/Hand Screw M5x18 w/oring	15	28.80	33.12
82444205	O-ring BS011	16	4.30	4.95
6340162	Mechanical Seal SS 316	17/18	36.60	42.09
63402033	Bracket Assy w/Brass Inserts	19	199.00	228.85
63404426	Touch Pad Clear Cover 3 Speed BCB Mtr	20	27.90	32.09
63402743	Motor 0.75kW 3 Speed	20	1,700.00	1,955.00
63402030	Handle	21	10.60	12.19
634022	Pump Foot (Modified)	22	41.10	47.27
634021	Foot Insert	23	23.40	26.91
634017	Bracket O-ring	24	5.70	6.56
63400836	Screw M3x25mm Truss Head SS304	25	0.40	0.46
63400410	Foot Bolts M6X25 316SS	26	4.60	5.29
6340030	H/L Pot Foot Washer	27	1.70	1.96
6340060	H/L Pot Foot Nut	28	1.00	1.15
63401830	HEX SET 316	29	1.90	2.19
6302180	Mounting Washer	30	1.40	1.61

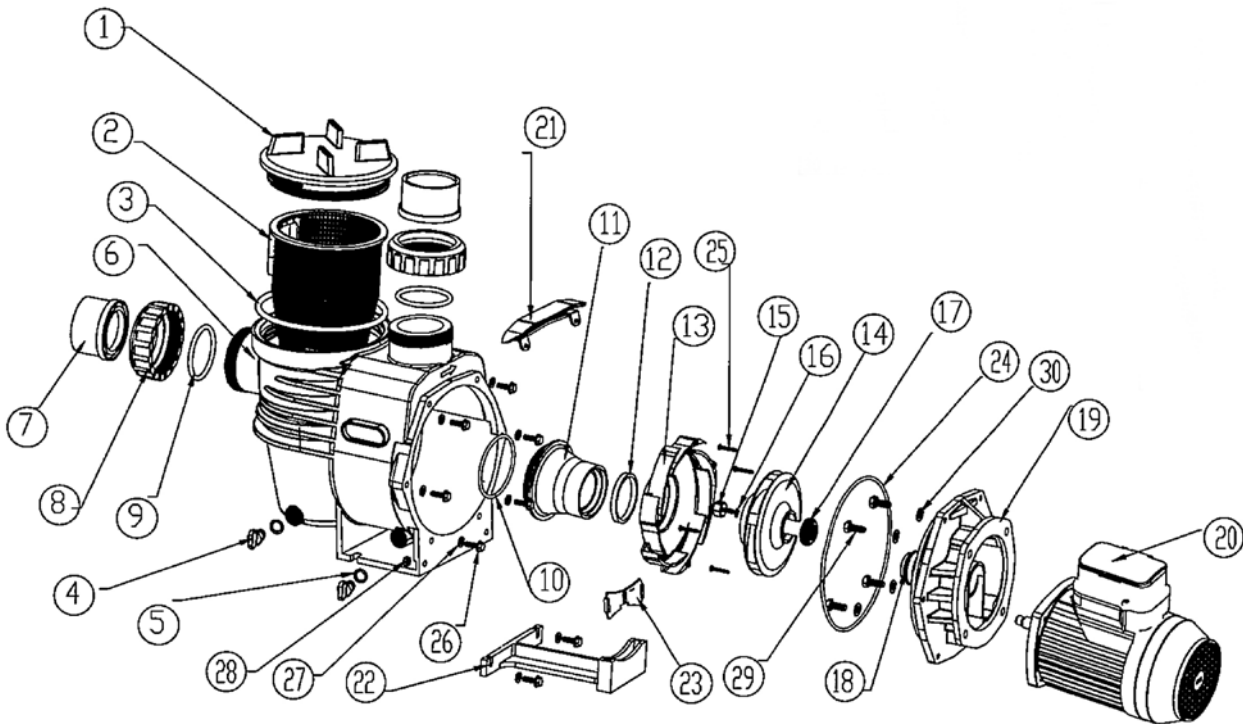


\* refer 17& 18 to page 230

# HYDROSTORM ECO-V 100

Product Code: 2441009

Part Number	Product Description	Diagram Number	List Price	Price Inc Gst
634000	H/L pot lid	1	106.00	121.90
634001	Hydrostorm H/L Pot Basket	2	44.40	51.06
63151	H/L Pot Lid O-ring	3	14.00	16.10
63402301	Drain Plug 1/4" NPT	4	4.70	5.41
620193	O-ring BS112 Air R VLV/Drain PL	5	4.30	4.95
6340052	H/L Pot Body & Pump Face	6	180.00	207.00
634024B	Half Union 50mm W/O'Ring (2 required) - Black	7/8/9	25.80	29.67
6340241	Union O-ring 50mm P2027 - 48 (BS332)	9	5.80	6.67
6340113	Diffuser O-ring 3HP Only	10	4.30	4.95
6340790	Suction Nozzle 1 - 2.5HP	11	31.40	36.11
634011	Diffuser Gasket	12	5.70	6.56
634010	Diffuser 1HP 1.5HP 2HP	13	106.00	121.90
6340120	100E Impeller with Hole	14	166.00	190.90
6340410	L/Hand Screw M5x18 w/O-ring	15	28.80	33.12
82444205	O-ring BS011	16	4.30	4.95
6340162	Mechanical Seal SS 316	17/18	36.60	42.09
63402033	Bracket Assy w/Brass Inserts	19	199.00	228.85
63402752	Motor iM Power 1100W B14 V/Speed	20	1,800.00	2,070.00
634027406	Motor iM Power 750W B14 V/Speed	20	1,600.00	1,840.00
63402030	Handle	21	10.60	12.19
6340222	Pump Foot (Modified)	22	38.00	43.70
634021	Foot Insert	23	23.40	26.91
634017	Bracket O-ring	24	5.70	6.56
63400836	Screw PT SS316 M4X25MM	25	0.40	0.46
63400410	Foot Bolts M6X25 316SS	26	4.60	5.29
6340030	H/L Pot Foot Washer	27	1.70	1.96
6340060	H/L Pot Foot Nut	28	1.00	1.15
63401830	HEX SET 316	29	1.90	2.19
6302180	Mounting Washer	30	1.40	1.61
851807	Cable 5 core 3m w/amp & Allx5 connectores		114.00	131.10

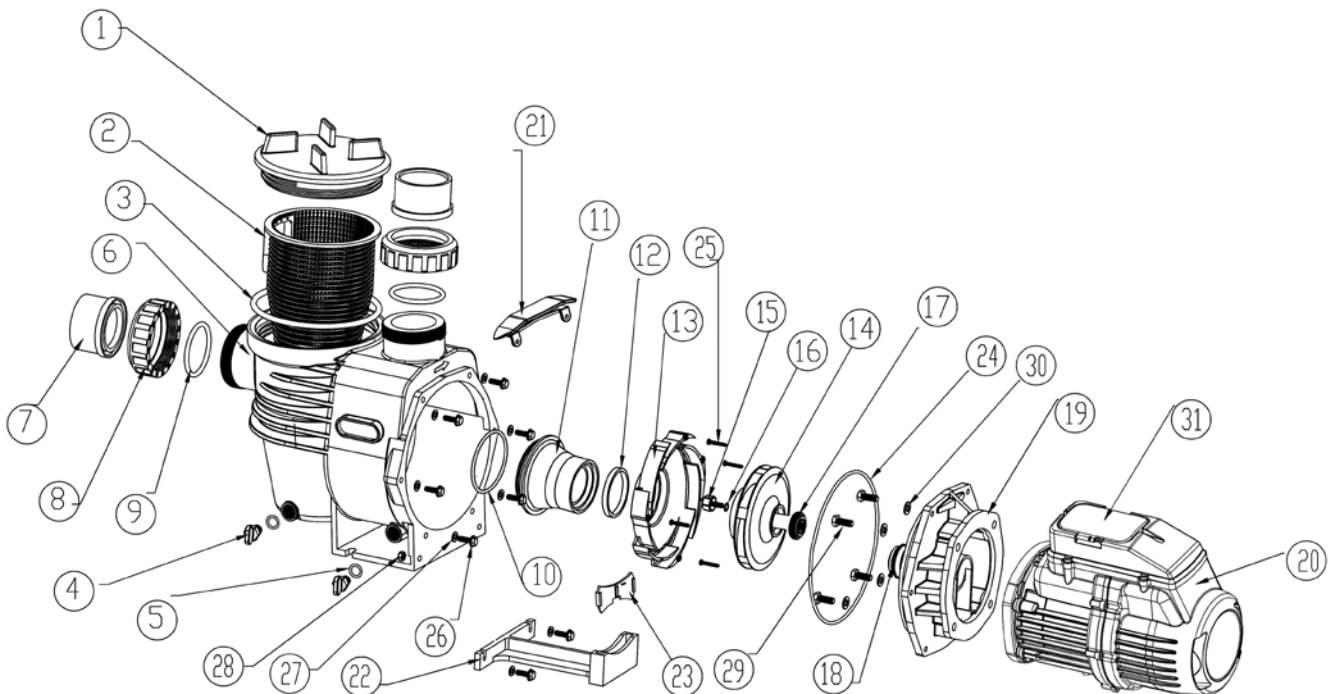


\* refer 17& 18 to page 230

# HYDROSTORM ECO-V 150

Product Code: 2441509

Part Number	Product Description	Diagram Number	List Price	Price Inc Gst
634000	H/L pot lid	1	106.00	121.90
634001	Hydrostorm H/L Pot Basket	2	44.40	51.06
63151	H/L Pot Lid O-ring	3	14.00	16.10
63402301	Drain Plug 1/4" NPT	4	4.70	5.41
620193	O-ring BS112 Air R VLV/Drain PL	5	4.30	4.95
6340052	H/L Pot Body & Pump Face	6	180.00	207.00
634024B	Half Union 50mm W/O-ring (2 required) - Black	7/8/9	25.80	29.67
6340241	Union O-ring 50mm P2027 - 48 (BS332)	9	5.80	6.67
6340113	Diffuser O-ring 3HP Only	10	4.30	4.95
6340790	Suction Nozzle 1 - 2.5HP	11	31.40	36.11
634011	Diffuser Gasket	12	5.70	6.56
634010	Diffuser 1HP 1.5HP 2HP	13	106.00	121.90
63401430	150 IMP 134.5X4.08 W/T HOLE	14	168.00	193.20
6340410	L/Hand Screw M5x18 w/oring	15	28.80	33.12
82444205	O-ring BS011	16	4.30	4.95
6340162	Mechanical Seal SS 316	17/18	36.60	42.09
63402031	Mounting Bracket Assembly	19	287.00	330.05
63404427	Touch pad clear cover var speed	31	27.60	31.74
63404426	Touch Pad Clear Cover 3 Speed BCB Mtr	31	27.90	32.09
634027520	MTR 1100W B14 V/SPD PNR PMB3FOO5ST-WTC (to use in Hydrostorm)	20	1,950.00	2,242.50
63502900	MTR 1100W Nema V/SPD PNR PMB3FOO7SP-WTC (to use in Supatuf MK2)	20	1,950.00	2,242.50
63402030	Handle	21	10.60	12.19
6340222	Pump Foot (Modified)	22	38.00	43.70
634021	Foot Insert	23	23.40	26.91
634017	Bracket O-ring	24	5.70	6.56
63400821	Screw PT SS316 M4X25MM	25	6.40	7.36
63400410	Foot Bolts M6X25 316SS	26	4.60	5.29
6340030	H/L Pot Foot Washer	27	1.70	1.96
6340060	H/L Pot Foot Nut	28	1.00	1.15
63401830	HEX SET 316	29	1.90	2.19
6302180	Mounting Washer	30	1.40	1.61
851807	Cable 5 core 3m w/amp & Allex5 connectores		114.00	131.10
85186	Top Board PCB V-Speed BCP 1.5hp	n/s	495.00	569.25

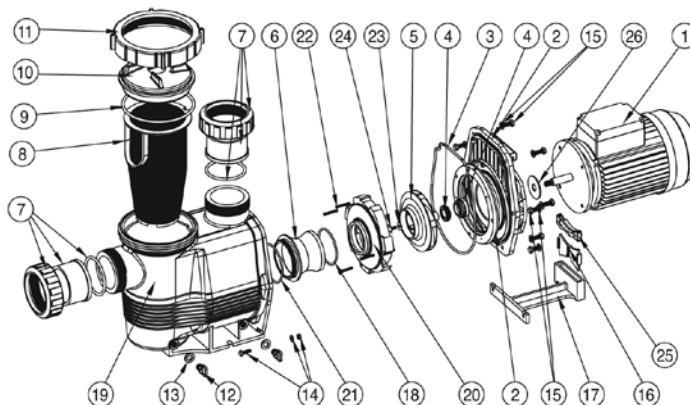


\* refer 17& 18 to page 230

# HYDROSTORM PLUS

Product Code: 2405100, 2405125, 2405150, 2405200, 2405250, 2405300, 24054003

Part Number	Product Description	Diagram Number	List Price	Price Inc Gst
6340274F	Motor 71F 1200WQTD A14 (100, 125)	1	1,100.00	1,265.00
634027502	Motor 1.68kW& insert (150-200)(6340275F motor+63402122)	1	1,200.00	1,380.00
6340275F	Motor 71F 1500WSTD A14 (150, 200)	1	1,150.00	1,322.50
6340277EM	Motor 80F/2.5HP/B14FLANGE	1	1,550.00	1,782.50
634030E	Motor 2.57kW c/w slinger (300, 350)	1	1,350.00	1,552.50
63403003	Motor 2.2kW/3 phase MEPS	1	1,250.00	1,437.50
6340681	Bracket assembly	2	460.00	529.00
634070	Pump body O-ring	3	14.00	16.10
6340162	Mechanical seal (316 S/S)	4	36.60	42.09
634012	Impeller (Hydrostrom Plus 100)	5	151.00	173.65
634013	Impeller (Hydrostorm Plus 125)	5	151.00	173.65
6340143	Impeller (Hydrostrom Plus 150)	5	150.00	172.50
6340145	Impeller (Hydrostorm Plus 200)	5	150.00	172.50
6340157	Impeller (Hydrostorm Plus 250)	5	150.00	172.50
63401534	Impeller (Hydrostorm Plus 300)	5	150.00	172.50
63401533	Impeller (Hydrostorm Plus 350)	5	151.00	173.65
634079	Suction nozzle (100 - 250)	6	31.40	36.11
634081	Suction nozzle (300 - 400)	6	31.40	36.11
634024B	Half Union 50mm W/O-ring (2 required) - Black	7	25.80	29.67
6340241	50mm half union O-ring	7	5.80	6.67
63406550BLK	65/50mm half union (suit 6340783)	7	FALSE	0.00
63406554	65/50mm half union O-ring	7	4.30	4.95
644492	Half union 65/80mm	7	31.40	36.11
12780	Coupling 80mm	n/s	37.50	43.13
634085	H/L pot basket	8	55.50	63.83
61214	H/L pot O-ring	9	15.40	17.71
634082	H/L pot lid	10	43.70	50.26
61209	H/L pot lock ring	11	71.00	81.65
634023	Drain plug	12	6.50	7.48
S0808921	Drain plug washer	13	3.10	3.57
634004211	Hydrostorm M6 multi pack bolts & washers (316 S/S) 2 x M6 x 20 bolt 2 x M6 washer 2 x M6 nut	14	28.90	33.24
63401830	M8 x 20 bolt*		1.90	2.19
6302180	M8 washer *		1.40	1.61
634021	Pump foot insert (100-350)	16	23.40	26.91
634073	Pump foot insert (400 only)	16	21.10	24.27
634022	Pump foot (100-350)	17	41.10	47.27
634072	Pump foot (400 only)	17	129.00	148.35
634011	Diffuser gasket (100 - 250)	18	5.70	6.56
6340113	Diffuser gasket (300 - 400)	18	4.30	4.95
6340761	Pump face H/L pot body 50mm (Hydrostorm Plus 100 - 250)	19	1,200.00	1,380.00
6340783	Pump face H/L pot body 65mm (Hydrostorm Plus 300-400)	19	1,200.00	1,380.00
634010	Diffuser (Hydrostorm Plus 100 - 250)	20	106.00	121.90
6340103	Diffuser (Hydrostorm Plus 300-400)	20	106.00	121.90
6340113	Suction nozzle O-ring	21	4.30	4.95
63400824	Diffuser screw (set of 4) (100 - 250)	22	8.30	9.55
63400834	Diffuser screw (set of 4) (300 - 400)	22	8.30	9.55
644772	Fibre washer (100-350)	23	1.20	1.38
6340412	O-ring BS113 (400 only)	23	4.20	4.83
6340410	L/Hand Screw M5x18 w/O-ring	24	28.80	33.12
6340411	Nut M10 Overmoulded	24	24.60	28.29
631782	Motor slinger - suits 634030E, 6340303E, 63404031E	26	10.30	11.85



\* refer 4 to page 230

# FASCO SINGLE SPEED MOTOR

Pump Motor (Product Code)	Pump Motor Product Description	Pump & Motor Model
6307245	MOTOR 63FRAMES 1170W BCB	Aquamite 033-100 Supastream 050 -125 Aquastream Solar MK2 050 - 125
63072451 Note: 63072451 can replace 6307245 but not in reverse due to IP ratings.	MOTOR 63FRAME 1170W IP55	Aquamite 033-100 Aquastream Solar MK2 050 - 125
6340274F	MTR 71FRAMES 1200W 7252 QTD-A14 8/99	Hydrotuf 075 - 125 Hydrostorm 100 -125 Hydrostorm Plus 075 - 125 Turboflo 100 - 125
6340275F	MOTOR 71FRAMES 1500W 7252 STD-A14 8/99	Hydrotuf 150 -200 Hydrostorm 150 -200 Hydrostorm Plus 150 - 200 Turboflo 150 -200 Pressure Booster 150
6340276F	MOTOR 71FRAMES 2100W 7252 XTD-A12 8/99	Hydrostorm 250 Hydrostorm Plus 250
635034F	MOTOR 71FRAMES 1500W 7252 STE-A15 8/99	Supatuf 100-125 Supatuf MK2 100
635035F	MOTOR 71FRAMES 1500W 7252 STE-A15 8/99	Supastream 150 Aquastream Solar MK2 150 Supatuf MK2 150 - 200

# FASCO VARIABLE SPEED MOTORS

Pump Motor (Product Code)	Pump Motor Product Description	Pump & Motor Model
63502743	MOTOR 0.75KW 3 SPEED BLDC NEMA FL BCB	Supatuf ECO 3 Speed Mk1 & Mk2
63402743	MOTOR 0.75KW 3 SPEED BLDC	Hydrostorm ECO 3 Speed
634027430	MOTOR 0.75KW 3SPEED BLDC NOVA ECO	Baker Hydro Nova ECO 3 Speed
634027431	MOTOR 0.75KW 3SPEED BLDC NOVA ECO	Lacron ECO 3 Speed
6350271	MOTOR IM POWER 750W NEMA V/SPEED	Supatuf ECO-V 100 Mk1 & Mk2
634027401	MOTOR IM POWER 750W B14 V/SPEED	Hydrostorm ECO-V 100 Baker Hydro Nova ECO-V 100
634027404	MOTOR IM POWER 750W B14 V/SPD LACRONITE	Lacron ECO-V 100
6350290	MOTOR IM POWER 1100W NEMA V/SPEED	Supatuf ECO-V 150 Mk1 & Mk2
63402752	MOTOR IM POWER 1100W B14 V/SPEED	Hydrostorm ECO-V 150
634027522	MOTOR IM POWER 1100W B14 V/SPEED LACRON	Lacron ECO-V 150

# WFE 1 VARIABLE SPEED MOTORS

Pump Motor (Product Code)	Pump Motor Product Description	Pump & Motor Model
6350276	MOTOR 750W NEMA V/SP QRB0004 PNR	Supatuf ECO-V 100 Mk1 & Mk2
63502900	MTR 1100W NEMA V/SPD PNR PMB3F007SP-WTC	Supatuf ECO-V 150 Mk1 & Mk2
634027406	MOTOR IM POWER 750W B14 V/SP PNR	Hydrostorm ECO-V 100 Baker Hydro ECO-V 100
634027407	MTR IM.P 750W B14 V/SPD PNR LACRON	Lacron ECO-V 100
634027520	MTR 1100W B14 V/SPD PNR	Hydrostorm ECO-V 150
634027524	MTR 1100W B14 V/SPD PNR LACRON	Lacron ECO-V 150

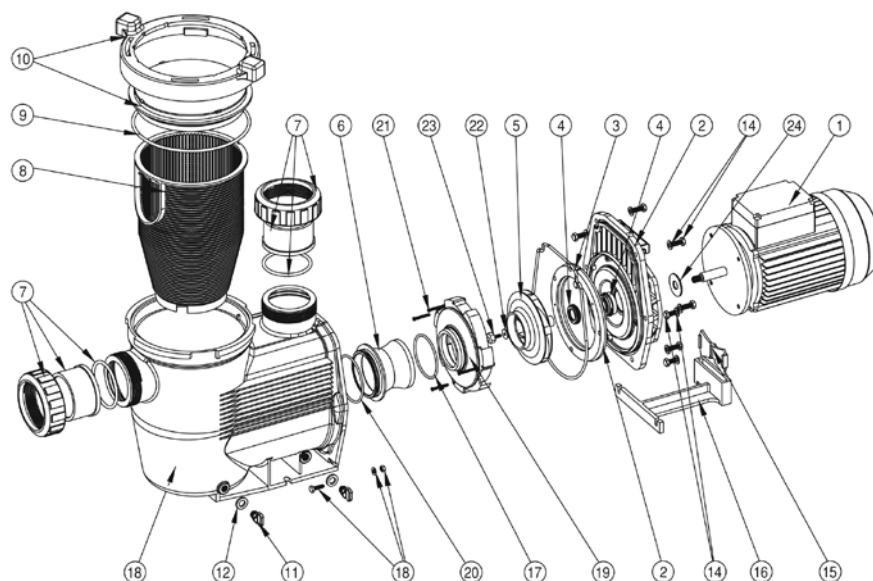


# WFE 1 SINGLE SPEED MOTORS

Pump Motor (Product Code)	Pump Motor Product Description	Pump & Motor Model
6350255	MOTOR 550W NEMA QR3028 PNR	Aquamite 033 - 100 Aquastream Solar MK2 050 & 075 Supastream 050 & 075 Supatuf MK2 050 & 075
6350275	MOTOR 750W NEMA QR2692 PNR	Aquamite 125 Aquastream Solar MK2 100 Supastream 100 & 125 Supatuf MK2 100
6350295	MOTOR 1100W NEMA QR2694 PNR	Aquastream 150 Supastream 150 Supatuf MK2 150
6350296	MOTOR 1500W NEMA PM3200056 PNR	Supatuf MK2 200 & 250
6350297	MOTOR 2200W 1PH NEMA PNR	Supatuf MK2 300
63402736	MOTOR 750W B14 PM3100220 PNR	Hydrostorm 100 & 125 Hydrostorm Plus 075 -125 Hydrotuf 075 - 125 Lacron 050 -100 Turboflo 100
63402734	MOTOR 1100W B14 PM3150084 "WFEI"	Pressure Booster 150 Hydrotuf 150 & 200 Hydrostorm 150 & 200 Hydrostorm Plus 150 & 200 Hydrostar MK3 200 Hydrotuf 150 & 200 Lacron 125 & 150 Turboflo 125, 150 & 200 Hydrostar MK3 200
63402735	MOTOR 1500W B14 PM3200055 PNR	Hydrotuf 250 Hydrostorm 250 Hydrostorm Plus 250 Turboflo 250 Lacron 200
63402738	MOTOR 2200W 1PH B14 PNR	Hydrotuf 300 Hydrostorm 300 Hydrostorm Plus 300 Turboflo 300 Hydrostar MK3 300
6350255	MOTOR 550W NEMA QR3028 PNR	Aquamite 033 - 100 Aquastream Solar MK2 050 & 075 Supastream 050 & 075 Supatuf MK2 050 & 075
6350275	MOTOR 750W NEMA QR2692 PNR	Aquamite 125 Aquastream Solar MK2 100 Supastream 100 & 125 Supatuf MK2 100
6350295	MOTOR 1100W NEMA QR2694 PNR	Aquastream 150 Supastream 150 Supatuf MK2 150
6350296	MOTOR 1500W NEMA PM3200056 PNR	Supatuf MK2 200 & 250
6350297	MOTOR 2200W 1PH NEMA PNR	Supatuf MK2 300
63402736	MOTOR 750W B14 PM3100220 PNR	Hydrostorm 100 & 125 Hydrostorm Plus 075 -125 Hydrotuf 075 - 125 Lacron 050 -100 Turboflo 100
63402734	MOTOR 1100W B14 PM3150084 "WFEI"	Pressure Booster 150 Hydrotuf 150 & 200 Hydrostorm 150 & 200 Hydrostorm Plus 150 & 200 Hydrostar MK3 200 Hydrotuf 150 & 200 Lacron 125 & 150 Turboflo 125, 150 & 200 Hydrostar MK3 200
63402735	MOTOR 1500W B14 PM3200055 PNR	Hydrotuf 250 Hydrostorm 250 Hydrostorm Plus 250 Turboflo 250 Lacron 200
63402738	MOTOR 2200W 1PH B14 PNR	Hydrotuf 300 Hydrostorm 300 Hydrostorm Plus 300 Turboflo 300 Hydrostar MK3 300

# HYDROSTAR 200 to 350

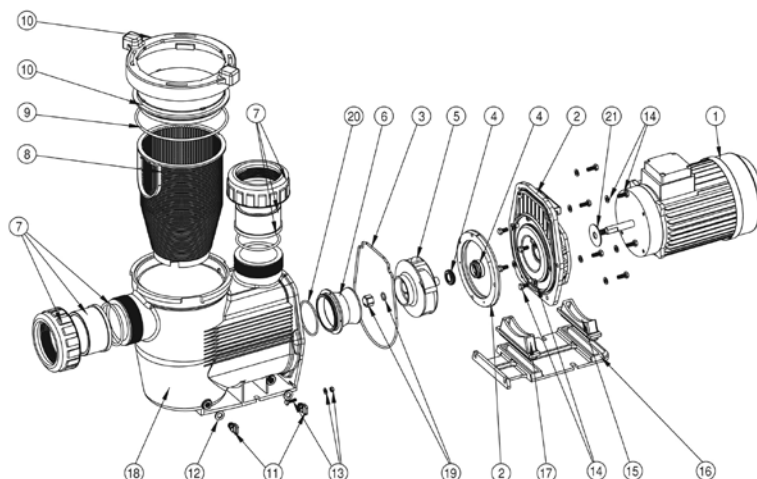
Part Number	Product Description	Diagram Number	List Price	Price Inc Gst
634027502	Motor 1.68kW& insert (150-200)(6340275F motor+63402122)	1	1,200.00	1,380.00
6340277EM	Motor 80F/2.5HP/B14FLANGE	1	1,550.00	1,782.50
634030E	Motor 2.57kW c/w slinger (300)	1	1,350.00	1,552.50
63402903	Motor 1.5kW/3 phase MEPS	1	1,200.00	1,380.00
63403032	Motor 2.2kW/3PH MEPS2	1	1,850.00	2,127.50
63403033	Motor 3.0HP 3PH 90F B14 EUR IES	1	1,850.00	2,127.50
63404416	Fan Cowl 1.5kW 3 phase 90F	n/s	149.00	171.35
63404417	Fan Cowl 2.2kW 3 phase 90F	n/s	149.00	171.35
6340464	Endshield 90F/B14 (for motor 634030E)	n/s	340.00	391.00
6340681	Bracket assembly	2	460.00	529.00
634070	Pump body O-ring	3	14.00	16.10
6340162	Mechanical seal (316 S/S)	4	36.60	42.09
6340145	Impeller (Hydrostar 200)	5	150.00	172.50
6340157	Impeller (Hydrostar 250)	5	150.00	172.50
63401534	Impeller (Hydrostar 300)	5	150.00	172.50
634079	Suction nozzle (200 - 250)	6	31.40	36.11
634081	Suction nozzle (300)	6	31.40	36.11
63406550BLK	65/50mm half union and O-ring	7	FALSE	0.00
63406554	65/50mm half union O-ring	7	4.30	4.95
634063	H/L pot basket	8	73.00	83.95
634075	H/L pot lid O-ring	9	14.00	16.10
6340661	Quarter turn lid and lock ring	10	286.00	328.90
634023	Drain plug	11	6.50	7.48
S0808921	Drain plug washer	12	3.10	3.57
634004211	M6 multi pack bolts & washers (316 S/S) 2 x M6 x 20 bolt 2 x M6 washer 2 x M6 nut	13	28.90	33.24
63401830	M8 x 20 bolt *	14	1.90	2.19
6302180	M8 washer *	14	1.40	1.61
63402122	Pump foot insert (Hydrostorm 200-250)	15	37.00	42.55
634022	Pump foot	16	41.10	47.27
634011	Diffuser gasket (suits 200 - 250)	17	5.70	6.56
6340113	Diffuser Nozzle O-ring	17	4.30	4.95
6340491	Pump face H/L pot body (Hydrostar 200, 250)	18	1,250.00	1,437.50
6340493	Pump face H/L pot body (Hydrostar 300)	18	1,350.00	1,552.50
634010	Diffuser (Hydrostar 200, 250)	19	106.00	121.90
6340103	Diffuser (Hydrostar 300)	19	106.00	121.90
6340113	Suction nozzle O-ring	20	4.30	4.95
63400824	Diffuser screw (set of 4)	21	8.30	9.55
644772	Fibre washer	22	1.20	1.38
6340410	L/Hand Screw M5x18 w/oring	23	28.80	33.12
631781	Motor slinger - suits 6340293E	24	10.30	11.85
631782	Motor slinger - suits 634030E, 6340303E	24	10.30	11.85
634086	Toolbar (suits all pumps)	n/s	18.30	21.05



\* refer 4 to page 230

# HYDROSTAR COMMERCIAL MK2 (MK1 - Pre 03/2004)

Part Number	Product Description	Diagram Number	List Price	Price Inc Gst
634040206	Motor 4.0kW - 3 phase MEPS (400, 500 MK2)	1&21	2,350.00	2,702.50
634040216	Motor 5.5kW - 3 phase MEPS (600, 700 MK2)	1&21	2,650.00	3,047.50
634070	Pump body O-ring	3	14.00	16.10
6340162	Mechanical seal (316 S/S)	4	36.60	42.09
634055	Impeller (Hydrostar 400)	5	178.00	204.70
634056	Impeller (Hydrostar 500)	5	178.00	204.70
634057	Impeller (Hydrostar 600)	5	178.00	204.70
634058	Impeller (Hydrostar 700)	5	178.00	204.70
6340550	Impeller (Hydrostar 400 MK2) to suit keyshaft	5	93.50	107.53
6340560	Impeller (Hydrostar 500 MK2) to suit keyshaft	5	97.00	111.55
6340570	Impeller (Hydrostar 600 MK2) to suit keyshaft	5	102.00	117.30
6340580	Impeller (Hydrostar 700 MK2) to suit keyshaft	5	106.00	121.90
6340803	80mm half union (black) and O-ring	7	76.50	87.98
6302550	80mm half union O-ring	7	5.70	6.56
634063	H/L pot basket (3HP and below)	8	73.00	83.95
634075	H/L pot lid O-ring	9	14.00	16.10
634061	Diffuser (pre 10/02)	n/s	106.00	121.90
6340651	H/L pot quarter turn lid and lock ring	10	345.00	396.75
63401830	M8 x 20 Bolt * (10 per pump)		1.90	2.19
6302180	M8 Washer * (10 per pump)		1.40	1.61
6340512	Pump body assembly - includes 634087 (for models w/o diffuser) Consisting of:- Hydrostar Pump Body 3" port Suction nozzle (for use w/o diffuser) Diffuser Nozzle O-ring Drain Plug 1/4" BSP (2 required) O-ring BS 112 (2 required)	18 6 n/s	1,250.00	1,437.50
6340681	Bracket assembly Consisting of:- Hydrostar bracket Diffuser ring	2	460.00	529.00
6340511	Pump face H/L pot body - includes 634064 (for models with diffuser)	18	1,350.00	1,552.50
6340411	Nut M10 overmoulded (for MK2 motors)	19	24.60	28.29
6340412	O-ring (for MK2 motors)	19	4.20	4.83
63400854	Diffuser screw (set of 4)	n/s	8.30	9.55
634064	Suction nozzle (for use with diffuser)	6	61.50	70.73
6340030	6340030 (M6 washer) 2 required		1.70	1.96
6340040	6340040 (M6 x 20 bolt) 2 required		2.90	3.34
634072	Pump foot (all models)	16	129.00	148.35
634073	Pump foot insert (Hydrostar 400, 500 and 600)	17	21.10	24.27
6340741	Pump foot insert (Hydrostar 700)	17	19.90	22.89
63402302	Drain plug	11	4.70	5.41
S0808921	Drain plug washer	12	3.10	3.57
634059	Motor rotation indicator	n/s	177.00	203.55
644772	Fibre washer (Hydrostar MK1)	n/s	1.20	1.38
6340410	L/Hand Screw M5x18 w/oring	23	28.80	33.12
6340113	Suction nozzle o ring	20	4.30	4.95
631782	Motor slinger	21	10.30	11.85
634086	Toolbar (suits all pumps)	n/s	18.30	21.05

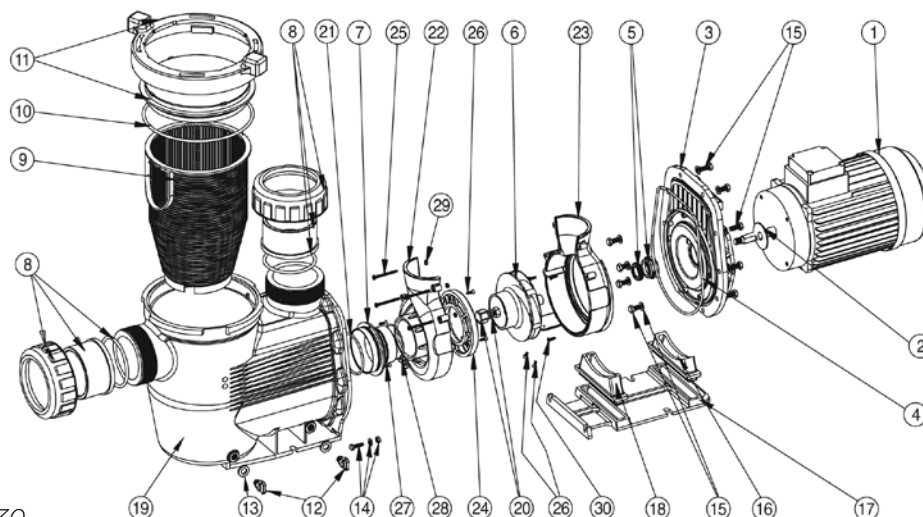


\* refer 4 to page 230

# HYDROSTAR COMMERCIAL MK3 (Post 08/2006)

Product Code: 240440033, 240450033, 240460033, 240470033

Part Number	Product Description	Diagram Number	List Price	Price Inc Gst
634040206	Motor 4.0kW 3 phase MEPS2 112F (400, 500)	1	2,350.00	2,702.50
634040216	Motor 5.5kW 3 ph (600, 700)	1	2,650.00	3,047.50
63404418	Fan Cowl 112F 4.0kW (for motor 634040206)		224.00	257.60
63404419	Fan Cowl 112F 5.5kW (for motor 634040216)		224.00	257.60
6340682	Hydrostar Bracket Mk2	3	390.00	448.50
6340700	Bracket O-ring Mk2	4	34.10	39.22
6340162	Mechanical Seal 316SS	5	36.60	42.09
63401625	Marine Mechancial Seal	5	520.00	598.00
6340550	Impeller (Hydrostar 400 MK2) to suit keyshaft	6	93.50	107.53
6340560	Impeller (Hydrostar 500 MK2) to suit keyshaft	6	97.00	111.55
6340570	Impeller (Hydrostar 600 MK2) to suit keyshaft	6	102.00	117.30
6340580	Impeller (Hydrostar 700 MK2) to suit keyshaft	6	106.00	121.90
6340803	80mm Half Union (Black) c/w O-ring	8	76.50	87.98
6302550	O-ring 80mm Half Union	8	5.70	6.56
6340651	Lid & Lock Ring	11	345.00	396.75
63401830	Screw Hex Set M8x20 SS316 (14 per pump)	15	1.90	2.19
6302180	Washer SS316 5/16X5/8X18G (14 per pump)	15	1.40	1.61
634072	Pump foot (400 - 700)	17	129.00	148.35
634073	Pump foot insert (Hydrostar 400, 500 and 600)	16/18	21.10	24.27
6340741	Pump foot insert (Hydrostar 700)	18/18	19.90	22.89
63405110	Hydrostar Pump Body Assembly 3" MK3 Consisting of :-	19	1,200.00	1,380.00
6340514	1 x Hydrostar Body 3" Port Mk3		1,250.00	1,437.50
6340543	1 x Hydrostar Volute Nozzle	7	15.20	17.48
6340116	1 x O-ring BS151	21	9.30	10.70
6340115	1 x O-ring BS145	28	8.60	9.89
63400833	Screw #4x3/8" P/Head SS304 (2 required)	27	1.10	1.27
63402302	Drain Plug 1/4" BSP .(2 required)	12	4.70	5.41
620193	O-ring BS112 (2 required)	13	4.30	4.95
6340630	1 x Hydrostar Commercial Strainer Basket	9	73.00	83.95
634075	1 x O-ring G200	10	14.00	16.10
6340411	Nut M10 Overmoulded	20	24.60	28.29
6340412	O'ring BS113	20	4.20	4.83
6340540	Volute Front	22	119.00	136.85
6340541	Volute Rear	23	106.00	121.90
6340542	Volute Insert (400, 500)	24	18.60	21.39
6340825	Screw M4X40MM P/Head SS304 (4 required)	25	3.00	3.45
6340828	Screw 8GX5/8" Countersunk SS304 (5 required)	26	3.00	3.45
6340826	Nut M4 Nyloc Hex SS304 (4 required)	29	3.00	3.45
6340827	Screw 8GX13MM Countersunk SS304 (3 required)	30	3.00	3.45
634059	Motor Rotation Indicator	n/s	177.00	203.55
634004211	M6 Multi-pack SS316 (Pack of 2) 2 x Screw M6X20 HEX SET SS316 2 x Washer SS316 1/4X9/16X18G 2 x-Nut M6 Hex SS316	14	28.90	33.24

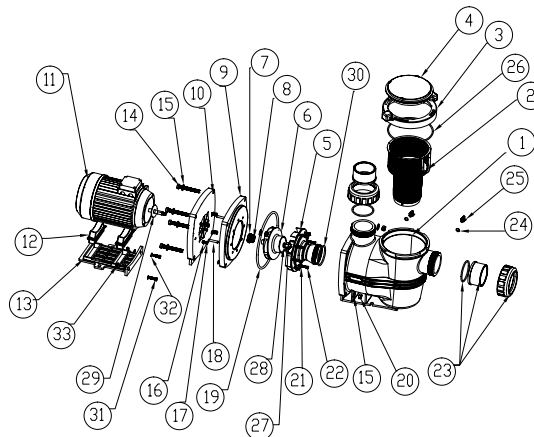


\* refer 5 to page 230

# HYDROSTAR COMMERCIAL MK4

Product Code: 240420033, 2404300333, 2404400333, 2404550333, 2404700333

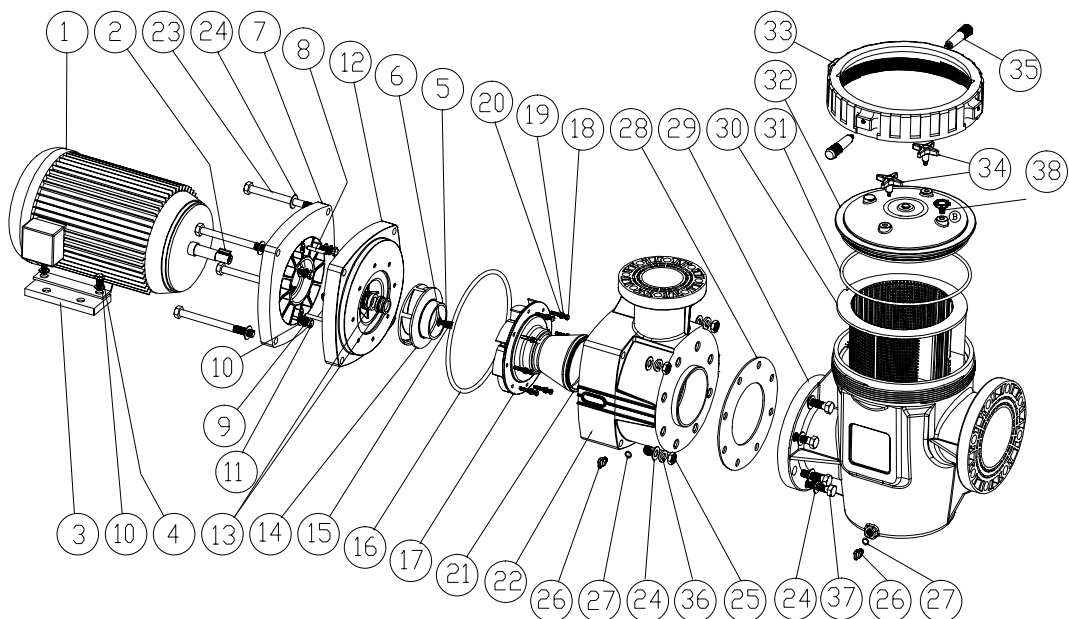
Part Number	Product Description	Diagram Number	List Price	Price Inc Gst
6340516	Pump Housing 3"Port H/Star MK4	1	365.00	419.75
6340519	Pump Housing 2.5" Port H/Star MK\$	1	0.00	
6340630	Basket Pump H/Star Comm & S/Steel Pump	2	73.00	83.95
634065	Hydrostar Lock Ring	3	159.00	182.85
634067	Hydrostar H&L Pot Lid	4	88.00	101.20
6346020	Diffuser W/Brass Ring H/Star MK4	5	169.00	194.35
6346024	Diffuser 3HP W/Brass Ring H/Star MK4	5	0.00	
6346025	Diffuser 2HP W/Brass Ring H/Star MK5	5	0.00	
6340550	Hydrostar Impeller 4HP Key Way Shaft	6	93.50	107.53
6340570	Hydrostar Impeller 5.5HP Key Way Shaft	6	102.00	117.30
6340580	Hydrostar Impeller 7HP Key Way Shaft	6	106.00	121.90
63401533	H/Storm 300/350E Impeller	6	151.00	173.65
6340145	H/Storm 1.5HP/200E 134.5X5.5 IMP W/Hole	6	150.00	172.50
634016201	Mech Seal Primary Seal Ring 6A Matte 316	7	26.60	30.59
634016202	Mech Seal Mating Ring 6A Matte S/S 316	8	20.90	24.04
6346010	Pump Seal Plate W/In H/Star MK4	9	126.00	144.90
6346000	Motor Adaptor Plate H/Star MK4	10	148.00	170.20
634040313	Motor 4&5HP 3PH 100F G3 EUR1 IE3	11	2,500.00	2,875.00
634055313	Motor 6.0HP 3PH 112F H3 EUR1 IE3	11	2,650.00	3,047.50
6340700313	Motor 7.0HP 3PH 112F I3 EUR IE3	11	3,350.00	3,852.50
63403033	Motor 3.0HP 3PH 90F B14 EUR1 IE3	11	1,850.00	2,127.50
63402933	Motor 2.0HP 3PH 80F B14 EUR1 IE3	11	960.00	1,104.00
6340740	Pump Foot Insert 550-700 H/Star MK4	12	9.60	11.04
6340744	Pump Foot Insert 400 H/Star MK4	12	9.60	11.04
6340746	Pump Foot Insert 300 H/Star MK4	12		
6340747	Pump Foot Insert 200 H/Star MK4	12		
6340720	Pump Foot 400-700 H/Star MK4	13	39.40	45.31
63409201	Bolt M12x100mm Hex HD SS316 Full Thread	14	13.50	15.53
W32467	Washer Plain 1/2" UNC SS316	15	0.00	
6302180	T'Tuf Mounting Washer S/S316 5/16x5/8	16	1.40	1.61
6350545	Bolt M8 x 45mm Hex HD SS316	17	2.70	3.11
6346500	Dowell Pin 8x47.5mm	18	8.30	9.55
634607	O-ring 258mm ID x 8mm	19	19.60	22.54
63409391	Nut Hex STD M12 Brass NI Plated	20	6.60	7.59
6340030	T'Tuf H/L Pot Foot Washer M6* S/S316	21	1.70	1.96
6346520	Bolt Hex HD 1/4" UNC x 1 3/4"SS316	22	1.00	1.15
6340803	H/Union 80mm W O'Ring - Black	23	76.50	87.98
W02253BLK	B/U Locking Nut 80mm - Black	23		
W02255BLK	B/U Plain End Slip/Slip 80mm - Black	23		
6302550	O-ring 80mm B/U EDPM	23	5.70	6.56
63406550BLK	H/U 65-50mm W O'Ring - Black	23		
6340655BLK	B/U Locking Nut 65mm - Black	23	0.00	
63406552BLK	B/U Plain End Slip/Slip 65/50mm - Black	23	23.50	27.03
63406554	O-ring Supaflo AS338	23	4.30	4.95
620193	O-ring BS112 ID12.37x2.62	24	4.30	4.95
63402301	Drain Plug 1/4" NPT	25	4.70	5.41
634075	Hydrostar Lid O'Ring G200 NBR 70SH	26	14.00	16.10
6340411	Nut Moulded M10 H/Star IMP	27	24.60	28.29
6340412	O-ring Nut Moulded BS113 ID13.95x2.62	28	4.20	4.83
631782	Motor Slinger 52x16x2mmth	29	10.30	11.85
634608	O-ring BS346	30	5.70	6.56
63401840	Screw M8x30 SS316 Allen Key Head	31	7.70	8.86
6302180	T'Tuf Mounting Washer S/S316 5/16x5/8	32	1.40	1.61
W32054	Hexagon Nut SS316 M8x1.25	33		



# HYDROSTAR PLUS

Product Code: 2460750, 2461000, 24607504, 24610004, 24612504

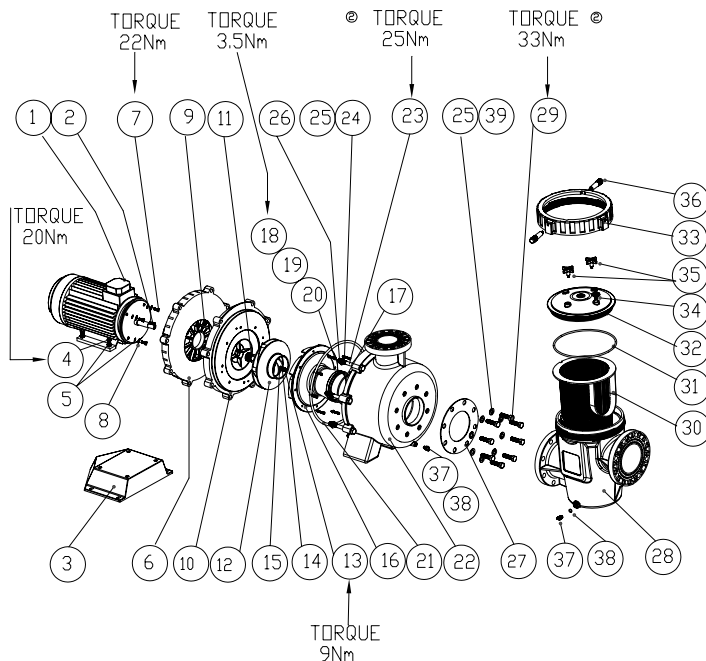
Part Number	Product Description	Diagram Number	List Price	Price Inc Gst
6340402203	Motor 7.5KW 3PH Baker Hydro EUR1 IE3	1	5,550.00	6,382.50
6340402102	Motor 5.5KW 3PH Baker Hydro EUR1 IE2	1	4,950.00	5,692.50
6340402503	Motor 9.5kW 3PH Mbaker Hydro EUR1 IE3	1	5,050.00	5,807.50
6340402305	Motor 11kW MEC 132F Euro01 IE3	1	6,250.00	7,187.50
63450660	Shaft Key 3/16"X 3/16" SS	2	9.60	11.04
6340742	Motor Support Spacer	3	66.50	76.48
6340743	Motor Support Spacer 132F 12.5HP & 15HP	3	73.50	84.53
6340920	Bolt M12X25 Hex HD SS304	4	48.90	56.24
6345035	Spring Washer 3/8" S/Steel	5	2.20	2.53
6302181	M10 Washer SS	6	7.80	8.97
634600	Motor Adaptor Plate	7	88.00	101.20
6340650	Dowel Pin 5/16"X54mm SS316	8	6.20	7.13
6340936	Plain Washer	10	1.90	2.19
634601	Pump Seal Plate w/Inserts	12	140.00	161.00
63401629	Mech Seal Type 2100 1" DIA	13	165.00	189.75
63401624	Mechanical Seal Type 2100 1" Diamarine GR	13	380.00	437.00
634610	Impeller 10HP w/Insert	14	142.00	163.30
634611	Impeller 7.5 HP w/Insert	14	141.00	162.15
634609	Impeller 12.5HP W/Insert	14	125.00	143.75
6346130	Impeller 11.0kW W/Insert	14	146.00	167.90
634651	Screw S/Head 3/8"-UNCX1"SS304	15	2.20	2.53
634605	O-ring 286 ID X 9.5MM	16	19.60	22.54
634602	Diffuser c/w Nozelle	17	236.00	271.40
634603	Diffuser c/w nozzle 12.5 8h	17	208.00	239.20
634652	Bolt Hex HD 1/4"-UNC X 1 3/4"SS304	18	1.10	1.27
W32587	Bolt Hex 1/4" -UNC X 2 1/4" SS316 (15HP)	18	0.00	
645461	Salty/SS 1/4" Spring Washer	19	1.00	1.15
6340030	Washer	20	1.70	1.96
634606	O-ring BS354	21	5.70	6.56
634604	Pump Housing H/Star + 10HP 4"JIS Flange	22	405.00	465.75
63409380	Bolt Hex 5/8"-UNC X 8" SS304	23	23.50	27.03
63409370	Washer 5/8"X 1 1/4"X 14G SS304	24	1.90	2.19
63409390	Nut Hex STD 5/8"-UNC Brass	25	6.10	7.02
63402302	Drain Plug 1/4" BSP	26	4.70	5.41
620193	O-ring BS112 Air R Vlv/Drain	27	4.30	4.95
63453064	Flange Gasket 6" Bore	28	103.00	118.45
63450580	PP Strainer Housing 6"FL Port B/Hydro	29	1,100.00	1,265.00
63450520	Strainer Basket Polypropylene Mk2	30	146.00	167.90
62027	O-ring Opal Lid	31	18.10	20.82
63450500	Strainer Lid PC Clear	32	289.00	332.35
620232	Filter Lock Ring 12"	33	465.00	534.75
AXFI168	Opal Cartridge Handle	34	5.10	5.87
6202321	Handle 12" & 16" Lockring	35	32.50	37.38
63409206	Bolt Hex Head 5/8"UNC X 57.1MM SS304	37	14.60	16.79
620221	Air Relief Valve	38	13.80	15.87



# HYDROSTAR PLUS 1450

Product Code: 2470500, 2470750, 2471000

Part Number	Product Description	Diagram Number	List Price	Price Inc Gst
6340402206	Motor 7.5kW 4 Pole 230/400V 50/60HZ B35 IP55 IE3	1		
6340402106	Motor 5.5kW 4 Pole 230/400V 50/60HZ B35 IP55 IE3	1		
6340402006	Motor 3.7kW 4 Pole 230/400V 50/60HZ B35 IP55 IE3	1		
63450660	Key 3/16" X 3/16" X 30mm SS316	2		11.04
6340745	Motor Support Hydrostar Plus 1450	3		
W32570	Bolt Hex M 12x25mm SS316	4		
W32467	Washer Plain 1/2" UNC SS316	5		
6346001	Motor Adaptor Plate Hydrostar Plus 1450	6	271.00	311.65
W32575	Bolt Hex 1/2" UNC x 1 1/4" SS316	7		
W32573	Spring Washer 1/2" SS316	8		
6340650	Dowel Pin 5/16"X54mm SS316	9	6.20	7.13
6346011	Pump Seal Plate w/Inserts Hydrostar Plus 1450	10		
63401629	Mechanical Seal Assy 1" Type 6 M30070	11	165.00	189.75
6346100	Impeller 10.0HP w/Insert Hydrstar Plus 1450	12		
6346110	Impeller 7.5HP w/Insert Hydrostar Plus 1450	12		
6346140	Impeller 5.0HP w/Insert Hydrostar Plus 1450	12		
W32576	Screw S/Head 3/8"-UNCX1"SS316	13		
W32571	Spring Washer 3/8" SS316	14		
W32572	Washer Flat M10 SS316	15		
6346023	Diffuser 10.0HP w/Brass Ring Hydrostar Plus 1450	16		
612080	O-ring BS359	17		
W32577	Bolt Hex 1/4" UNC X 1 3/4" SS316	18		
W32067	Spring Lockwasher 1/4 IN ID - 1/2 IN OD SS316	19		
6340030	T'TUF H/L Pot Foot Washer M6* S/S316	20	1.70	1.96
6346080	O-ring ID413 x CS11MM	21	34.30	39.45
6340518	Pump Housing w/Inserts 4" JIS Hydrostar Plus 1450	22		
6340517	Pump Housing w/Inserts 4" ANSI Hydrostar Plus 1450	22		
63409382	Bolt Hex 5/6"-THRD 45MM SS316	23	26.90	30.94
W22623	Washer Split Lock 5/8" SS316	24		
W32472	Washer Plain 5/8" UNC SS316	25		
63409390	Nut Hex STD 5/8"-UNC Brass	26	6.10	7.02
63409390	Nut Hex STD 5/8"-UNC Brass	26	6.10	7.02
63453064	Flange Gasket 6" Bore	27	103.00	118.45
63450580	PP Strainer Housing 6"FL Port B/Hydro	28	1,100.00	1,265.00
W32902	Bolt HEX 5/8" UNC X 2.5" SS316	29		
63450520	Strainer Basket Polypropylene Mk2	30	146.00	167.90
62027	O-ring Opal Lid	31	18.10	20.82
63450500	Strainer Lid PC Clear	32	289.00	332.35
620232	Filter Lock Ring 12"	33	465.00	534.75
620221	Air Relief Valve	34	13.80	15.87
W02629	Opal Cartridge Handle (AXFI168)	35		
6202321	Handle 12" & 16" Lockring	36	32.50	37.38
63402302	Drain Plug 1/4" BSP	37	4.70	5.41
620193	O-ring BS112 Air R Vlv/Drain	38	4.30	4.95
W12773	Spring Washer 5/8	39		



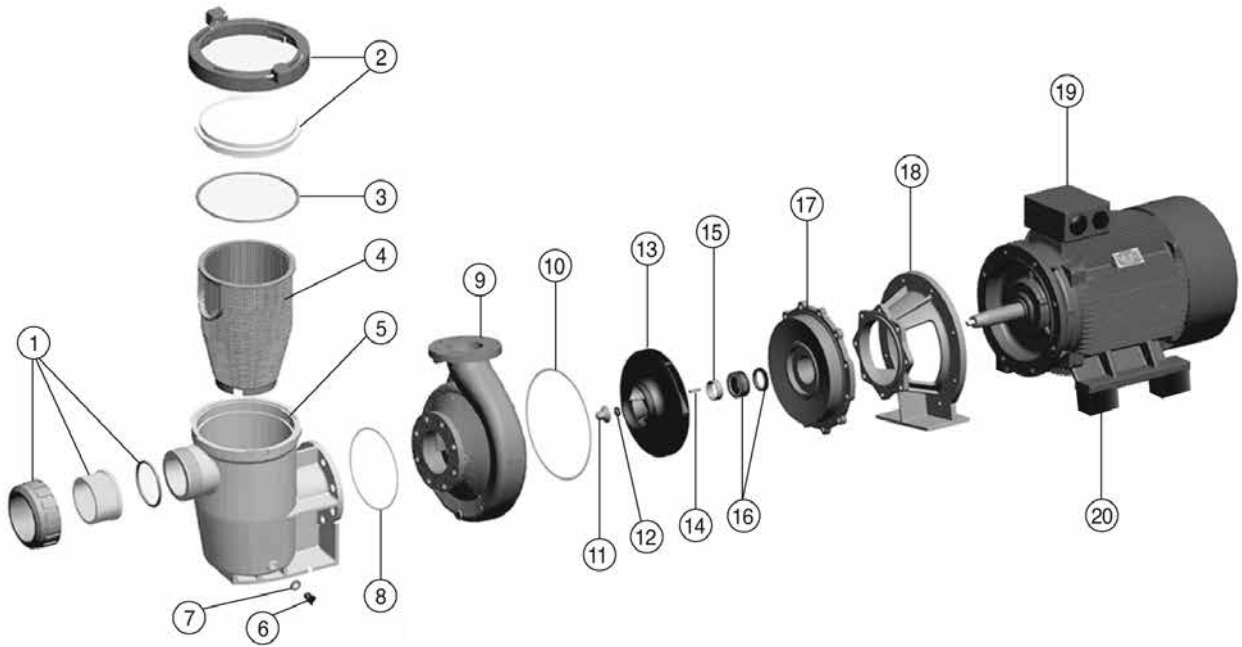
# HYDROSTEEL PUMP

Product Code: 2408400, 2408401, 2408550, 2408551, 2408750, 2408751 & 2408753 (2408753 without strainer)

Part Number	Product Description	Diagram Number	List Price	Price Inc Gst
6340803	80mm Half Union with O-ring	1	76.50	87.98
6302550	80mm Half Union O-ring	1	5.70	6.56
6340651	Lid & Lock Ring	2	345.00	396.75
634075	O-ring G200	3	14.00	16.10
6340630	Commercial Strainer Basket	4	73.00	83.95
6340901	Lint Pot SS (to suit 4 kW)	5	294.00	338.10
6340902	Lint Pot SS (to suit 5.5 kW)	5	310.00	356.50
63409031	PP Strainer 4" threaded port	5	940.00	1,081.00
63409032	PP Strainer 6" threaded port	5	1,050.00	1,207.50
63402301	Drain Plug H/L Pot	6	4.70	5.41
6320193	Washer - Drain Plug H/L Pot	7	3.10	3.57
1216801	Flange Gasket 80mm	8	20.00	23.00
6340906	Casing (to suit 4 kW - Flange Type)	9	6,850.00	7,877.50
6340904	Casing (to suit 4 kW - Screw Type)	9	6,850.00	7,877.50
6340907	Casing (to suit 5.5 kW - Flange Type)	9	7,350.00	8,452.50
6340905	Casing (to suit 5.5 kW - Screw Type)	9	7,350.00	8,452.50
6340935	Casing Gasket	10	73.50	84.53
6340915	Impeller Nut	11	267.00	307.05
6340916	Spring Washer M16 SS	12	24.60	28.29
6340910	Impeller (to suit 4 kW)	13	3,400.00	3,910.00
6340911	Impeller (to suit 5.5 kW)	13	3,500.00	4,025.00
6340917	Impeller Key	14	97.50	112.13
6340925	Spacer (to suit 4 kW)	15	243.00	279.45
6340926	Spacer (to suit 5.5 kW)	15	243.00	279.45
63401627	Mechanical Seal (to suit 4 kW)	16	177.00	203.55
63401628	Mechanical Seal (to suit 5.5 kW)	16	292.00	335.80
6340933	Seal Plate (to suit 4 kW)	17	3,700.00	4,255.00
6340934	Seal Plate (to suit 5.5 kW)	17	3,950.00	4,542.50
6340930	Adapter Plate (to suit 4 kW)	18	1,000.00	1,150.00
6340931	Adapter Plate (to suit 5.5 kW)	18	1,150.00	1,322.50
634040204	Motor 4.0kW MEPS2 112F	19	2,350.00	2,702.50
634040214	Motor 5.5 kW MEPS	19	2,650.00	3,047.50
634040224	Motor 7.5 kW MEPS	19	3,350.00	3,852.50
63404422	Fan Cowl 112F 4.0kW (for motor 634040204)	n/s	224.00	257.60
63404423	Fan Cowl 132F 5.5kW (for motor 634040214)	n/s	300.00	345.00
63404424	Fan Cowl 132F 7.5kW (for motor 634040224)	n/s	300.00	345.00
6340921	Motor Support 4 kW (4 required)	20	24.60	28.29
6340922	Motor Support 5.5 kW (4 required)	20	48.90	56.24
631784	Motor Slinger (to suit 4 kW)	n/s	26.00	29.90
631785	Motor Slinger (to suit 5.5 kW)	n/s	26.00	29.90
6340924	Hex Bolts M10 x 55mm (4 Required)	n/s	7.30	8.40
6302181	Washer M10 - SS (4 required)	n/s	7.80	8.97
S059676	Nut M10 - SS 304 (8 required)	n/s	8.50	9.78
6340920	Bolts M12x25mm SS 304 (8 required)	n/s	48.90	56.24
6340936	Plain Washer M12 SS (4 required)	n/s	1.90	2.19
6340923	Stud M10x20mm SS 304 (4 required)	n/s	24.60	28.29
6340918	Casing Drain Plug 3/8"	n/s	48.90	56.24
6340919	Plug 1/4" NPT SS 304	n/s	48.90	56.24
6340938	Hex Bolts M16x60mm (8 required)	n/s	20.80	23.92
6340939	Hex Nut M16 SS 304 (8 required)	n/s	4.90	5.64
6340937	Plain Washer M16 SS (8 required)	n/s	3.00	3.45



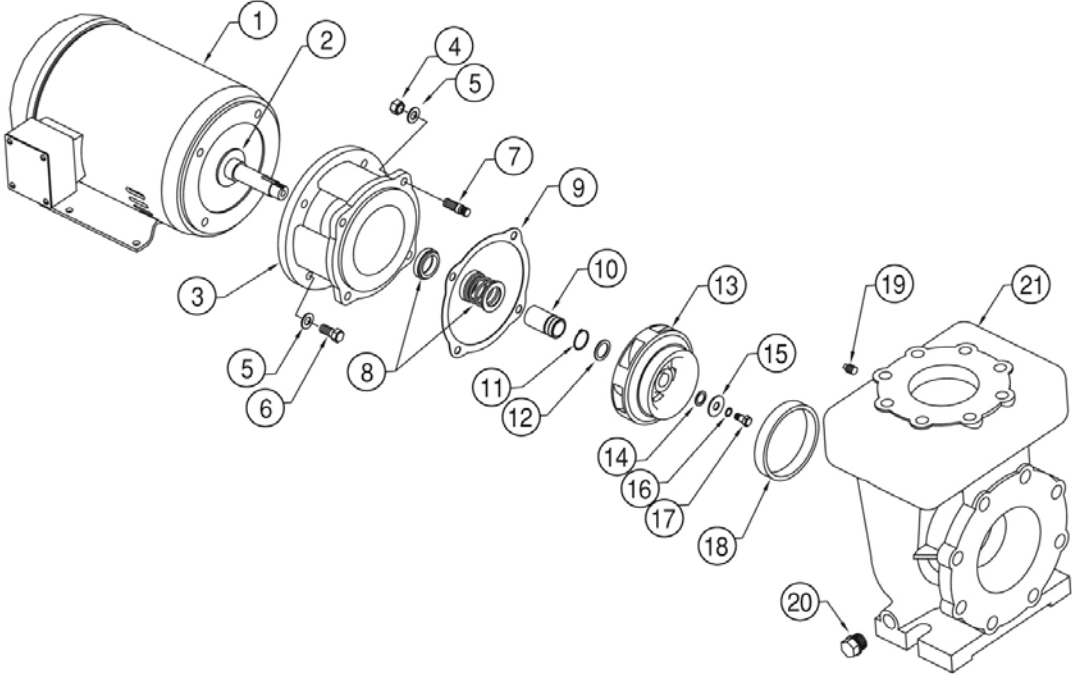
# HYDROSTEEL PUMP (continue)



# CAST IRON PUMP

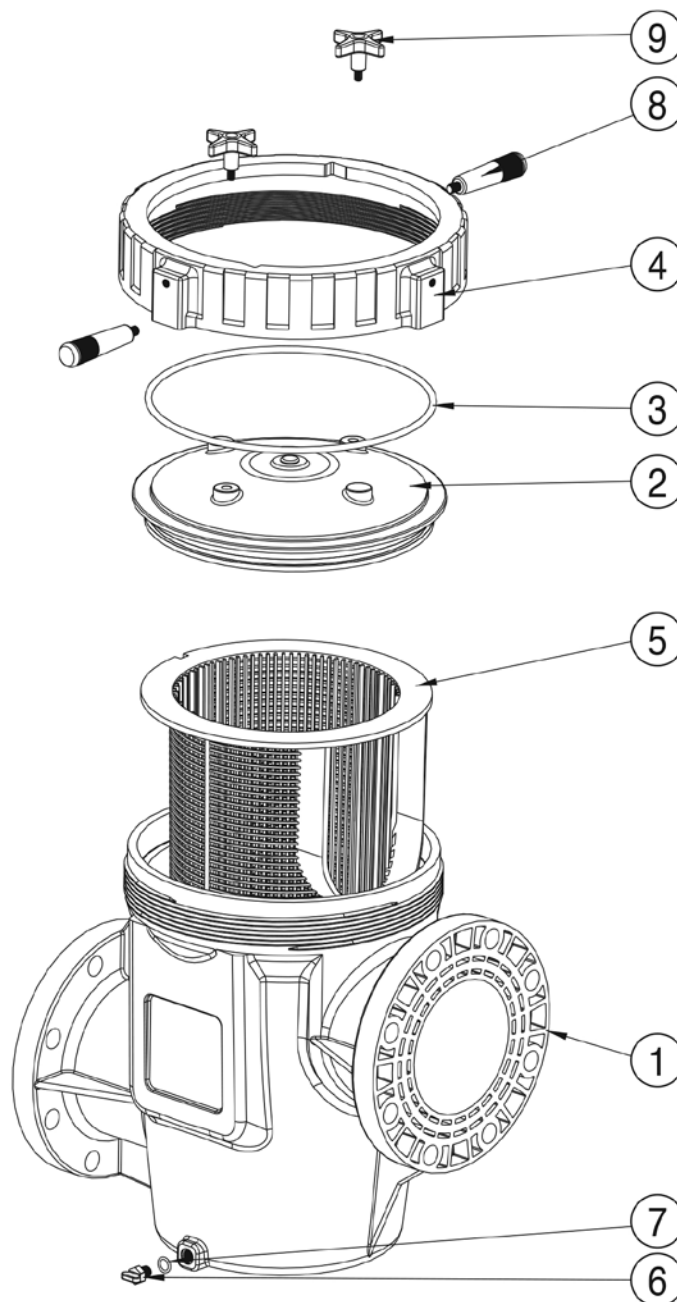
Part Number	Product Description	Diagram Number	List Price	Price Inc Gst
634040212	Motor 5.5kW MEPS2	1	5,600.00	6,440.00
634040213	Motor 5.5 kW MEPS2 132F	1	3,550.00	4,082.50
634040222	Motor 7.5kW MEPS2	1		
634040223	Motor 7.5 kW MEPS2 132F	1		
634040233	Motor 11.0 kW MEPS2 160F	1	5,800.00	6,670.00
63404412	Fan Cowl 112F 4.0kW	n/s		
63404413	Fan Cowl 132F 5.5kW	n/s		
63404414	Fan Cowl 132F 7.5kW	n/s		
63404415	Fan Cowl 160F 11.0kW	n/s		
631786	Motor Slinger (5.5, 7.5kW)	2		22.54
631787	Motor Slinger (11kW)	2		
6345039	Pump Bracket 4.0kW	3		
6345040	Pump Bracket 5.5-7.5kW	3	790.00	908.50
6345041	Pump Bracket 11.0kW	3		
6345036	Nut 1/2"UNC Hex SS	4		
6345038	Spring Washer 1/2" SS	5		
6345037	Bolt 1/2"UNCx1.25" SS	6		
6345034	Stud 1/2"UNCx1.5"	7		
6345032	Seal Assembly 1.250" (4.0, 5.5, 7.5kW)	8	276.00	317.40
6345033	Seal Assembly 1.750" (11.0kW)	8	470.00	540.50
6345025	Pump Body Gasket	9	24.20	27.83
6345028	Shaft Sleeve 1.25" OD (4.0, 5.5, 7.5kW)	10	219.00	251.85
6345029	Shaft Sleeve 1.75" OD (11.0kW)	10	244.00	280.60
6345030	External Circlip 1.187" SS (4.0, 5.5, 7.5kW)	11	53.50	61.53
6345031	External Circlip 1.75" SS (11.0kW)	11		
6345026	Sleeve Gasket 1.25" (4.0, 5.5, 7.5kW)	12	12.30	14.15
6345027	Sleeve Gasket 1.75" (11.0kW)	12	0.00	
63450210	Impeller 154.7mm - 4.0kW MEPS 2	13	960.00	1,104.00
63450220	Impeller 154.7mm - 5.5kW MEPS 2	13	960.00	1,104.00
63450230	Impeller 147mm - 7.5kW MEPS 2	13		
63450241	Impeller 154.7mm - 11.0kW MEPS 2	13	960.00	1,104.00
6345017	Washer Gasket 1.19" (4.0, 5.5, 7.5kW)	14	12.30	14.15
6345018	Washer Gasket 1.625" (11.0kW)	14		
6345019	Impeller Washer 1.1875" SS (4.0, 5.5, 7.5kW)	15		
6345020	Impeller Washer 1.625" SS (11.0kW)	15	69.00	79.35
6345015	Washer - Stat-O-Seal SS 3/8" (4.0, 5.5, 7.5kW)	16	0.00	
6345016	Washer - Stat-O-Seal SS 1/2" (11.0kW)	16	32.50	37.38
6345062	Bolt 3/8"UNCx1" SS (4.0, 5.5, 7.5kW)	17		
6345063	Bolt 1/2"UNCx1" SS (11.0kW)	17		
6345013	Bronze Wear Ring	18		
63450100	Pump Housing Assembly	21		
6340964	Wet End 4.0kW	n/s		
6340965	Wet End 5.5kW	n/s		
6340967	Wet End 7.5kW	n/s		
6340969	Wet End 11.0kW	n/s		
6345008	Strainer 6"	n/s		
6345057	Strainer Housing - Cast Iron	n/s		
6345050	Strainer Lid - Cast Iron	n/s	720.00	828.00
6345051	Strainer Lid O-ring	n/s	104.00	119.60
6345052	Strainer Basket	n/s		
6345053	Hold Down Knob	n/s	140.00	161.00
6345054	Strainer Knob Bolt	n/s		
6345056	Knob Roll Pin	n/s		
6345035	Spring Washer 3/8" SS	n/s	2.20	2.53
63453063	Flange Gasket 4" ANSI	n/s	67.50	77.63
63453064	Flange Gasket 6" ANSI	n/s	103.00	118.45
63409204	Bolt 3/4"UNCx2.25"	n/s		
63409205	Spring Washer 3/4"	n/s		
63409207	Bolt 5/8"UNCx2" Galvanised	n/s		
63409208	Spring Washer 5/8"	n/s		
6345065	Key Steel 3/16"x3/16" - Zinc Plated (4.0, 5.5, 7.5kW)	n/s		
6345066	Key Steel 1/4"x1/4" - Zinc Plated (11.0kW)	n/s	71.00	81.65
63450580	PP Strainer Housing 6" flange		1,100.00	1,265.00
63450581	PP Strainer Housing 4" Flange			
63450582	PP Strainer Housing 4" threaded			

# CAST IRON PUMP (continue)



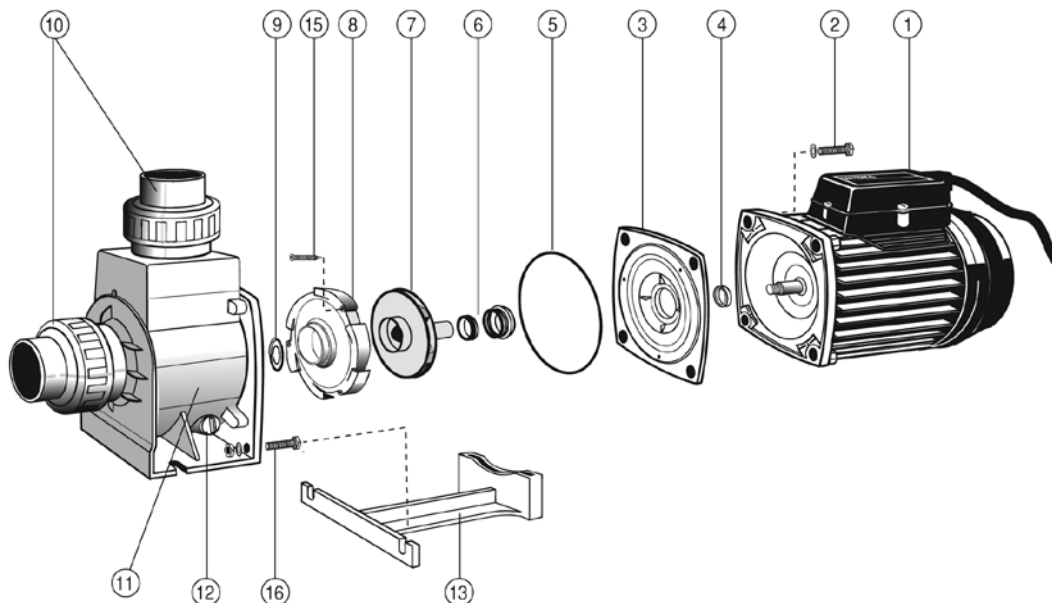
# HYDRO 5000 COMMERCIAL STRAINER

Part Number	Product Description	Diagram Number	List Price	Price Inc Gst
63409031	PP Strainer Housing 4" Threaded Port SS	1	940.00	1,081.00
63409032	PP Strainer Housing 6" Flange Port SS	1	1,050.00	1,207.50
63450581	PP Strainer Housing 4" Flange Port B/Hydro	1		
63450582	PP Strainer Housing 4" Threaded Port B/Hydro	1		
63450580	PP Strainer Housing 6" Flange Port B/Hydro	1	1,100.00	1,265.00
63450500	Hair & Lint Pot Lid 12" PC Clear	2	289.00	332.35
62027	Opal Lid O Ring BS452A	3	18.10	20.82
620232	Filter Lock Ring 12"	4	465.00	534.75
63450520	Strainer Basket PP	5	146.00	167.90
63402302	Drain Plug 1/4" BSP	6	4.70	5.41
620193	O-ring BS112	7	4.30	4.95
6202321	Handles; Opal Lid/12" + 16" lock ring (2 req'd)	8	32.50	37.38
AXF1168	CF Knob	9	5.10	5.87
620221	Air Release Valve		13.80	15.87



# SUPAFLO

Part Number	Product Description	Diagram Number	List Price	Price Inc Gst
635035L	Motor 1.68kW no slinger required (150-200)	1	1,050.00	1,207.50
635035F	Motor 71F 1500WSTE A15	1	1,050.00	1,207.50
635036L	Motor 2.16kW no slinger required (250)	1	1,150.00	1,322.50
63401813	Supatuf multi pack M10 bolts & washers 4 x M10 x 30 bolt 4 x M10 washer	2	21.40	24.61
631782	Motor slinger (suit 635038E)	4	10.30	11.85
635028	Pump body O-ring	5	7.20	8.28
6340162	Mechanical seal	6	36.60	42.09
635012	Impeller (Supaflo 150)	7	138.00	158.70
635013	Impeller (Supaflo 200)	7	138.00	158.70
6350230	Impeller (Supaflo 250)	7	138.00	158.70
6350160	Impeller (Supaflo 300)	7	138.00	158.70
635017	Diffuser (Supaflo 150, 200)	8	97.50	112.13
635022	Diffuser (Supaflo 250, 300, 350)	8	98.00	112.70
634011	Diffuser gasket (Supaflo 150, 200, 250)	9	5.70	6.56
6340113	Diffuser gasket (Supaflo 300, 350)	9	4.30	4.95
63406550BLK	65/50mm half union	10	FALSE	0.00
63501941	Pump body (Supaflo 150, 200)	11	292.00	335.80
63501961	Pump body (Supaflo 250, 300, 350)	11	450.00	517.50
634023	Drain plug	12	6.50	7.48
6340223	Pump foot	13	38.00	43.70
63400834	Diffuser screw (set of 4)	15	8.30	9.55
6340020	Supatuf multi pack M6 bolts & washers 2 x M6 nut 2 x M6 washer 2 x M6 x 25 bolt	16	11.40	13.11
634041	Impeller retaining screw (Supaflo 250-350)	n/s	28.20	32.43
644772	Fibre washer (Supaflo 250-350)	n/s	1.20	1.38
6350212	Adaptor Kit for Supatuf/Supaflo (75-200) 63502140 - Square Bracket Kit (S/T 75-200 Mkl) S1290816 - Screw M3x30mm Pan Head SS (each, 3 required) 6340165 - Flange Protector Kit 63400833 - Screw #4x3/8" Pan Head SS (each, 2 required) 6340162 - Mechanical Seal SS 316	6 & 13 6 20 21 6	202.00	232.30
63502151	Adaptor Kit for Supatuf/Supaflo (250-350) 63502141 - Square Bracket Kit (S/T 250-350 Mkl) 63400835 - Screw M3x45 SS 304 Pan Head (each, 3 required) 6340165 - Flange Protector Kit 63400833 - Screw #4 3/8" Pan Head SS (each, 2 required) 6340162 - Mechanical Seal SS 316	6 & 13 6 20 21 10	237.00	272.55
63502743	Supaflo ECO motor		1,550.00	1,782.50





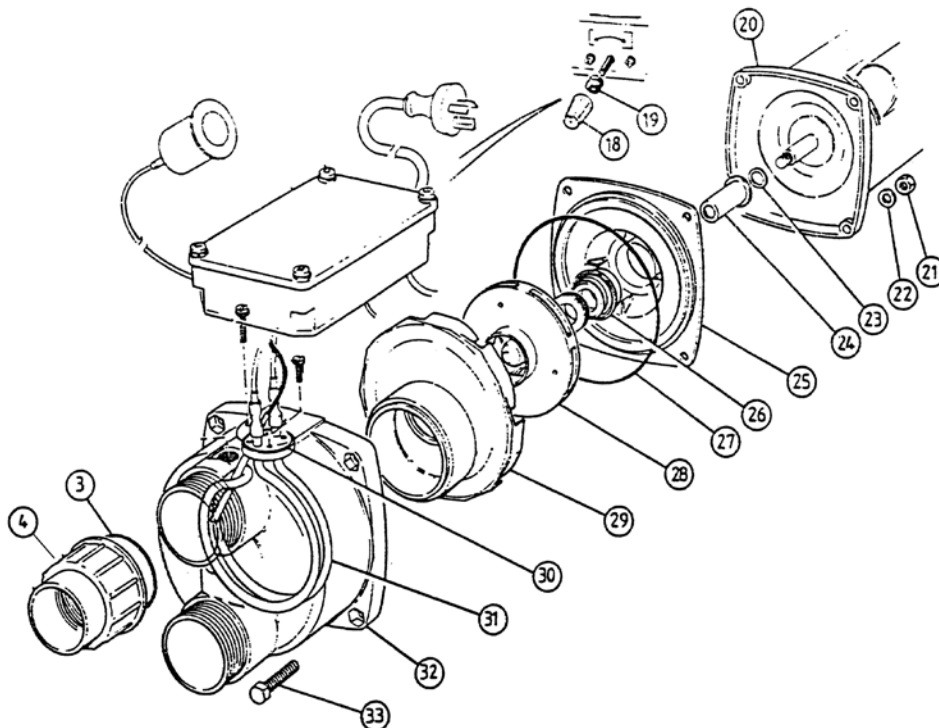
# MECHANICAL SEALS

Part Number	Product Description	Diagram Number	List Price	Price Inc Gst
63401629	STD Mechanical Seal 1"		165.00	189.75
6340162	STD Mechanical Seal 3/4" (consists of 2 parts 634016201 & 634016202)		36.60	42.09
63401624	Marine Mechanical Seal 1"		380.00	437.00
63401625	Marine Mechanical Seal 3/4"		520.00	598.00
634016201	STD Mechanical Seal Primary Seal Ring 3/4"		26.60	30.59
634016202	STD Mechanical Seal Mating Ring 3/4"		20.90	24.04

# PORTAPAC ELECTRONIC - DEMAND & DEMAND ELITE

Product Code: 4555100E, 101E, 1001E, 60E, 4555100, 4555101

Part Number	Product Description	Diagram Number	List Price	Price Inc Gst
S13185A	Half union 50/40mm	4	42.90	49.34
6307245	Motor 1.17kW (4555100E, 101E, 1001E, 60E)	20	780.00	897.00
S0013815	5/16 x 5/8 washer (nose)	22	1.10	1.27
S122863	Brass shim	23	3.20	3.68
6340162	Mechanical seal	26	36.60	42.09
S1226911	Pump Body O-ring	27	8.50	9.78
S13307E1	Impeller (suit 100E, 1001E, Demand)	28	136.00	156.40
S13308E1	Impeller (suit 101E, 60E, Demand Elite)	28	136.00	156.40
S1295611	Diffuser	29	66.00	75.90
63813899	Profile washer	30	45.70	52.56
			0.00	
S13869A	Element 2.4kw (suits 101E, 60E, Demand & Demand Elite)	31	410.00	471.50
AXPU158	Pump foot		25.40	29.21
634004	M6 X 20mm bolt		6.50	7.48
63813920	Element O-ring		4.40	5.06
S0889015	Washer		1.10	1.27
634036	M4 x 16mm screw		1.00	1.15
6367237	Pressure switch (suits all)		145.00	166.75
S138631	Control box lid (suits all)		18.60	21.39
S138621	Control box bottom (suits all)		38.20	43.93
63813913	Sequential air switch (suits all)		32.70	37.61
638162	Remote sensor housing assembly (pre 2004)		10.30	11.85
6381620	Remote sensor housing assembly (post 2004)		9.70	11.16
6413002	Sensor suction pipe fitting assembly (no sensor)		66.00	75.90
64130032	Temperature sensor MK2 (suits 6381620)		110.00	126.50
86172	Gulf stream plug for sensor suction pipe		0.70	0.81
455580E	Spa clock assembly		330.00	379.50
638172	O/T sensor MK2		FALSE	0.00
S1348011	Union o ring	3	4.30	4.95
<b>For Demand &amp; Demand Elite (4555100 &amp; 4555101)</b>				
S1153326	Probe Washer		1.30	1.50
638143	Pocket Capillary (suit Ego)		92.50	106.38
S13852	Thermostat Adj (44.5 -45.5)		370.00	425.50
638142	Thermostat Adj (20 - 45)		370.00	425.50
S12811	Air Switch Latch		176.00	202.40
S12202	Thermostat Knob		33.10	38.07
634037	Element Screw 25mm x 16mm (Electronic)		1.10	1.27

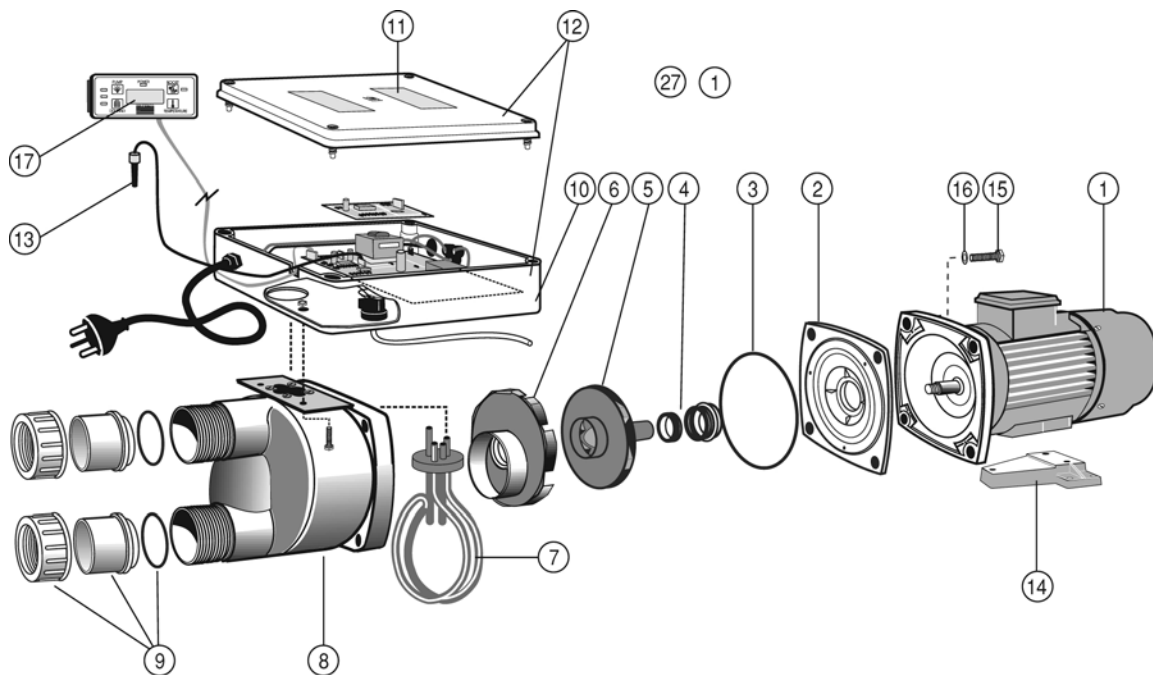




# PORTAPAC ELECTRONIC

Product Code: 4555130E, 132, 133, 134, 135E, 136, 137E, 138, 139

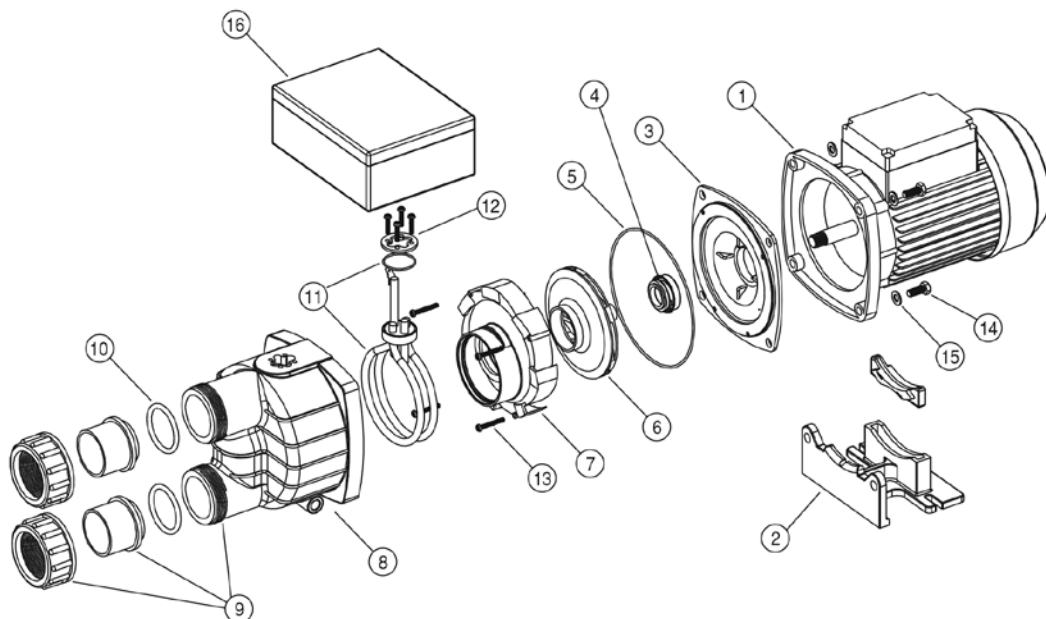
Part Number	Product Description	Diagram Number	List Price	Price Inc Gst
6307245	Motor 1.17kW	1	780.00	897.00
S1226911	O-ring	3	8.50	9.78
6340162	Mechanical seal	4	36.60	42.09
S13308E1	Impeller (suit 133, 135E, 136, 137E, 139)	5	136.00	156.40
S13307E1	Impeller (suit 130E, 132, 134, 138)	5	136.00	156.40
S1295611	Diffuser	6	66.00	75.90
S13869A	Element 2.4kw (suits 133, 135E, 136, 137E, 138)	7	410.00	471.50
S13185A	Half union 50 x 40mm	9	42.90	49.34
S138631	Control box lid	11	18.60	21.39
64130032	Temperature sensor MK2 (suits 6381620)	13	110.00	126.50
AXPU158	Pump foot	14	25.40	29.21
634004	M6 X 20mm bolt	n/s	6.50	7.48
S122863	Brass shim	n/s	3.20	3.68
63813899	Profile washer	n/s	45.70	52.56
63813920	Element o ring	n/s	4.40	5.06
S0889015	Washer		1.10	1.27
634036	M4 x 16mm screw		1.00	1.15
6367237	Pressure switch	n/s	145.00	166.75
638162	Remote sensor housing assembly (pre 2005)	n/s	10.30	11.85
6381620	Remote sensor housing assembly		9.70	11.16
86172	Gulf stream plug	n/s	0.70	0.81
6413002	Sensor suction pipe fitting (no sensor)	n/s	66.00	75.90
634037	M4 x 25mm screw		1.10	1.27
638172	O/T sensor MK2			



# PORTAPAC MK2/MK3/MK4

(4555140, 4555141, 45551403, 45551413)

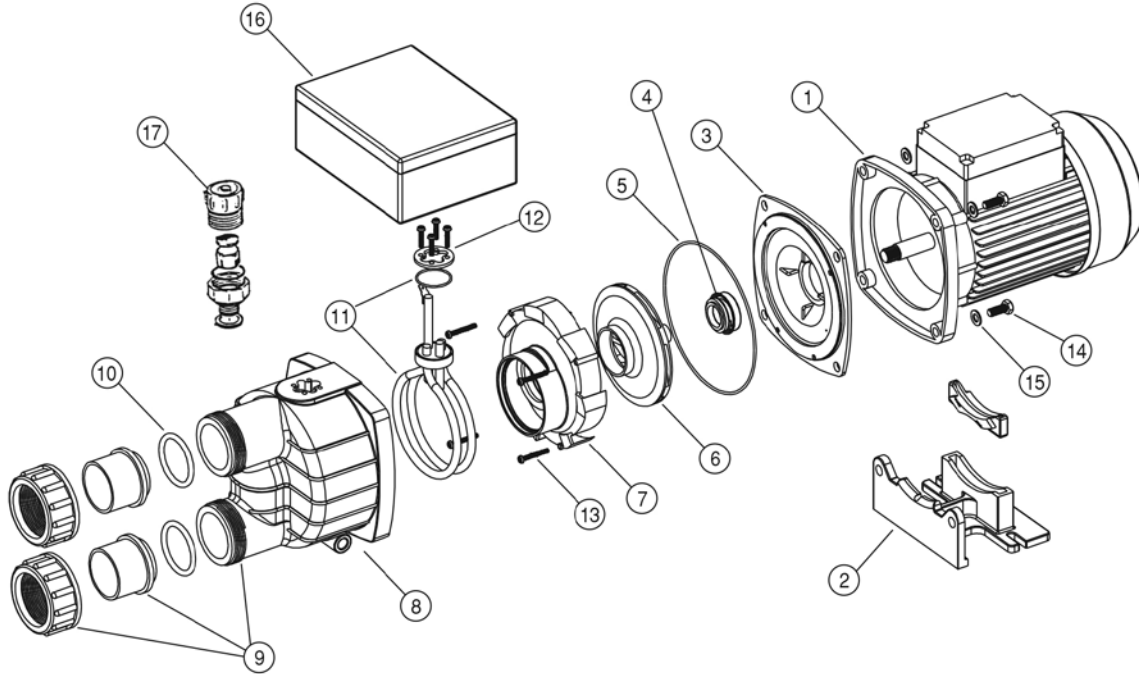
Part Number	Product Description	Diagram Number	List Price	Price Inc Gst
6307245	Motor 1.17kW	1	780.00	897.00
AXPU158	Pump foot	2	25.40	29.21
63506300	Adaptor plate	3	65.50	75.33
6340162	Mechanical Seal SS316	4	36.60	42.09
S1226911	O-ring pump body	5	8.50	9.78
635097	Impeller (4555140, 142, 144, 1490) for 10A	6	136.00	156.40
635099	Impeller (4555141, 143, 146, 148) for 15A	6	136.00	156.40
638153	Diffuser MK2	7	68.50	78.78
6381522	Pump body MK3 & MK4	8	203.00	233.45
122243B	Half Union 40mm c/w O-ring	9	10.80	12.42
64479	40mm union O-ring	10	4.40	5.06
636138684	Element 1.6KW MK3 Coated	11	315.00	362.25
636138694	Element 2.4KW MK3 Coated	11	320.00	368.00
63813920	O-ring element BS027 Nitrile 70	11	4.40	5.06
63813899	Profile washer S/S	12	45.70	52.56
63400832	Screw M4x32mm PT SS316	13	1.50	1.73
63401812	M8 multi pack bolts & washers		15.80	18.17
	4 x M8 x 30 Bolt	14		
	4 x M8 Washer	15		
6381617	Control Box MK3 (45551413, 45551403)	16	840.00	966.00
S138631	Lid Control box (suit 6381602/6381603)	16	18.60	21.39
6381450	Control box bottom MK3	16	15.80	18.17
6340040	Bolt M6x20 Hex Set SS316 (motor/foot)	n/s	2.90	3.34
64130032	Temperature Sensor MK2	n/s	110.00	126.50
6381620	Housing Assembly Temperature Sensor Mk2	n/s	9.70	11.16
638172	O/T Sensor Mk2	n/s	FALSE	0.00
6367237	Pressure switch	n/s	145.00	166.75
63813913	Air control switch	n/s	32.70	37.61
S1348415	Screw M4x20 Pan Head (element, 2 required)		1.00	1.15
634037	Screw M4x25 Pan Head Phillips 304 (element, 2 required)		1.10	1.27
S0972315	Washer Star 5/32 304 (element, 4 required)		3.10	3.57
S0889015	Washer (element, 2 required)		1.10	1.27
636138685	Lock Nut		16.40	18.86
6381610	Control Box MK3 & MK4 (45551413, 45551403, 45551404, 45551414)		640.00	736.00
6340410	L/Hand Screw M5X18 W/O'Ring		28.80	33.12



# DELTA HOT PUMP MK2

Product Code: 2466010, 2466020

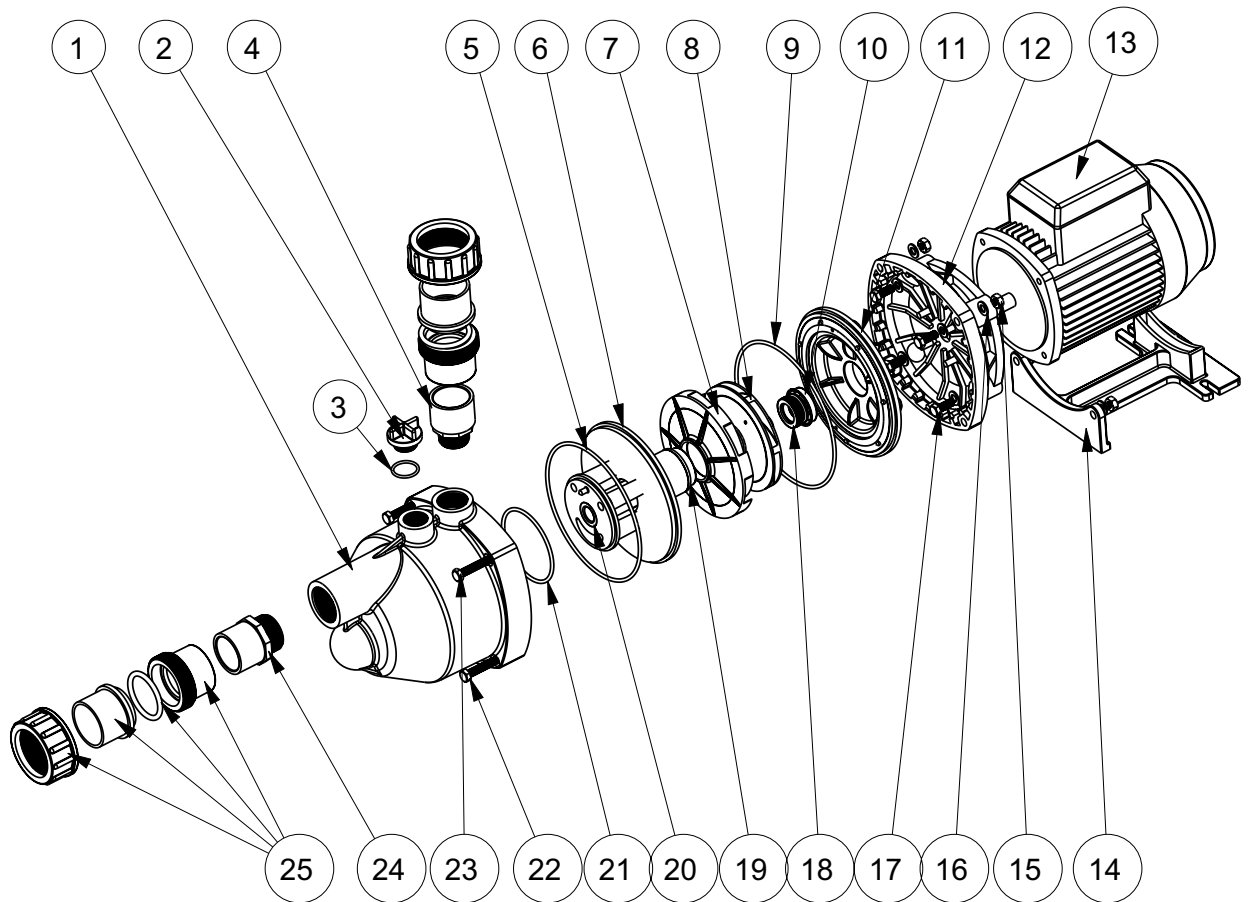
Part Number	Product Description	Diagram Number	List Price	Price Inc Gst
6307245	Motor 1.17kW	1	780.00	897.00
AXPU158	Pump foot	2	25.40	29.21
63506300	Adaptor plate	3	65.50	75.33
6340162	Mechanical Seal SS316	4	36.60	42.09
S1226911	O-ring pump body	5	8.50	9.78
635096	Impeller (Delta Hot 50)	6	136.00	156.40
635097	Impeller (Delta Hot 75)	6	136.00	156.40
638153	Diffuser Mk2	7	68.50	78.78
6381520	Pump Body Delta Hot Mk2	8	227.00	261.05
122243B	Half Union 40mm c/w O-ring	9	10.80	12.42
64479	40mm union O-ring	10	4.40	5.06
636138684	Element 1.6KW MK3 Coated	11	315.00	362.25
63813920	O-ring element BS027 Nitrile 70	11	4.40	5.06
63813899	Profile washer S/S	12	45.70	52.56
63400832	Screw M4x32mm PT SS316	13	1.50	1.73
63401812	M8 multi pack bolts & washers		15.80	18.17
	4 x M8 x 30 Bolt	14		
	4 x M8 Washer	15		
S138621	Bottom Control box	16	38.20	43.93
S138631	Lid Control Box	16	18.60	21.39
S13841A	Air release valve	17	70.50	81.08
6367237	Pressure switch	n/s	145.00	166.75
S12811	Switch Air latch	n/s	176.00	202.40
S13591A	Thermostat assembly	n/s	239.00	274.85
6340040	Bolt M6x20 Hex Set SS316 (motor/foot)	n/s	2.90	3.34
S1348415	Screw M4x20 Pan Head (element, 2 required)		1.00	1.15
634037	Screw M4x25 Pan Head Phillips 304 (element, 2 required)		1.10	1.27
S0972315	Washer Star 5/32 304 (element, 4 required)		3.10	3.57
S0889015	Washer (element, 2 required)		1.10	1.27



# WATERCO PRESSURE PUMP - SWEEPMASTER

Product Code: 246803, 2468030

Part Number	Product Description	Diagram Number	List Price	Price Inc Gst
1222412	Barrel union 40mm black (Sweepmaster 150)	25	20.80	23.92
S1118511	Priming cap o ring	3	4.30	4.95
S120901	Priming cap	2	18.30	21.05
S1204611	O-ring (injector assy) large	5	5.70	6.56
S0614511	O-ring (injector assy) small	19	4.30	4.95
S12863A2	Impeller for pressure pump 2002 and sweepmaster 150 (6360274L/6340275E/6340275F)	8	166.00	190.90
63024	NUT 8MM	15	18.30	21.05
S128341	Adaptor plate	11	92.00	105.80
S120741	Diffuser	7	47.90	55.09
S1081211	Pump body O-ring	9	5.70	6.56
S12049A	Injector assy	6	182.00	209.30
S1204511	O-ring (injector assy) medium	21	4.30	4.95
S108201	Nozzle	20	8.90	10.24
S116086	Pump face bolt	23	5.70	6.56
S12165E1	Pump face	1	282.00	324.30
12243	Male valve adaptor 40x25mm	4	14.10	16.22
12244	Male valve adaptor 40x32mm	24	21.60	24.84
6356001	Motor bracket	12	54.00	62.10
6350730	Pump foot Mk2	14	23.50	27.03
63021	M8X60 Hexset SS304	22	13.90	15.99
S0855919	Mating face	18	15.60	17.94
63401830	Bolt M8 x 20 (4 required)	17	1.90	2.19
6302180	M8 Washer (8 required)	16	1.40	1.61
6340275F	Motor 71F 1500WSTD A14 (150, 200)	13	1,150.00	1,322.50
S12148A	Mechanical Seal	10	65.50	75.33
12244 + 1222412	Inlet Fitting			
12243 + 1222412	Outlet Fitting			



# FINSBURY WATER PRESSURE SYSTEM

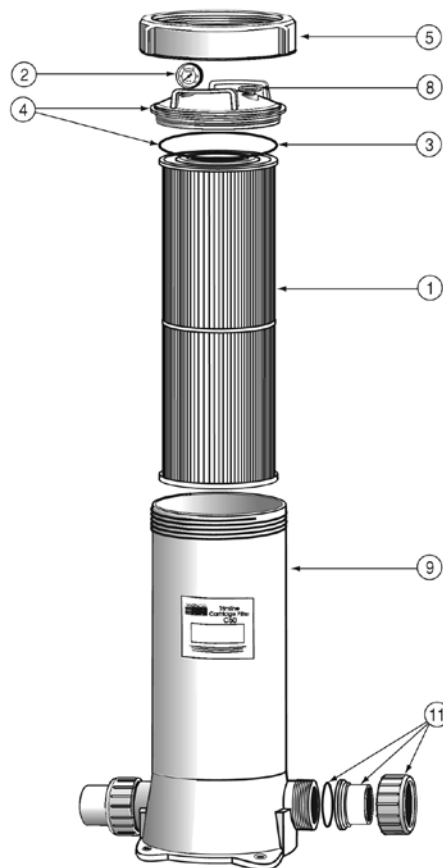
## FINSBURY MAINSFLO PUMP

Product Code: 242100, 242110, 242120, 242130, 249501, 2495051, 2495062

Part Number	Product Description	Diagram Number	List Price	Price Inc Gst
620225	Auto Pump Control	N/S	540.00	621.00
1222257	Barrel Union 25mm Brass Threaded	N/S	54.00	62.10
S1204611	O-ring 0.125 x 6.5 O.D.	6	5.70	6.56
S0614511	O-ring ID 1.75" x OD 2.0"	7	4.30	4.95
S12858A2	Impeller Mainsflo 48 (no longer available)	8		
S12856A2	Impeller Mainsflo 65 (no longer available)	8		
S12863A2	Impeller Mainsflo 90	8	166.00	190.90
6340162	Mechanical Assembly	9	36.60	42.09
63024	M8 Nut (4 required)	11	18.30	21.05
S128341	Adaptor Plate	14	92.00	105.80
S120741	Diffuser	15	47.90	55.09
S1081211	O-ring	16	5.70	6.56
S11532A	Injector Body Assy Mainsflo 48	17	132.00	151.80
S12049A	Injector Body Assy Mainsflo 87 & 90	17	182.00	209.30
S1204511	O-ring 0.125 x 3.5 OD	18	4.30	4.95
S108201	Nozzle (Mainsflo 90)	19	8.90	10.24
S1160815	Bolt M8 x 60 (2 required)	20	5.40	6.21
S12165E1	Nose	21	282.00	324.30
S120901	Cap Priming (no longer available)	22	18.30	21.05
S1118511	O-ring Primer Cap (no longer available)	23	4.30	4.95
6340275F	Motot 71Frames 1500W 7252 STD-A14 8/99		1,150.00	1,322.50
6350730	S/M Pump Foot 2 (Not Shown) (no longer available)	30	23.50	27.03
6356001	S/M Motor Bracket	31	54.00	62.10
S116086	Bolt M8 x 55 (2 required)		5.70	6.56
63401830	Bolt M8 x 20 (4 required)		1.90	2.19
6302180	M8 Washer (8 required)		1.40	1.61

# TRIMLINE CARTRIDGE

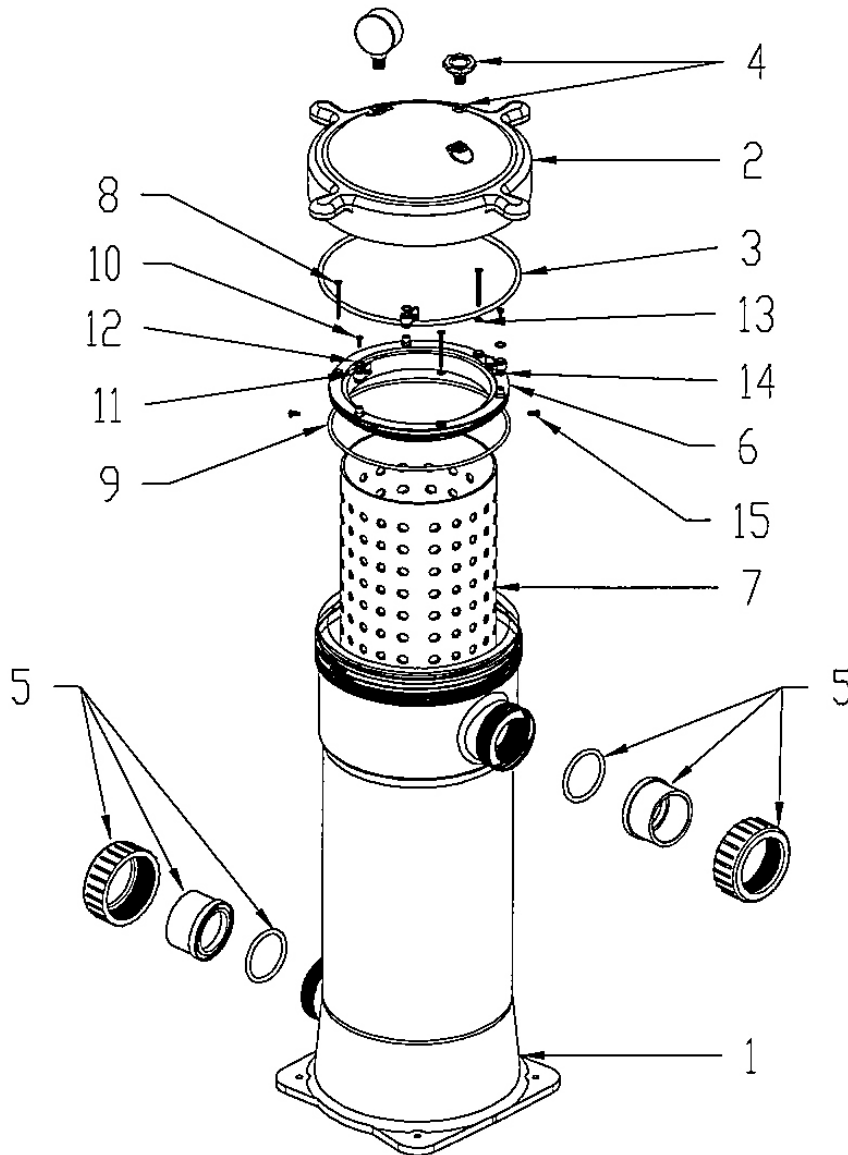
Part Number	Product Description	Diagram Number	List Price	Price Inc Gst
62040	Cartridge C25	1	109.00	125.35
62042	Cartridge C50	1	159.00	182.85
62048	Cartridge CC50	1	155.00	178.25
62044	Cartridge C75	1	197.00	226.55
62049	Cartridge CC75	1	242.00	278.30
62050	Cartridge CC100	1	234.00	269.10
62109	Pressure gauge back mount dry	2	43.10	49.57
62161	Pressure gauge bottom mount dry	2	44.40	51.06
62026	Lid O-ring MKIII	3	18.20	20.93
62025	Lid c/w O-ring MK3 (OD 214mm)	4	149.00	171.35
620260	Lid O-ring Mk3 BS369 Viton	3	36.30	41.75
62024	Lock ring MK3 (5 threads)	5	67.50	77.63
620221	Air release valve MK2	8	13.80	15.87
620193	O-ring air release valve		4.30	4.95
6201931	O ring air release valve BS112 Viton		5.70	6.56
620671	C25 MK3 tank (W02541PEW)	9	380.00	437.00
620691	C50/CC75 MK3 tank (W02543PEW)	9	540.00	621.00
620681	CC50 compact MK3 tank (W02542PEW)	9	480.00	552.00
620711	C75/CC100 MK3 tank (W02544PEW)	9	760.00	874.00
122243B	40mm half union (C100/CC150 only) (W02544PEW)	11	10.80	12.42
122257BLK	40/50mm half union MK3 (POST 2001)	11	26.20	30.13
620342	O-ring half union BS332 Viton	11	11.20	12.88
620245	Spanner 8" Lock Ring		18.20	20.93
620251	Trimline Lid MK3 (No O-ring)		95.00	109.25
62026	O-ring for Lid MK3		18.20	20.93



# LEAF TRAPPER

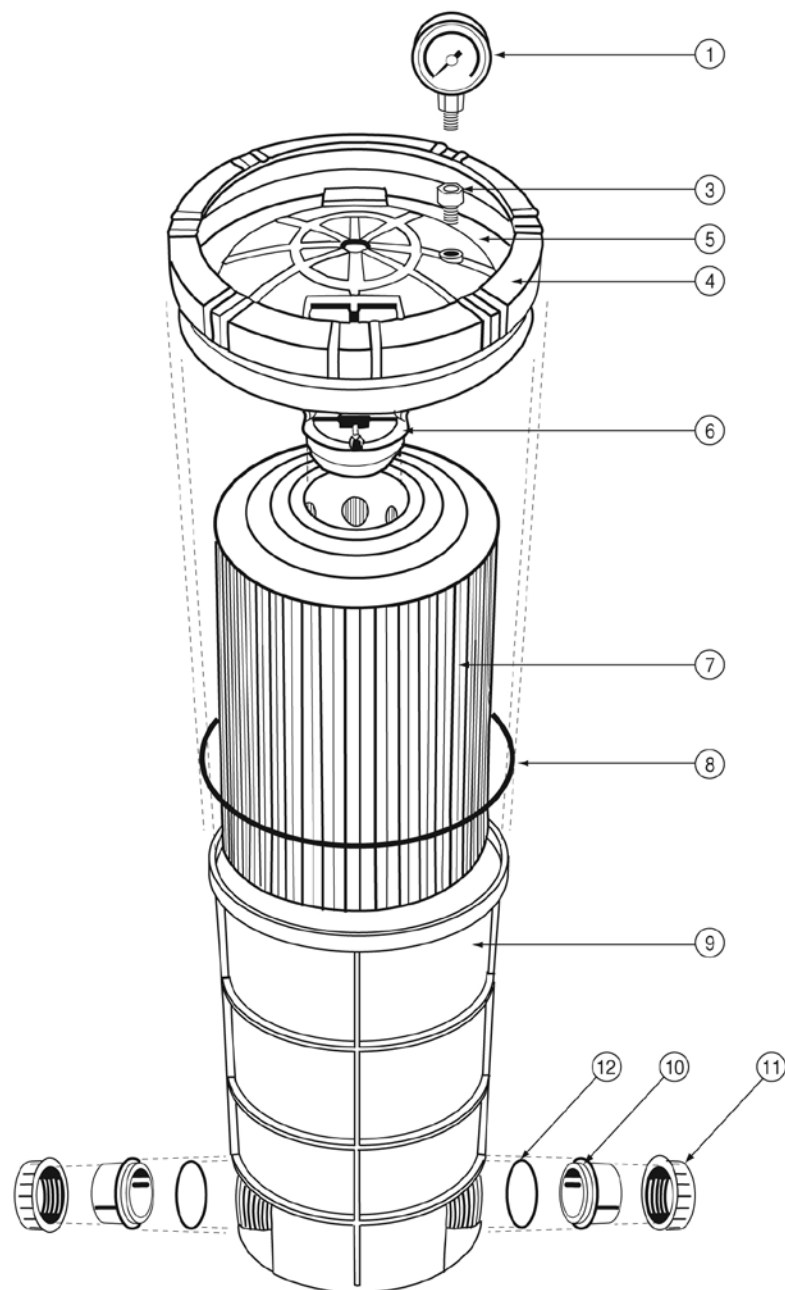
Product Code: 3761053

Part Number	Product Description	Diagram Number	List Price	Price Inc Gst
62044131	T/Line Bag Housing C50 W/Ext.Thread Port Only	1	610.00	701.50
62044170	T/Line Bag Housing Lid Clear	2	142.00	163.30
620262	O-ring G220	3	19.60	22.54
634024BLK	Air Release Valve - Black Clear	4		
634024B	Half Union with O Ring - 50mm (2 required)	5	25.80	29.67
620342	O-ring half union BS332 Viton	5	11.20	12.88
620245	O-ring	5	18.20	20.93
3651947	Cage Ring	6	430.00	494.50
3651946	Support Cage Filter Bag	7	325.00	373.75
620292	Screw 10G X 2" CSK SS316 for TBF Cage Ring	8	6.10	7.02
620293	O-ring 205 X 4 For TBF Cage Ring	9	24.50	28.18
6340087	Screw PT#8 13MM S/S 316 For UWL	10	0.50	0.58
620291	Latch For TBF Cage Ring	11	1.10	1.27
620294	Washer 3/16X1/2X20Flat SS316 TBF Cage Ring	12	1.60	1.84
82444204	O-ring BS 010	13	4.30	4.95
82444205	O-ring BS 011	14	4.30	4.95
63814277	4+AC9	15	17.00	19.55



# PARAMOUNT OPAL CARTRIDGE 2.0 Bar

Part Number	Product Description	Diagram Number	List Price	Price Inc Gst
621625	Pressure gauge dry 60psi/400kPa bottom mount	1		
621632	Liquid Filled Pressure Gauge Bottom Mount 400kPa	1		
620221	Air Release Valve - Black	3	13.80	15.87
AXFI0100	Opal tank lock ring	4	115.00	132.25
AXFI0081	Tank lid (62027 - O-ring)	5/6	93.50	107.53
701032	110 sq ft Cartridge	7	295.00	339.25
701034	150 sq ft Cartridge	7	425.00	488.75
701038	180 sq ft Cartridge	7	485.00	557.75
AXFI012	Filter Tank 2.0 bar (no longer available)	9	590.00	678.50
AXFI014	Union tail	10	11.60	13.34
AXFI016	Union lock ring	11	25.80	29.67
AXFI018	Union O-ring	12	4.30	4.95
8223501	Cartridge Filter Top Adaptor PP	6	21.00	24.15
62027	O-ring (291.47 X 6.99)	8	18.10	20.82

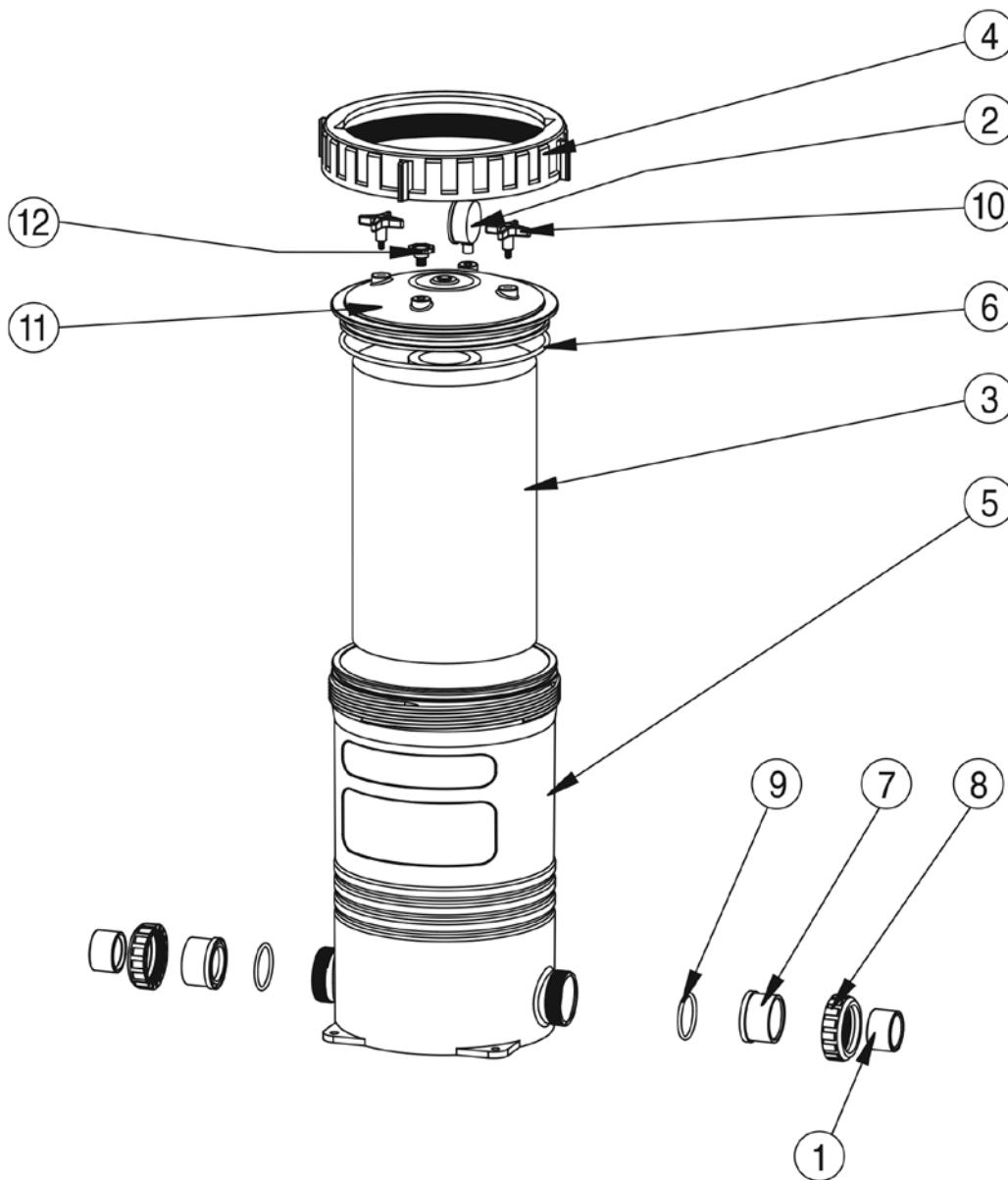




# OPAL CARTRIDGE FILTER

(217120, 2171200, 2171350, 217150, 2171500, 217180, 2171500)

Part Number	Product Description	Diagram Number	List Price	Price Inc Gst
12555BLK	Reducing bush 50 x 40mm Black	1	8.20	9.43
621632	Liquid Filled Pressure Gauge Bottom Mount 400kPa	2	FALSE	0.00
701033	Filter cartridge 120 sqft	3	320.00	368.00
701039	Filter cartridge 135 sqft	3	390.00	448.50
701034	Filter cartridge 150 sqft	3	425.00	488.75
701038	Filter cartridge 180 sqft	3	485.00	557.75
AXFI0102	Opal Lock Ring Filter 2.5Bar	4	99.00	113.85
AXFI0122	Opal Tank with Drain Plug 2.5Bar Pewter	5	480.00	552.00
AXFI014	Opal black union tail	7	11.60	13.34
AXFI016	Opal black lock ring	8	25.80	29.67
AXFI018	Opal union O-ring	9	4.30	4.95
AXFI168	Opal handle knob	10	5.10	5.87
AXFI0082	Opal lid only (5mm smaller in diameter that AXFI081) (pere Sept 2008)	11	209.00	240.35
AXFI0083	Opal lid only machined 3 bar with knob	11		
620221	Air relief valve	12	13.80	15.87
620271	Lid O-ring P280 (279.5 X 8.4) - suit 3.5 bar tank	6	30.70	35.31
62027	O-ring (291.47 X 6.99) suits 2.5bar Lid/Tank	6	18.10	20.82

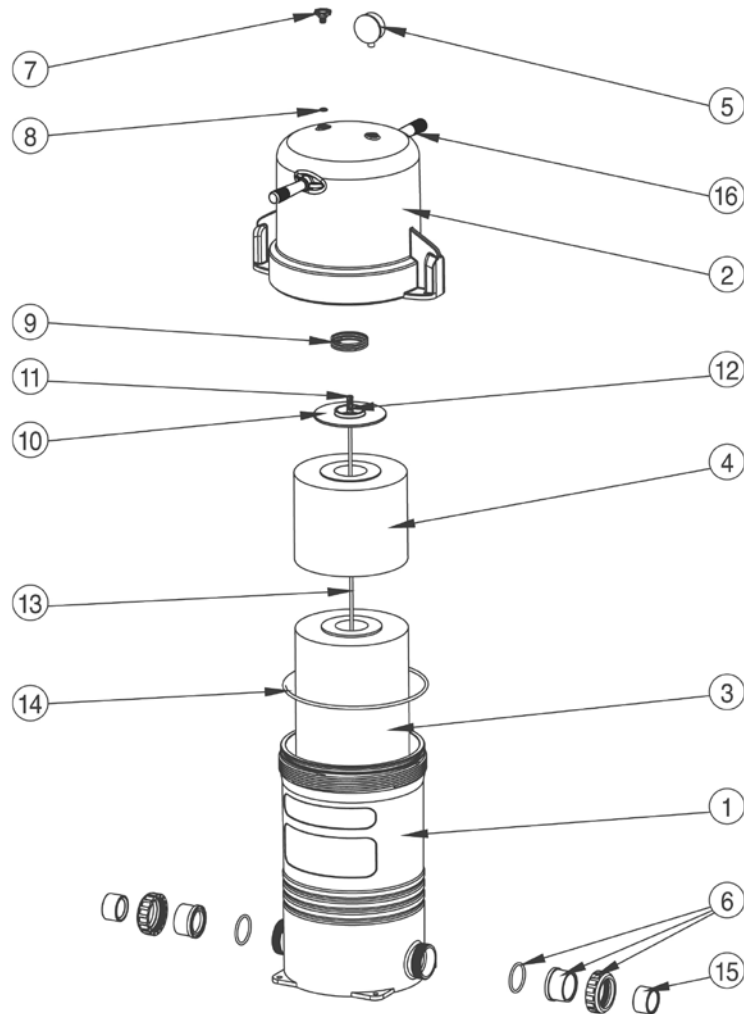


Specification	AXFI0083 (W22103)	AXFI0082 (W22030)
O Ring Groove Width	9.10 + 30.10mm	7.70 + 0.20mm
O Ring Groove Depth	5.25 + 0.10/-0.15mm	4.10 + 30.10mm
Lid OD	304.70 + 0.40/-0.20mm	304.70 + 0.40/-0.20mm

# OPAL XL CARTRIDGE

Product Code: 217270 & 217225

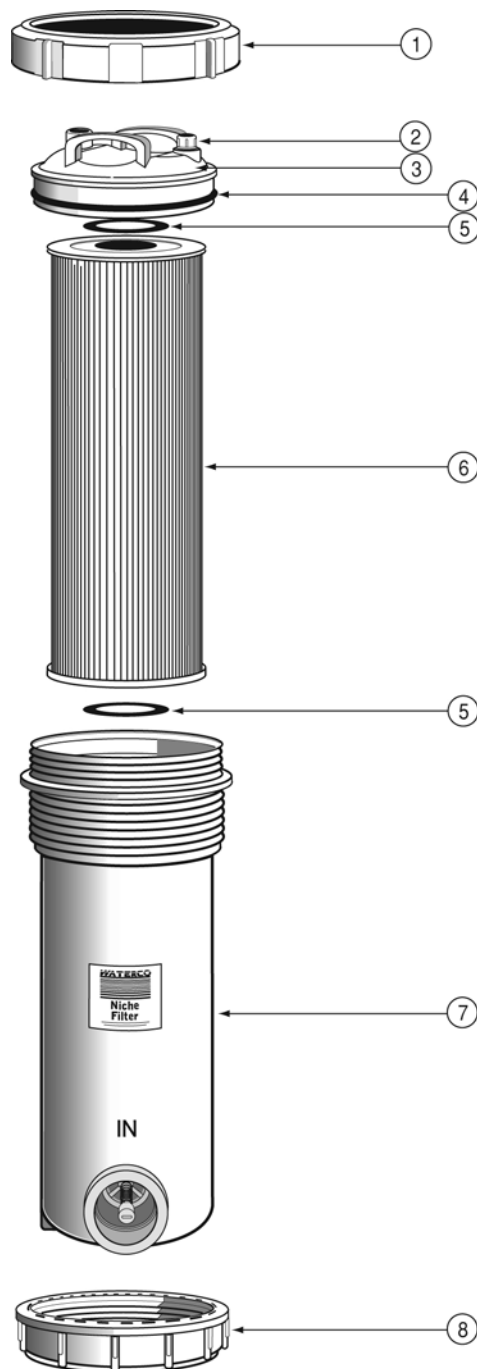
Part Number	Product Description	Diagram Number	List Price	Price Inc Gst
621632	Liquid Filled Pressure Gauge Bottom Mount 400kPa	5	FALSE	0.00
620221	Air relief valve	7	13.80	15.87
AXFI0085	Opal Top Housing 225	2	430.00	494.50
AXFI0087	Opal Top Housing 270	2	560.00	644.00
AXFI0089	Opal Spring 225/270	9	193.00	221.95
86172	Gulfstream plug (2 required)	12	0.70	0.81
620223	Air relief tube screen	11	10.30	11.85
814008	Air Bleed Opal 600mm	13	8.00	9.20
8223502	Opal Cartridge Top Adaptor	10	21.00	24.15
701039	Opal Cartridge Element 135 sq ft		390.00	448.50
701038	Opal Cartridge Element 180 sq ft	3	485.00	557.75
701040	Opal Cartridge Element 225 sq ft		650.00	747.50
701041	Opal Cartridge Element 90 sq ft	4	256.00	294.40
701041 + 701038	Opal Cartridge Element 270 sq ft	4 + 3		
61216	Opal Element Joiner		24.20	27.83
AXFI0121	Opal Tank PP Pewter (Tank Only)	1	500.00	575.00
AXFI0122	Opal Tank PP Pewter w/Drain Plug 2.5 Bar	1	480.00	552.00
6202720	O'Ring B454 60 Shore a EPDM Teflon Coated	14	106.00	121.90
AXFI014	Opal black union tail (2 required)	6	11.60	13.34
AXFI016	Opal black lock ring (2 required)	6	25.80	29.67
AXFI018	Opal union o'ring (2 required)	6	4.30	4.95
12555BLK	Reducing Bush 50 x 40mm Black	15	8.20	9.43
132303	Plumbing Kit Opal Skid with Hydrotuf		199.00	228.85
132304	Plumbing Kit Opal Skid with Hydrotuf & Multicyclone		199.00	228.85
6202321	Handles, Opal Lid/12" + 16" lockring (2 req'd)	16	32.50	37.38



# WATERCO TOP LOAD

(Product Code: 4555250, 4555275)

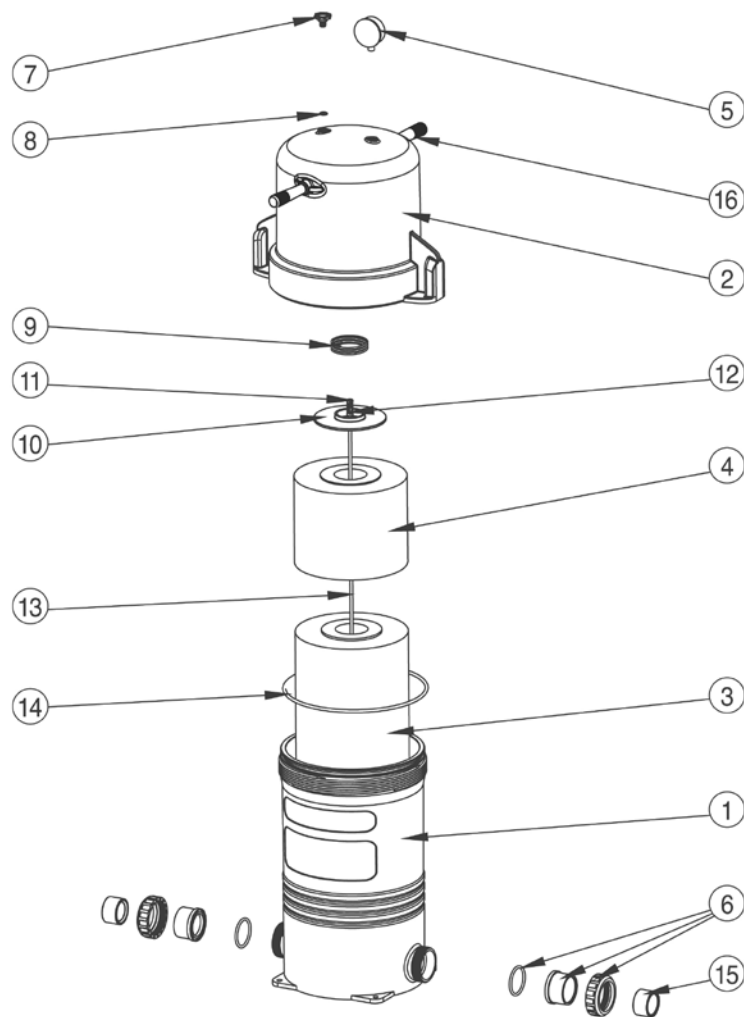
Part Number	Product Description	Diagram Number	List Price	Price Inc Gst
61209	Lid lock ring	1	71.00	81.65
61206	Air release valve	2	11.70	13.46
61207	Air release O-ring		6.10	7.02
61205	Lid	3	51.50	59.23
61208	Lid O-ring	4	21.40	24.61
61213	Spacer ring	5	8.70	10.01
62010	50sq ft cartridge	6	165.00	189.75
62009	75sq ft cartridge	6	192.00	220.80
61210	Top load filter tank only 50sq ft	7	168.00	193.20
61211	Top load 75 tank only	7		
61212	Body lock ring	8	44.90	51.64



# WATERCO SLIMLINE CC25 FILTER

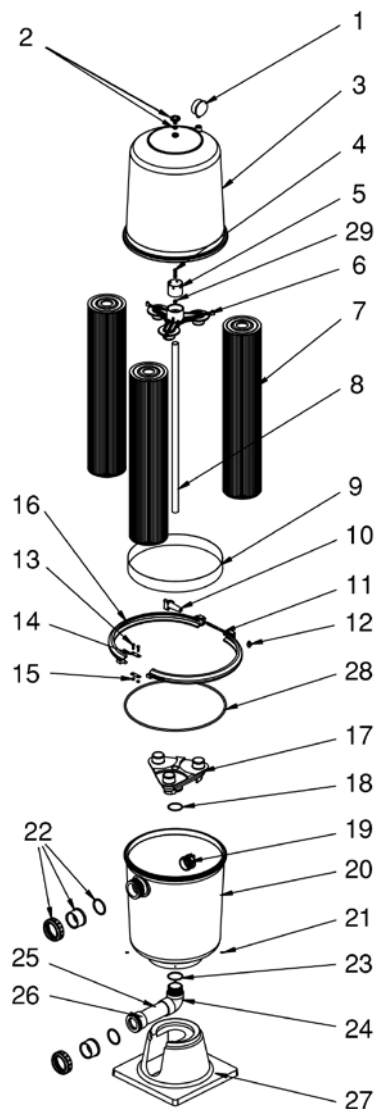
(For product codes: 4555251)

Part Number	Product Description	Diagram Number	List Price	Price Inc Gst
620240	Slimline lock ring	1		
620250	Lid Slimline Filter	2		
62051	CC25 Cartidge element 30 micron	3	127.00	146.05
620510	CC25 Cartidge element 5 micron	3	156.00	179.40
61206	Air release valve	4	11.70	13.46
61207	Air release O-ring	5	6.10	7.02
61208	Lid O-ring	6	21.40	24.61
621637	Pressure gauge bottom mount 800kPa	8		0.00
634086	Tool bar	9	18.30	21.05



# FULFO TRI CARTRIDGE FILTER

Part Number	Product Description	Diagram Number	List Price	Price Inc Gst
621632	Liquid Filled Pressure Gauge Bottom Mount 400kPa	1		
620221	Air Release Valve	2	13.80	15.87
62233	Tank top ultra high dome - grey	3	670.00	770.50
620223	Air Relief Tube Screen	4	10.30	11.85
6220701	Tri Cartridge Manifold Adaptor (top)	6	23.40	26.91
622810	Cartridge Element - TC 300 (3 required)	7	340.00	391.00
622820	Cartridge Element - TC 400 (3 required)	7	430.00	494.50
622830	Cartridge Element - TC 500 (3 required)	7	480.00	552.00
62202	Clamp Ring Assy	16	550.00	632.50
621057	S/S Inner Band	9	119.00	136.85
622195	Knob	10	26.20	30.13
622201	M8X100 S/S Stud	11	31.10	35.77
622202	Brass Lug	12	14.70	16.91
6220700	Manifold - Tri Cartridge (bottom)	17	80.50	92.58
6220702	O Ring - 55x3.3mm	18	9.80	11.27
62268	Inlet Baffle - 50mm	19	30.40	34.96
8223431	Tank Bottom Pewter colour	20	405.00	465.75
634024B	Half Union 50mm W/O'Ring (2 required) - Black	22	25.80	29.67
823319	90° Screwed Elbow O'Ring (40mm Port)	23	4.30	4.95
6204148	Outlet Pipe Assembly	23/24/25/26	74.00	85.10
8223451	Fulflo Bottom Elbow 50mm Black	25	34.90	40.14
62228	P/P Support Base	27	220.00	253.00
62250	Tank Body O Ring	28	37.60	43.24
85251	Gulfstream Plug	29	180.00	207.00

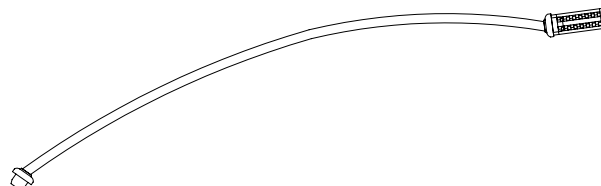


# FULFLO SPARES - ASTRA D.E.

Part Number	Product Description	Diagram Number	List Price	Price Inc Gst
62231	Tank Top Low Dome - P2016	1	292.00	335.80
62232	Tank Top High Dome (Grey) P2027,31	1	530.00	609.50
62233	Tank Top Ultra High Dome - P2036,48	1	670.00	770.50
620221	Air Release Valve c/w O Ring	2	13.80	15.87
62202	P2145 Clamp Ring Assy (c/w Knob, Bolt, Lug)	3	550.00	632.50
62203	P2153 Nally Tank Clamp Knob, Bolt, Lug	3	108.00	124.20
62250	P9109 Tank Body O Ring	4	37.60	43.24
62228	Polypropylene Support	5	220.00	253.00
62236	P2517 Inner Band (Grey Tank)	6	168.00	193.20
622361	Inner Band (Tank Brown)	6	168.00	193.20
822315	Tank Body Ultra Bottom-P2016,27,31,36 Grey (not interchangeable with br tank)	7	450.00	517.50
822343	Tank Body Ultra Bottom-P2048 Grey (not interchangeable with br tank)	7	760.00	874.00
62109	Pressure Gauge Back Mount 40OpKa	8	43.10	49.57
62161	Pressure Gauge Bottom Mount	8	44.40	51.06
64479	Union O Ring (post 3/98)	10	4.40	5.06
6340241	Union O ring 50mm P2027 - 48 (BS332)	10	5.80	6.67
62205	P2123 Union Adapter Assy	11	75.00	86.25
S1348011	O'Ring BS226	12	4.30	4.95
822327	90 Deg Elbow Union - P2016,27,31	13	61.50	70.73
62206	P2124 90 Deg Elbow Union Assy P2036,48	13	136.00	156.40
62209	P2146 Complete Septum - P2027,31 (w/manifold)	14	920.00	1,058.00
62210	P2157 Complete Septum - P2036 (w/manifold)	14	1,050.00	1,207.50
62211	P2206 Complet Septum - P2048 (w/manifold)	14	1,300.00	1,495.00
62207	P2126 Manifold Assembly	15	161.00	185.15
62216	P2147 - 150 Filter Grid - P2027,31 - 450 long 2 per Filter	16	196.00	225.40
62217	P2148 - 250 Filter Grid - P2027,31 - 450 long 2 per Filter	17	235.00	270.25
62218	P2149 - 250 Offset Filter Grid - P2027, 31 - 450 long 2 per Filter	18	235.00	270.25
62219	P2150 - 310 Filter Grid - P2027,31 - 450 long 4 per Filter	19	262.00	301.30
62220	P2158 - 150 Filter Grid - P2036 - 630 long 2 per Filter	16	200.00	230.00
62221	P2160 - 250 Filter Grid - P2036 - 630 long 2 per Filter	17	238.00	273.70
62222	P2162 - 250 Offset Filter Grid - P2036 - 630 long 2 per Filter	18	238.00	273.70
62223	P2164 - 310 Filter Grid - P2036 - 630 long 4 per Filter	19	273.00	313.95
62224	P2210 - 150 Filter Grid - P2048 - 810 long 2 per Filter	16	310.00	356.50
62225	P2214 - 250 Filter Grid - P2048 - 810 long 2 per Filter	17	420.00	483.00
62226	P2211 - 250 Offset Filter Grid - P2048 - 810 long 2 per Filter	18	420.00	483.00
62227	P2213 - 310 Filter Grid - P2048 - 810 long 4 per Filter	19	435.00	500.25
62234	P2337 Clamp Plate	20	197.00	226.55
62238	P2521 Tie Rod - P2027,31	21	76.00	87.40
62239	P2538 Tie Rod - P2036	21	83.00	95.45
62240	P2545 Tie Rod - P2048	21	92.00	105.80
122243B	Half Barrel Union (post 03/98)	23	10.80	12.42
634024B	Half Union 50mm W/O'Ring (2 required) - Black	23	25.80	29.67
823318	90 Degree Elbow Threaded 40mm	24	22.40	25.76
6204148	Outlet Pipe Assembly	24, 25	74.00	85.10
823319	90 Degree Elbow O Ring	25	4.30	4.95
62248	P9125 Adapter O Ring each end of elbow		4.30	4.95
622291	P2027/31 KIT Grey Top & Bottom & Clamp & Inner Band & Knob		1,200.00	1,380.00
622301	P2048 KIT Grey Top & Bottom & Clamp & Inner Band & Knob		1,450.00	1,667.50
622195	Knob W/M8 Brass Nut Insert		26.20	30.13

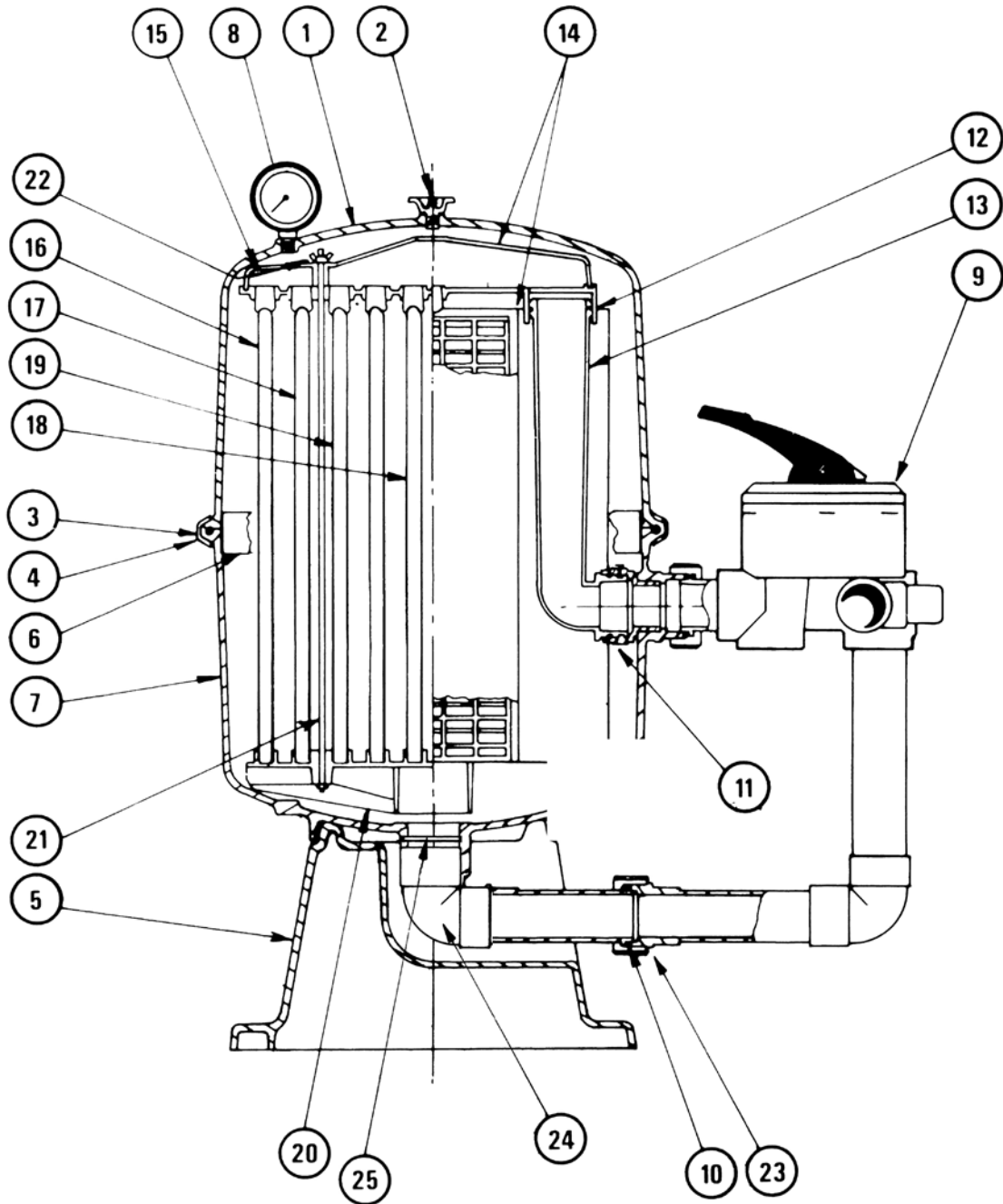
# FULFLO SPARES - AIR BLEED ASSEMBLY

Part Number	Product Description	Diagram Number	List Price	Price Inc Gst
6202201	Air Bleed Kits for Fulflo Filters	1	16.20	18.63



# FULFLO SPARES - ASTRA D.E. (continue)

Tank Port Size	Model	Code MPV c/w Plumbing Kit	Connection	
			Tank	MPV
50MM	P2027	2390495	top - male bottom - male	top - female bottom - female
	P2036	23905832		
	P2048	23905932		

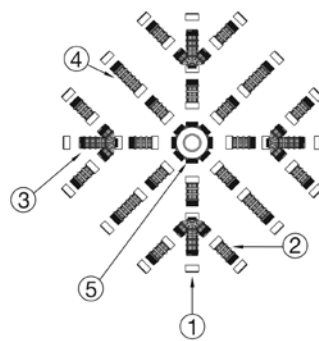
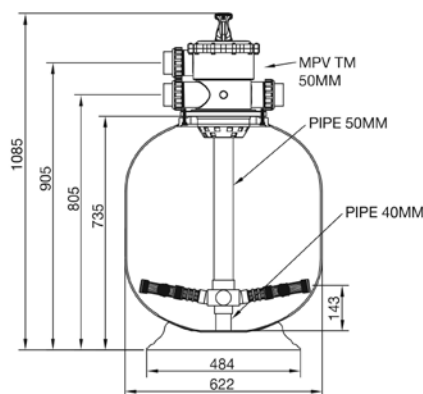


# MICRON / THERMOPLASTIC / HYDRON COMMON PARTS

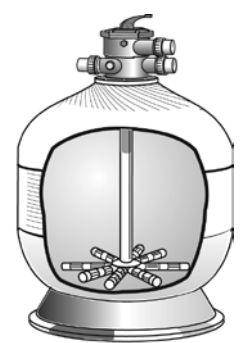
Part Number	Product Description	Diagram Number	List Price	Price Inc Gst
6209227	Lateral Extension Arm Assembly Long (4 required for S602)	3	19.20	22.08
6209226	Lateral Extension Arm Assembly - Short	3	16.40	18.86
620892	Manifold Threaded 40mm		95.50	109.83
620893	Manifold Threaded 50mm	5	96.50	110.98
620921	Lateral Threaded 75mm	2	9.10	10.47
620922	Lateral Threaded 110mm	4	10.40	11.96
620923	Lateral Threaded 145mm		13.80	15.87
620924	Lateral Threaded 200mm		17.30	19.90
620925	Lateral Threaded Cap (16 required for S602)	1	6.10	7.02
6209251	Lateral Threaded Plug		6.10	7.02
62100	Valve Neck O Ring (Suits 40mm MPV)		8.50	9.78
62101	Micron Valve Gasket (50mm)		98.00	112.70
62102	Micron S/S Dome Nut & Washer (Set of 12)		123.00	141.45
62161	Pressure Gauge Bottom Mount 250kPa		44.40	51.06
621621	Pressure Gauge 100mm Bottom Mount 600 kPa		260.00	299.00
621630	Pressure Gauge Back Mount (Oil Filled) 400kPa		43.10	49.57
621632	Pressure Gauge Bottom Mount (Oil Filled) 400kPa		FALSE	0.00
122243B	40mm Half Union		10.80	12.42
64479	40mm Union O Ring		4.40	5.06
634024B	Half Union 50mm W/O'Ring (2 required) - Black		25.80	29.67
6340241	50mm Union O Ring		5.80	6.67
635092	Barrel Union Nut 50mm - Blue		15.40	17.71
6340803	80mm Half Union (Black) with O Ring		76.50	87.98
6302550	80mm Half Union O Ring		5.70	6.56
6209304	Drain Plug 25mm Complete (S600 Premium)			

## T Filters - Clamp Band Type

620892	Manifold Threaded 40mm	95.50	109.83
620921	Lateral Threaded 75mm (8 required for T400, 16 for S602)	9.10	10.47
620922	Lateral Threaded 110mm (8 required for T450, T500, 4 for S602)	10.40	11.96
620923	Lateral Threaded 145mm (8 required for T600)	13.80	15.87
620925	Lateral Threaded Cap (8 required for each model)	6.10	7.02
6226010	Clamp Band 6" Kit	76.00	87.40
62109	Pressure Gauge Back Mount 400pKa	43.10	49.57
622604	Locater 40mm 6" Clamp	9.10	10.47
620269	O Ring 185 x 4mm (Valve to Tank O'Ring)	16.90	19.44



**CLAMP BAND  
THERMOPLASTIC FILTER**



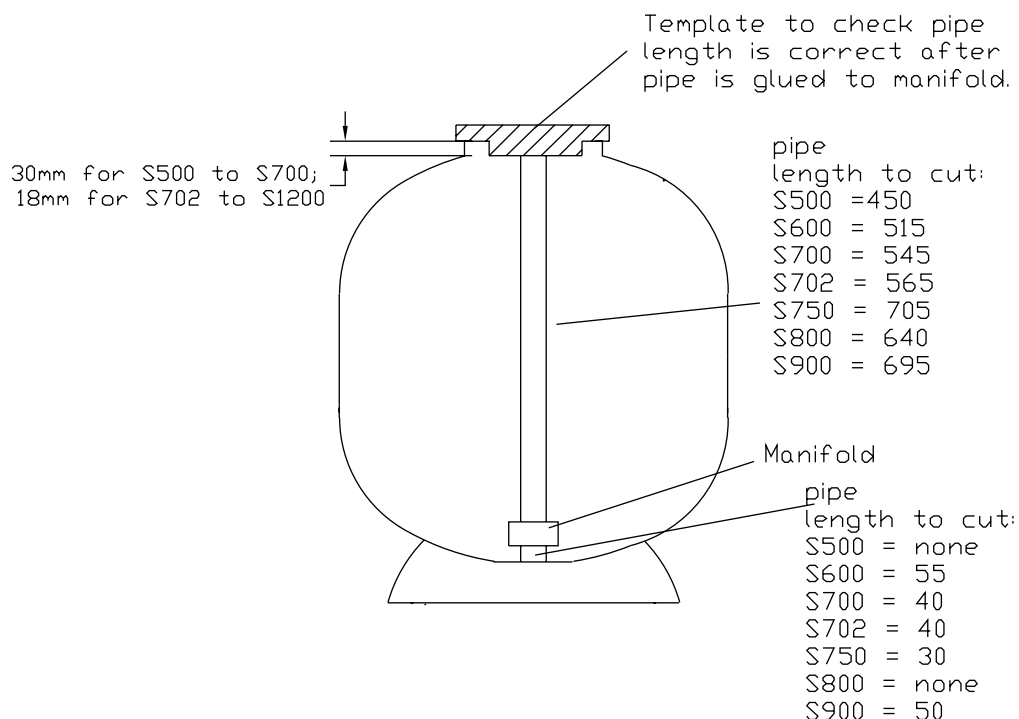
**MICRON SAND FILTER**



# MICRON / THERMOPLASTIC / HYDRON COMMON PARTS (continue)

Part No:		620892	620893	620921	620922	620923	620924	620925	6209226	6209227
Model		Manifold 40mm	Manifold 50mm	Lateral 75mm	Lateral 110mm	Lateral 145mm	Lateral 200mm	Lateral End Cap Nut	Extension Arm Assy Short	Extension Arm Assy Long
S500	Eco	1		8	4			16		4
S600	Eco	1		16	4			16		4
S602	Eco		1	16	4			16		4
S700	Eco	1		16			4	16	4	
S702	Eco		1	16			4	16	4	
S750	Eco		1	8	12	4		16	4	
S800	Eco		1	8	12	4		16	4	
S900	Eco		1	4	8	12		16	4	
E600 Plus SM	Eco	1		12		4		16	4	
E602 Plus SM	Eco		1	12		4		16	4	
E702 Plus SM	Eco		1	12			4	16		4
E600 Plus TM	Eco	1		12		4		16	4	
E602 Plus TM	Eco		1	12		4		16	4	
E702 Plus TM	Eco		1	12			4	16		4

Part No:		620892	620893	620921	620922	620923	620924	620925		
Model		Manifold 40mm	Manifold 50mm	Lateral 75mm	Lateral 110mm	Lateral 145mm	Lateral 200mm	Lateral End Cap Nut		
T400	Std	1		8				8		
T450	Std	1			8			8		
T500	Std	1			8			8		
T600	Std	1				8		8		
Clamp type T400	Std	1		8				8		
Clamp type T450	Std	1			8			8		
Clamp type T500	Std	1			8			8		
Clamp type T600	Std	1				8		8		
E500	Std	1								
E600	Std	1								
S500	Std	1			8			8		
S600	Std	1		8	8			8		
S700/F700	Std	1					8	8		
S702/F702	Std		1				8	8		
S750	Std		1	8		8		8		
S800	Std		1	8		8		8		
S900	Std		1			16		8		

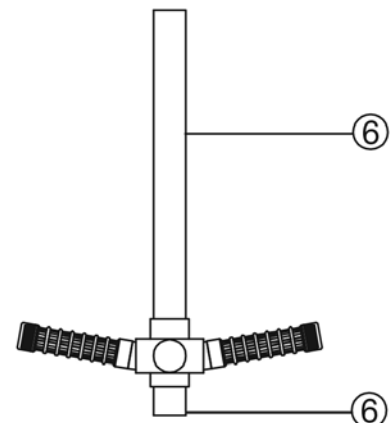
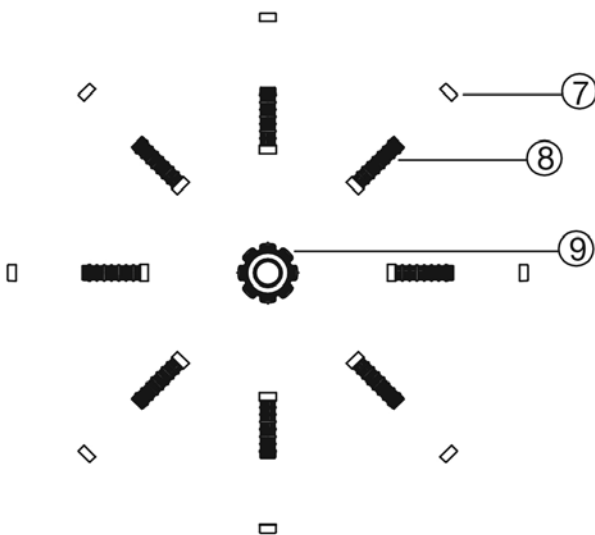
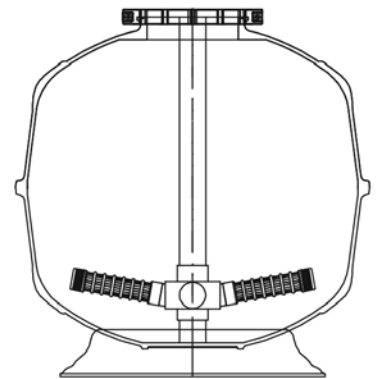
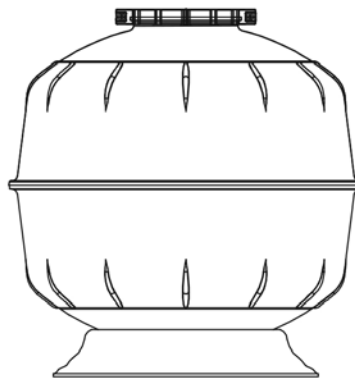
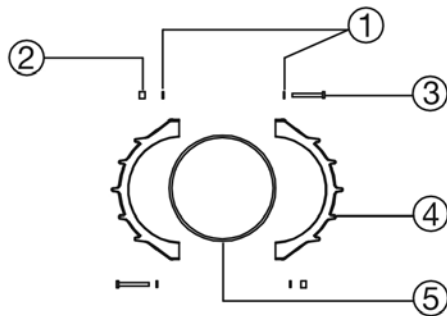


# EXOTUF E500/E600/E602/E702 TM FILTER/EXOTUF PLUS/SM

TM - Product code: 22602460, 22602480, 22602490, 22602990

SM - Product code: 22602430, 22602440, 22602940

Part Number	Product Description	Diagram Number	List Price	Price Inc Gst
S002946	Spring Washer 1/4X1/2X18G SS304	1	1.50	1.73
622602	Square Nut M6 x 10mm SS304	2	17.30	19.90
622203	M8 x 60 S/Head Cap Screw SS (W12611)		5.80	6.67
621373	Bolt M5 X 55 Pan Head SS304	3	3.70	4.26
6202691	O Ring 180 X 4.5mm (E500) (Valve to Tank, Clamp MPV)	5	9.80	11.27
620269	O Ring 185x4mm (suits E400) (Valve to Tank, Clamp MPV)	5	16.90	19.44
6226010	Clamp Band 6" (E600 onwards Kit)	1/2/3/4/5	76.00	87.40
622590	Clamp Band 6" MK11 (Kit)	1/2/3/4/5	89.50	102.93
6220209	Clamp Band 8" MK11 (Kit)	1/2/3/4/5	140.00	161.00
620925	Lateral End Cap Nut PP (8 required)	7	6.10	7.02
620923	Lateral 145mm PP (8 required)	8	13.80	15.87
620892	Manifold 40mm	9	95.50	109.83
62109	Pressure Gauge Back Mount 400kPa	N/S	43.10	49.57
6202692	O'Ring 198 X 4.5mm (Valve to Tank, Clamp MPV)		11.30	13.00
2260246	E600 EXOTUF FILTER CLAMP TYPE TANK ONLY		940.00	1,081.00
62092911	Lid 8" Neck Clamp Type Exotuf Plus		100.00	115.00
622590	ClampBand		89.50	102.93
620893	Micron Manifold THD 50mm		96.50	110.98
6226010	Clamp Band 6" Kit E400 Filters	1/2/3/4/5	76.00	87.40

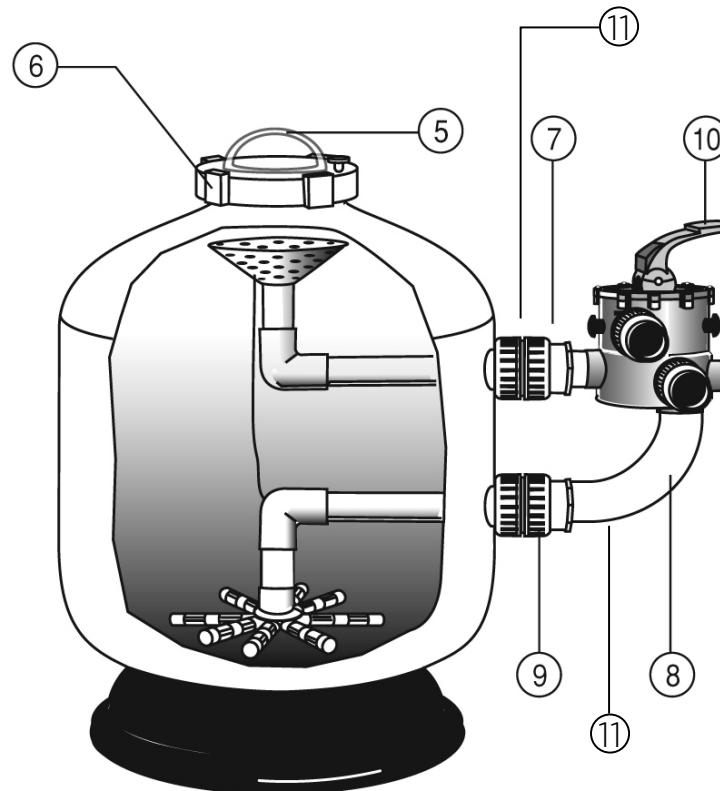


PLAN VIEW

SIDE VIEW

# MICRON SIDE MOUNT SAND FILTER

Part Number	Product Description	Diagram Number	List Price	Price Inc Gst
620221	Air Release Valve	1	13.80	15.87
620940	SM Water Diffuser (Funnel)	4	64.00	73.60
6209291	SM 8" Clear Lid (O ring not included)	5	115.00	132.25
1222400	Bulkhead Assembly 40mm	11	17.10	19.67
62026	SM Top Lid O Ring 8" (O ring not included)	n/s	18.20	20.93
6209443	O Ring Oval Lid 4 Stud	n/s	26.90	30.94
62024	T/Line Locking Ring 52MM High	6	67.50	77.63
121551	Threaded Fitting 40mm for Sweep Elbow	7	5.50	6.33
121556	Threaded Fitting 50mm for Sweep Elbow	7	8.20	9.43
121550	Threaded Sweep Elbow 40mm	8	9.80	11.27
121555	Threaded Sweep Elbow 50mm	8	11.10	12.77
630320	40mm Half Union Nut (only)	9	14.40	16.56
6340248	H/Union 40mm W/GF PP Nut	9	26.00	29.90
64479	Barrel Union O Ring 40mm	n/s	4.40	5.06
6340242B	Barrel Union Nut 50mm	9	11.00	12.65
6340241	Barrel Union O Ring 50mm	n/s	5.80	6.67
6209302	Drain Plug 15mm (up to and including SM900 with 50mm Ports)		58.00	66.70
6209303	Drain plug 40mm (SM900 with 80mm Ports and SM1050 and up)	n/s	FALSE	0.00
620936	Drain Plug Assembly Connector 1" BSPT		123.00	141.45
620927	2" (50mm) Bulk Head		78.50	90.28
122282	3" (80mm) Bulk Head		76.00	87.40
121558	Sweep elbow kit 40mm	8	40.80	46.92
121559	Sweep elbow kit 50mm	8	55.00	63.25
2290421	MPV Body SM 40mm SF male/female BSP	10	350.00	402.50
2290512	Multiport Valve 50mm	10	500.00	575.00
620220	Air Relief Repair Kit		141.00	162.15



# MICRON SIDE MOUNT SAND FILTER (continue)

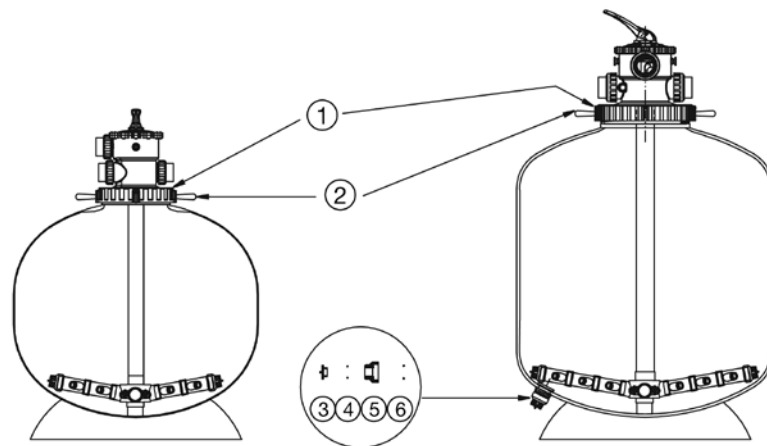
Part No:		620892	620893	620921	620922	620923	620924	620925	6209251	6208931	6208932	6208933
Model		Manifold 40mm	Manifold 50mm	Lateral 75mm	Lateral 110mm	Lateral 145mm	Lateral 200mm	Lateral End Cap Nut	Lateral Cap Nut (Male)	HRZ Cross Tee	HRZ LCT Extension 48	HRZ LCT Extension 48 End Cap
SM500	Std	1				8		8				
SM600 40mm port	Std	1		8	8			8				
SM600 50mm port	Std		1	8	8			8				
SM700	Std		1				8	8				
SM750	Std		1	8		8		8				
SM800	Std		1		8	8		8				
SM900	Std		1	8			8	8				
SM900 80mm port	Std			4	22	4	2	36	4	2	8	4

Part No:		620892	620893	620921	620922	620923	620924	620925	6209226	6209227		
Model		Manifold 40mm	Manifold 50mm	Lateral 75mm	Lateral 110mm	Lateral 145mm	Lateral 200mm	Lateral End Cap Nut	Extension Arm Assy Short	Extension Arm Assy Long		
SM500	Eco	1		12		4		16	4			
SM600 40mm port	Eco	1		16	4			16		4		
SM600 50mm port	Eco											
SM700	Eco	1		8	4		4	16		4		
SM750	Eco		1	8	12	4		16	4			
SM800	Eco		1		20	4		16	4			
SM900	Eco		1	8		12	4	16	4			
SM900 80mm port	Eco											

# TOP MOUNT FILTER TANKS Also AQUASWIM tank Filament Wound

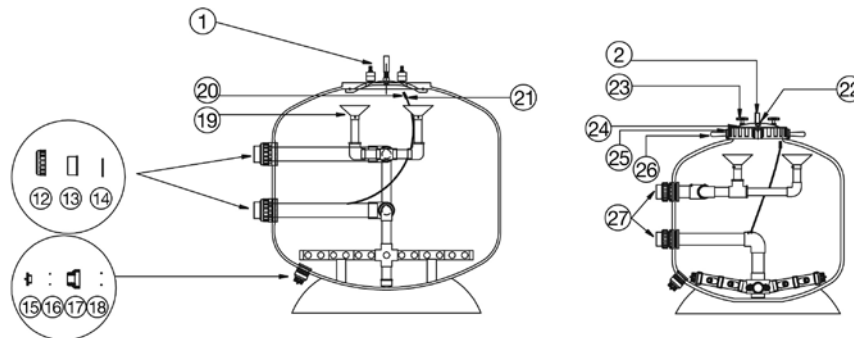
Part Number	Product Description	Diagram Number	List Price	Price Inc Gst
<b>FILAMENT WOUND TOP MOUNT</b>				
220124	S600 Tank inc Base & Eco Under Drain Assembly		1,150.00	1,322.50
220126251	S602 Tank inc Base & Eco Under Drain Assembly -		1,250.00	1,437.50
220129	S702 Tank inc Base & Eco Under Drain Assembly		1,500.00	1,725.00
220130	S750 Tank inc Base & Eco Under Drain Assembly		1,850.00	2,127.50
220132	S800 Tank inc Base & Eco Under Drain Assembly		2,200.00	2,530.00
220136	S900 Tank inc Base & Eco Under Drain Assembly		2,950.00	3,392.50
2201420	S1050 Tank inc Base & Under Drain Assembly (65mm)		5,300.00	6,095.00
2201480	S1200 Tank inc Base & Under Drain Assembly (65mm)		5,900.00	6,785.00
22048801	S1200 Tank inc Base & Under Drain Assembly (80mm)		7,500.00	8,625.00
220148161	S1200E 16" Tank inc Base & Under Drain Assembly (80mm)		7,600.00	8,740.00
NOTE: Aquaswim (Tank same as Waterco)				
<b>THERMOPLASTIC FILTER TANK ONLY - CLAMP TYPE</b>				
2260165	T400 Filter Tank Only - Clamp Type		465.00	534.75
2260185	T450 Filter Tank Only - Clamp Type		540.00	621.00
<b>TOP MOUNT COMMERCIAL S1050/S1200</b>				
620232	Lock ring 12" for S1050/S1200 65mm valve	1	465.00	534.75
6202321	Screwed handle for lock ring 12" / 16"	2	32.50	37.38
6209303	Drain Plug (40mm)	3/4/5/6	FALSE	0.00
620221	Air relief valve		13.80	15.87
621632	Liquid Filled Pressure Gauge Bottom Mount 400kPa		FALSE	0.00
6208920	65mm Manifold Socket		52.00	59.80
2260206	E500G Exotuf Clamp Type - Tank Only		680.00	782.00
2260246	E600 Exotuf Filter Clamp Type - Tank Only		940.00	1,081.00
2260248	Exotuf Plus E600 Clamp Type - Tank Only		990.00	1,138.50
2260249	Exotuf Plus E602 8" Clamp Type - Tank Only		1,100.00	1,265.00
2260299	Exotuf Plus E702 8" Clamp - Tank Only		1,200.00	1,380.00
22000824	Micron SM600 8" Neck - Tank Only		1,500.00	1,725.00
22000830	Micron SM750E 8" Neck - Tank Only		2,450.00	2,817.50
22000836	Micron SM900E 8" Neck - Tank Only		3,700.00	4,255.00



Part No:		620921	620922	620923	620924	620925	6209251	6208931	6208932	6208933	6200912	6209254	6209255
Model	Manifold	LATERALS				Lateral End Cap Nut	Lateral End Plug (male)	Hrz Cross Tee	Hrz LCT Extension	Hrz LCT End Cap	Extension Arm	Cap Body	Cap Nut
		75mm	110mm	145mm	200mm								
S1050	50mm	-	8	-	8	8	-	-	-	-	-	-	-
S1050 w 65mm MPV	65mm	-	12	-	12	20	-	-	-	-	8	4	4
S1200	50mm	-	-	8	8	8	-	-	-	-	-	-	-
S1200 w 65mm MPV	65mm	8	-	12	12	20	-	-	-	-	8	4	4
S1200 with 80mm MPV (Praher Valve)	-	8	8	20	6	32	4	2	8	4	-	-	-
S1200 with 80mm MPV (Waterco Valve)	80mm	12	4	20	12	28	-	-	-	-	12	4	4
S1400 with 80mm MPV (Waterco Valve)	80mm	8	8	28	24	28	-	-	-	-	12	4	4

# MICRON SIDE MOUNT COMMERCIAL FILTERS

Part Number	Product Description	Diagram Number	List Price	Price Inc Gst
6209440	Man Hole Cover 4 Stud Complete	1	2,950.00	3,392.50
621621	Pressure Gauge Dry 600KPA/90PSI Bottom Mount	2	260.00	299.00
6340939	Hex Nut M16 (4 required)	3	4.90	5.64
6340937	Washer M16 S/S304 (8 required)	4	3.00	3.45
6209430	Lid Yoke Lacron (2 required)	5	300.00	345.00
6209443	O Ring Manhole Cover Oval 4 Stud - Waterco	7	26.90	30.94
6209442	Manhole Cover Only Oval 4 Stud - Waterco	9	1,150.00	1,322.50
6340412	O Ring BS113 (4 required)	10	4.20	4.83
634024B	Half Union 50mm W/O'Ring (2 required) - Black	12/13	25.80	29.67
6340803	80mm Half Union Black (2 required)	12/13	76.50	87.98
6340801	100mm Half Union Black (2 required)	12/13	132.00	151.80
6302550	O Ring B/U 80mm	14	5.70	6.56
6302553	O Ring B/U 100mm	14	9.80	11.27
6209303	Drain Plug complete 40mm	15/16/17/18	100.47	115.55
620940	Funnel For Port Size 3" & 4" (80mm & 100mm) (4 required)	19	64.00	73.60
620223	Air Relief Tube Screen	20	10.30	11.85
6202200	Air Relief Kit MK2		136.00	156.40
86172	Gulfstream Plug (only 2 required)	21	0.70	0.81
620221	Air Relief Valve	22	13.80	15.87
AXFI168	Knob & Bolt (opal)		5.10	5.87
63450502	Lid 12"	24	146.00	167.90
62027	O'ring 12" Neck (Lid)		18.10	20.82
6209291	Lid 8" Clear		115.00	132.25
62026	O Ring BS369 Silicone T/L Lid MK3		18.20	20.93
62024BLK	Lock Ring 52mm		58.50	67.28
620233	Lid 16"		530.00	609.50
620232	Lock Ring 12"	25	465.00	534.75
6202321	Screwed handle for 12" lock ring (4 required)	26	32.50	37.38
63406565B	Half union 65mm c/w O ring (2 required)	27	42.70	49.11
620233	Filter Lid 16"		530.00	609.50
6209293	Lock Ring 16"		680.00	782.00
6211031	Lid O ring 16"		92.00	105.80
620927	Bulkhead Assembly 50mm Black		78.50	90.28
12226500	Bulkhead Assembly 65mm Black		73.50	84.53
122282	Bulkhead 80mm		76.00	87.40
6208921	80mm Manifold		47.60	54.74
6208920	Manifold Socket 65mm		52.00	59.80



Part No:	Model	Manifold	620921	620922	620923	620924	620925	6209251	6208931	6208932	6208933	6200912	W02269BLK	W02270BLK
			LATERALS				Lateral End Cap Nut	Lateral End Plug (male)	Hzr Cross Tee	Hzr LCT Extension	Hzr LCT End Cap	Extension Arm	Cap Body	Cap Nut
			75mm	110mm	145mm	200mm								
SM1050 65mm Port	65mm	8	16	-	12	20	-	-	-	-	-	8	4	4
SM1050	80mm	8	20	10	4	32	4	2	8	4	-	-	-	-
SM1200 65mm Port	65mm	16	4	20	12	28	-	-	-	-	-	12	4	4
SM1200	-	2	26	8	6	32	4	2	8	4	-	-	-	-
SM1400	-	8	8	36	14	48	4	2	12	4	-	-	-	-
SM1600 80mm Port	-	4	16	42	18	48	4	2	12	4	-	-	-	-
SM1600 100mm Port	-	10	22	22	38	-	60	-	-	-	-	-	-	-
SM1800	-	8	42	22	68	-	76	-	-	-	-	-	-	-
SM2000	-	2	52	20	74	-	80	-	-	-	-	-	-	-
SM2200 100mm Port	-	20	34	78	88	-	96	-	-	-	-	-	-	-
SM2200 150mm Port	-	64	34	30	88	-	96	-	-	-	-	-	-	-

# SD SERIES DEEP BED FILTER

Part Number	Product Description	Diagram Number	List Price	Price Inc Gst
22440251	Tank and Under Drain Assembly SD400		1,050.00	1,207.50
22450251	Tank and Under Drain Assembly SD500		1,150.00	1,322.50
22460251	Tank and Under Drain Assembly SD600		1,500.00	1,725.00
2247501	Tank and Under Drain Assembly SD750		2,600.00	2,990.00
621630	Pressure Gauge Back Mount (Oil Filled) 400kPa		43.10	49.57
621632	Pressure Gauge Bottom Mount (Oil Filled) 400kPa		50.40	58.00
620892	Manifold 40mm		95.50	109.83
620893	Manifold 50mm		96.50	110.98
620221	Air relief valve		13.80	15.87
6209293	Lock ring 16" for SD1200/SD1400 80mm valve	1	680.00	782.00
6202321	Screwed handle for lock ring 12"/16"	2	32.50	37.38
6209302	Drain Plug 15mm	3/4/5/6	58.00	66.70

## Manifold, Laterals & End Caps - 6" neck (Pre 2007)

Part Number	Product Description	Diagram Number	List Price	Price Inc Gst
	<b>SD400</b>		0.00	
620892	40mm Manifold		95.50	109.83
620921	75mm laterals threaded (8 required)		9.10	10.47
620925	End Cap - female (8 required)		6.10	7.02
	<b>SD500</b>			
620892	40mm Manifold		95.50	109.83
620922	110mm laterals threaded (8 required)		10.40	11.96
620925	End Cap - female (8 required)		6.10	7.02
	<b>SD600</b>			
620892	40mm Manifold		95.50	109.83
620921	75mm laterals threaded (8 required)		9.10	10.47
620922	110mm laterals threaded (8 required)		10.40	11.96
620925	End Cap - female (8 required)		6.10	7.02
	<b>SD750</b>			
620893	50mm Manifold		96.50	110.98
620921	75mm laterals threaded (8 required)		9.10	10.47
620923	145mm laterals threaded (8 required)		13.80	15.87
620925	End Cap - female (8 required)		6.10	7.02

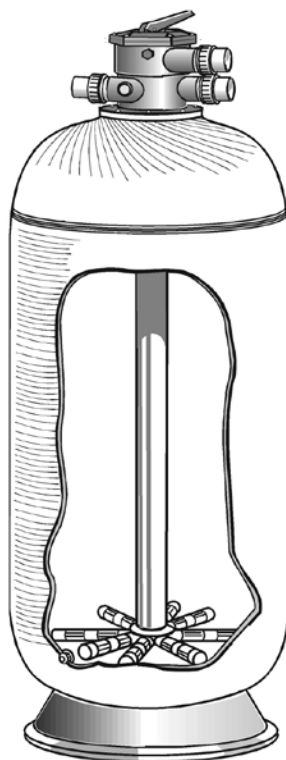
## Manifold, Laterals & End Caps - 4" neck

Part Number	Product Description	Diagram Number	List Price	Price Inc Gst
	<b>SD400 (year 2007)</b>			
6209211	Lateral straight (2 required)		7.30	8.40
6209221	Centre stem divertor (1 required)		8.80	10.12
6209250	Lateral socket (1 required)		10.20	11.73
6209231	Lateral locator (1 required)		5.10	5.87
	<b>SD400 (post Nov 2009)</b>			
620881	40mm Manifold hexagonal		96.00	110.40
6209224	120mm capped laterals (6 required)		6.40	7.36
	<b>SD500</b>			
620881	40mm Manifold hexagonal		96.00	110.40
6209218	40mm capped laterals (6 required)		3.70	4.26
6209224	120mm open laterals (6 required)		6.40	7.36
	<b>SD600</b>			
620881	40mm Manifold hexagonal		96.00	110.40
6209219	60mm capped laterals (6 required)		4.70	5.41
6209224	120mm open laterals (6 required)		6.40	7.36
	<b>SD750</b>			
620893	50mm Manifold threaded		96.50	110.98
620921	75mm laterals threaded (8 required)		9.10	10.47
620923	145mm laterals threaded (8 required)		13.80	15.87
620925	End Cap - female (8 required)		6.10	7.02
	<b>SD900</b>			
620893	50mm Manifold		96.50	110.98
620923	145mm laterals threaded (16 required)		13.80	15.87
620925	End Cap - female (8 required)		6.10	7.02

# SD SERIES DEEP BED FILTER (continue)

## Manifold, Laterals & End Caps - 4" neck (Continue)

Part Number	Product Description	Diagram Number	List Price	Price Inc Gst
<b>SD1200</b>				
<b>80mm Manifold</b>				
620921	75mm laterals threaded (12 required)		9.10	10.47
620922	110mm laterals threaded (4 required)		10.40	11.96
620923	145mm laterals threaded (20 required)		13.80	15.87
620924	200mm laterals threaded (12 required)		17.30	19.90
620925	End Cap - female (28 required)		6.10	7.02
6209307	Cap Body (4 required)		8.20	9.43
6209308	Cap Nut (4 required)		2.80	3.22
<b>SD1400</b>				
<b>80mm Manifold</b>				
620921	75mm laterals threaded (8 required)		9.10	10.47
620922	110mm laterals threaded (8 required)		10.40	11.96
620923	145mm laterals threaded (28 required)		13.80	15.87
620924	200mm laterals threaded (24 required)		17.30	19.90
620925	End Cap - female (28 required)		6.10	7.02
6209307	Cap Body (4 required)		8.20	9.43
6209308	Cap Nut (4 required)		2.80	3.22



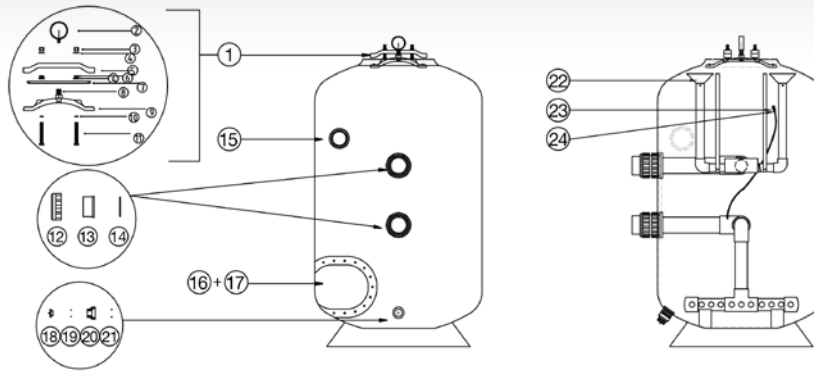
Part No:	Model	Manifold	620921	620922	620923	620924	620925	6209251	6208931	6208932	6208933
			LATERALS				Lateral End Cap (female)	Lateral End Plug (male)	HRZ Cross Tee	HRZ LCT Extension	HRZ LCT End Cap
			75mm	110mm	145mm	200mm					
SD400	40mm	40mm	8	-	-	-	8	-	-	-	-
SD500	40mm	40mm	-	8	-	-	8	-	-	-	-
SD600	40mm	40mm	8	8	-	-	8	-	-	-	-
SD750	50mm	50mm	8	-	8	-	8	-	-	-	-



# SMD / SMDD SIDE MOUNT DEEP BED FILTERS

Part Number	Product Description	Diagram Number	List Price	Price Inc Gst
621632	Pressure Gauge Bottom Mount (Oil Filled) 400kPa	2		
621621	Pressure Gauge Dry 600KPA/90PSI Bottom Mount	2	260.00	299.00
6340939	Hex Nut M16 (4 required)	3	4.90	5.64
6340937	Washer M16 S/S304 (8 required)	4	3.00	3.45
6209430	Lid Yoke Lacron (2 required)	5	300.00	345.00
W12324	Hex Thin Nut (4 required)	6		
6209443	O'Ring Oval Lid 4-Stud	7	26.90	30.94
W12724	S/S Screw 1" BSW Male 1/4" BSP Female Thread	8		
6209442	Manhole Cover Only Oval 4 Stud - Waterco	9	1,150.00	1,322.50
6340412	O Ring BS113 (4 required)	10	4.20	4.83
6340938	Hex Bolt N16X120MM (4 required)	11	20.80	23.92
620927	Bulkhead Assembly 50mm Black		78.50	90.28
634024B	Half Union 50mm W/O'Ring (2 required) - Black	12/13	25.80	29.67
12226500	Bulkhead Assembly 65mm Black		73.50	84.53
63406565B	Half union 65mm c/w O ring (2 required)		42.70	49.11
1222822	Bulkhead Assembly Black 80mm			
6340803	80mm Half Union Black (2 required)	12/13/14	76.50	87.98
12221000	Bulk Assembly 100mm		117.00	134.55
6340801	100mm Half Union Black (2 required)	12/13/14	132.00	151.80
6302550	O Ring B/U 80mm	14	5.70	6.56
6302553	O Ring B/U 100mm	14	9.80	11.27
62380	Sight Glass 3" Complete (Pre 2008)	15	890.00	1,023.50
623100	Sight Glass 100mm DIA		900.00	1,035.00
623150	Sight Glass 150mm Assembly		940.00	1,081.00
W12132	Sight Glass 3" Acrylic Cap (Pre 2008)	15		
6209470	Side Manhole Cover 18 Hole Oval	16	1,400.00	1,610.00
6209491	Side Hatch Round 200mm	16	780.00	897.00
6209471	Gasket for Side Manhole Oval 18 Hole	17	78.50	90.28
6209492	O Ring G210 for Side Hatch Round 200mm	17	14.00	16.10
6209302	Drain Plug complete 15mm	18/19/20	58.00	66.70
6209303	Drain Plug complete 40mm	18/19/20	FALSE	0.00
6209305	Drain Plug complete 50mm	18/19/20	149.00	171.35
620936	Drain Plug Assembly Connector 1" BSPT		123.00	141.45
64479	O Ring 40mm B/U EPDM	21	4.40	5.06
620940	Funnel For Port Size 3" & 4" (80mm & 100mm) (4 required) & 50mm	22	64.00	73.60
621013	Funnel for Port Size 6" (150mm) (4 required)	22		
620223	Air Relief Tube Screen	23	10.30	11.85
86172	Gulfstream Plug (2 required)	24	0.70	0.81
620951	Underdrain SMDD1600 (100mm port) threaded pipe 3'/endcap/tee (2pcs per set)		540.00	621.00
620228	2" Air Release Vlv Ari A-D-40L-50-P		1,100.00	1,265.00
620230	1" Air Release Vlv A.R.I. A-DG-10-25-P		305.00	350.75
620229	Lock Nut 1 1/2" BSP for easy Air Relief Outlet		21.10	24.27
6209242	Air Scour Lateral Pipe Slotted 250x0.2mm W/Cap&Skt			
6209476	M/hole Cover 420x320 18 holes W2" ARV Port, 18 holes		1,450.00	1,667.50
6209441	M/hole Cover 420x320 4Stud C/W 2" ARV Port, complete W Oring & Yokes		3,000.00	3,450.00
6209449	M/hole cover 410X305 4Stud 2" ARV Female BSP Port, Suit M16 Lifting Eye Nut - lid only		2,350.00	2,702.50
6209448	M/hole Cover 410X305MM 4Stud 1"ARV Female BSP Port, Suit M16 Lifting Eye Nut - lid only		2,350.00	2,702.50
620945	Hydron Commercial Man Hole Cover		4,100.00	4,715.00
6209450	Steel Clamp M/Hole Cover (W02186)		1,200.00	1,380.00
620946	Hydron Commercial Lid GSK		30.70	35.31
6202512	Lifting Eye Nut M16 to suit 6209448 and 6209449		28.80	33.12
6209440	M/hole Cover 420x320 4Stud Complete W Oring & Yokes		2,950.00	3,392.50
6209472	M/hole Cover 600x400 Complete w Oring & Yokes		3,100.00	3,565.00
63450502	Lid 12" Sia SM Commercial Filters		146.00	167.90
620232	Filter lock Ring 12"		465.00	534.75
6202321	Handle Opal XL Lid / 12 & 16" Lock ring		32.50	37.38
620233	Filter Lid 16"		530.00	609.50
6209293	Filter Lock Ring 16"		680.00	782.00
6211031	O ring 406.5 x 12.0mm		92.00	105.80
122282	Bulkhead 80mm		76.00	87.40
6209243	Lateral Pipe Slotted 110x0.2mm w/cap & skt		34.00	39.10
6209242	Lateral Pipe Slotted 250x0.2mm w/cap&skt		FALSE	0.00
6209244	Lateral Pipe Slotted 325x0.2mm w/cap & skt		65.50	75.33
6209496	Gasket 16 Hole Round 320mm L/MH			
<b>EASY AIR REACH BULKHEAD ASSEMBLY</b>				
62083022	3/4" BSP Plug			
72591213	O Ring BS213		4.30	4.95
620229	Locknut 1 1/2" BSP		21.10	24.27
62094711	Gasket 70x47.5x3mm		8.50	9.78
620852	Threaded Coupling			

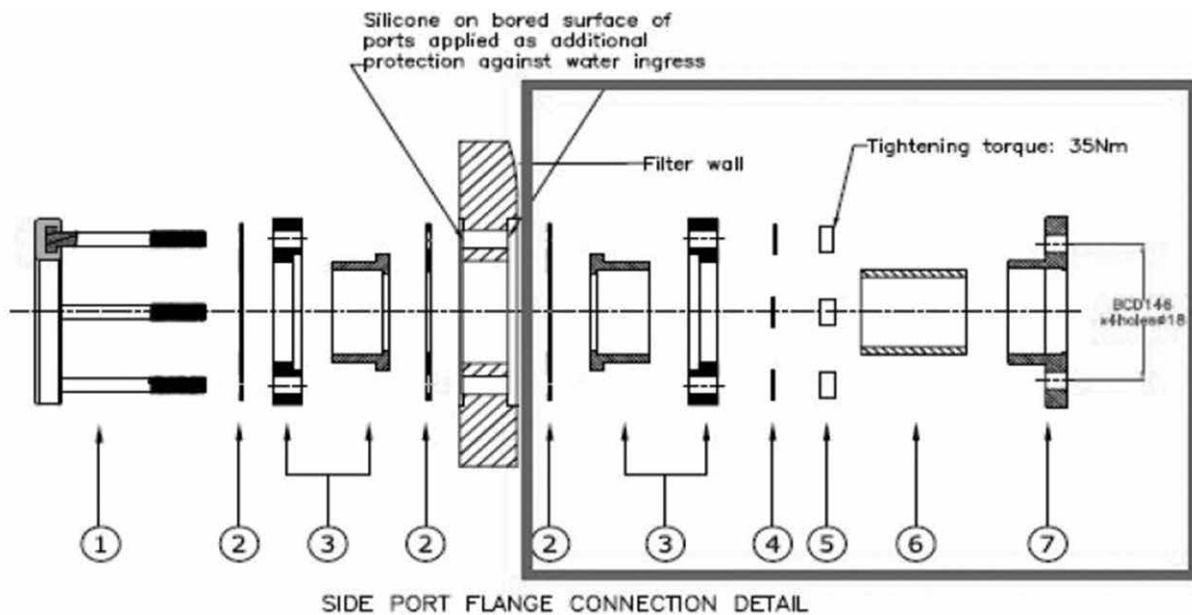
# SMD / SMDD SIDE MOUNT DEEP BED FILTERS (continue)



Part No:	Manifold	620921	620922	620923	620924	620925	6209251	6208931	6208932	6208933	6200912	#W02269BLK	#W02270BLK
		LATERALS				Lateral End Cap Nut	Lateral End Plug (male)	HRZ Cross Tee	HRZ LCT Extension	HRZ LCT End Cap	Extension Arm	Cap Body	Cap Nut
Model		75mm	110mm	145mm	200mm								
SMD/SMDD400	40mm	8	-	-	-	8	-	-	-	-	-		
SMD/SMDD500	40mm	-	-	8	-	8	-	-	-	-	-		
SMD/SMDD600	40mm	8	8	-	-	8	-	-	-	-	-		
SMD/SMDD750	50mm	8	-	8	-	8	-	-	-	-	-		
SMD/SMDD900 50mm Port	50mm	8	-	-	8	8	-	-	-	-	-		
SMD/SMDD900 80mm Port	-	4	22	4	2	36	4	2	8	4	-		
SMD/SMDD1050 50mm Port	50mm	-	8	8	-	8	-	-	-	-	-		
SMD/SMDD1050 65mm Port	65mm	8	16	-	12	20	-	-	-	-	8	4	4
SMD/SMDD1050 80mm Port	-	8	20	10	4	32	4	2	8	4	-		
SMD/SMDD1200 50mm Port	50mm	8	-	-	16	8	-	-	-	-	-		
SMD/SMDD1200 65mm Port	65mm	16	4	20	12	28	-	-	-	-	12	4	4
SMD/SMDD1200 80mm Port	-	2	26	8	6	32	4	2	8	4	-		
SMD/SMDD1200 80Port wLateral manhole#620947	-	3	6	25	6	32	4	2	8	4	-		
SMD/SMDD1200 100mm Port	-	4	4	4	36	-	48	-	-	-	-		
SMD/SMDD1400 80mm Port	-	8	8	36	14	48	4	2	12	4	-		
SMD/SMDD1400 100mm Port	-	10	8	12	32	-	52	-	-	-	-		
SMD/SMDD1600 80mm Port	-	4	16	42	18	48	4	2	12	4	-		
SMD/SMDD1600 100mm Port	-	10	22	22	38	-	60	-	-	-	-		
SMD/SMDD1600 150mm Port	-	18	8	80	14	-	68	-	-	-	-		
SMD/SMDD1800 100mm Port	-	8	42	22	68	-	76	-	-	-	-		
SMD/SMDD1800 150mm Port	-	46	4	22	68	-	76	-	-	-	-		
SMD/SMDD2000 100mm Port	-	2	52	20	74	-	80	-	-	-	-		
SMD/SMDD2000 150mm Port	-	22	54	30	68	-	80	-	-	-	-		
SMD/SMDD2000 150Port w Lateral manhole #620947	-	22	53	29	68	-	80	-	-	-	-		
SMDD2200 150mm Port	-	64	34	30	88	-	96	-	-	-	-		
SMD/SMDD2350 150mm Port	-	4	62	42	122	-	104	-	-	-	-		
SMD/SMDD2500 150mm Port	-	54	4	20	160	-	108	-	-	-	-		

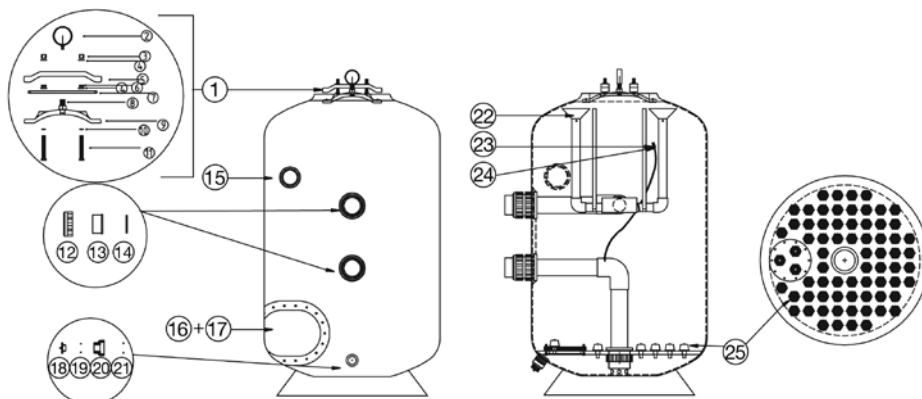
# FLANGE ASSEMBLY

Part Number	Product Description	Diagram Number	List Price	Price Inc Gst
1216804	Stud Ring 3" W/5/8"BSW Bolts	1	127.00	146.05
12161008	Stud Ring 4" Ansi W/5/8"BSW Bolts	1	244.00	280.60
1216252	Flange 250mm 10" SCH80 PVC Van Stone		1,350.00	1,552.50
1216250	Flange 250mm 10" Table E PVC		1,350.00	1,552.50
1115080	Pipe 6" x 6m ANSI SCH 80 Grey		920.00	1,058.00
11250121	Pipe 10" ANSI x 300mm Length		79.50	91.43
1216801	Flange Gasket 3"	2	20.00	23.00
63453063	Flange Gasket 4" ANSI	2	67.50	77.63
63453065	Flange gasket DN100 TB E, BS4504, PN16, PCD 178/180		60.00	69.00
12161506	Stub Flange 6" 150mm PVC Table E		620.00	713.00
1216803	PVC Stub Flange 3"	3	151.00	173.65
12161004	PVC Stub Flange 4" ANSI	3	191.00	219.65
12161501	Flange 150mm ANSI 6" PVC Sch80		390.00	448.50
1216802	Backing Ring 3"	3	80.50	92.58
12161006	Backing Ring 4" ANSI	3	99.50	114.43
12161502	PVC Backing Ring Drilled 6" ANSI		58.50	67.28
12162503	Backing Ring 10" ANSI PVC		188.00	216.20
63409370	Washer 5/8"x1 1/4"x14G M16 SS304 for 3" & 4"	4	1.90	2.19
63409372	Washer Flat M20 3mm Thk SS304		4.60	5.29
63409373	Washer 7/8"x2"x12G SS316		4.50	5.18
63409389	Nut Hex STD 5/8" SS304 for 3" & 4"	5	6.10	7.02
63409392	Nut Hex STD 3/4" SS304		9.20	10.58
63409393	Nut Hex 7/8" UNC SS316		13.50	15.53
121681	Flange 80mm AS2129 Table E	7	82.50	94.88
1216100	Flange PVC 100mm BS4504 PN16 ANSI	7	107.00	123.05
12161508	Flange Ring 6" ANSI w 8x3/4"BSW Studs		550.00	632.50
12162502	Flange Ring 10" ANSI w 12x7/8" UNC Studs		1,600.00	1,840.00



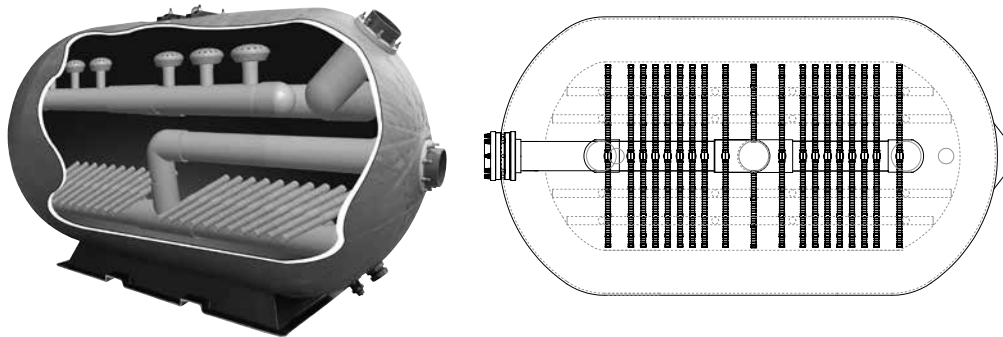
# SPDD SIDE MOUNT DEEP BED COMMERCIAL FILTERS

Part Number	Product Description	Diagram Number	List Price	Price Inc Gst
6209440	Man Hole Cover 4 Stud Complete	1	2,950.00	3,392.50
621621	Pressure Gauge Dry 600KPA/90PSI Bottom Mount	2	260.00	299.00
6340939	Hex Nut M16 (4 required)	3	4.90	5.64
6340937	Washer M16 S/S304 (8 required)	4	3.00	3.45
6209430	Lid Yoke Lacron (2 required)	5	300.00	345.00
W12324	Hex Thin Nut (4 required)	6		
6209443	O Ring Manhole Cover Oval 4 Stud - Waterco	7	26.90	30.94
W12724	S/S Screw 1" BSW Male 1/4" BSP Female Thread	8		
6340412	O Ring BS113 (4 required)	10	4.20	4.83
6340938	Hex Bolt N16X120MM (4 required)	11	20.80	23.92
6340803	Half Union 80mm Black (2 required)	12/13/14	76.50	87.98
6340801	Half Union 100mm Black (2 required)	12/13/14	132.00	151.80
6302550	O Ring B/U 80mm	14	5.70	6.56
6302553	O Ring B/U 100mm	14	9.80	11.27
62380	Sight Glass 3" Complete (Post 2008)	15	890.00	1,023.50
623100	Sight Glass 100mm DIA		900.00	1,035.00
623150	Sight Glass 150mm Assembly		940.00	1,081.00
6209470	Side Manhole Cover 18 Hole Oval	16	1,400.00	1,610.00
6209491	Side Hatch Round 200mm	16	780.00	897.00
6209471	Gasket for Side Manhole Oval 18 Hole	17	78.50	90.28
6209492	O Ring G210 for Side Hatch Round 200mm	17	14.00	16.10
64479	O Ring 40mm B/U EPDM	21	4.40	5.06
620940	Funnel For Port Size 3" & 4" (80mm & 100mm) (4 required)	22	64.00	73.60
621013	Funnel for Port Size 6" (150mm) (4 required)	22	FALSE	0.00
620223	Air Relief Tube Screen	23	10.30	11.85
6209303	Drain Plug 40mm (Sand Drain Assy)		FALSE	0.00
6209305	Drain Plug complete 50mm	18/19/20	149.00	171.35
6209410	Filter Nozzle 70mm Assembly Air Metering		7.00	8.05
620936	Drain Plug Assembly Connector 1" BSPT		123.00	141.45
620226	2" Kinetic Air Release Valve		1,600.00	1,840.00
86172	Gulfstream Plug (2 required)	24	0.70	0.81
6209405	Filter Nozzle L2-50	25	8.10	9.32
6209409	Filter Nozzle A/M (nozzle hatch) L2-70		6.00	6.90
6209410	Filter Nozzle A/M (nozzle plate) L2-70		7.00	8.05
620228	2" Air Release Vlv Ari A-D-40L-50-P		1,100.00	1,265.00
6202200	Air Relief Repair Kit MKII (Internal Commercial Filters)		136.00	156.40
620229	Lock Nut 1 1/2" BSP for easy Air Relief Outlet		21.10	24.27
6209242	Air Scour Lateral Pipe Slotted 250x0.2mm W/Cap&Skt		50.07	57.60
6209441	Top MH Cover 410X300 4Stud 2"ARV Port SS316 Pewter		3,000.00	3,450.00
6209449	M/hole cover 410X305 4Stud 2"ARV Female BSP Port, Suit M16 Lifting Eye Nut - lid only		2,350.00	2,702.50
6202512	Lifting Eye Nut M16 to suit 6209448 and 6209449		28.80	33.12
6209440	M/hole Cover 420x320 4Stud Complete W Oring & Yokes		2,950.00	3,392.50
6209472	M/hole Cover 600x400 Complete w Oring & Yokes		3,100.00	3,565.00
63450502	Lid 12" Sia SM Commercial Filters		146.00	167.90
63450502	Numbers of nozzles required for model:- SPDD1050 (80mm port) - 59 required SPDD1200 (80mm port) - 71 required SPDD1400 (100mm port) - 101 required SPDD1600 (100mm port) - 139 required SPDD1800 (150mm port) - 187 required SPDD2000 (100mm port) - 247 required SPDD2000 (150mm port) - 239 required SPDD2350 (150mm port) - 317 required		146.00	167.90



# HYDRON COMMERCIAL FILTER

Part Number	Product Description	Diagram Number	List Price	Price Inc Gst
12221001	Barrel Union Plain End 100mm		29.40	33.81
12221003	Barrel Union Locking Nut		27.90	32.09
6302553	100mm Union O ring		9.80	11.27
620945	Man Hole Cover - Trapezium (c/w metal clamp & O Ring)		4,100.00	4,715.00
620946	Hydron Commercial Lid Gasket - Trapezium (O ring, 500-600mm)		30.70	35.31
6209472	Man Hole Cover 600 x 400 Oval MK2 Complete		3,100.00	3,565.00
6209446	O ring Man Hole Cover 600mm Oval		60.00	69.00
620221	Air Relief Valve		13.80	15.87
621621	Pressure Gauge Dry 600KPA/90PSI Bottom Mount		260.00	299.00
6209303	Drain Plug 40mm complete		100.47	115.55
620936	Drain Plug Assembly Connector 1" BSPT		123.00	141.45
6209309	Drain Plug 80mm complete		335.00	385.25
620921	75mm Laterals Threaded		9.10	10.47
620923	145mm Laterals Threaded		13.80	15.87
620924	200mm Laterals Threaded		17.30	19.90
6209251	Lateral Plug Nut (male)		6.10	7.02
6209450	Steel Clamp Manhole Cover for MD2500		1,200.00	1,380.00
6209405	Filter Nozzle for MD10000 (250mm port) 617 required		8.10	9.32



## Pre 2007

Part No:	620921	620922	620923	620924
Model	Lateral 75mm	Lateral 110mm	Lateral 145mm	Lateral 200mm
M2500	-	-	36	36
M3750	-	-	58	58
M5000	-	-	84	84

## Pre 2010

Part No:	620921	620922	620923	620924
Model	Lateral 75mm	Lateral 110mm	Lateral 145mm	Lateral 200mm
MD6500		60		120

## Looped Pipework

Part No:	620921	620922	620923	620924
Model	Lateral 75mm	Lateral 110mm	Lateral 145mm	Lateral 200mm
M2500	-	-	36	36
M3750	116	-	-	58
M5000	168	-	-	84
M6500	-	-	-	120
MD6500	68	-	8	120
MD10000	208	104	4	120

## Post 2011

Part No:	620921	620922	620923	620924	6209251
Model (T-Style)	Lateral Underdrain				
	75mm	110mm	145mm	200mm	End Cap Screw
M2500	-	4	-	64	34
M3750 (150mm)	-	4	-	100	46
M5000	-	-	6	134	70
MD5000	28	12	26	72	38
MD5500 (6")	36	-	38	76	38
MD5500 (8")	28	-	30	60	30
MD6500 (8")	36	-	38	76	38
MD8000	52	-	58	116	58
MD10000	-	68	70	140	70

# ULTRAVAC SERVICE TROLLEY

Part Number	Product Description	Diagram Number	List Price	Price Inc Gst
200376	M/Cyclone 12 Plus C40 Cart Filter 40mm	1	910.00	1,046.50
2403050	Supastream Pump 050 PNR	2	710.00	816.50
122312	Hose Adaptor Barbed 1"x1 1/2" Union	6	4.00	4.60
121342	Elbow 90 Deg 40mm (Black)	7	4.50	5.18
3264002	UltraVac Metal Trolley Rack MultiCyclone 12 Type with Wheels	8	2,400.00	2,760.00
3264013	Isolator 32A 230V-440V & RCD Plug 10A & Cable Assembly	9	890.00	1,023.50
3264011	PE Wheel Cap for UltraVac	10	54.00	62.10
3264012	Rubber Grommet for UltraVac	11	5.60	6.44
3264014	Hollow Trad Wheel with PP Spoked Rim 20"x1-3/4 (88S8044)	12	310.00	356.50
6340040	T'Tuf H&L Pot Foot Bolt M6x20 S/S316	13	2.90	3.34
6340030	Drain Plug 80mm complete	14	1.70	1.96
6340826	Nut M4 Nyloc Hexagonal SS304	18	3.00	3.45

# MULTIPOINT VALVES

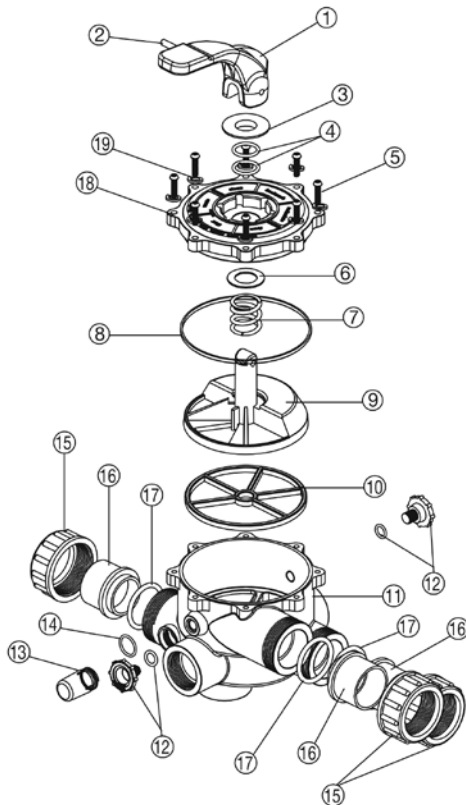
## - 40mm Waterco Valve (Grey or Black) 228042/229042/2390495

Part Number	Product Description	Diagram Number	List Price	Price Inc Gst
621451	Handle	1	53.50	61.53
621111	Handle Pin	2	10.30	11.85
621452	Teflon Ring	3	20.20	23.23
621453	Top Cover (Top Mount)	18	109.00	125.35
621467	Top Cover MK11 (Side Mount)	18	127.00	146.05
621454	Top Cover Gasket	8	22.40	25.76
621464	Top Cover Bolt (Set of 6)	5	17.10	19.67
621465	Top Cover Nut (Set of 6)	5	8.70	10.01
621455	Teflon Spring Washer (2 required)	6	15.00	17.25
621456	Spring	7	29.40	33.81
621457	Axle O Ring (2 required)	4	4.40	5.06
621458	Rotor	9	30.20	34.73
621460	Spider Gasket (5 spoke) (suits alternate - larger than 62125)	10	21.70	24.96
62146	Body (Top Mount) - inc Spider Gasket	10/11	216.00	248.40
229042	MPV Body SM 40mm SF Slip Fit	11	204.00	234.60
2290421	MPV Body SM 40mm SF male/female BSP	11	350.00	402.50
620221	Air Release Valve and O Ring	12	13.80	15.87
621462	Sight Glass Gasket	14	14.30	16.45
621463	Sight Glass	13	42.20	48.53
62100	Valve to Tank O Ring	21	8.50	9.78
621450	MPV Centre Stem O Ring (TM)	20	5.00	5.75
122243B	40mm Half Union Black c/w O Ring	15/16/17	10.80	12.42
64479	Half Union O Ring - 40mm	17	4.40	5.06
621449	Top Assembly Complete - 40mm (Includes nuts & bolts)	1-9	186.00	213.90

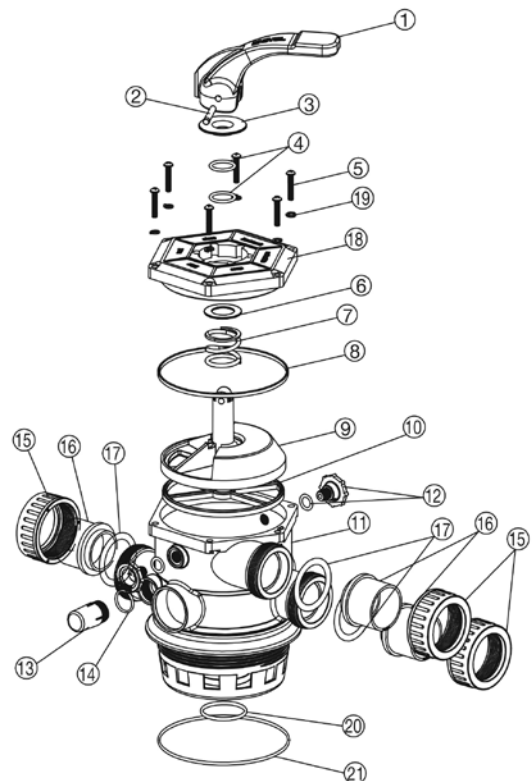
### 40mm OLD STYLE VALVE - Pre 9/92

62110	Handle	1	71.00	81.65
621111	Handle Pin	2	10.30	11.85
621201	Valve Axle O Ring (2 required)	10	4.30	4.95
62125	Spider Gasket (smaller than 621460)	12	48.40	55.66
620221	Air Release Valve	17	13.80	15.87
62100	Valve to Tank O Ring	n/s	8.50	9.78

\*Parts are subject to availability



**229042**

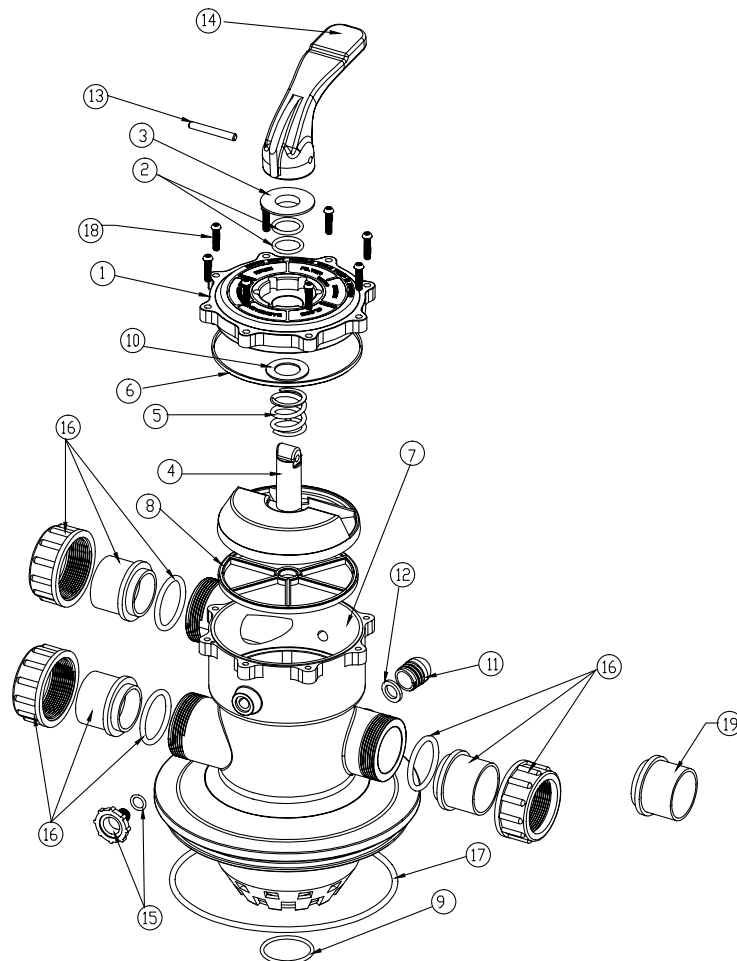


**228042**

# MULTIPOINT VALVES

## - 40mm 6 Way Collar Type 2280443

Part Number	Product Description	Diagram Number	List Price	Price Inc Gst
621467	Top Cover	1	127.00	146.05
621457	Axle O Ring - BS214	2	4.40	5.06
621452	Teflon Ring	3	20.20	23.23
621458	Rotor	4	30.20	34.73
621456	Spring	5	29.40	33.81
621454	Top Cover Gasket	6	22.40	25.76
621443	MPV TM40mm Collar Body Assy	7		
6214601	Spider Gasket	8	19.30	22.20
621450	O Ring Centre Stem - BS225	9	5.00	5.75
621455	Teflon Spring Washer	10	15.00	17.25
621463	Sight Glass	11	42.20	48.53
621462	Sight Glass Gasket	12	14.30	16.45
621111	Handle Pin	13	10.30	11.85
621451	Handle	14	53.50	61.53
620221	Air Release Valve c/w O Ring	15	13.80	15.87
122243B	Half Union 40mm c/w O Ring	16	10.80	12.42
64479	Half Union O Ring - 40mm	16	4.40	5.06
620265	O Ring G225	17	44.10	50.72
620196	Lock ring10" Sand Filter (collar between MPV & tank)		174.00	200.10
622602	Square nut for clamp (T series clamp)		17.30	19.90
621373	Bolt for clamp (T series clamp)		3.70	4.26
6214492	MPV 40mm Top Assembly Kit - consisting of:-		211.00	242.65
	Top Cover			
	Axle O Ring			
	Teflon Ring			
	Valve Teflon Ring			
	Rotor without groove			
	Spring			
	Top Cover Gasket			
	Handle			
	Handle Pin			





# MULTIPOINT VALVES

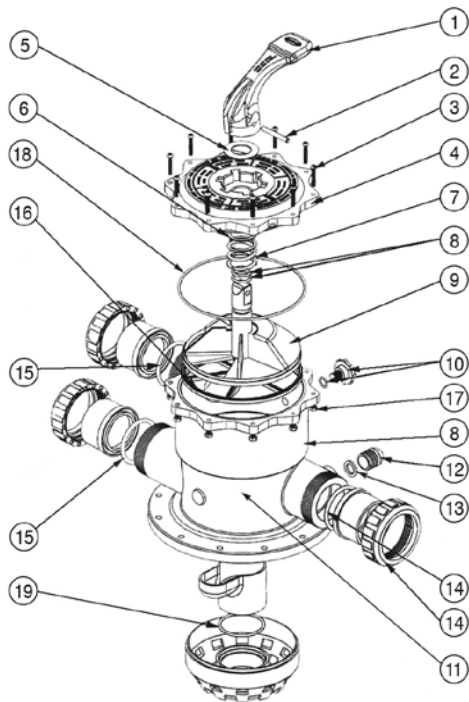
- 50mm Waterco Valve 228053 (TM) + 2290512 (SM) + 228058 (TM)

Part Number	Product Description	Diagram Number	List Price	Price Inc Gst
621451	Handle	1	53.50	61.53
621111	Handle Pin	2	10.30	11.85
6213720	Bolt Kits M6 x 32mm SS304 (Set of 10)	3	24.60	28.29
6211303	Lid MPV 50mm	4	100.00	115.00
621105	Teflon Washer	5	3.00	3.45
621161	Teflon Spring Washer	6	15.60	17.94
621181	Spring	7	58.00	66.70
621201	Valve Axle O Ring (2 required)	8	4.30	4.95
621231	Rotor	9	192.00	220.80
620221	Air Release Valve and O Ring	10	13.80	15.87
621302	Body - inc Spider Gasket (Top Mount)	11	345.00	396.75
621381	Sight Glass	12	42.20	48.53
621341	Sight Glass Gasket	13	14.30	16.45
634024B	Half Union 50mm W/O'Ring (2 required) - Black	14	25.80	29.67
6340241	50mm Half Union O Ring	15	5.80	6.67
621261	Spider Gasket (Black)	16	53.00	60.95
62135	Top Cover Nuts (Set of 10)	17	37.60	43.24
62115	Top Cover O Ring	18	14.00	16.10
621320	Centre Stem O Ring	19	4.30	4.95
62101	Valve Plate Tank Gasket	n/s	98.00	112.70
62132	Top Assembly Complete - 50mm (includes nuts&bolts)	1-9 & 18	335.00	385.25

## 50mm MULTIPORT VALVE - Pre 1999

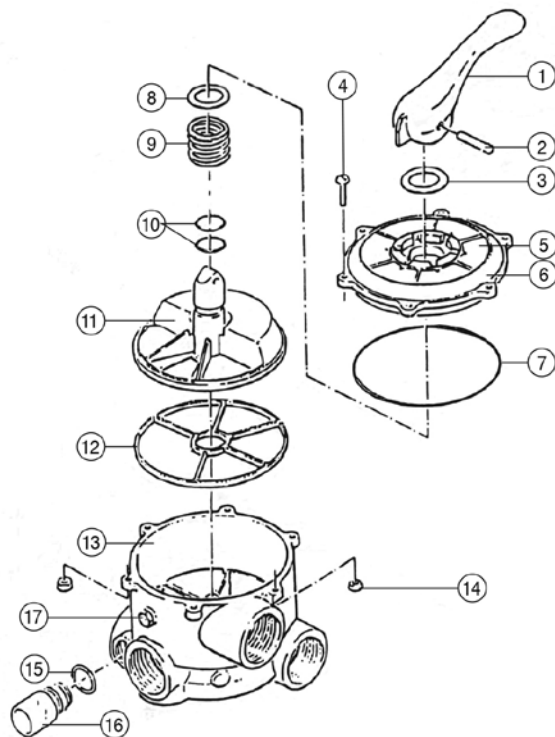
62110	Handle	1	71.00	81.65
62115	Top Cover O Ring	7	14.00	16.10
621201	Valve Axle O Ring (2 required)	10	4.30	4.95
62126	Spider Gasket (Black)	12	116.00	133.40
620221	Air Release Valve c/w O Ring	17	13.80	15.87
62102	Dome Nut/Washer Set (12)		123.00	141.45
62101	Valve Plate Tank Gasket		98.00	112.70
1222510	Barrel Union Threaded Black 50mm		38.70	44.51

50mm Waterco Valve



228053

50mm Multiport Valve Pre 1999

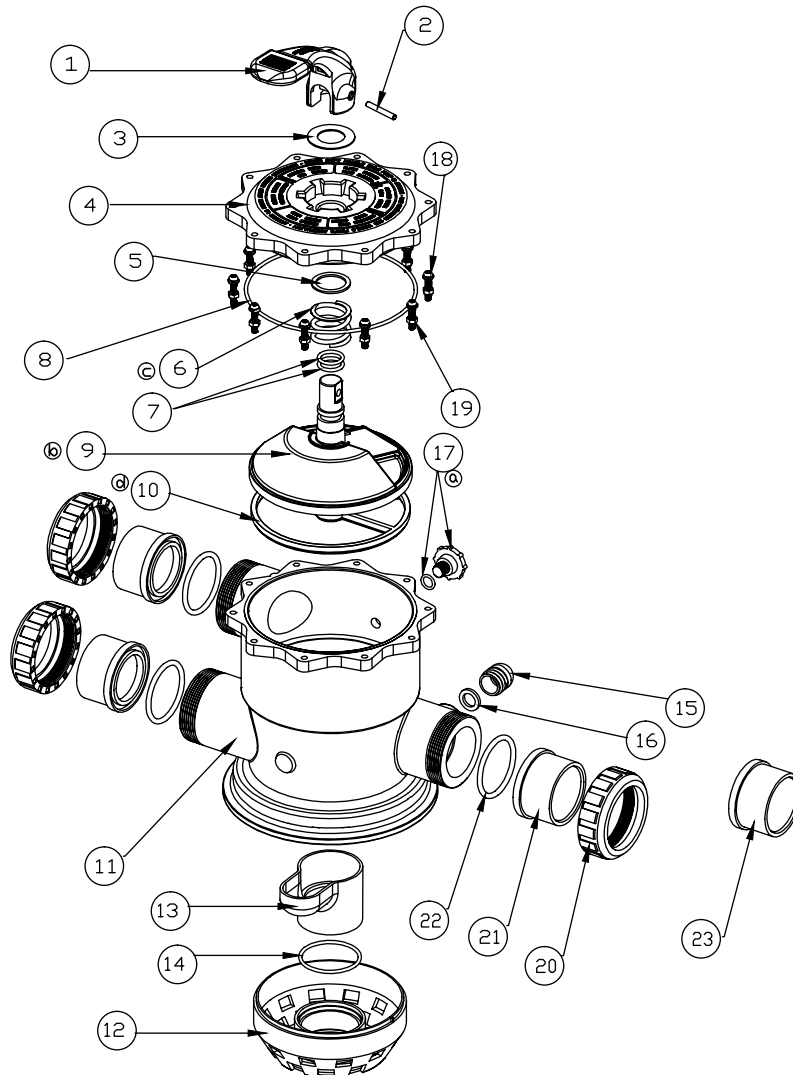


2290512

# MULTIPOINT VALVES

## - 50mm Waterco Valve TM 228058 E602/E602 PLUS/E702

Part Number	Product Description	Diagram Number	List Price	Price Inc Gst
6214511	Handle	1	53.00	60.95
621111	Handle Pin	2	10.30	11.85
621105	MPV 50mm Rotor Washer (Big)	3	3.00	3.45
6211303	Lid MPV 50mm MK2	4	100.00	115.00
621161	MPV 50mm Rotor Washer (Sml)	5	15.60	17.94
621183	MPV 50mm Spring 3.5 Coil 5.5mm	6	36.70	42.21
621201	MPV 50mm Valve Axle O ring	7	4.30	4.95
621151	MPV 50mm Top O Ring	8	0.00	
621237	Rotor & Gasket 70 Shore MPV 50mm MK2		81.50	93.73
621305	MPV PM 50mm Body Assy 8" Clamp MK2		248.00	285.20
W44511	MPV 50mm Body 8" Clamp MK2	11	0.00	
W22480	MPV 50mm Diffuser MK2	12	0.00	
W22481	MPV 50mm Adapter MK2	13	0.00	
621320	MPV 50mm Diffuser O ring (L)	14	4.30	4.95
621381	MPV 50mm Sight Glass	15	42.20	48.53
621341	MPV 50mm Sight Glass Gasket	16	14.30	16.45
620221	Air Relief Valve - Black	17	13.80	15.87
621372	MPV 50/65/80mm Lid Bolt M6x30W	18	11.60	13.34
62135	TOP COVER NUT 50MM MPV (set of 10)	19	37.60	43.24
6340241	O'Ring - 50mm Half Union 60 X 5.5mm	22	5.80	6.67
6340244B	B/U Plain End Slip/Slip 63mm Metric Black	23		

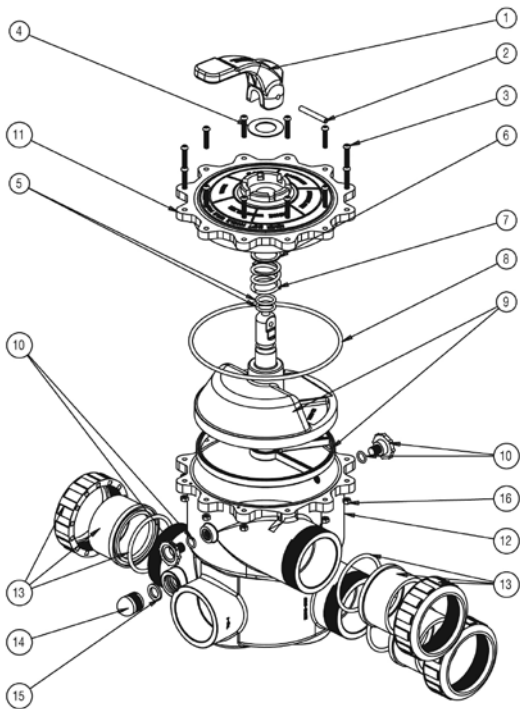


# MULTIPOINT VALVES

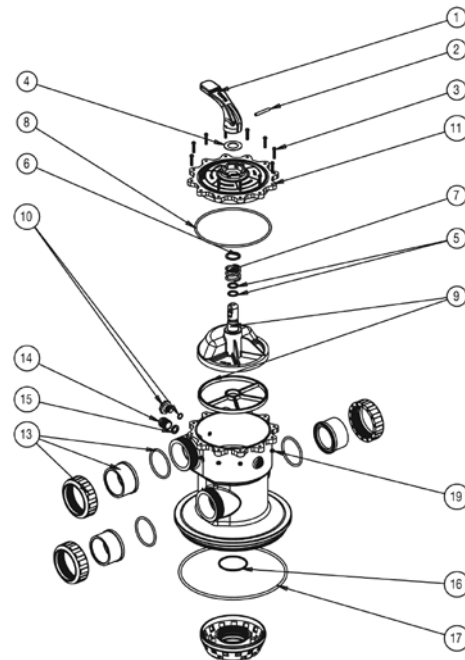
## - 65mm Waterco Valve SM (22905010) and TM (2280600)

Part Number	Product Description	Diagram Number	List Price	Price Inc Gst
<b>65mm Side Mount/Top Mount</b>				
621451	Handle	1	53.50	61.53
621111	Handle Pin	2	10.30	11.85
621372	Bolt M6x32mm S/S 304 (Set of 10)	3	11.60	13.34
621105	Rotor Washer	4	3.00	3.45
621201	Valve Axle O Ring	5	4.30	4.95
621161	Teflon Spring Washer	6	15.60	17.94
621181	Spring	7	58.00	66.70
62021	Lid O Ring	8	7.10	8.17
621233	Rotor and Gasket	9	330.00	379.50
620221	Air Release Valve (c/w O Ring) - Black	10	13.80	15.87
620193	Air Release Valve O Ring - BS112	10	4.30	4.95
6211302	Lid	11	151.00	173.65
63406554	Half Union O Ring - BS338	12	4.30	4.95
644492	Half Union c/w O Ring 65/80mm	13	31.40	36.11
63406565B	65/65mm Half Union W/O'Ring	13	42.70	49.11
621381	Sight Glass	14	42.20	48.53
621341	Sight Glass Gasket	15	14.30	16.45
621351	Lid Nut M6	16	7.60	8.74
12782	Coupling 80mm - Black		0.00	
22905011	Plumbing Kit 65mm W/O MPV		350.00	402.50
<b>65mm Top Mount</b>				
621478	Screw M6x25mm	3	7.70	8.86
6340113	Centre Pipe O Ring (65mm Top Mount Only)	16	4.30	4.95
62027	O Ring (Neck) - BS452 (65mm Top Mount Only)	17	18.10	20.82

**65mm Side Mount**



**65mm Top Mount**

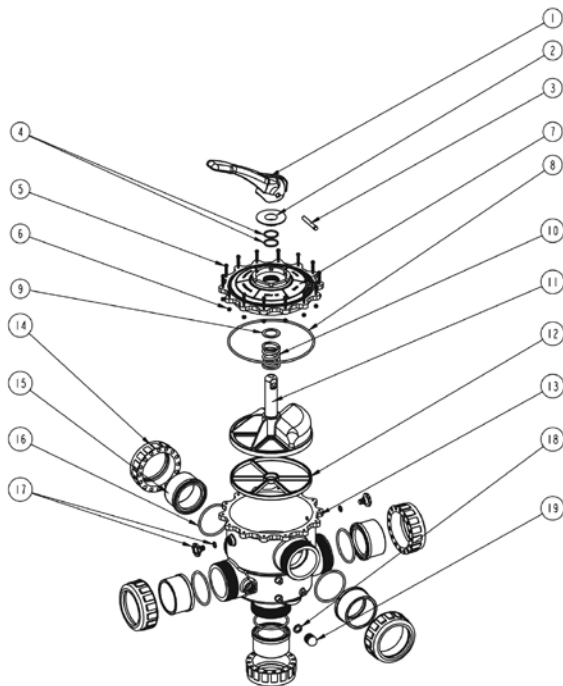


# MULTIPOINT VALVES

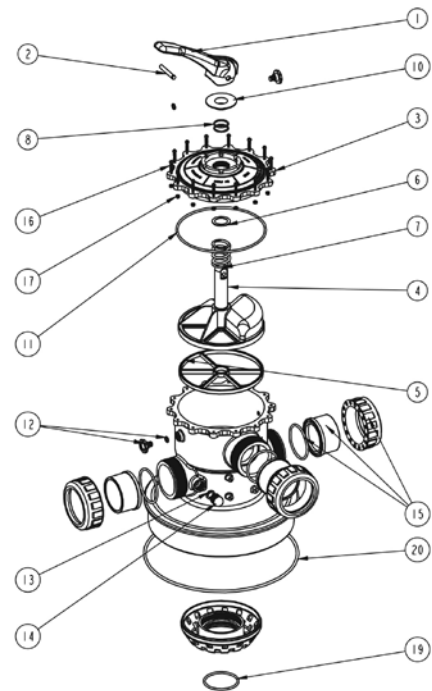
## - 80mm Waterco Valve SM (2290820) and TM (228800)

Part Number	Product Description	Diagram Number	List Price	Price Inc Gst
<b>Valve 80mm Side Mount/Top Mount</b>				
621100	Handle	1	151.00	173.65
621193	Sleeve	2	13.20	15.18
6211020	Handle Pin	3	34.50	39.68
621202	Axle O Ring (2 required)	4	4.30	4.95
621372	Bolt M6x32mm S/S 304 (Set of 10)	5	11.60	13.34
621351	Nut M6	6	7.60	8.74
6211310	Lid Printed	7	279.00	320.85
621142	Lid O Ring - G245	8	33.50	38.53
6211060	Washer	9	4.70	5.41
621192	Spring 80mm	10	167.00	192.05
6212430	Rotor (with Spider Gasket MPV 80mm)	11	640.00	736.00
621293	Body	13	700.00	805.00
6340803	Half Union with O Ring 80mm	14-16	76.50	87.98
6302550	Half Union O Ring	16	5.70	6.56
620221	Air Release Valve with O Ring	17	13.80	15.87
621341	Sight Glass Gasket	18	14.30	16.45
621381	Sight Glass	19	42.20	48.53
2290891	Plumbing Kit 80mm SM W/O MPV		475.00	546.25
<b>80mm Waterco Valve TM</b>				
6211310	Lid Printed	3	279.00	320.85
6340803	Half Union with O Ring	15	76.50	87.98
621371	Bolt M6x30	16	11.00	12.65
621194	Centre Stem (Diffuser) O Ring - P90	19	7.10	8.17
6211031	O'RING 406.5 X 12.0 MM (Post Dec 2013)	20	92.00	105.80
6211030	Neck Ring O Ring (Post Dec 2013)	20	39.20	45.08
621292	TM Body	12	186.00	213.90
621180	80mm Top Assy Kit	1/2/3/4/5/6/7/8/10/11/16/17	570.00	655.50
621013	Diffuser MPV 80mm	21		

**80mm Waterco Valve Side Mount**



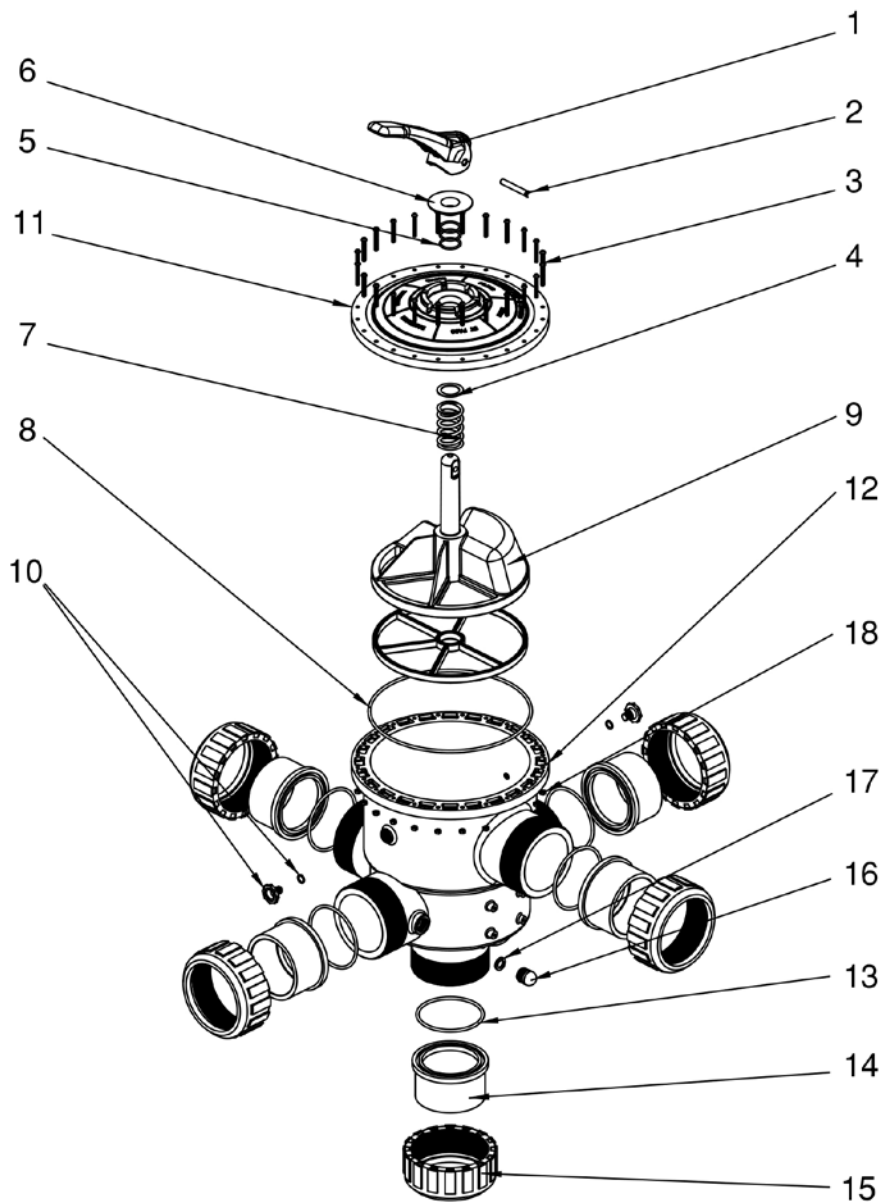
**80mm Waterco Valve Top Mount**



# MULTIPOINT VALVES

## - Waterco 100mm MPV - SM (2291005)

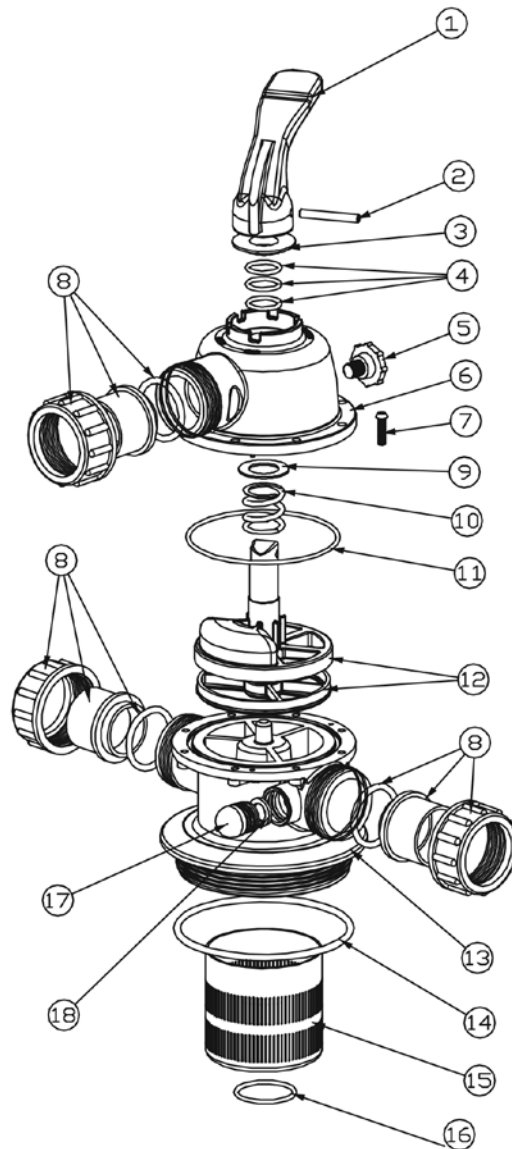
Part Number	Product Description	Diagram Number	List Price	Price Inc Gst
621100	Handle	1	151.00	173.65
6211020	Handle Pin	2	34.50	39.68
621373	Bolt M6x55mm	3	3.70	4.26
6211060	Washer	4	4.70	5.41
621202	Axial O Ring (3 required)	5	4.30	4.95
621193	Sleeve	6	13.20	15.18
6211015	Spring	7	660.00	759.00
62110110	Lid O Ring	8	14.00	16.10
62110221	Rotor & Spider Gasket Assembly	9	640.00	736.00
620221	Air Relief Valve with O Ring (2 required)	10	13.80	15.87
6211028	Lid	11	580.00	667.00
6211029	Body	12	1,600.00	1,840.00
1222101	Barrel Union Complete w/tail + O'Ring 100mm Black	13/14/15	155.00	178.25
621381	Sight Glass	16	42.20	48.53
621341	Sight Glass Gasket	17	14.30	16.45
621351	Nut (24 required)	18	7.60	8.74



# MULTIPOINT VALVES

## - 40mm 5 Way 6 Bar Valve 228062

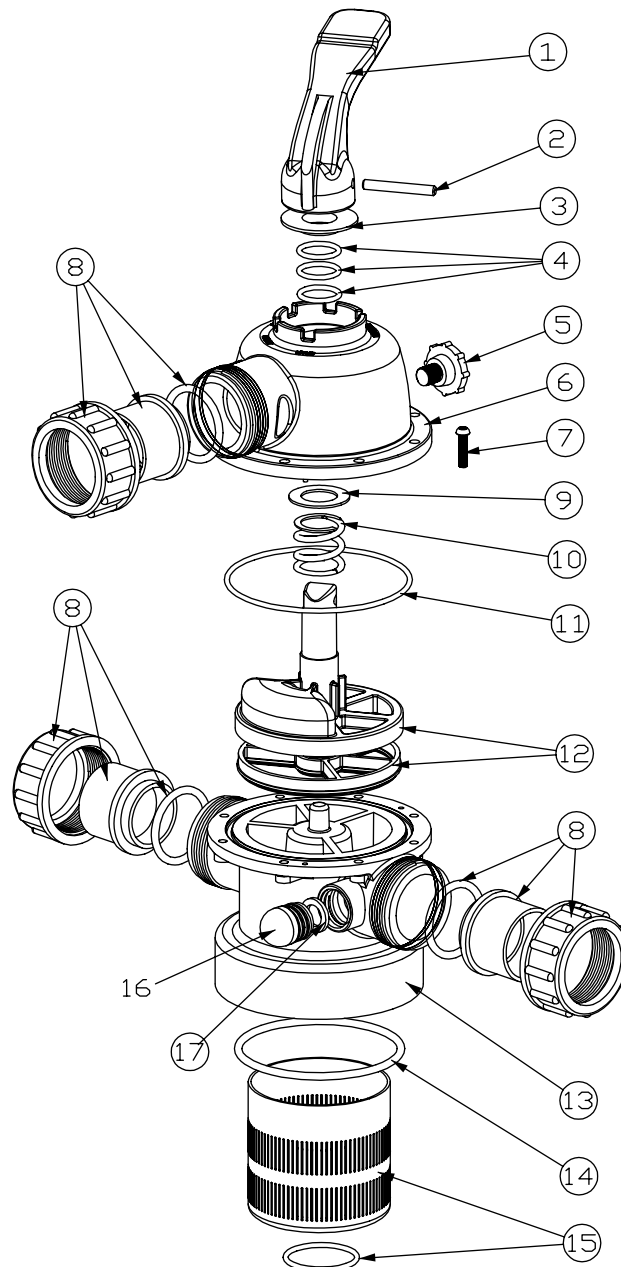
Part Number	Product Description	Diagram Number	List Price	Price Inc Gst
621451	Handle	1	53.50	61.53
621111	Handle Pin	2	10.30	11.85
621452	Teflon Ring	3	20.20	23.23
621457	Axle O Ring - BS214	4	4.40	5.06
620221	Air Release Valve c/w O Ring	5	13.80	15.87
621480	Top Housing 5 Way 40mm MPV	6	78.50	90.28
621478	Screw M6x25 P/H (set of 8)	7	7.70	8.86
122243B	Half Union 40mm Black c/w O Ring	8	10.80	12.42
64479	O'ring Half Union 40mm	8	4.40	5.06
621455	Spring Washer (Teflon)	9	15.00	17.25
621487	Spring	10	58.00	66.70
621479	O Ring 125x4mm	11	11.20	12.88
621486	Rotor c/w Gasket 5 Way	12	83.00	95.45
621484	5 Way MPV Body 6 Bar 40mm BSP	13	94.50	108.68
62100	O Ring 40mm MPV Valve to Tank	14	8.50	9.78
621473	Sleeve O Ring	16	4.30	4.95
621381	Sight Glass	17	42.20	48.53
621341	Sight Glass Gasket	18	14.30	16.45
621474	40way MPV diffuser	15	29.90	34.39



# MULTIPOINT VALVES

## - 40mm 5 WAY MPV 7 BAR 2280262

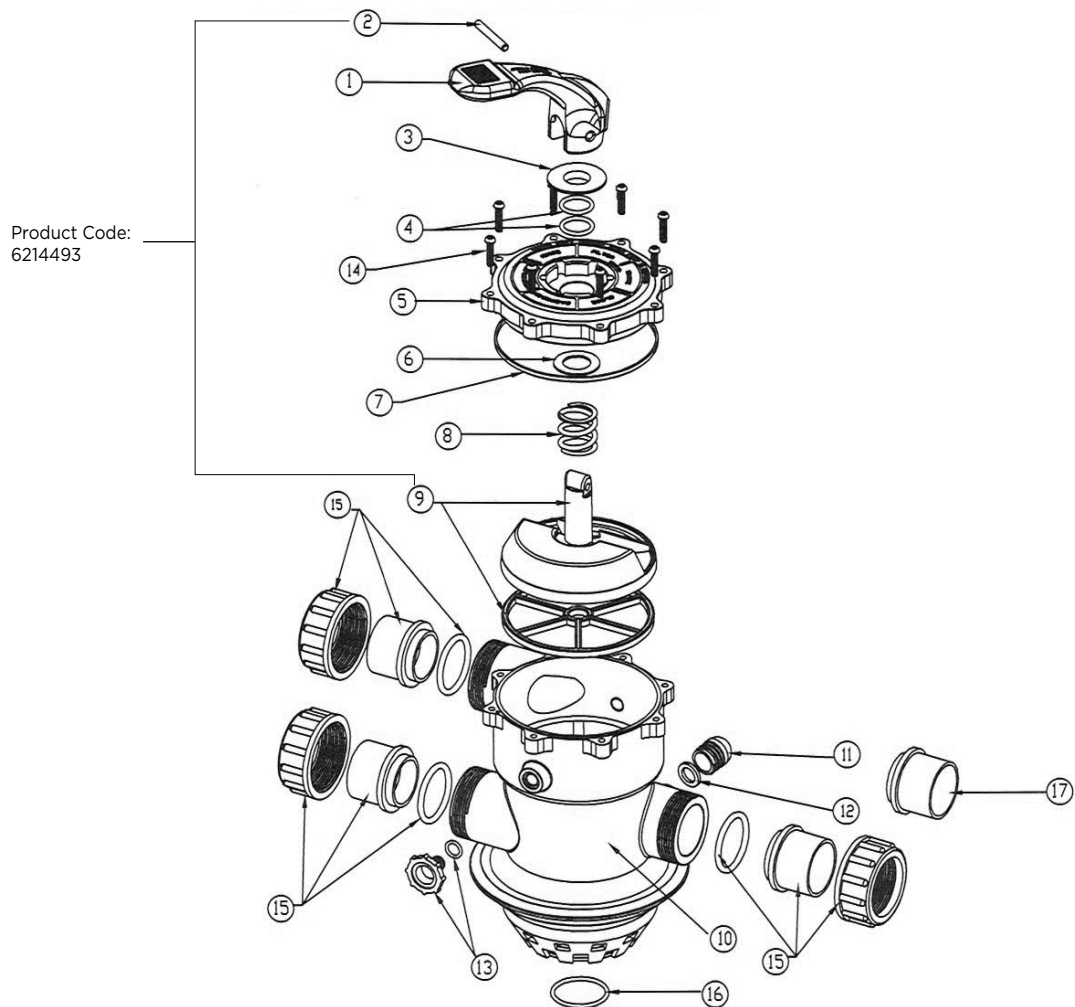
Part Number	Product Description	Diagram Number	List Price	Price Inc Gst
6214511	Handle	1	53.00	60.95
6211111	Handle Pin	2	10.30	11.85
621452	Teflon Ring	3	20.20	23.23
621457	Axle O Ring - AS214	4	4.40	5.06
620221	Air Relief Valve	5	13.80	15.87
621480	MPV 5 Way 40mm BSP Top Housing P/Printed	6	78.50	90.28
621478	MPV 4 Way 40mm Screw M6x25 P/H S/S w S/W	7	7.70	8.86
122243B	Half Union 40mm C/W O'Ring Black	8	10.80	12.42
621455	Valve Teflon Ring 40mm MPV	9	15.00	17.25
621487	MPV 5 Way 40mm Spring 200LB	10	58.00	66.70
621479	O'Ring 40mm 4 Way MPV Lid 125x4mm 70 Shore	11	11.20	12.88
621486	MPV 5 Way 40mm Rotor W/Gasket	12	83.00	95.45
621488	MPV 5 Way 40mm BSP Body Collar 7 Bar MC	13	151.00	173.65
6214521	MPV 40mm Collar O'Ring AS348	14	5.70	6.56
621474	MPV 4 Way 40mm Diffuser	15	29.90	34.39
621381	MPV 50mm Sight Glass W	16	42.20	48.53
621341	MPV 50mm Sight Glass Gasket W	17	14.30	16.45
64449B	B/U Plain End Slip/Slip 50mm Metric Black	18	6.10	7.02



# MULTIPOINT VALVES

## - TM 40mm Clamp 22804455 (Superseded 22804456)

Part Number	Product Description	Diagram Number	List Price	Price Inc Gst
6214511	Handle	1	53.00	60.95
621111	Handle Pin	2	10.30	11.85
621452	Teflon Ring	3	20.20	23.23
621457	Axle O Ring - BS214	4	4.40	5.06
6214672	Lid MPV 40mm	5	100.00	115.00
621455	Spring Washer (Teflon)	6	15.00	17.25
621454	W/C Top Cover Gasket	7	22.40	25.76
621456	W/CO MPV Spring	8	29.40	33.81
6214582	Rotor W/Gasket MPV 40mm	9	36.00	41.40
W22046	MPV 40mm Rotor W/Groove MK2			
6214602	Spider Gasket 40mm TM MPV MK2		72.00	82.80
6214450	MPV 6way Body Clamp Ext Thd MK2	10	180.00	207.00
W02691	O ring 40MPV 4W		0.00	
621381	Sight Glass	11	42.20	48.53
621341	Sight Glass Gasket	12	14.30	16.45
620221	Air Relief	13	13.80	15.87
W02758	MPV 6W40 1/4"x28 SCW	14	0.00	
122243B	Half Union 40mm C/W O Ring Black	15	10.80	12.42
W02209BLK	B/U Locking Nut 40mm Black			
W02210BLK	B/U P/End Slip/Slip 40mm Black			
W02213	O ring 40mm B/U			
W02691	O ring 40MPV 4W	16		
64449B	B/U P/End 50MET Black	17	6.10	7.02
6214493	MPV 40mm Top Assy Kit W/Co MK2 & MK3	1/2/3/4/5/6/7/8/9/14	237.00	272.55



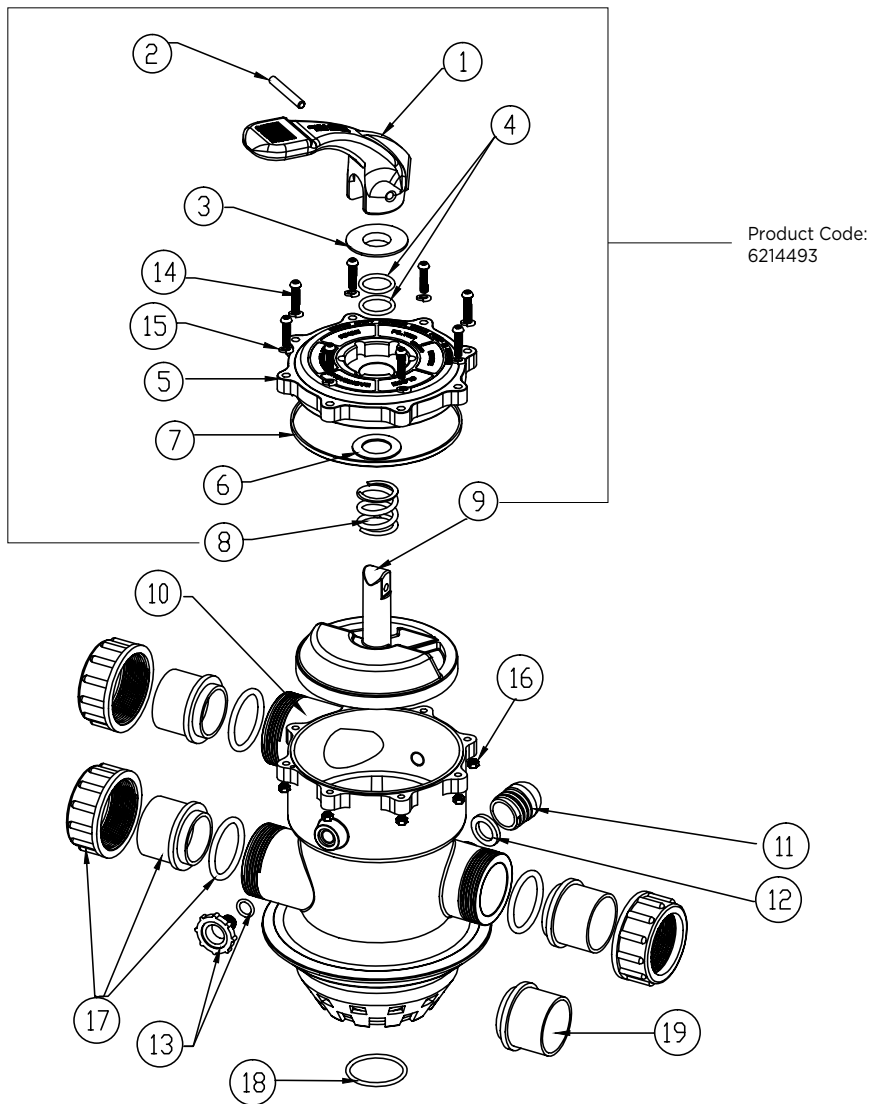


# MULTIPOINT VALVES

## - 40mm TM 6 Way Clamp Type MK3 22804456

Suit T/Pas & Exotuf Plus

Part Number	Product Description	Diagram Number	List Price	Price Inc Gst
6214511	Handle	1	53.00	60.95
6211111	Handle Pin	2	10.30	11.85
6214520	Washer Top Cover	3	0.00	
621457	Axle o Ring BS214	4	4.40	5.06
6214672	Top Cover	5	100.00	115.00
6214550	Washer Rotor Axle		0.00	
621454	Top Cover Gasket	7	22.40	25.76
621456	Spring	8	29.40	33.81
6214582	Rotor with groove & spider gasket	9	36.00	41.40
6214451	MPV TM 40mm Body Clamp 6 Way MK3	10	134.00	154.10
621381	MPV Sight Glass 50mm	11	42.20	48.53
621341	MPV Sight Glass Gasket 50mm	12	14.30	16.45
620221	Air Release Valve	13	13.80	15.87
W22567	Bolt M6x35P/H M/C A2	14		
W12783	Washer M6 Spring SS304	15		
W02213	Nut Hex M6 S/S304	16		
122243B	40mm Half Union c/w O Ring	17	10.80	12.42
6202691	O'ring 180x4.5 (E600 MPV)	18	9.80	11.27
64449B	Screw W/Nut & Washer Kit	19	6.10	7.02
6214493	MPV 40mm Top Assy Kit W/Co MK2 & MK3	1/2/3/4/5/6/7/8/9/14/15	237.00	272.55

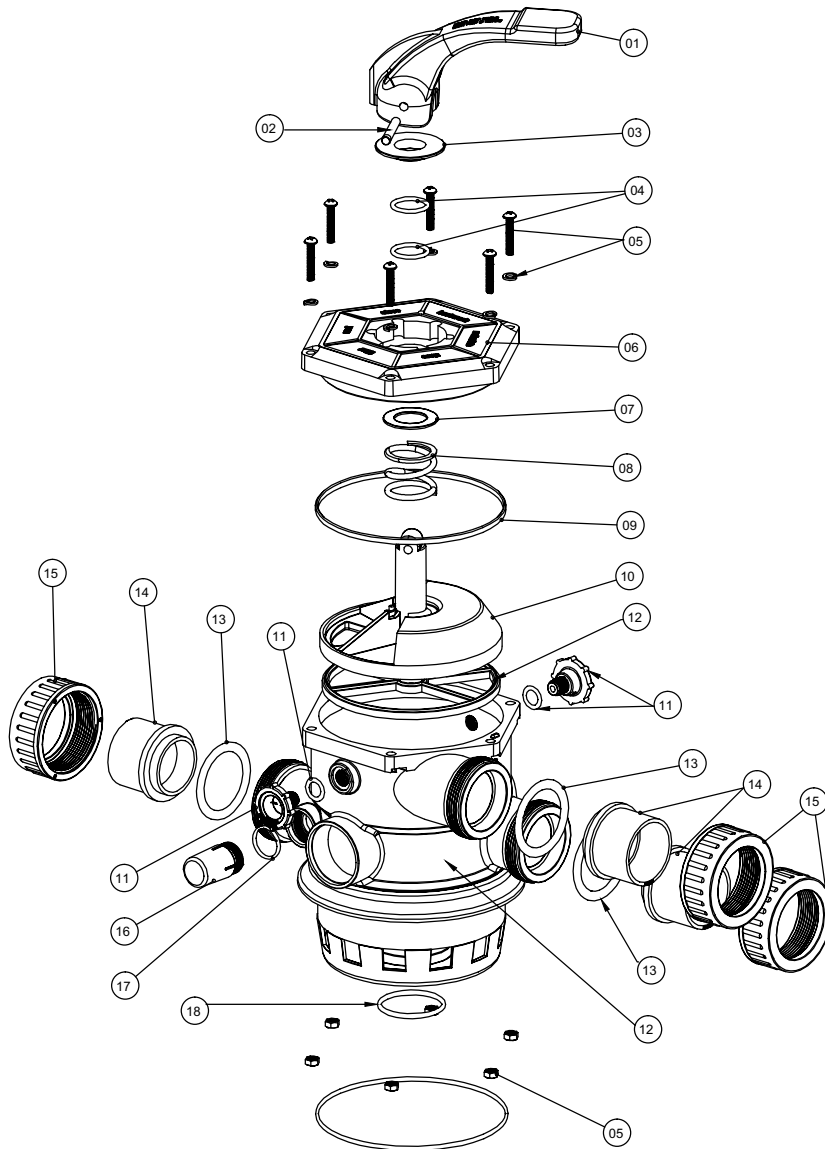


# MULTIPOINT VALVES

## - 40mm TM 6 Clamp Type Exotuf 22804221

(Suit Exotuf)

Part Number	Product Description	Diagram Number	List Price	Price Inc Gst
6214514	MPV Handle 40mm (K)	1		
621111	Handle Pin	2	10.30	11.85
621452	MPV 40mm Teflon Ring (K)	3	20.20	23.23
6214572	O'Ring AS214-EP (Axle)	4	3.90	4.49
6214642	Top Cover Bolt/Washer/Nut (6 Sets)	5	16.20	18.63
621453	MPV 40mm Top Cover	6	109.00	125.35
621455	Valve Teflon Ring - 40mm MPV	7	15.00	17.25
6214562	MPV 40mm Spring (K)	8	27.80	31.97
621454	MPV 40mm Top Cover Gasket (K)	9	22.40	25.76
621458	MPV 40mm Rotor (K)	10	30.20	34.73
620221	Air Relief Valva New Style - Black	11	13.80	15.87
6214472	MPV Body Complete W Spider Gasket	12	194.00	223.10
6214502	O'Ring AS214-EP (Axle)	13	4.70	5.41
644494	B/U P/End Slip/Slip 40mm Black (K)	14	8.50	9.78
644496	B/U Locking Nut 40mm Black (K)	15	12.60	14.49
621463	MPV 40mm Sight Glass (K)	16	42.20	48.53
621462	MPV 40mm Sight Glass Gasket (K)	17	14.30	16.45
621450	O'Ring AS225	18	5.00	5.75

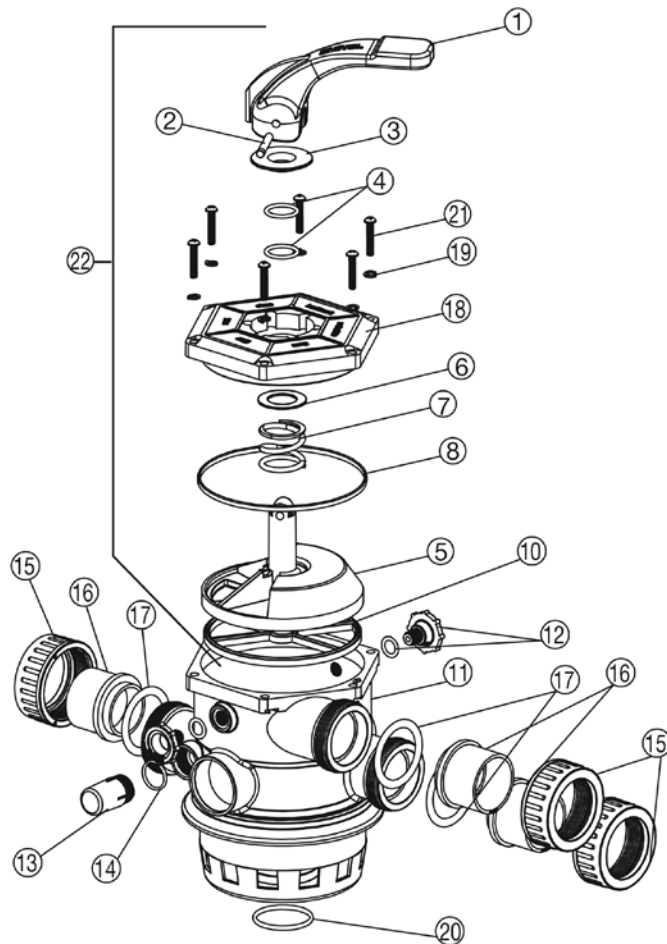


# MULTIPOINT VALVES

## - 40mm TM 6 Way Clamp Type 2280422

Suit Thermoplastic Filters - 6" clamp neck ring, Premium S600

Part Number	Product Description	Diagram Number	List Price	Price Inc Gst
621451	Handle	1	53.50	61.53
621111	Handle Pin	2	10.30	11.85
621452	Teflon Ring	3	20.20	23.23
621457	Axle O Ring	4	4.40	5.06
621455	Valve Teflon Ring	6	15.00	17.25
621456	Spring	7	29.40	33.81
621454	Top Cover Gasket	8	22.40	25.76
621458	Rotor without groove	5	30.20	34.73
621460	TM 40mm Spider Gasket	10	21.70	24.96
621447	TM Body 40mm Clamp Type (c/w spider gasket)	11	207.00	238.05
620221	Air Release Valve	12	13.80	15.87
621463	Sight Glass	13	42.20	48.53
621462	Sight Glass Gasket	14	14.30	16.45
122243B	Half Union 40mm c/w O Ring	15/16/17	10.80	12.42
621453	Top Cover	18	109.00	125.35
621450	Bottom O Ring AS225	20	5.00	5.75
621449	Top Assembly Complete - 40mm (suits 6 bolt top cover)		186.00	213.90
621464	W/CO MPV Top Cover Bolt (set of 8) + washer	19/21	17.10	19.67
6214492	MPV 40mm Top Assembly Kit (use on 2280422 + 2280443) (suit 6 bolt top cover)		211.00	242.65
6214493	MPV 40MM Top Assembly Kit WCO MK2 (suit 8 bolt top cover) Top Cover Axle O Ring Teflon Ring Valve Teflon Ring Rotor without groove & gasket Spring Top Cover Gasket Handle Handle Pin		237.00	272.55
620269	Valve to Tank O'Ring 185x4mm		16.90	19.44
621449	Suits 228042 & 6 Screw Hole Top Cover		186.00	213.90

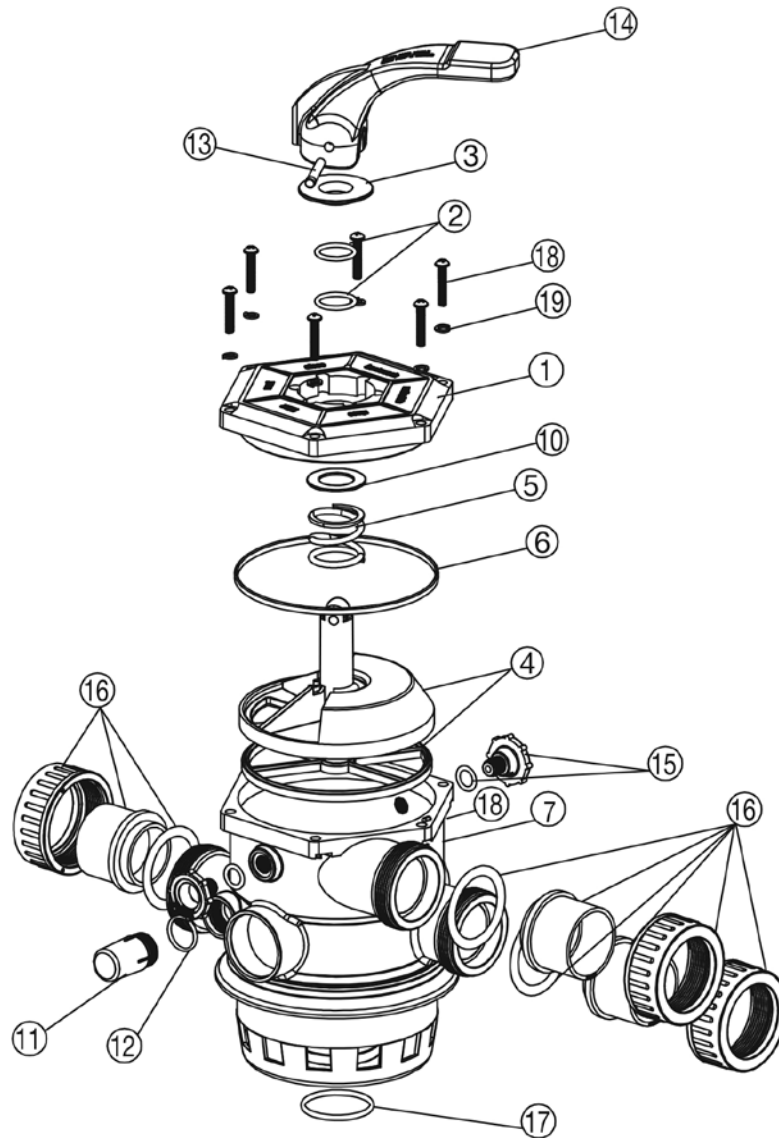


# MULTIPOINT VALVES

## - 40mm TM 6 Way Ext Thread MK2 22804415 (superceded to 22804416)

4 Bar - Suit Micron S Filters

Part Number	Product Description	Diagram Number	List Price	Price Inc Gst
6214672	Top Cover	1	100.00	115.00
621457	Axle O Ring	2	4.40	5.06
621452	Teflon Ring	3	20.20	23.23
6214582	Rotor with groove c/w Spider Gasket	4	36.00	41.40
621456	Spring	5	29.40	33.81
621454	Top Cover Gasket	6	22.40	25.76
6214410	Body	7	186.00	213.90
621450	40mm MPV Centre Stem O Ring	9	5.00	5.75
621455	Valve Teflon Ring	10	15.00	17.25
621463	Sight Glass	11	42.20	48.53
621462	Sight Glass Gasket	12	14.30	16.45
621111	Handle Pin	13	10.30	11.85
621451	Handle	14	53.50	61.53
620221	Air Release Valve	15	13.80	15.87
122243B	Half Union 40mm c/w O Ring	16	10.80	12.42
62100	Valve O Ring		8.50	9.78
6214493	MPV 40mm Top Assembly Kit		237.00	272.55
621478	M6 x 25mm Screw 4 Way MPV	18	7.70	8.86
6340020	M6 Screw W/Nut & Washer Kit	18	11.40	13.11
621478	M6 X 25mm P/H Screw (Set of 8)	19/21	7.70	8.86

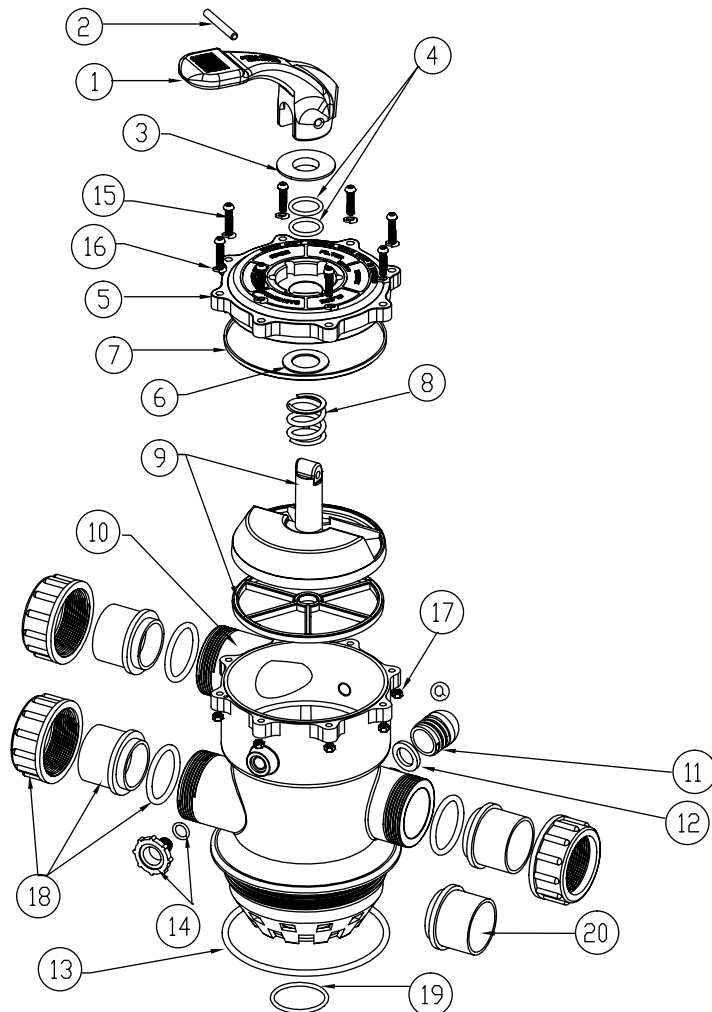


# MULTIPOINT VALVES

## - 40mm TM 6 Way Ext Thread MK3 22804416

4 Bar - Suit Micron S Filters

Part Number	Product Description	Diagram Number	List Price	Price Inc Gst
621451	Handle	1	53.50	61.53
621111	Handle Pin	2	10.30	11.85
6214520	Washer Top Cover	3		
621457	Axle O Ring	4	4.40	5.06
6214672	Top Cover	5	100.00	115.00
6214550	Washer Rotor Axle	6		
621454	Top Cover Gasket	7	22.40	25.76
621456	Spring	8	29.40	33.81
6214582	Rotor with groove c/w Spider Gasket	9	36.00	41.40
W22046	40mm Rotor W/Grove			
6214602	40mm 6Way Spider Gasket		72.00	82.80
621441	40" Body 6W	10	136.00	156.40
W22063	Diffuser			
W22062	Adapter			
621381	50mm Sight Glass	11	42.20	48.53
621341	50mm Sight Glass Gasket	12	14.30	16.45
62100	Valve O'Ring	13	8.50	9.78
620221	Air Release Valve	14	13.80	15.87
W22567	Bolt	15		
W12783	Washer M6 Spring	16		
W22040	Nut Hex M6	17		
122243B	Mac Half Union 40mm Black	18	10.80	12.42
W2209BLK	Locking Nut 40mm Black			
W02210BLK	B/U P/End Slip/Slip 40mm Black			
64479	O ring 40mm		4.40	5.06
621473	Sleeve O'Ring 4Way MPV	19	4.30	4.95
64449B	B/U P/End 50MET Black	20	6.10	7.02

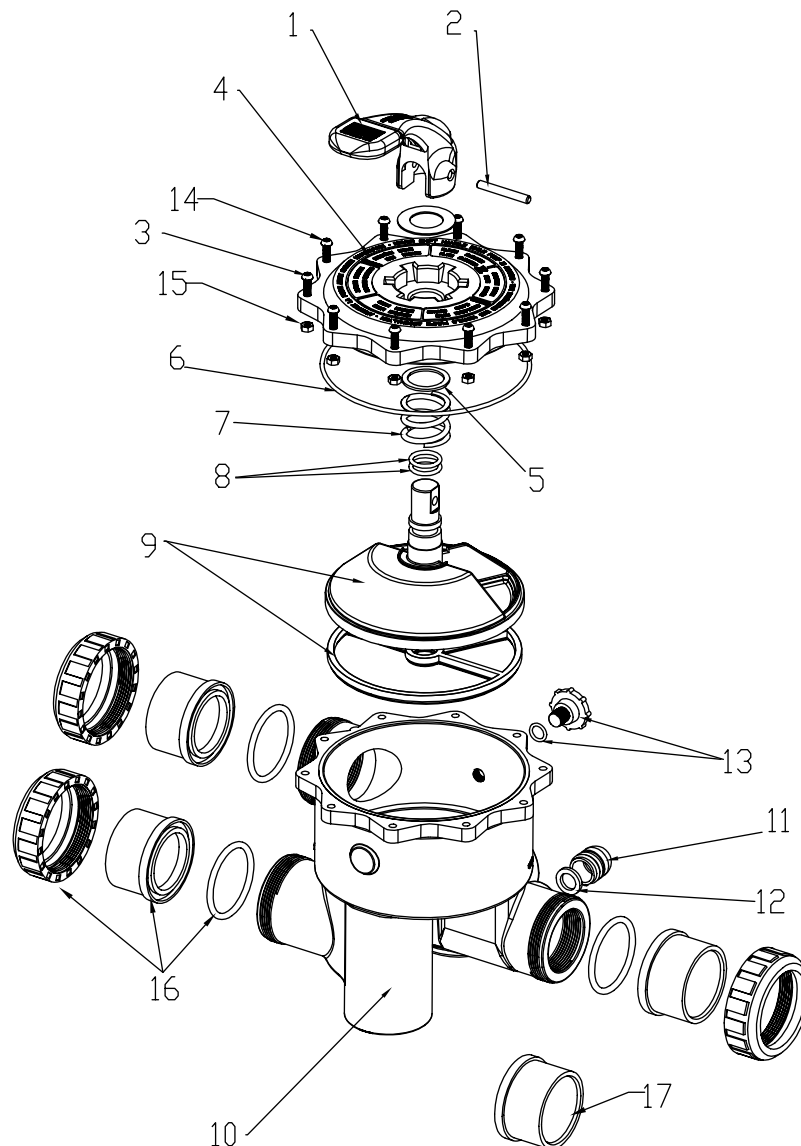


# MULTIPORT VALVES

## - 50mm SM SF INT/Thread MK2 22905130

4 Bar - Suits Micron S Filters

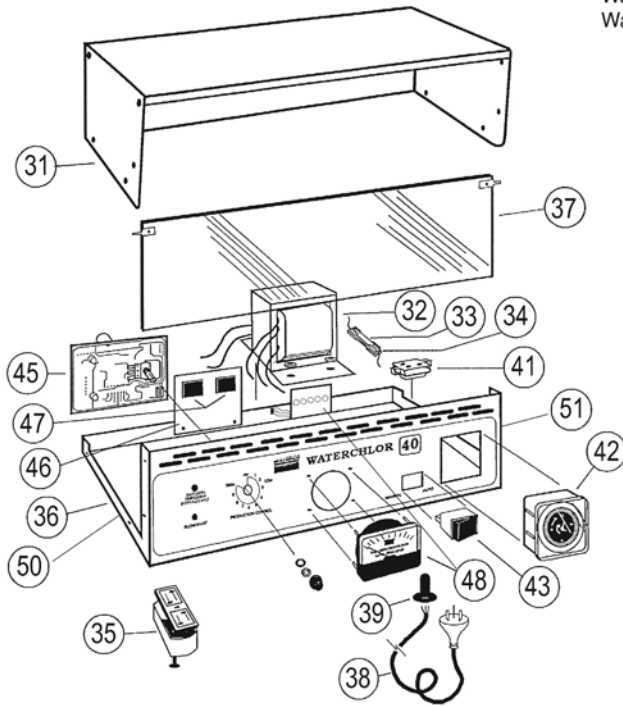
Part Number	Product Description	Diagram Number	List Price	Price Inc Gst
6214511	MPV 40/50/65mm Handle Waterco Extron	1	53.00	60.95
621111	MPV 40mm(K) 50mm (W) Handle Pin	2	10.30	11.85
621105	MPV 50mm Rotor Washer Big W	3	3.00	3.45
6211303	Lid MPV 50mm MK2 PP Wco	4	100.00	115.00
W02628	MPV 50mm Rotor Washer Sml W	5		
621151	MPV 50mm Top Oring W	6		
621181	MPV 50mm Spring W	7	58.00	66.70
621201	MPV 50mm Valve Axle Oring (L) (req's x 2)	8	4.30	4.95
621236	Rotor & Gasket MPV 50mm MK2 WCO (55 Shore A Spider Gasket)	9	138.00	158.70
621237	MPV 50mm MK2 Rotor & Gasket NSF (70 Shore A Spider Gasket 4 Bar Rating)	9	81.50	93.73
W22657	MPV SM 50mm Body SF Int THR MK2	10		
621381	MPV 50mm Sight Glass	11	42.20	48.53
621341	MPV 50mm Sight Glass Gasket	12	14.30	16.45
620221	Air Relief Valve New Style Black	13	13.80	15.87
W12109	MPV 50/65/80mm Lid Bolt M6x32W (req's x 10)	14		
62135	MPV 50mm Lid Nut M6x30 W (req's x 10)	15	37.60	43.24
634024B	Half Union 50mm W/O'Ring (2 required) - Black W02081BLK - B/U P/End Slip/Slip 50mm Black W02083BLK - B/U Locking Nut 50mm Black W02280 - Oring 50mm B/U Nitrile	16	25.80	29.67
6340244B	B/U Plain End Slip/Slip 63mm Metric Black (req's x 3)			



# WATERCHLOR CHLORINATORS

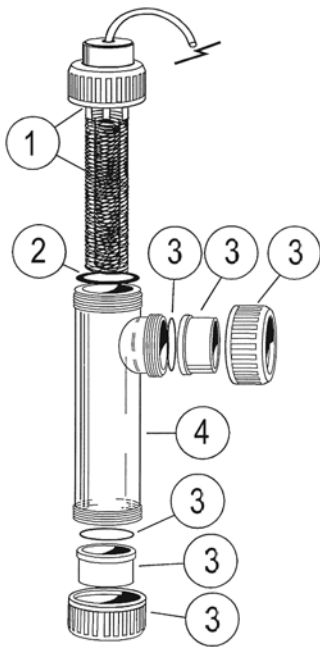
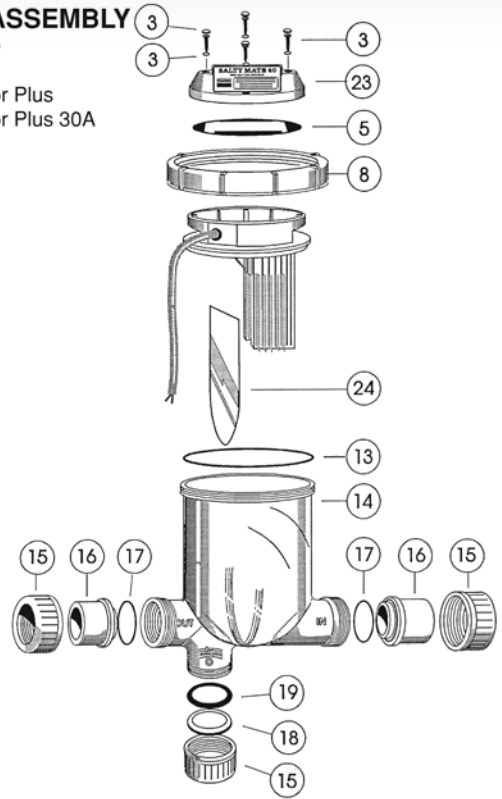
Part Number	Product Description	Diagram Number	List Price	Price Inc Gst
<b>WATERCHLOR 20Amp (same as Waterchlor 26)</b>				
64113	Transformer	32	560.00	644.00
64428611	20A & 26 Electrode Assembly	1	1,050.00	1,207.50
<b>WATERCHLOR 30Amp (same as Waterchlor 40)</b>				
64116	Transformer	32	1,000.00	1,150.00
64428511	30A & 40 Electrode Assembly	1	1,200.00	1,380.00
<b>WATERCHLOR PLUS 30 (also 40 &amp; 26)</b>				
64116	Transformer	32	1,000.00	1,150.00
64428511	Waterchlor Plus 30 Cell & Electrode Assembly	25	1,200.00	1,380.00
64479	Union Tail O Ring	17	4.40	5.06
<b>WATERCHLOR PLUS 30 SC (SELF CLEAN)</b>				
64116	Transformer	32	1,000.00	1,150.00
64501	S.C.R. (4 required)	47	67.00	77.05
ACL031	Cell Housing & Electrode Complete	1	1,700.00	1,955.00
AXCLO31	Cell Assembly Only	2	1,600.00	1,840.00
A69215	Cell O Ring	5	5.70	6.56
12555	50/40 Reducing Bush	4	7.30	8.40
<b>WATERCHLOR COMMON PARTS</b>				
64128	Junction Box	35	48.40	55.66
64134	240V Power Lead and Plug	38	34.30	39.45
64135	5 Amp Fuse	33	5.40	6.21
64405	3 Pin Pump Socket	41	56.50	64.98
644073	Timer Bracket		125.00	143.75
644074	Timer Cover		18.20	20.93
6440811	Time Clock (Battery Back Up)		510.00	586.50
64492	Power Cord Sealing Gland	39	3.20	3.68
64501	S.C.R. (Each)	47	67.00	77.05
634024B	Half Union 50mm W/O'Ring (2 required) - Black	3	25.80	29.67
6340241	Union O Ring 50mm	3	5.80	6.67
644331	Cell Body	4	145.00	166.75
644771	Cell O Ring	2	25.00	28.75
64486	Cradle		25.10	28.87
<b>WATERCHLOR 30Amp (same as Waterchlor 40)</b>				
644996	Power Pack	51		

# WATERCHLOR CHLORINATORS (continue)



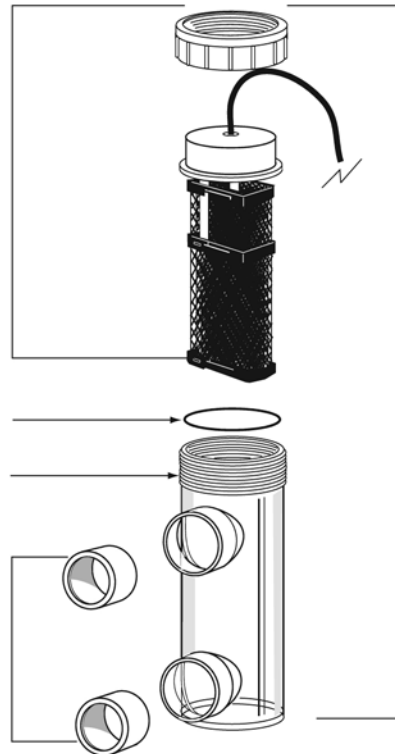
## CELL ASSEMBLY

Saltymate  
Salty S  
Waterchlor Plus  
Waterchlor Plus 30A



## CELL ASSEMBLY

Models:  
Salty S  
Waterchlor 30A, 40, 20A & 26



## CELL ASSEMBLY

Models:  
Waterchlor Plus 30A S.C. (Self Clean)



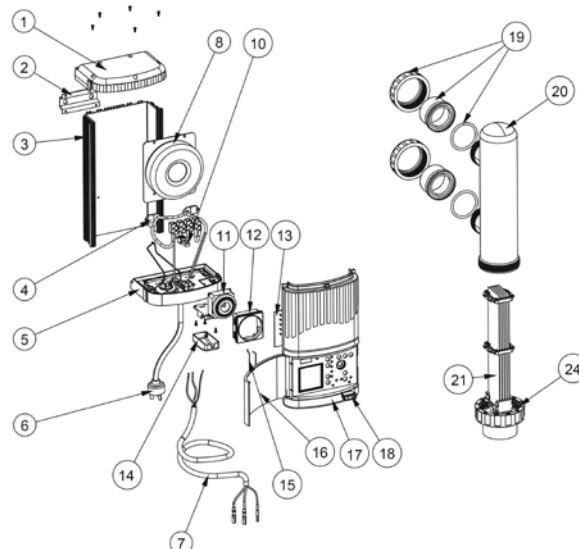
# ELECTROCHLOR 20A, 30A, 20A SC, 30A SC, 25A SC

Product Code: 251265, 251405, 2514042, 2514036, 2514037

Part Number	Product Description	Diagram Number	List Price	Price Inc Gst
644023	Chlorinator P/P Top Housing	1	79.00	90.85
6440713	Mounting Bracket	2	47.70	54.86
6440710	Heatsink Power Pack	3	114.00	131.10
64501B	SCR Assembly 20A & 30A	4	330.00	379.50
64501A	SCR Assembly 20A SC & 30A SC	4	410.00	471.50
644024	Chlorinator P/P Bottom Housing	5	89.50	102.93
644915	Cell Lead Assembly	7	196.00	225.40
641162	Toroidal Transformer 20A	8	495.00	569.25
641160	Toroidal Transformer 25A and 30A	8	610.00	701.50
63406554	O'Ring BS338 H/Union 65mm	24	4.30	4.95
641321	3.5 AMP fuse	10	5.00	5.75
644072	Timer Only Electrochlor	11	305.00	350.75
644073	Bracket for Timer	12	125.00	143.75
645083	PC Board 20A/25A/30A	13	435.00	500.25
645075	PC Board 20A SC/25A SC/ 30A SC	13	455.00	523.25
64128	Junction Box (Suits All)	14	48.40	55.66
6440250	Spring Housing Window Top	15	2.50	2.88
6440251	Spring Housing Window Botom	15	2.50	2.88
644025	Chlorinator Power Pack Window	16	12.70	14.61
644022	Chlorinator Power Pack Platic Body	17	167.00	192.05
644084	Manual/OFF/Auto switch	18	28.50	32.78
634024B	Half Union 50mm W/O'Ring (2 required) - Black	19	25.80	29.67
644510	Cell Housing 30A SC MK2	20	155.00	178.25
644509	Cell Housing 20 & 25A SC MK2	20	138.00	158.70
644331	Cell Body (Suits 20A & 30A)	20	145.00	166.75
64428512	Cell Plates Assembly 30A SC MK2	21	1,300.00	1,495.00
64428612	Cell Plates Assembly 25A SC MK2	21	1,150.00	1,322.50
64428613	Cell Plates Assembly 20A SC MK2	21	990.00	1,138.50
64428611	Cell Electrode Assembly 20A	21	1,050.00	1,207.50
64428511	Cell Electrode Assembly 30A	21	1,200.00	1,380.00
644954	Electrochlor Cell Assembly Complete With Housing (20A)	22	1,300.00	1,495.00
644953	Electrochlor Cell Assembly Complete with Housing (30A)	22	1,450.00	1,667.50
644959	Cell & Housing Assembly 30A SC MK2	22	1,450.00	1,667.50
644958	Cell & Housing Assembly 25A SC MK2	22	1,250.00	1,437.50
644956	Cell & Housing Assembly 20A SC MK2	22	1,100.00	1,265.00
645002	Electrochlor Power Pack (30A) analogue	23	2,250.00	2,587.50
645003	Electrochlor Power Pack (20A) analogue	23	2,250.00	2,587.50
645004	Electrochlor Power Pack (20A SC)	23	2,250.00	2,587.50
6450025	Electrochlor Power Pack (25A SC)	23	1,600.00	1,840.00
645001	Electrochlor Power Pack (30A SC)	23	2,250.00	2,587.50
63406551BLK	B/UNION LOCK NUT 65MM BLACK	24	9.60	11.04
641360	Fuse Holder		47.50	54.62
644512	Chlorinator Cell Terminal Cap		12.90	14.84
6450821	Current Sensing Harness		76.00	87.40

For Earlier Models

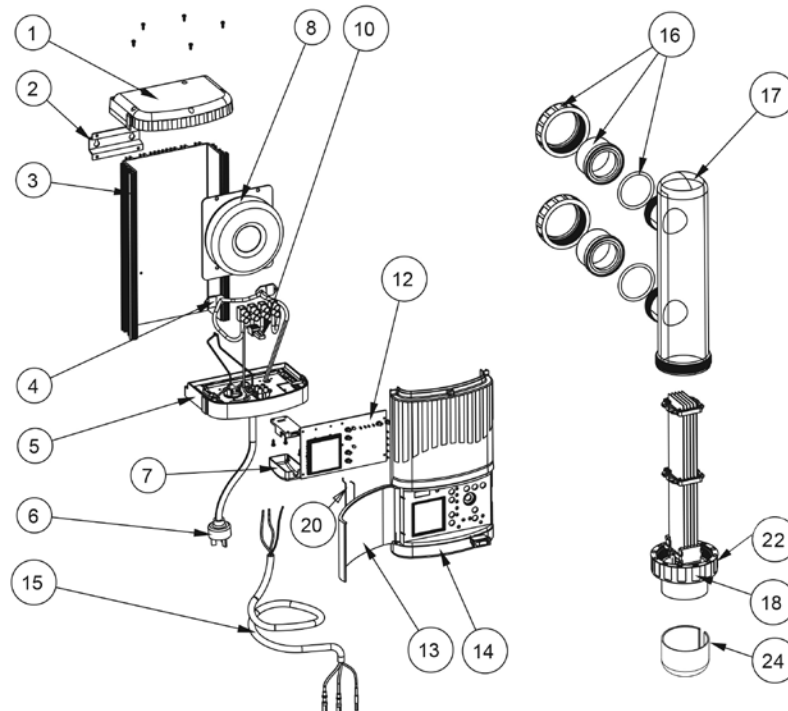
ACL030	Electrochlor Cell Assemby Complete with Housing (20A SC)	1A	1,600.00	1,840.00
ACL031	Electrochlor Cell Assemby Complete with Housing (30A SC)	1A	1,700.00	1,955.00
AXCL030	Electrochlor Electrode & Head Assembly (20A SC)	2A	1,500.00	1,725.00
AXCL031	Electrochlor Electrode & Head Assembly (30A SC)	2A	1,600.00	1,840.00



# ELECTROCHLOR LCD 20A, 20A SC, 25SC, 30A SC

Product Code: 2512637, 2512636, 2514034, 2512638

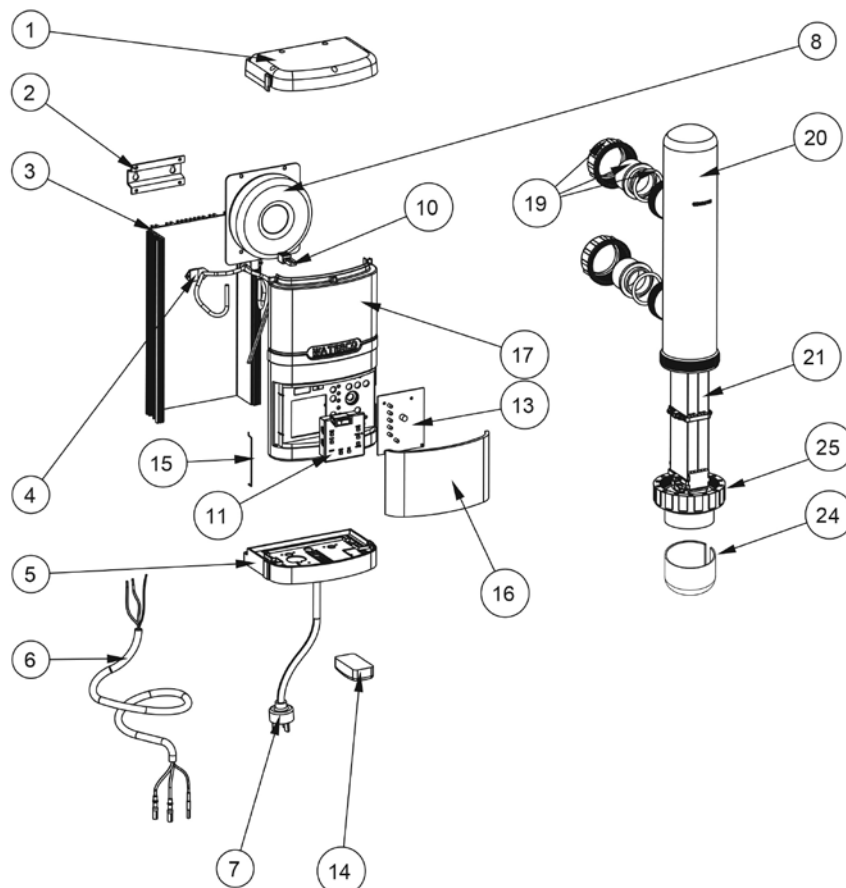
Part Number	Product Description	Diagram Number	List Price	Price Inc Gst
6440713	Mounting Bracket	2	47.70	54.86
6440710	Heatsink Power Pack	3	114.00	131.10
64501A	SCR Assembly 20A SC & 30A SC	4	410.00	471.50
64501B	SCR Assembly 25A SC		330.00	379.50
644024	Chlorinator P/P Bottom Housing	5	89.50	102.93
64128	Junction Box (Suits All)	7	48.40	55.66
641162	Toroidal Transformer 20A	8	495.00	569.25
641160	Toroidal Transformer 25A and 30A	8	610.00	701.50
641321	3.5 AMP fuse	10	5.00	5.75
6450755	PCB - LCD SC 167x100mm	12	435.00	500.25
644025	Chlorinator Power Pack Window	13	12.70	14.61
644022	Chlorinator Power Pack Plastic Body	14	167.00	192.05
644915	Cell Lead Assembly	15	196.00	225.40
634024B	Half Union 50mm W/O'Ring (2 required) - Black	16	25.80	29.67
644510	Cell Housing 30A SC MK2	17	155.00	178.25
644509	Cell Housing 20 & 25A SC MK2	17	138.00	158.70
64428613	Cell Plates Assembly 20A Self Clean MK2	18	990.00	1,138.50
64428612	Cell Plates Assembly 25A SC MK2	18	1,150.00	1,322.50
64428512	Cell Plates Assembly 30A SC MK2	18	1,300.00	1,495.00
644956	Cell & Housing Assembly 20A Self Clean MK2	19	1,100.00	1,265.00
644958	Cell & Housing Assembly 25A SC MK2	19	1,250.00	1,437.50
644959	Cell & Housing Assembly 30A SC MK2	19	1,450.00	1,667.50
6440250	Spring Housing Window Top	20	2.50	2.88
6440251	Spring Housing Window Bottom	20	2.50	2.88
6450042	Electrochlor 20A LCD S C Power Pack	21	1,450.00	1,667.50
6450011	Electrochlor 30A LCD S C Power Pack	21	1,700.00	1,955.00
6450040	Electrochlor 25A LCD Standard Power Pack	21	1,600.00	1,840.00
6450757	PCB - LCD Replacement with rechargeable battery back up	N/S	435.00	500.25
641360	Fuse Holder (20x5mm)		47.50	54.62
644512	Chlorinator Cell Terminal Cap		12.90	14.84
641321	Fuse 3.15A Slow 20mm		5.00	5.75
6440261	Battery Enclosure Kit		20.30	23.35
645090	Battery Nimh AAA 1.2V 900MAH N		9.80	11.27
6450821	Current Sensing Harness		76.00	87.40
6450755	PCB - LCD Electrochlor		435.00	500.25
63406551BLK	B/Union Lock Nut 65mm Black	22	9.60	11.04
644512	Cell Terminal Cap	24	12.90	14.84
63406554	O Ring Half Union 65mm	25	4.30	4.95



# HYDROCHLOR 20A SC, 25A SC & 30A SC

Product Code: 2514020, 2514025 & 2514030

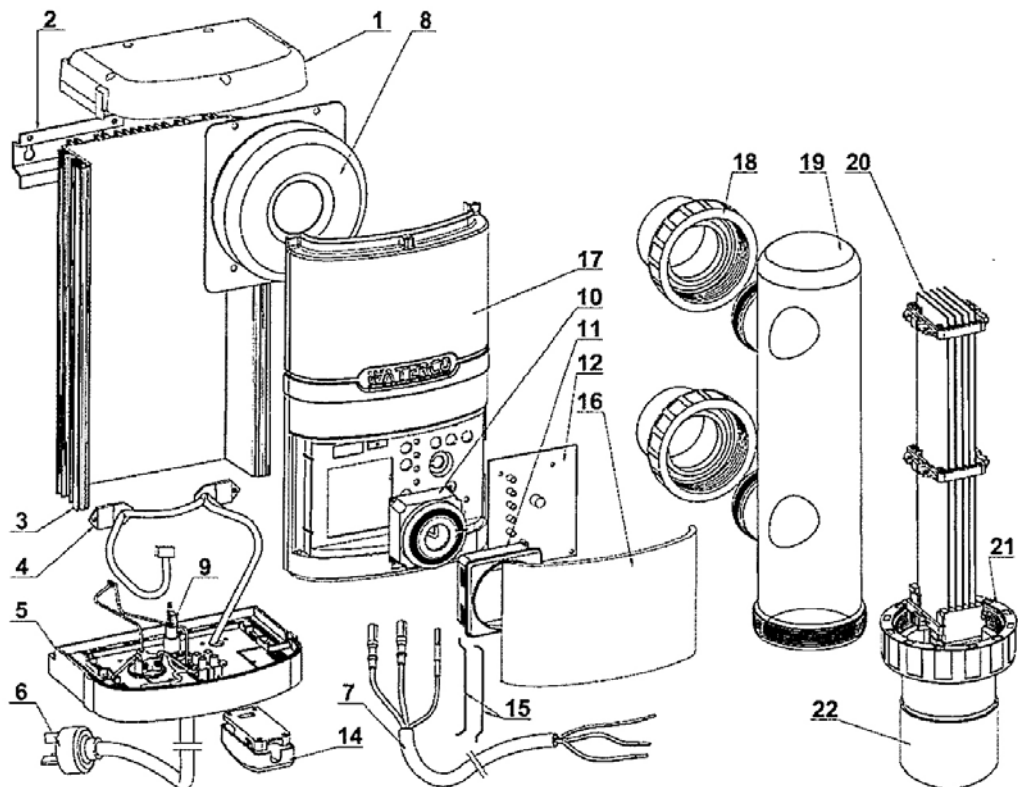
Part Number	Product Description	Diagram Number	List Price	Price Inc Gst
6440232	Hydrochlor P/PAK Top	1	75.00	86.25
6440713	Mounting Bracket	2	47.70	54.86
6440710	Heatsink Power Pack	3	114.00	131.10
64501A	SCR Assembly 20A SC - 30A SC	4	410.00	471.50
644024	Chlorinator P/P Bottom Housing	5	89.50	102.93
644915	Cell Lead Assembly	6	196.00	225.40
64134	Mains Lead 10A 240V	7	34.30	39.45
641162	Toroidal Transformer 250VA 240V/8.5V	8	495.00	569.25
641160	Toroidal Transformer 400VA 240V/8V	8	610.00	701.50
6440723	Timer w/o Battery Back-up	10	159.00	182.85
6440813	24 Hour Timer Hydrochlor	11	244.00	280.60
6450756	PC Board SC Hydrochlor 105x85mm	13	435.00	500.25
64128	Junction Box (suits all)	14	48.40	55.66
6440250	Spring Housing Window Top	15	2.50	2.88
6440251	Spring Housing Window Bottom	15	2.50	2.88
644025	Chlorinator P/P Housing Window	16	12.70	14.61
6440222	Hydrochlor P/Pk Front	17	159.00	182.85
634024B	Half Union 50mm W/O'Ring (2 required) - Black	19	25.80	29.67
644509	Cell Housing 20A, 25A & 30A	20	138.00	158.70
64428614	Cell Plates Ass'y Hydrochlor 20A SC	21	820.00	943.00
64428615	Cell Plates Ass'y Hydrochlor 25A SC	21	980.00	1,127.00
64428616	Cell Plates Ass'y Hydrochlor 30A SC	21	1,100.00	1,265.00
6449620	Cell & Housing Ass'y Hydrochlor 20A SC	22	950.00	1,092.50
6449625	Cell & Housing Ass'y Hydrochlor 25A SC	22	1,100.00	1,265.00
6449630	Cell & Housing Ass'y Hydrochlor 30A SC	22	1,250.00	1,437.50
6450020	Hydrochlor 20A SC Power Pack	23	1,250.00	1,437.50
6450026	Hydrochlor 25A SC Power Pack	23	1,350.00	1,552.50
6450030	Hydrochlor 30A SC Power Pack	23	1,450.00	1,667.50
6450821	Current Sensing Harness		76.00	87.40
641360	Fuse Holder 20x5mm		47.50	54.62
644512	Cell Terminal Cap	24	12.90	14.84
63406551BLK	B/Union Lock Nut 65mm Black	25	9.60	11.04



# HYDROCHLOR TS, 20A SC, 25A SC & 30A SC

Product Code: 2514021, 2514026 & 2514031

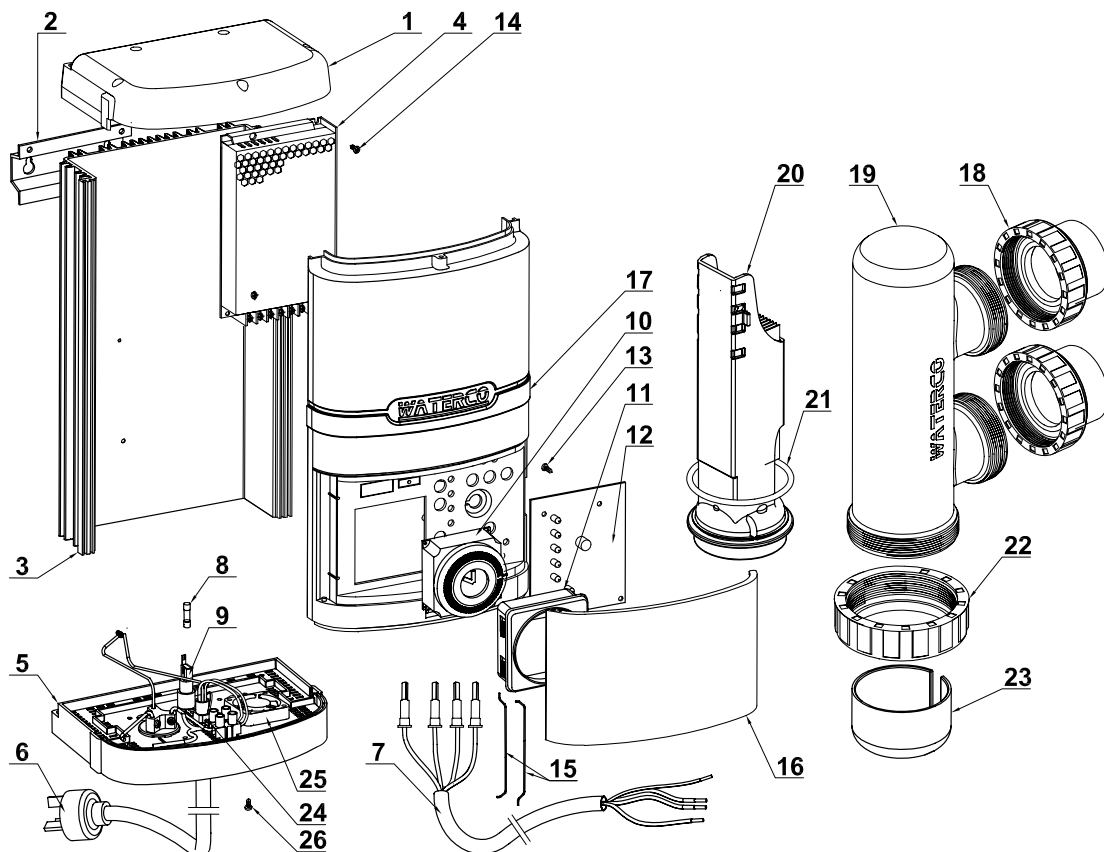
Part Number	Product Description	Diagram Number	List Price	Price Inc Gst
6440232	Hydrochlor P/PAK Top	1	75.00	86.25
6440713	Mounting Bracket	2	47.70	54.86
6440710	Heatsink Power Pack	3	114.00	131.10
64501A	SCR Assembly 20A SC - 30A SC	4	410.00	471.50
644024	Chlorinator P/P Bottom Housing	5	89.50	102.93
64134	Mains Lead 10A 240V	6	34.30	39.45
644915	Cell Lead Assembly	7	196.00	225.40
641162	Toroidal Transformer 250VA 240V/8.5V	8	495.00	569.25
641160	Toroidal Transformer 400VA 240V/8V	8	610.00	701.50
641321	Fuse 3.15A Slow 20mm	9	5.00	5.75
6440720	TIME SWITCH MODULE 24H W/BATTERY BACKUP	10	293.00	336.95
644073	BRACKET FOR TIMER	11	125.00	143.75
6450756	PC Board SC Hydrochlor	12	435.00	500.25
64128	Junction Box (suits all)	14	48.40	55.66
6440250	Spring Housing Window Top	15	2.50	2.88
6440251	Spring Housing Window Bottom	15	2.50	2.88
644025	Chlorinator P/P Housing Window	16	12.70	14.61
6440222	Hydrochlor P/Pk Front	17	159.00	182.85
634024B	Half Union 50mm W/O'Ring (2 required) - Black	18	25.80	29.67
644509	Cell Housing 20A, 25A & 30A	19	138.00	158.70
64428614	Cell Plates Ass'y Hydrochlor 20A SC	20	820.00	943.00
64428615	Cell Plates Ass'y Hydrochlor 25A SC	20	980.00	1,127.00
64428616	Cell Plates Ass'y Hydrochlor 30A SC	20	1,100.00	1,265.00
6340655IBLK	H/U Lock Nut 65mm	21	9.60	11.04
6449620	Cell & Housing Ass'y Hydrochlor 20A SC		950.00	1,092.50
6449625	Cell & Housing Ass'y Hydrochlor 25A SC		1,100.00	1,265.00
6449630	Cell & Housing Ass'y Hydrochlor 30A SC		1,250.00	1,437.50
6450021	Hydrochlor TS 20A Power Pack		2,000.00	2,300.00
6450027	Hydrochlor TS 25A Power Pack		2,100.00	2,415.00
6450031	Hydrochlor TS 30A Power Pack		2,100.00	2,415.00
6450821	Current Sensing Harness		76.00	87.40
644512	Chlorinator Cell Terminal Cap	22	12.90	14.84



# HYDROCHLOR MKIII CHLORINATOR 2000, 2500, 3000

Product Code: 25140120/25140125/2540130

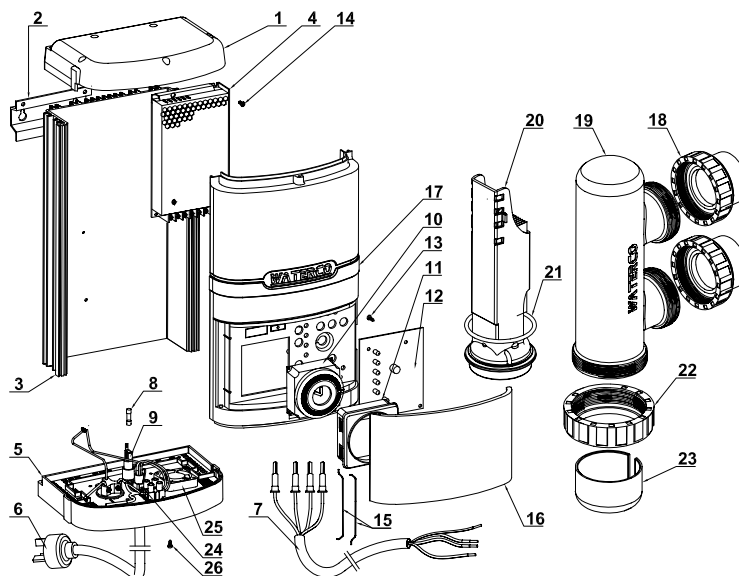
Part Number	Product Description	Diagram Number	List Price	Price Inc Gst
6440232	Hydrochlor P/PAK Top	1	75.00	86.25
6440713	Mounting Bracket	2	47.70	54.86
6440710	Heatsink Power Pack	3	114.00	131.10
641188	SM Power Supply RSP150-24PO Tuned (Mty date Mar 2023 or later)		241.00	277.15
641181	SM Power Supply LRS 15-24 (Mty date Pre-March 2023)	4	222.00	255.30
644024	Chlorinator P/P Bottom Housing (Mty date Pre-March 2023)	5	89.50	102.93
6440236	Hydrochlor Bottom Cover 8A C/B (Mty date Mar 2023 or later)		26.20	30.13
64134	Mains Lead 10A 240V	6	34.30	39.45
644917	Lead Ass'y SMP Chlorinator	7	121.00	139.15
641321	Fuse 3.15A Slow 20mm (Mty date Pre-March 2023)	8	5.00	5.75
	For units, Mfy date - Mar 2023 or later, fuse is not required			
641360	Fuse Holder 20 x 5 mm (Mty date Pre-March 2023)	9	47.50	54.62
6411324	8A Circuit Breaker T9-311C-8 (Mty date Mar 2023 or later)		20.30	23.35
6440723	Timer for Chlorinator W/Battery Backup	10	159.00	182.85
644073	BRACKET FOR TIMER	11	125.00	143.75
641187	PCB SMP Chlorinator Control	12	300.67	345.80
63612640	Screw 4Gx1/4 PXR 304	12		
6440251	Spring Housing Window Bottom	15	2.50	2.88
6440250	Spring Housing Window Top	15	2.50	2.88
644025	Chloe P/P Housing Window	16	12.70	14.61
6440222	Hydrochlor P/Pack Front	17	159.00	182.85
634024B	Half Union 50mm W/O'Ring (2 required) - Black	18	25.80	29.67
644509	Cell Housing 20A, 25A & 30A	19	138.00	158.70
85529	O'ring 85x5	21	8.50	9.78
63406551BLK	H/U Lock Nut 65mm Black	22	9.60	11.04
644513	Chlorinator Series Cell Term Cap	23	7.30	8.40
S123811	Cord Grip Heyco 1214	24	2.40	2.76
644086	Fan 12v DC RS4010S12H	25	26.90	30.94
72511884	Screw 6Gx1/2" Pan PH HD ST	26	0.40	0.46
64428720	Cell Plates Assy 2000 Standard		475.00	546.25
64428725	Cell Plates Assy 2500 Standard		560.00	644.00
64428730	Cell Plates Assy 3000 Standard		700.00	805.00
64428820	Cell Plates Assy 2000 Premium		570.00	655.50
64428825	Cell Plates Assy 2500 Premium		700.00	805.00
64428830	Cell Plates Assy 3000 Premium		870.00	1,000.50



# HYDROCHLOR ST CHLORINATOR

Product Code: 25143120, 25143125, 25143130

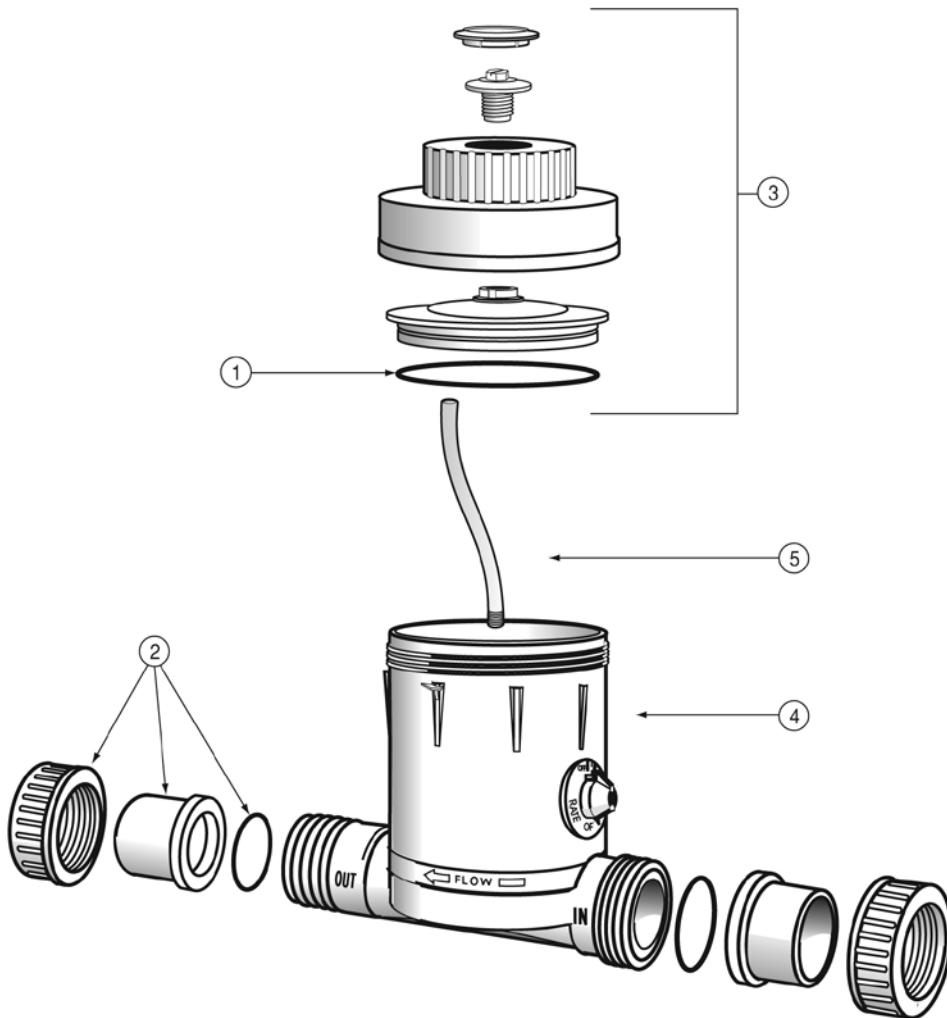
Part Number	Product Description	Diagram Number	List Price	Price Inc Gst
6440232	Hydrochlor P/Pack Top	1	75.00	86.25
6440713	Mounting Bracket	2	47.70	54.86
6440710	Heatsink Power Pack	3	114.00	131.10
641181	SM Power Supply LRS 15-24 (Mty date Pre-March 2023)	4	222.00	255.30
641188	SM Power Supply RSP150-24PO Tuned (Mty date Mar 2023 or later)		241.00	277.15
644024	Chlorinator P/P Bottom Housing (Mty date Pre-March 2023)	5	89.50	102.93
6440236	Hydrochlor Bottom Cover 8A C/B (Mty date Mar 2023 or later)		26.20	30.13
64134	Mains Lead 10A 240V 1	6	34.30	39.45
644917	Lead Ass'v SMP Chlorinator	7	121.00	139.15
641321	Fuse 3.15A Slow 20mm (Mty date Pre-March 2023)	8	5.00	5.75
	For units, Mfy date - Mar 2023 or later, fuse is not required			
641360	Fuse Holder 20 x 5 mm (Mty date Pre-March 2023)	9	47.50	54.62
6411324	8A Circuit Breaker T9-311C-8 (Mty date Mar 2023 or later)		20.30	23.35
644073	Bracket For Timer	11	125.00	143.75
641187	PCB SMP Chlorinator Control	12	FALSE	0.00
63612640	Screw 4Gx1/4 PXR 304	13		
829202	6Gx3/8 S/TAP ZP	14	0.30	0.35
6440251	Spring Housing Window Bottom	15	2.50	2.88
6440250	Spring Housing Window Top	15	2.50	2.88
644025	Chloe P/P Housing Window	16	12.70	14.61
6440222	Hydrochlor P/Pack Front	17	159.00	182.85
634024B	50mm H/Union w/O'ring Black	18	25.80	29.67
644509	Cell Housing 25A Waterco	19	138.00	158.70
85529	O'ring 85 x 5	21	8.50	9.78
63406551BLK	H/U Lock Nut 65mm Black	22	9.60	11.04
644513	Chlorinator Series Cell Term Cap	23	7.30	8.40
S123811	Cord Grip Heyco 1214	24	2.40	2.76
644086	FAN 12V DC RS4010S12H	25	26.90	30.94
72511884	SCREW 6Gx1/2" PAN PH HD ST	26	0.40	0.46
64428720	Cell Plates Assy 2000 Standard		475.00	546.25
64428725	Cell Plates Assy 2500 Standard		560.00	644.00
64428730	Cell Plates Assy 3000 Standard		700.00	805.00
64428820	Cell Plates Assy 2000 Premium		570.00	655.50
64428825	Cell Plates Assy 2500 Premium		700.00	805.00
64428830	Cell Plates Assy 3000 Premium		870.00	1,000.50
6450134	Hydrochlor ST Power Pack		1,150.00	1,322.50
641181	SM Power Supply LRS 15-24		222.00	255.30
641188	SM POWER SUPPLY RSP150-24PO TUNED		241.00	277.15
644024	Chlorinator P/P Bottom Housing		89.50	102.93
6440236	HYDROCHLOR BOTTOM COVER 8A C/B		26.20	30.13
641321	Fuse 3.15A Slow 20mm		5.00	5.75
641360	Fuse Holder 20 x 5 mm		47.50	54.62
6411324	CIRCUIT BREAKER P/MOUNT 8A 240VAC T9-311C-8		20.30	23.35
6440720	Time Switch Module 24h W/Battery Backup		293.00	336.95
6440723	Timer w/o Battery Back-up		159.00	182.85
S1120815	Screw 4Gx3/8" Phead SS		0.60	0.69
6450821	Harness Set Ass'y SMP H/Chl		76.00	87.40



# WATER KING

Product Code: 2512637, 2514040, 2512636, 2514034, 2512638

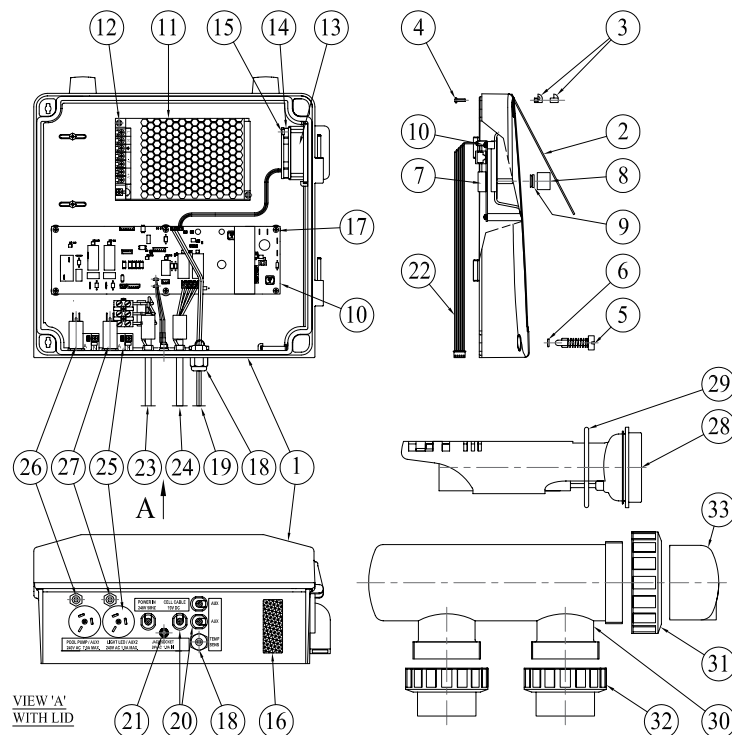
Part Number	Product Description	Diagram Number	List Price	Price Inc Gst
64100	Water King O Ring (Viton)	1	47.30	54.40
64101	Union c/w O Ring	2	41.10	47.27
S0614511	O Ring Half Union	2	4.30	4.95
64102	Lid c/w O Ring	3	188.00	216.20
595388	Center Stem	5	17.50	20.13



# ELECTROCHLOR MINERAL ECO

Product Code: 2515320, 2515325, 2515330

Part Number	Product Description	Diagram Number	List Price	Price Inc Gst
6381920	Enclosure Electorchlor Mineral	1	131.00	150.65
6381921	Lid Enclosure Mineral	34	124.00	142.60
6381923	Display Cover	2	8.30	9.55
6381924	Hinge Plug Lh & Rh	3	2.50	2.88
645441	(Q)M3 X 10 Panh Ph Z	4	0.50	0.58
6381934	Qtr Turn Key Short W/Spring	5	8.00	9.20
82444204	Oring	6	4.30	4.95
641185	Function Ctrl Pcb W/Graphics	7	540.00	621.00
6381932	Knob E/Chlor Hinged	8	1.80	2.07
6381933	V-6-A Nbr V	9	2.20	2.53
63400833	Screw 4Gx3/8" Pan Head S	10	1.10	1.27
641181	Sm Power Supply	11	222.00	255.30
63414277	Screw M3x6mm SS316	12	0.00	
6381930	Fan Adaptor W/Insect	13	39.20	45.08
644087	Fan 12V Dc 0.11A 60Mm Rs60010S	14	39.20	45.08
S1224715	Screw 4G X 5/8" Ph	15	1.70	1.96
6381929	Inlet Insect	16	3.00	3.45
641182	Smps Chlorinator Output	17	500.00	575.00
650152	Ip68 Cable Gland 4-8 Mm	18	5.20	5.98
85172	Pool Probe A/Master Pc4&	19	72.00	82.80
S123811	Cord Grip	20	2.40	2.76
644089	Jack W/Harness	21	19.00	21.85
6381954	Harness Display Lcd To	22	23.10	26.57
64134	Mains Lead Ass'y 10A/240V W	23	34.30	39.45
644917	Lead Assembly Smp	24	121.00	139.15
82248005	Plug Socket 10A	25	33.40	38.41
641322	Circuit Breaker Panel Mount 10A	26	15.60	17.94
641328	Circuit Breaker P/Mount 3A 240Vac	27	24.20	27.83
85529	Oring 85X5 - Housing	29	8.50	9.78
644509	Cell Housing 25A	30	138.00	158.70
63406551BLK	B/Union Lock Nut 65Mm	31	9.60	11.04
6340204B	50mmH/U w/O ring Black	32	0.00	
644513	Chlorinator Series Cell Terminals	33	7.30	8.40
86172	Gulf Stream		0.70	0.81
64428720	Cell Plates Assy 2000 Standard		475.00	546.25
64428725	Cell Plates Assy 2500 Standard		560.00	644.00
64428730	Cell Plates Assy 3000 Standard		700.00	805.00
64428820	Cell Plates Assy 2000 Premium		570.00	655.50
64428825	Cell Plates Assy 2500 Premium		700.00	805.00
64428830	Cell Plates Assy 3000 Premium		870.00	1,000.50
6449752	Cell Plates and Housing Low Salt		2,150.00	2,472.50



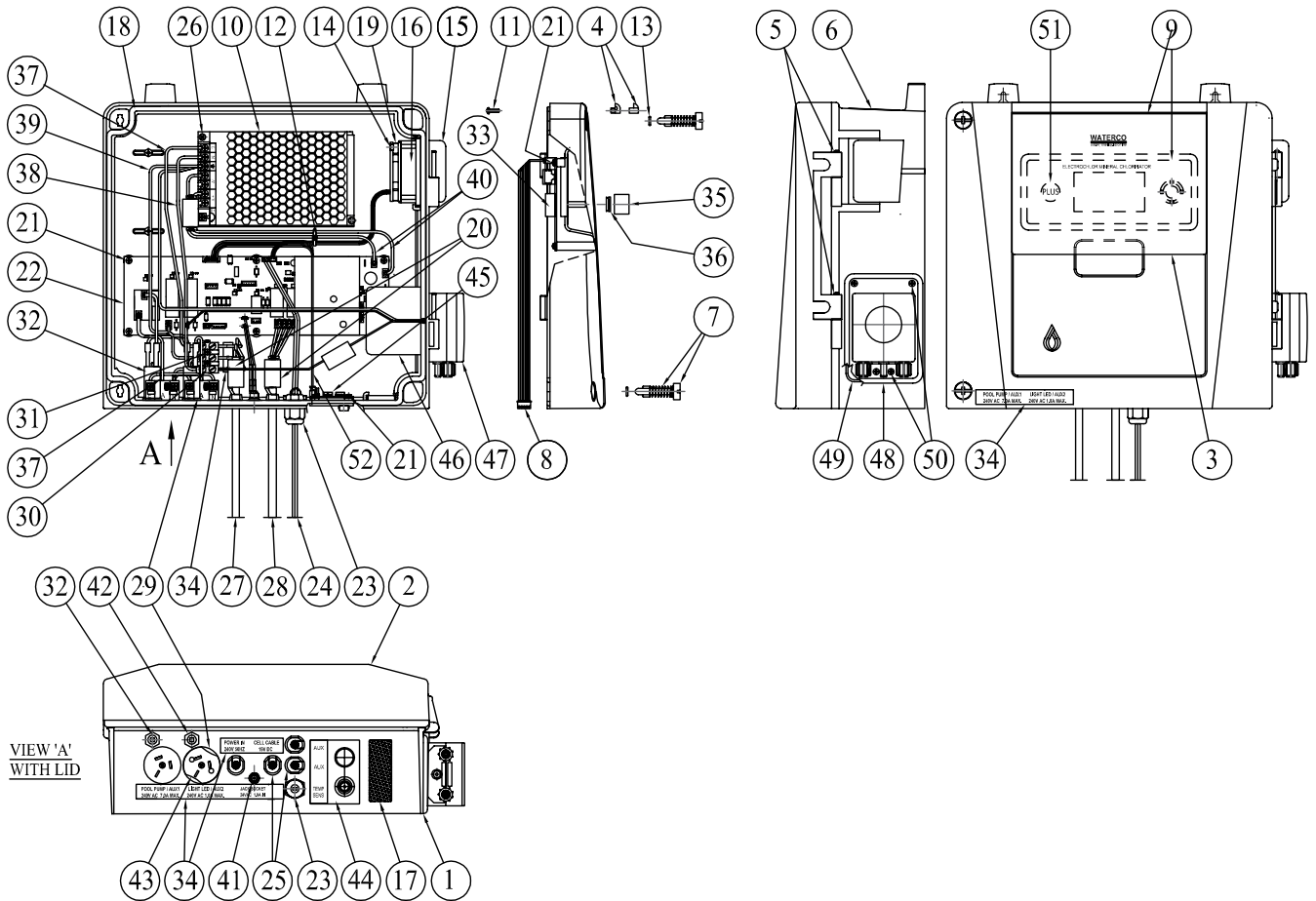


# ELECTROCHLOR MINERAL PLUS POWER PACK

Product Code: 6450137

Part Number	Product Description	Diagram Number	List Price	Price Inc Gst
6381922	Enclosure E/Chlor Mineral Plus	1	157.00	180.55
6381921	Lid Electrochlor Mineral	2	124.00	142.60
6381923	Display Cover Hinged	3	8.30	9.55
6381924	Hinge Plug LH & RH Set	4	2.50	2.88
6381925	E-Clip DIN6799 3.2mm SS	5	0.40	0.46
6381934	Qtr Turn Key Short W/Spring	7	8.00	9.20
6381954	Harness Display LCD To PCB	8	23.10	26.57
81900615	Overlay Set E/Chlor Mineral	9	55.50	63.83
641181	SM Power Supply LRS 150-24	10	222.00	255.30
645441	Screw M3x10mm PanH PH ZP	11	0.50	0.58
64603	Cble Tie 3" - H31800	12	0.30	0.35
82444204	O'Ring BS010	13	4.30	4.95
S1224715	Screw 4Gx5/8" Pan Head S/S	13	1.70	1.96
6381928	Exhaust Elbow	15	4.70	5.41
6381930	Fan Adaptor W/Insects Screen	16	39.20	45.08
6381929	Inlet Insect Screen	17	3.00	3.45
6381931	Enclosure Gasket	18	10.90	12.54
644087	Fan 12VDC 60mm RS60010 S12W	19	39.20	45.08
82443912	Ferrite Core ACME D28 RHC-158	20	3.70	4.26
63400833	Screw 4Gx3/8" Pan Head S/S	21	1.10	1.27
641182	SMPS Chlorinator Output Control	22	500.00	575.00
650152	Cable Gland 4-8mm Dia	23	5.20	5.98
85172	Pool Probe 3Mtr PC5/Aquamaster	24	72.00	82.80
S123811	Cord Grip Heyco 1214	25	2.40	2.76
63814277	Screw M3x6mm SS316	26	17.00	19.55
64134	Mains Lead 10A 240V	27	34.30	39.45
644917	Cell Lead Ass'y	28	121.00	139.15
82248005	Plug Socket 10A 3Pins	29	33.40	38.41
64514	Salty/SS Terminal Block	30	8.30	9.55
S1189215	Screw M3x16mm PH Z/P	31	0.30	0.35
641322	Circuit Braker PM 10A T9-311	32	15.60	17.94
641185	Function Ctrl PCB w/Graph LCD	33	540.00	621.00
8190037	Label Set E/Chlor Mineral	34	23.10	26.57
6381932	Knob	35	1.80	2.07
6381933	V-6-A NBR V-Ring	36	2.20	2.53
6381950	Active Wire Loom Assembly	37	32.40	37.26
6381951	Neutral Wire Loom Assembly	38	19.00	21.85
6381952	Earth Wire Loom Assembly	39	19.00	21.85
6381953	PCB to SMP Loom Assy	40	22.50	25.88
644089	Jack w/Harness 24VAC	41	19.00	21.85
641328	Circuit Braker P/M 3A 240VAC	42	24.20	27.83
6381935	Mount PH PCB	44	1.50	1.73
6381956	PH PCB W/BNC Connector	45	184.00	211.60
6381927	Enclosure Peristaltic Pump	46	10.60	12.19
60181022	Saier Peristaltic Pump 3L/HR	47	620.00	713.00
6381926	Mount Plate	48	10.60	12.19
6381938	Seal Mounting Plate	49	8.00	9.20
S128256	Screw S/Tap No 4 x 10mm	50	2.40	2.76
81900616	Circular Label 'PLUS'	51	0.70	0.81
6381955	Harness Display PH Unit To PCB	52	8.90	10.24
60121294	PH Probe		200.00	230.00
60137311	20x20MM Probe Nipple		15.80	18.17
72522814	Poly Reducing Bush 20x15 Threaded		3.20	3.68
72522815	Saddle Clamp 60x 3/4"		42.60	48.99
25950027	Black Tubing 6x4 20mtr Roll		114.00	131.10
60181002	Squeeze Tube with Holder Blue Kit		198.00	227.70
60181068	Squeeze Tube only pack of 10		252.00	289.80
60181067	Pump Housing Cover Type 9911		51.50	59.23
60181010	Rotor 47-13 Blue		212.00	243.80
60181013	Injection Valve %" 4x6 K&V Series		123.00	141.45

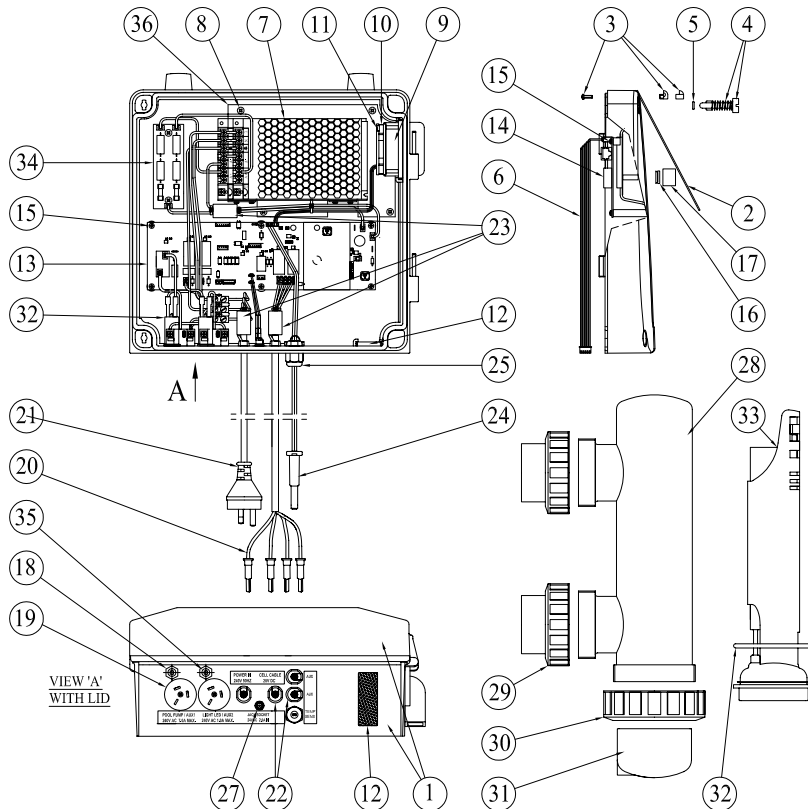
# ELECTROCHLOR MINERAL PLUS POWER PACK (continue)



# ELECTROCHLOR MINERAL PRO

Product Code: 2515140, 2515150

Part Number	Product Description	Diagram Number	List Price	Price Inc Gst
6381920	Enclosure Electorchlor Mineral	1	131.00	150.65
6381921	Lid Enclosure Mineral	36	124.00	142.60
6381923	Display Cover Hinged	2	8.30	9.55
63819240	Hinge Plug Set & Screws	3	0.00	
63819340	Qtr Turn Key w/Spring & O'ring	4	0.00	
82444204	O'ring BS010	5	4.30	4.95
6381954	Harness Display LCD To PCB	6	23.10	26.57
641181	SM Power Supply LRS 150-24	7	222.00	255.30
645441	Screw 8Gx13mm S/T1 SS304	8	0.50	0.58
6381930	Fan Adaptor w/Insects Screen	9	39.20	45.08
644087	Fan 12VDC 60mm RS60010 S12V r	10	39.20	45.08
72511884	Screw 6Gx1/2" PH SS	11	0.40	0.46
6381929	Inlet Insect Screen	12	3.00	3.45
641182	SMPS Chlorinator Output Control	13	500.00	575.00
641185	Function Ctrl PCB w/Graph LCD	14	540.00	621.00
63400833	Screw 4Gx3/8" Pan Head S/S	15	1.10	1.27
6381933	V-6-A NBR V-RING	16	2.20	2.53
6381932	Knob E/Chlor Hinged	17	1.80	2.07
641322	Circuit Braker PM 10A T9-311	18	15.60	17.94
82248005	Plug Socket 10A 3Pins	19	33.40	38.41
644917	Cell Lead Ass'y	20	121.00	139.15
64134	Mains Lead 10A 240V	21	34.30	39.45
S123811	Cord Grip Heyco 1214	22	2.40	2.76
82443912	Ferrite Core ACME D28 RHC-158	23	3.70	4.26
85172	Pool Probe 3Mtr PC5/Aquamaster	24	72.00	82.80
650152	Cable Gland 4-8mm Dia	25	5.20	5.98
644089	Jack w/Harness 24VAC	27	19.00	21.85
644510	Cell Housing 30A Waterco	28	155.00	178.25
634024B	50mm H/Union w/O'ring Black	29	25.80	29.67
63406551BLK	H/U Lock Nut 65mm Black	30	9.60	11.04
644513	Chlor.Series Cell Terminals Cap	31	7.30	8.40
85529	O'ring 85 x 5	32	8.50	9.78
64428650	Cell Plates Ass'y H/Chlor 5000	33	1,200.00	1,380.00
64428640	Cell Plates Ass'y H/Chlor 4000	33	1,100.00	1,265.00
641184	Resistor Balance PCB	34	74.00	85.10
641328	Circuit Braker P/M 3A 240VAC	35	24.20	27.83

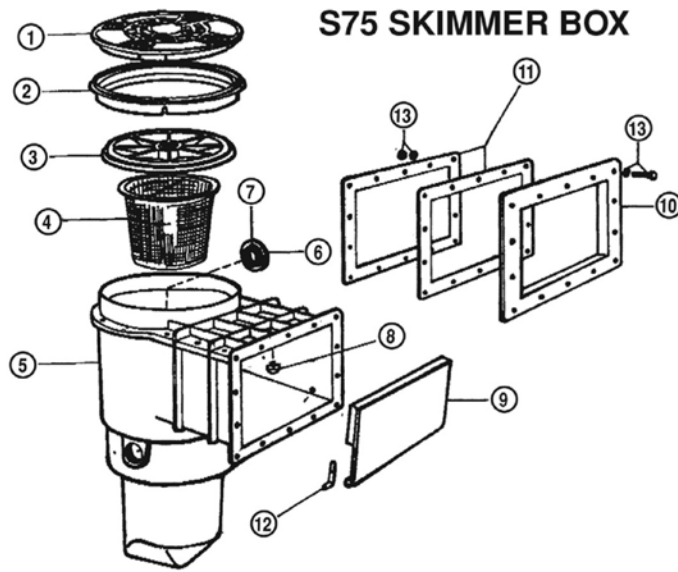


# SKIMMER BOXES - Waterco S75 / Supaskimmer / Fulflo

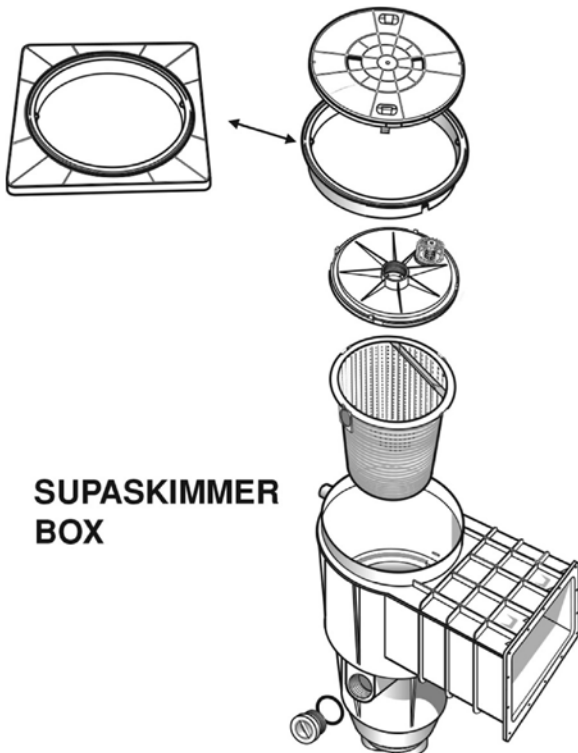
Part Number	Product Description	Diagram Number	List Price	Price Inc Gst
<b>Waterco S75</b>				
62411	Deck Lid - Beige (315mm)	1	128.00	147.20
62411S	Deck Lid - Beige (315mm)	1	161.00	185.15
624171S	Deck Lid MK2 (Suit Twist Lock Type) - Sandstone	1	142.00	163.30
624101	Commercial Dress Ring	2	138.00	158.70
62410	Dress Ring - Beige	2	114.00	131.10
62410S	Dress Ring - Beige	2	138.00	158.70
624181S	Square Dress Ring Twist Lock - Beige	2	67.00	77.05
6241920	Supaskimmer S75 T/Lock Rd Ring - Grey		117.00	134.55
62419	Round Dress Ring (Suit Lock Down Type)	2	114.00	131.10
624191S	Round Dress Ring Twist Lock - Beige	2	128.00	147.20
624105	Dress Ring Extension - 60mm	n/s	22.90	26.34
62408	Vacuum Plate (Suits Lock-Down & Press Fit Types) - 3 Lug (273mm)	3	108.00	124.20
624080	S75 Vac Plate 271.8mm	3	92.50	106.38
62468	S75 Vac Plate Oring (separate item available) (208mm, 3 x Raised Lugs)	3	27.50	31.63
62403	Leaf Basket (208mm) No Lugs	4	33.80	38.87
624032	Leaf Basket Lock Down Type (comes with skimmer)	4	33.80	38.87
62404	Plug 40mm	6	47.70	54.86
29260	Escutcheon Assembly Kit - White (C/W Gaskets & Long Screws)		81.00	93.15
292631	Escutcheon Kit Face Plate (14 x Screw Holes Req's (62444 x 14 & 29267 x 1)		32.30	37.15
62439	S75 Supaskimmer Escut. Clip		7.80	8.97
292600	Escutcheon Assembly Kit (Grey)		70.00	80.50
29264	Escutcheon Kit Template		3.10	3.57
29261	Gasket Set (2)	10	29.50	33.93
292631	Skimmer Face Plate MKII	11	32.30	37.15
62444	Stainless Steel Screw Each	13	3.00	3.45
29267	Screw Cap Set (14)		11.20	12.88
62416	Weir Door Stop	8	4.60	5.29
62407	Weir Door Assembly (comes with clips)	9	84.50	97.18
624120	Weir Door Clip	12	8.30	9.55
62468	Vacuum Plate & Skimtrol O'Ring		27.50	31.63
62438	Nutserts	18	3.20	3.68
62421	Skimmer Lintel		45.30	52.10
6340020	Nut & Bolt Kit for installation of Skimmer & Lintel, Multi Pack M6		11.40	13.11
624079	Supaskimmer S75 Weir Door Assy 6		75.00	86.25
624390	Supaskimmer S75 Escutcheon Clip 6		31.90	36.69
			0.00	
<b>SUPASKIMMER / FULFLO</b>				
			0.00	
62411	Deck Lid		128.00	147.20
62411S	Deck Lid - Beige		161.00	185.15
624171S	Deck Lid MK2 (Suit Twist Lock Type) - Beige		142.00	163.30
624111	Commercial Deck Lid		157.00	180.55
624173	Supaskimmer S75 T/Lock Deck Lid - Grey		134.00	154.10
624101	Commercial Dress Ring (GFABS)		138.00	158.70
62410	Dress Ring		114.00	131.10
62410S	Dress Ring - Beige		138.00	158.70
624181S	Square Dress Ring Twist Lock - Beige		67.00	77.05
62419	Round Dress Ring (Suit Lock Down Type)		114.00	131.10
624191S	Round Dress Ring Twist Lock - Beige		128.00	147.20
624105	Dress Ring Extension - 60mm		22.90	26.34
624024	Supaskimmer Leaf Basket (4 Lugs)		84.50	97.18
ASXM018	Handle Skimmer Basket		0.00	
624026	Supaskimmer Basket Sliding Plate		4.60	5.29
62402	Fulfo Leaf Basket (No Lugs)		52.00	59.80
624084	Supaskimmer Lock Down Vacuum Plate (4 lugs)		124.00	142.60
62408	Vacuum Plate (3 lugs)		108.00	124.20
62468	Vacuum Plate O Ring		27.50	31.63
32702	Fulflo/Nally Vacuum Plate/Skimtrol		97.50	112.13
62407	Weir Door (comes with clips) (242mm x 145mm)		84.50	97.18
62416	Weir Door Stop	8	4.60	5.29
624120	Weir Door Clip		8.30	9.55
62404	Plug 40mm (Threaded)		47.70	54.86
29260	Escutcheon Assembly Kit		81.00	93.15

# SKIMMER BOXES - Waterco S75 / Supaskimmer / Fulflo (continue)

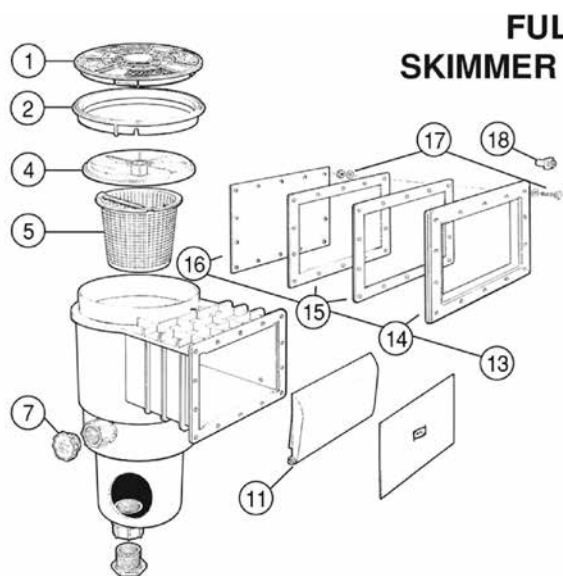
Part Number	Product Description	Diagram Number	List Price	Price Inc Gst
<b>SUPASKIMMER / FULFLO (continue)</b>				
292631	Skimmer Face Plate		32.30	37.15
29261	Gasket Set (2)		29.50	33.93
62444	Stainless Steel Screw Each		3.00	3.45
29267	Screw Cap Set (14)		11.20	12.88
62426	Widemouth Escutcheon Kit (Req's additional 22 x 62438, Nutserts-Moulding P1325) (Fibreglass)		146.00	167.90
62438	Nutserts (Each) (Fibreglass)		3.20	3.68
<b>SKIMTROL - CONTROL VACUUM PLATE</b>				
32730	Valve Spring		23.60	27.14
32731	Valve Stem		30.40	34.96
32732	Valve Strainer		15.40	17.71
62469	O Ring BS272		18.80	21.62



**S75 SKIMMER BOX**



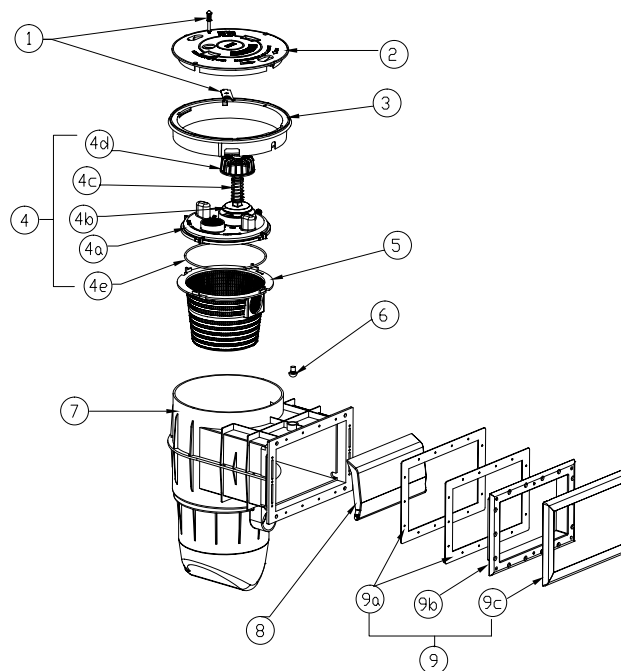
**SUPASKIMMER BOX**



**FULFLO SKIMMER BOX**

# SKIMMER BOXES - PARAMOUNT SP5000

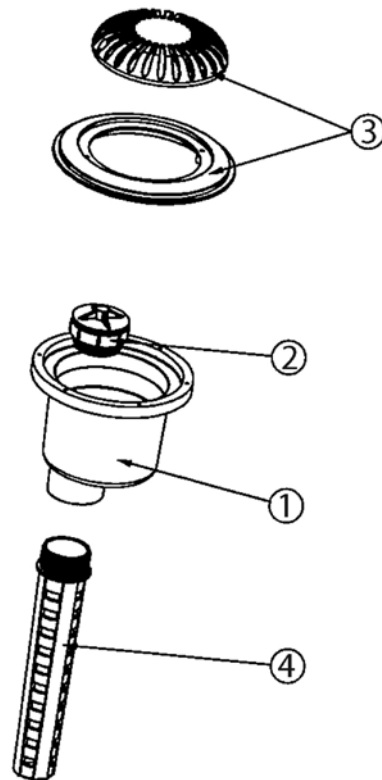
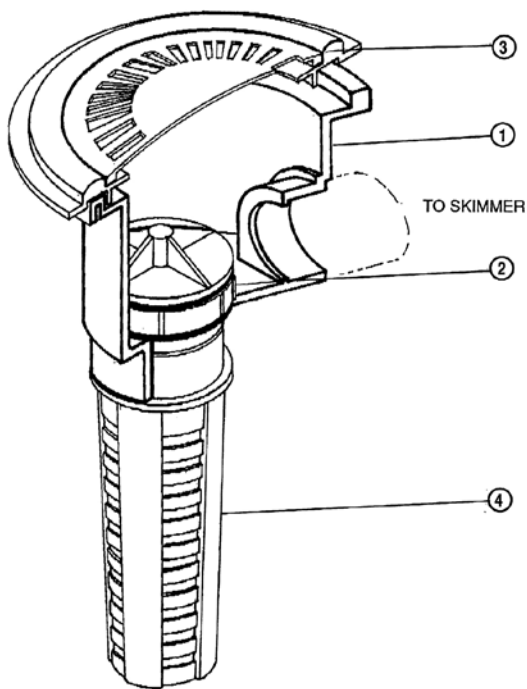
Part Number	Product Description	Diagram Number	List Price	Price Inc Gst
<b>PARAMOUNT SP5000</b>				
6241200	Weir Door Clip (short - suits 624077 weir door)	n/s	8.00	9.20
AXSM009	Deck Lid - Beige (271mm)	2	69.00	79.35
AXSM009S	Deck Lid - Beige (271mm)	2	68.00	78.20
6241092	Deck Lid T/Lock Ass'y SP5000 - Beige	1	83.00	95.45
6241082	Deck lid T/Lock Ass'y SP5000 - Grey	1	83.00	95.45
AXSM012	Dress Ring - Beige	3	52.00	59.80
AXSM073	Round Dress Ring - Beige - Twist Lock (Suit Lock Down Type)	3	44.30	50.95
AXSM074	Square Dress Ring - Beige - Twist Lock (Suit Lock Down Type)	3	80.50	92.58
6241081	Square Dress Ring T/Lock SP500 - Grey	3	60.00	69.00
6241091	Square Dress Ring T/Lock SP500 - Beige	3	60.00	69.00
32715	Vacuum Plate - SP5000 Skimtrol Lock Down	4	97.50	112.13
AXSM025	Vacuum Plate SP5000 Lock Down - 4 lugs	4	66.50	76.48
32716	Vacuum Plate - Grey	4A	97.50	112.13
61307	SP5000 Vac Plate Oring (separate item available)	4E	5.70	6.56
AXSM004	Skimmer Body Flow Adjuster	4B	5.00	5.75
AXSM014	Skimmer Basket (225mm, 4 Lugs)	5	25.40	29.21
AXSM0061	Rubber Buffer	6	8.30	9.55
AXSM003	Adjustment Slide Skimmer Body		6.40	7.36
AXSM002	Skimmer Body	7	165.00	189.75
624077	SP5000 Weir Door MK2 - White (no clips included) (235mm x 127mm)	8	57.00	65.55
624078	SP5000 Weir Door MK2 - Grey (no clips included)	8	57.00	65.55
AXSM038	Escutcheon Gasket (req's x 2)	9A	24.50	28.18
AXSM033	Escutcheon Plate	9B	15.20	17.48
AXSM034	Escutcheon Plate - Grey	9C	17.10	19.67
AXSM0391	SP5000 Skimmer Escutcheon Clip - Grey		5.80	6.67
AXSM028	Escutcheon Kit Assembly (C/W 2 x Gaskets Plus Face Plate)		85.50	98.33
AXSM036	Escutcheon Stainless Steel Screws (req's x 14)	n/s	1.10	1.27
AXSM042	Rubber Plug for Main Drain & Vac Plate (40mm Slip Fit Plus)	n/s	16.60	19.09
AXSM040	Extension Throat Body	n/s	93.00	106.95
AC703	Cap for Port		3.10	3.57
AXSM0390	SP5000 Skimmer Escutcheon Clip - White (No Holes In Plate)	n/s	7.00	8.05
624108	Lid & SQ Dress Ring Ass'y - Grey	1&2	142.00	163.30
AXSM030	Escutcheon (C/W Screws/PL SK, No Gasket)	n/s	54.50	62.68
6241092	ECK Lid T/Lock Ass'y SP5000 S/Stone		83.00	95.45
6241083	Deck lid T/Lock Ass'y SP5000 - Grey		59.00	67.85
AXSM0091	Deck Lid Latch & Slide Tool - S/Stone			
AXSM0092	Deck Lid Latch & Slide Tool - Grey			
<b>SKIMMER BOXES - BAKER HYDRO</b>				
624120	Skimmer Weir Door Clip		8.30	9.55
624070	Skimmer Weir Door	n/s		
624121	Skimmer Weir Door Foam			



# MAIN DRAINS

Product Code: 29300 - MKI, 293000 - MKII, 293002 - MKI, 29308 - MKI

Part Number	Product Description	Diagram Number	List Price	Price Inc Gst
29301	Main Drain Body - White	1	54.00	62.10
293010	Main Drain Body - Grey	1	51.50	59.23
29302	Hydrostatic Valve - White	2	30.70	35.31
293020	Hydrostatic Valve - Grey	2	28.70	33.01
29303	Cover & Dress Ring - White	3	46.40	53.36
293030	Cover & Dress Ring - Grey	3	44.20	50.83
29307	Cover & Dress Ring - Beige	3	42.80	49.22
293033	Cover & Dress Ring White MKII		44.50	51.18
293034	Cover & Dress Ring Grey MKII		40.30	46.35
29304	Main Drain Stem - White	4	14.70	16.91
293040	Main Drain Stem - Grey	4	13.90	15.99
29306	Screw & Plug Set - White		5.00	5.75
29305	Screw & Plug Set - Beige		4.80	5.52
AC703	40mm Blanking Plug		3.10	3.57
293004	Main Drain Foam Plug		7.00	8.05
<b>GREASE PLATE HYDRO VALVE (29313 complete)</b>				
29314	Grease Plate (Lid Only)		52.00	59.80
29315	Grease Plate (Body Only)		69.50	79.93
293102	Hydrostatic Valve Tool F/G Pools Grey		10.70	12.31
6340020	S/T M6 Multi Pack Bolts & Washers ( Fit Lintel and S75 Skimmer)		11.40	13.11

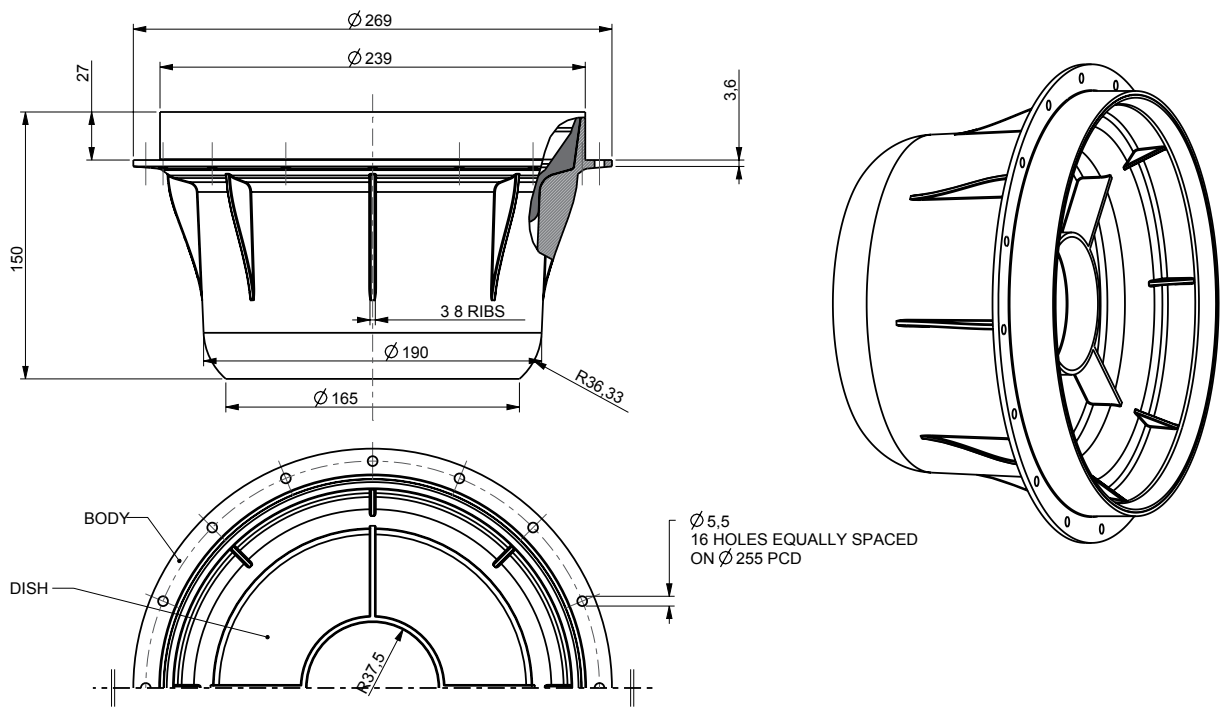
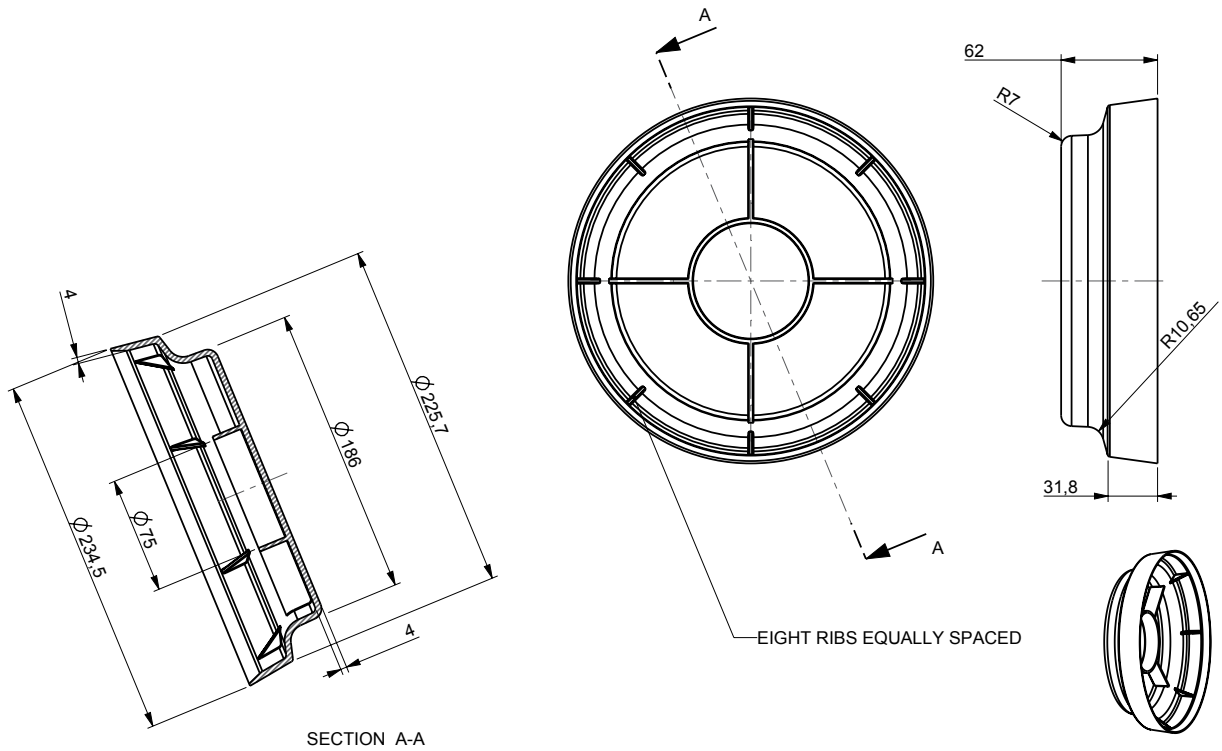


293001 (Grey)  
293000 (White)

# HYDRO GREASE PLUG

Product Code: 29316

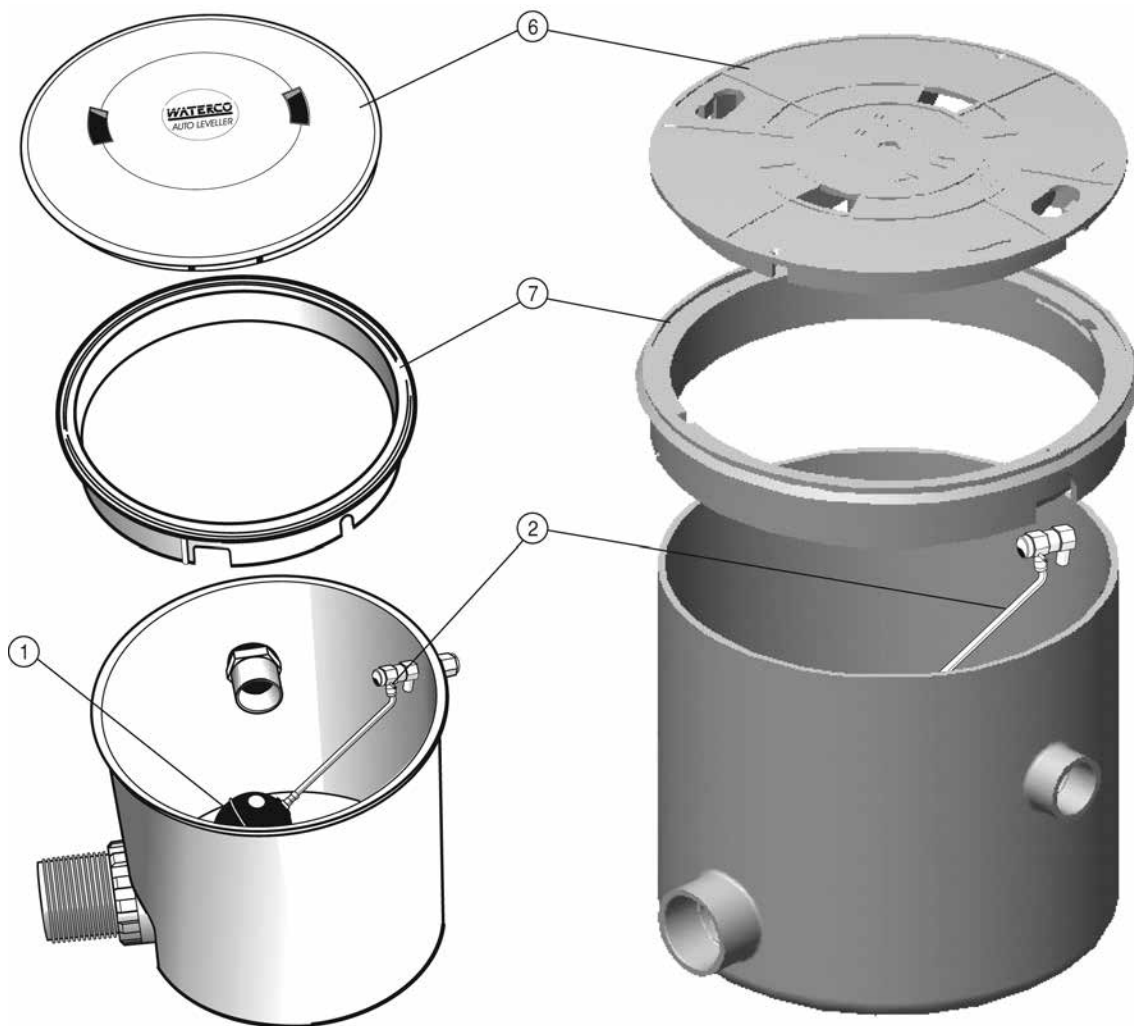
Part Number	Product Description	Diagram Number	List Price	Price Inc Gst
29317	Hydro Grease Plug Lid Only		49.30	56.70





# AUTO POOLWATER LEVELLER

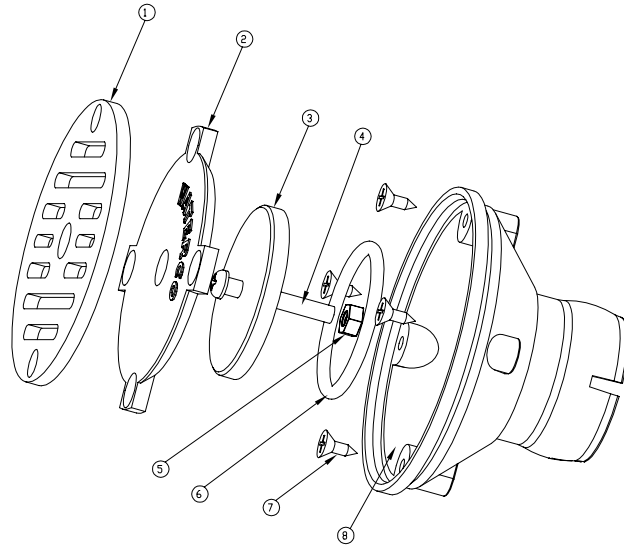
Part Number	Product Description	Diagram Number	List Price	Price Inc Gst
62270	Plastic Float	1	19.70	22.66
62271	3/8" Float Valve Brass	2	155.00	178.25
62272	3/8x1/2" Brass Bush		26.30	30.25
62273	1/2" Kinco Nut		8.60	9.89
62274	1/2" Olive Plastic		2.50	2.88
AXSM009	Lid - Beige (Suit MK1 Leveller)	6	69.00	79.35
AXSM009S	Lid - Sandstone (Suit MK1 Leveller)	6	68.00	78.20
624171S	Deck Lid MK2 (Suit Twist Lock Type) - Sandstone	6	142.00	163.30
AXSM012	Dress Ring (Suit MK1 Leveller)	7	52.00	59.80
624191S	Round Dress Ring Twist Lock - Sandstone	7	128.00	147.20



# FLOOR INLET ADJUSTABLE

Product Code: 291701

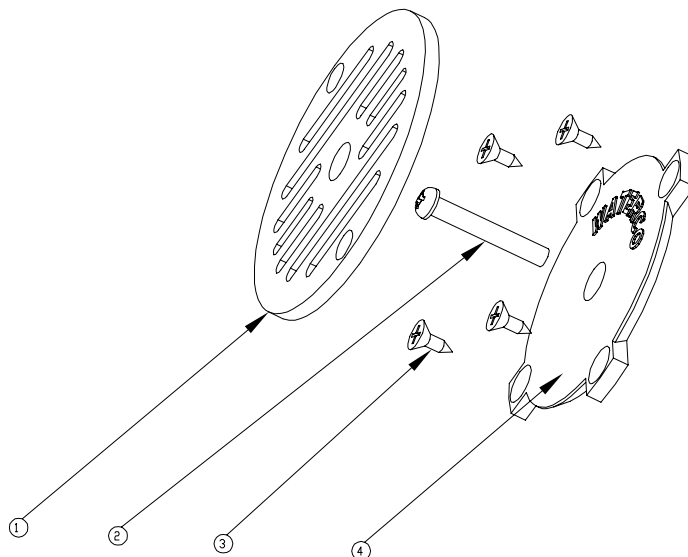
Part Number	Product Description	Diagram Number	List Price	Price Inc Gst
2917011	Floor Inlet Top Plate with Slots	1	53.05	61.00
	Floor Inlet Top Plate	2		
	Floor Inlet Seal Plate	3		
	Floor Inlet M6x40 SS PH Screw	4		
	Nylon L/Nut M6 SS304	5		
	Floor Inlet O Ring	6		
	Screw #12* 1/2 Counter Sunk SS304	7		
	Floor Inlet Body	8		



# FLOOR INLET REPAIR KIT

Product Code: 2917013

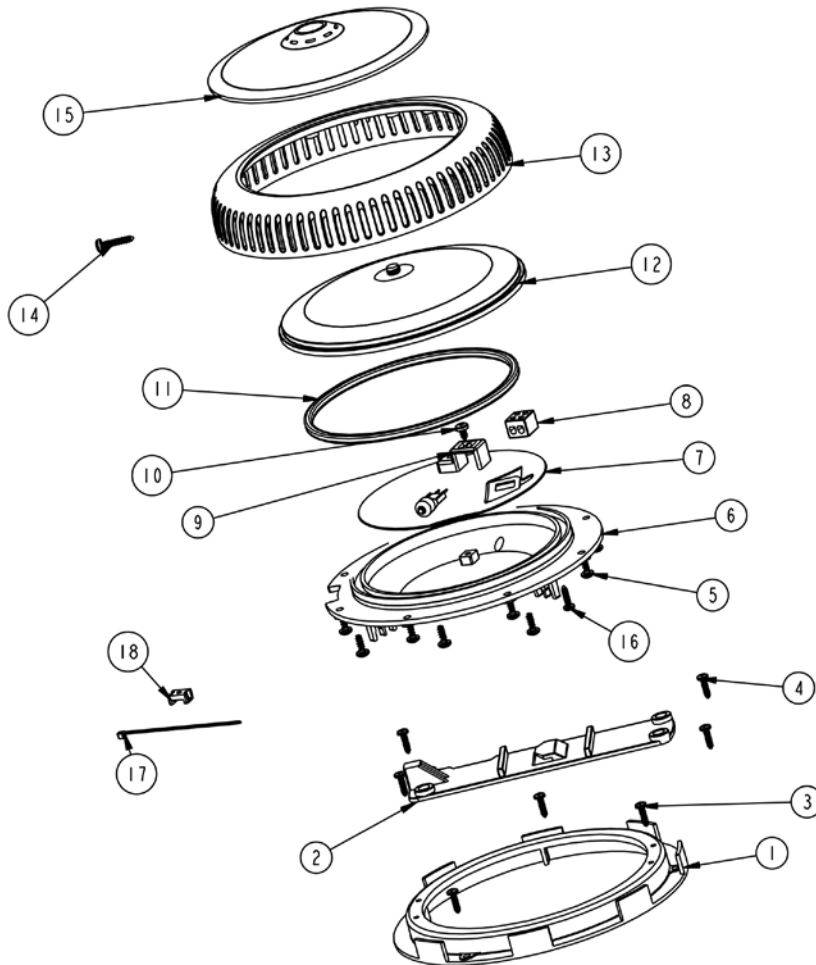
Part Number	Product Description	Diagram Number	List Price	Price Inc Gst
2917011	Floor Inlet Top Plate with Slots	1	28.52	32.80
	Floor Inlet M6x40 SS PH Screw	2		
	Screw #12* 1/2 Counter Sunk SS304	3		
	Floor Inlet Top Plate	4		



# UNDERWATER POOL LIGHT 12V

Product Code: 263073

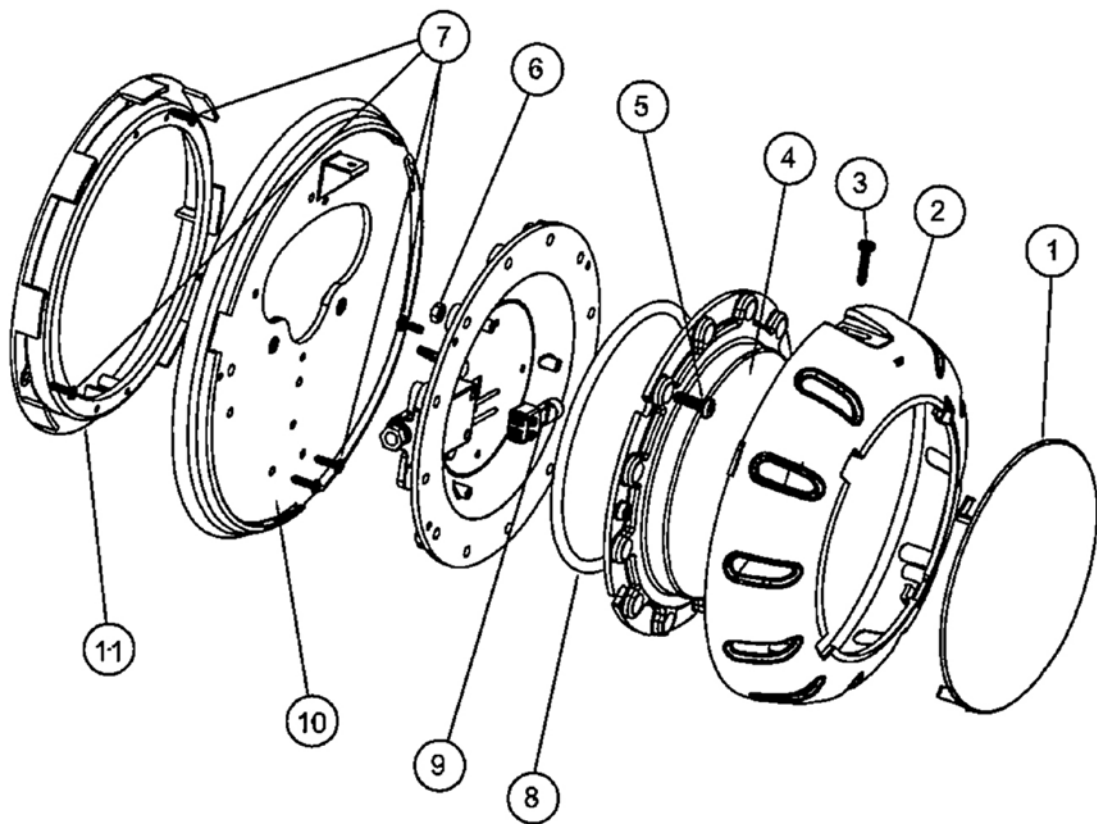
Part Number	Product Description	Diagram Number	List Price	Price Inc Gst
65001	Wall Ring	1	32.10	36.92
65002	Light Bracket	2	30.80	35.42
65012	Screw 8G x 5/8" (3 required)	3	3.20	3.68
65012	Screw 8G x 5/8" (4 required)	4	3.20	3.68
65012	Screw 8G x 5/8" (1 required)	5	3.20	3.68
650032	Litestream Back Plate MK2 - White	6	19.70	22.66
65004	Reflector Plate	7	24.10	27.72
65006	Ceramic Terminal Block	8	32.70	37.61
65007	Connector Block	9	9.20	10.58
65013	Screw 10G x 3/8	10	3.20	3.68
65008	Gasket	11	46.70	53.71
65009	Clear Diffuser	12	95.50	109.83
650102	Rim Pool Light MK3	13	42.70	49.11
65014	Screw 10G x 16MM	14	3.20	3.68
26603	Coloured Lens - Blue	15	21.10	24.27
26605	Coloured Lens - Red	15	21.10	24.27
26606	Coloured Lens - Green	15	21.10	24.27
650120	Screw 8G x 13mm (8 required)	16	2.90	3.34
650051	Globe 12V 100W	n/s	58.50	67.28
650105	Adaptor Pool Lights	n/s	19.40	22.31
650052	LITESTREAM GLOBE 24V 100W		62.50	71.88
65015	12M LIGHT GLAND NUT ASSEMBLY		4.60	5.29
650151	18/21M UWL GLAND NUT ASSY		4.40	5.06
65061	Light back plate c/w reflector & 65015		145.00	166.75
650062	Halogen Globe 12V 100W W/C Block MK4		56.00	64.40
650063	Halogen Globe 24V 100W W/C Block MK4		63.00	72.45



# HALOGEN UNDERWATER LIGHT MK4

Product Code: 263300

Part Number	Product Description	Diagram Number	List Price	Price Inc Gst
266031	Coloured Lens MK4 - Blue	1	14.40	16.56
650103	Rim Halogen MK4	2	21.40	24.61
65014	Screw 10G X 16mm	3	3.20	3.68
650093	Diffuser Lens Halogen MK4 - clear	4	59.50	68.43
6340061	Screw M6 X 16 (12 reqd)	5	2.60	2.99
65012	Screw 8G x 5/8 (11 reqd)	7	3.20	3.68
650082	O'Ring BS436	8	4.90	5.64
650062	Halogen Globe 12V 100W MK4	9	56.00	64.40
650063	Halogen Globe 24V 100W MK4	9	63.00	72.45
65062	Back Plate UWL Halogen MK4	10	50.82	58.40
6501050	UWL Adaptor Plate T/Lock	10	30.40	34.96
65001	Wall Ring		32.10	36.92
650150	UWL Connector Assy		20.40	23.46
650160	UWL Connector Assy - Large		30.70	35.31



# BRITESTREAM SURFACE MOUNTED LED LIGHTS (70,000 Hours)

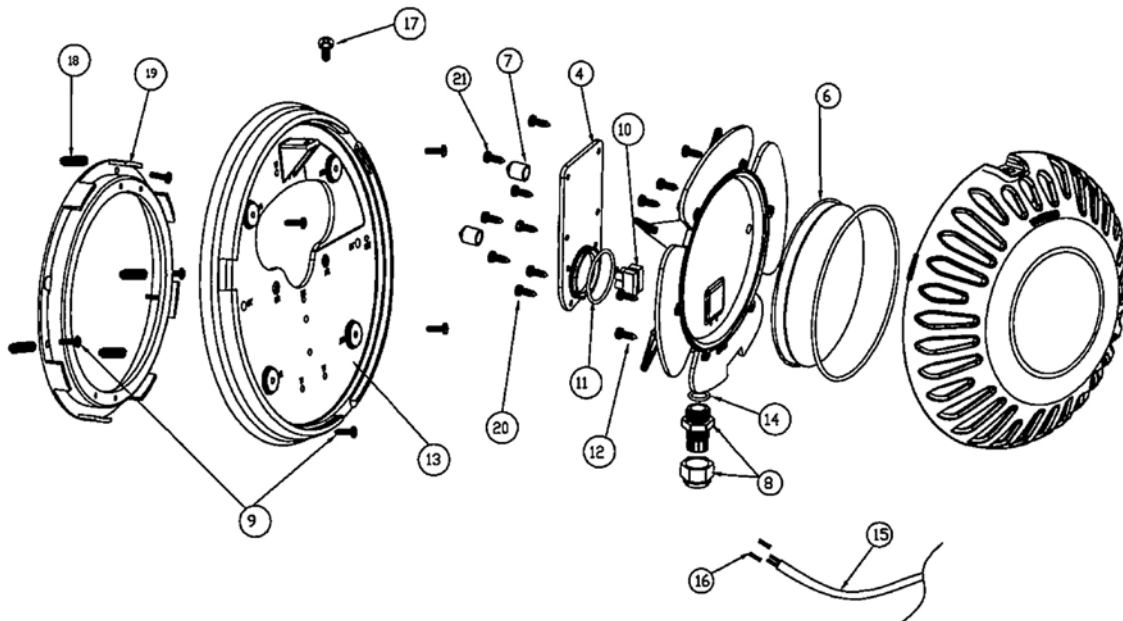
Product Code: 264305, 264307, 264506

Part Number	Product Description	Diagram Number	List Price	Price Inc Gst
650032	L/S BACK PLATE WHITE		19.70	22.66
65001	LITESTREAM WALL RING		32.10	36.92
65002	LITESTREAM LIGHT BRACKET		30.80	35.42
650096	LENS DRESS RING 11MM		12.90	14.84
65012	S/S SCREW 8G X 5/8		3.20	3.68
65014	S/S SCREW 10G X 5/8		3.20	3.68
266022	Britestream Vinyl/Fibreglass Conversion Kit		47.50	54.62
266020	Britestream Vinyl Mounting Kit		55.00	63.25
650105	Universal Adaptor		19.40	22.31
650160	ip68 connector 4/6mm U/Water Light connector assembly Large		30.70	35.31

# BRITESTREAM SURFACE MOUNTED MK4/5

Product Code: 264330, 264332, 264334

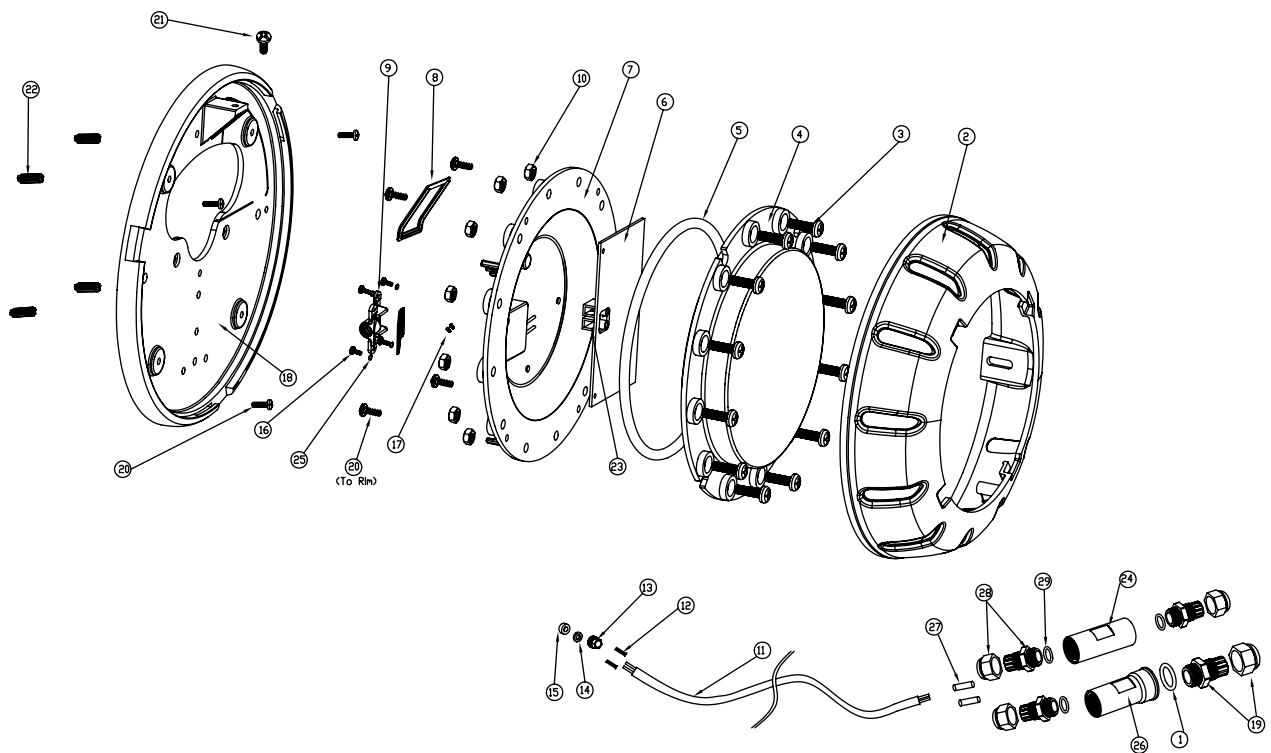
Part Number	Product Description	Diagram Number	List Price	Price Inc Gst
650021	Mounting Cover Plate	4	5.90	6.79
650115	Cap PT008	7	0.60	0.69
650157	Cable Gland	8	4.90	5.64
65012	Screw UWL	9	3.20	3.68
650060	Terminal Block	10	29.00	33.35
6501133	O'Ring 33 X 2 Mtr	11	4.30	4.95
6501050	Adaptor Plate	13	30.40	34.96
82444206	O'Ring BS014	14	4.30	4.95
8170100	Power Cord Led	15	550.00	632.50
645715	Bootlace Pin	16		
64576	Salty/SS Plastic Wall Plug	18	1.00	1.15
65001	UWL Wall Ring	19	32.10	36.92



# LITESTREAM LED WARM WHITE REPLACEMENT MODEL

Product Code: 263403

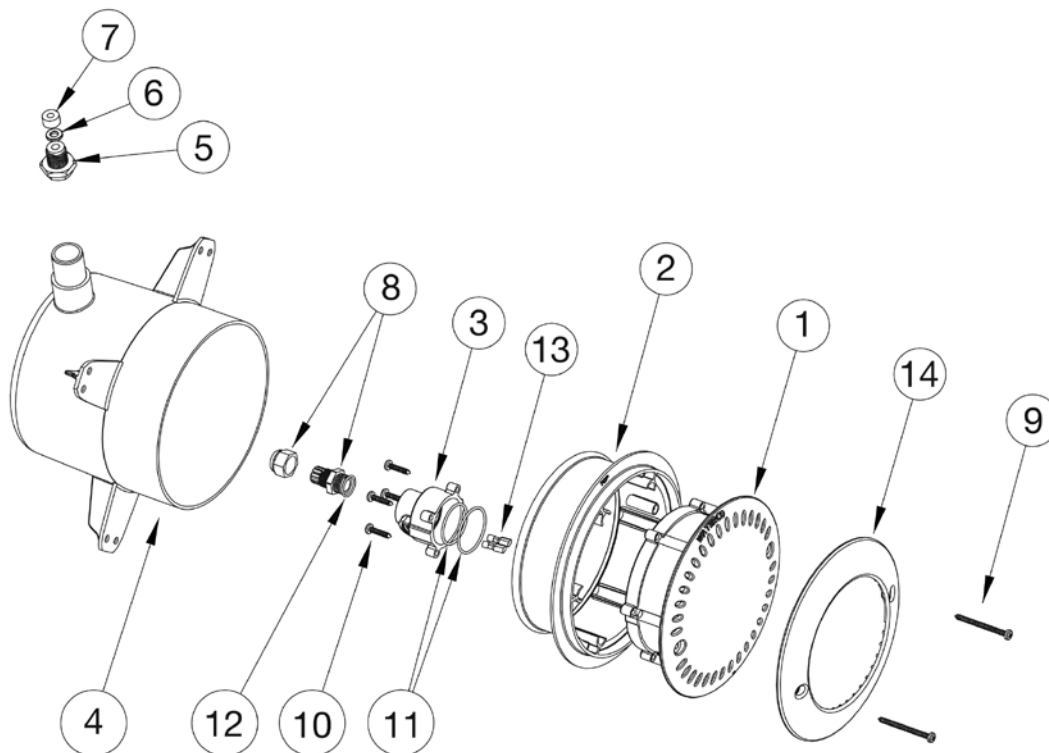
Part Number	Product Description	Diagram Number	List Price	Price Inc Gst
S1079811	O Ring BS018	1	4.30	4.95
650103	Rim Halogen MK4	2	21.40	24.61
W22275	Screw M6 16 Pan Head	3		
650093	Lens Halogen MK4	4	59.50	68.43
W22397	O Ring BS436	5		
W32316	PCB 32-LED Warm White	6		
1134350	Back Plate c/w Pin & Ref. Plate	7		
650081	Terminal Gasket Halogen MK4	8	3.00	3.45
65019	Terminal Cover O6	9	7.00	8.05
6340060	Nut M6	10	1.00	1.15
8170100	UWL Cable 2 Core 2182 Y	11	550.00	632.50
W22363	Plastic Washer MK4 06mm	13		
W22364	Plastic Nut Halogen MK4 06mm	14		
W22365	Rubber Gland 05.8 Hole	15		
W22344	Screw M4 10mm Pan Head	16		
W22370	Screw M3 6 Pan Head	17		
6501050	Adaptor Plate	18	30.40	34.96
650155	Cable Gland 5-10mm	19		
W02214	Screw UWL 8X 5/8 S/S	20		
W02216	UWL Screw No.10 x 5/8	21		
64576	Salty/SS Plastic Vall Plug	22	1.00	1.15
W32123	Terminal Block, Barrier 2 POS	23		
650154	Joiner Tube UWL	24		
W22472	Spring Washer M4	25		
650156	Joiner Tube Large UWL	26		
8244809	Splice Terminal Blue	27		
650152	Cable Gland 4-8mm	28	5.20	5.98
650153	O Ring 15 1.5mm	29	4.30	4.95



# BRITESTREAM NICHE LED LIGHTS (70,000 Hours)

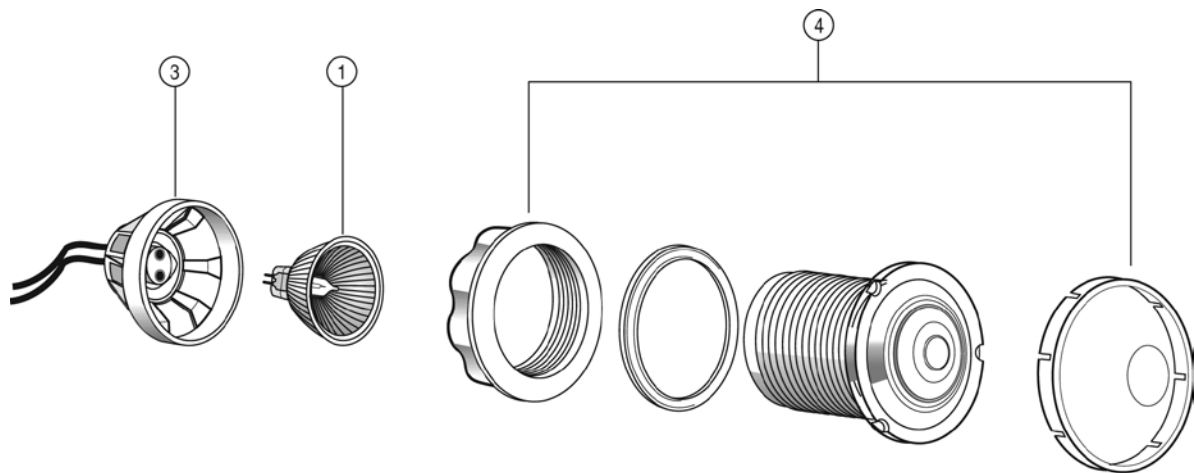
Product Code: 264411, 264413, 264418

Part Number	Product Description	Diagram Number	List Price	Price Inc Gst
264421	Wet niche Assembly Black		59.50	68.43
650114	BriteStream niche cable mounting kit	3,8,10,11,12, 13	83.00	95.45
650116	Britestream Niche Cable Mounting Kit MK2		49.30	56.70
6501122	Screw x 2	9	3.60	4.14
6501130	Britestream Stainless Steel Dress Ring	14	48.50	55.78
264403	UWL niche LED white replacement kit	n/s	325.00	373.75
650150	Light Retrofit Connector (IP68)		20.40	23.46
6501110	Niche Mounting Ring White	2	28.60	32.89
6501110	Niche Mounting Ring Slotted Black		10.30	11.85
6501122	Gland Assembly	5,6,7	18.90	21.74
650116	Britestream Niche Cable Mounting Kit		49.30	56.70



# UNDERWATER SPA LIGHT 12V

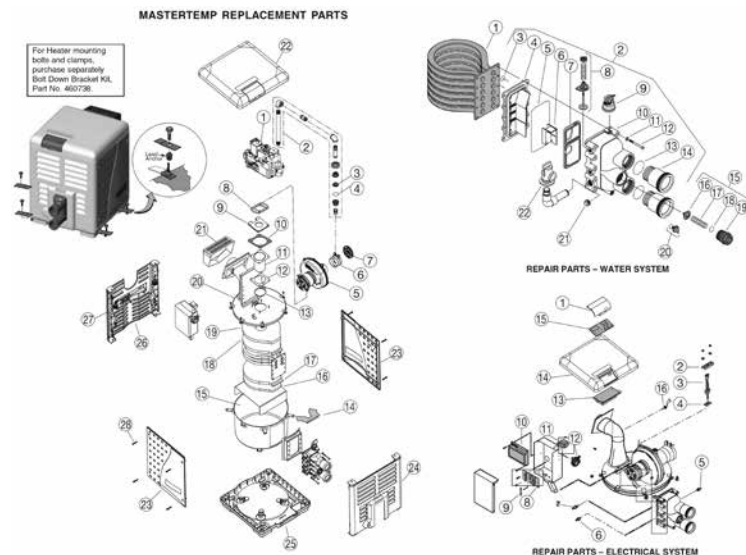
Part Number	Product Description	Diagram Number	List Price	Price Inc Gst
26507	Lamp 12 Volt 35 Watt	1	57.50	66.13
26508	2 Metre Lead and Globe Holder (Cage not included)	3	40.20	46.23
<b>UNDERWATER SPA LIGHT 12V (front access)</b>				
26507	Lamp 12 Volt 35 Watt	1	57.50	66.13





# MASTER/TURBO TEMP GAS HEATER

Part Number	Product Description	Diagram Number	List Price	Price Inc Gst
<b>BURNER SYSTEM</b>				
68474133Z	Kit Gas Valve Assembly	1	1,800.00	2,070.00
68474134	Kit Gas Orifice NG 400MJ	3 & 4	44.60	51.29
68474135	Kit Gas Orifice NG 300MJ	3 & 4	44.60	51.29
68474136	Kit Gas Orifice NG 200MJ	3 & 4	44.60	51.29
68474137	Kit Gas Orifice LP 400MJ	3 & 4	44.60	51.29
68474138	Kit Gas Orifice LP 300MJ	3 & 4	44.60	51.29
68474139	Kit Gas Orifice LP 200MJ	3 & 4	44.60	51.29
68475133	Kit Conversion NG TO LP 125MJ	3,4,6 & 7	152.00	174.80
68474140	Kit Conversion NG to LP 400MJ	3,4,6 & 7	66.50	76.48
68474141	Kit Conversion NG to LP 300MJ	3,4,6 & 7	66.50	76.48
68474142	Kit Conversion NG to LP 200MJ	3,4,6 & 7	66.50	76.48
68475134	Kit Conversion LP to NG 125MJ	3,4,6 & 7	112.00	128.80
68474143	Kit Conversion LP to NG 400MJ	3,4,6 & 7	66.50	76.48
68474144	Kit Conversion LP to NG 300MJ	3,4,6 & 7	66.50	76.48
68474145	Kit Conversion LP to NG 200MJ	3,4,6 & 7	66.50	76.48
68474104Z	Kit Blower 50Hz AU	5,6,7,8 & 9	730.00	839.50
68474105Z	Kit Air Orifice 400MJ	6 & 7	120.00	138.00
68474106Z	Kit Air Orifice 300MJ	6 & 7	120.00	138.00
68474107Z	Kit Air Orifice 200MJ	6 & 7	120.00	138.00
68420020034Z	Heater Top	22	560.00	644.00
68420020039	Side Panel - Service Panel	23	156.00	179.40
68420020039Z	Kit Door Molded Mt Replacement	23 & 28	360.00	414.00
68420020033	Side Panel - Manifold	24	170.00	195.50
68420020033Z	Kit Front Side Molded Mt Replacement	24 &	425.00	488.75
68420020031Z	Kit Mt Bottom Cover	25	335.00	385.25
68420020032Z	Kit Mt Back Pane	26 & 27	390.00	448.50
684738	Pressure Release Valve Water 45PSI 20mm		229.00	263.35
684431106	Metal Flue Collar 100mmX 150mm (4" X 6")		266.00	305.90
684431108	Metal Flue Collar 100mmX 200mm (4" X 8")		282.00	324.30
270420020025S	Shut off Valve		192.00	220.80
68474992	Side Panel (Manifold) 125MJ		455.00	523.25
6877707-011	Blower Adapter Plate Gasket Set			
6877007-0008	Insulation Kit 200/300/400mj			
<b>ELECTRICAL SYSTEM</b>				
68474171Z	High Limit Switch AU	6	192.00	220.80
68474103Z	Kit Ignition Module AU	10	600.00	690.00
68420020007S	Control Board Kit NA, LP	13		
68474163Z	Kit Wire Harness AU	N/S	315.00	362.25
68472610Z	Membrane Pad	15	123.00	141.45
270420010053S	Thermistor		220.00	253.00
68420020024S	Flue Stack Sensor		259.00	297.85
6877707-0054	Ignitor & Gasket Kit		345.00	396.75
<b>WATER SYSTEM</b>				
684431144	50mm Half Union (ea) (200/300/400)		95.00	109.25
6877707-0010	T/Temp Thermal Regulator		170.00	195.50
68474392	T/Temp Manifold Kit			
68474974	Union kit 125mj		64.50	74.18

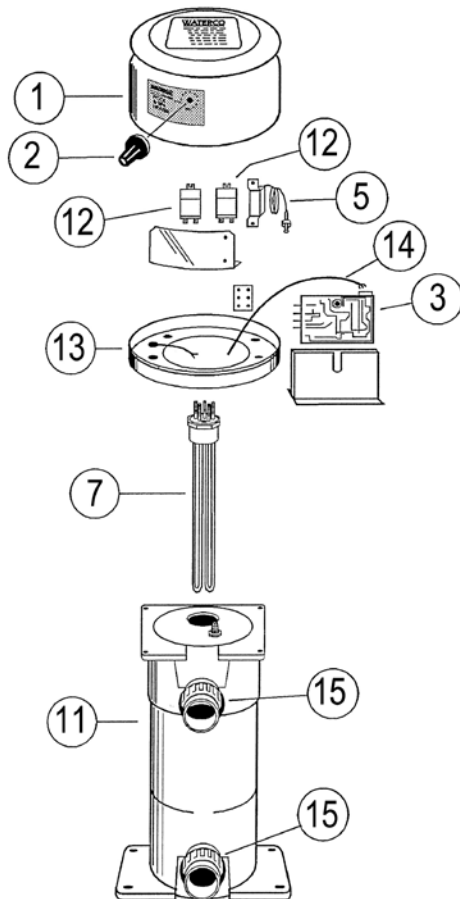


# WATERCO ELECTRIC HEATER (ELECTRONIC)

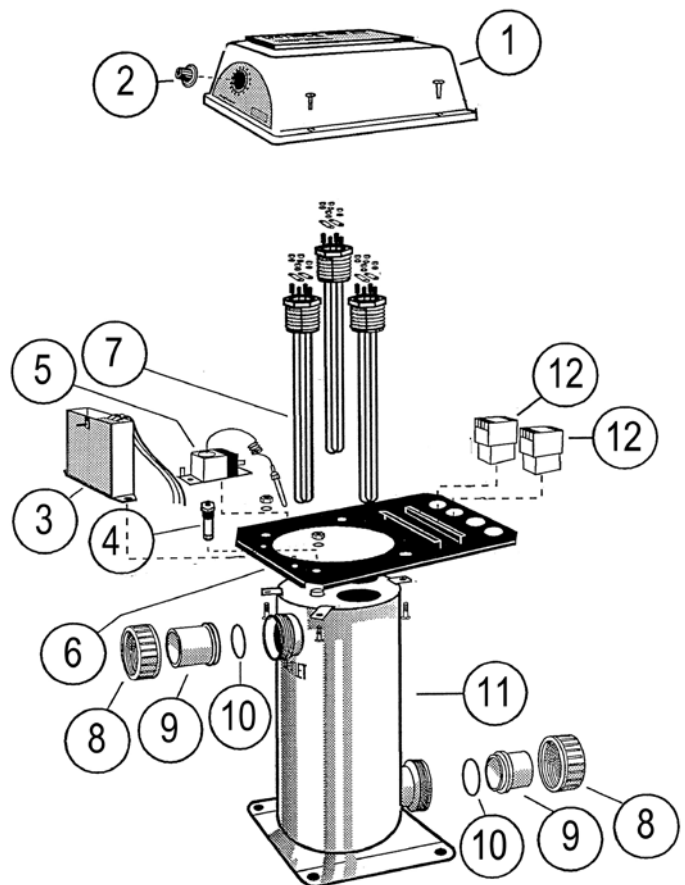
- Discontinued

Part Number	Product Description	Diagram Number	List Price	Price Inc Gst
S12202	Heater Control Knob	2	33.10	38.07
4603251	Heater P.C. Board (1 phase & 3 phase)	3	810.00	931.50
4603252	Spa Heater PCB with Retrofit (additional O/T sensor)	3	650.00	747.50
460328	Water Sensor	4	252.00	289.80
46036	Pressure Switch	5	380.00	437.00
46002	6kW Element (Polished) Commercial Application	7	640.00	736.00
634024B	Half Union 50mm W/O'Ring (2 required) - Black	8/9/10	25.80	29.67
460312	Heater Body Single Phase	11	550.00	632.50
460321	Heater Body (18 & 24kW) S/S	11	2,600.00	2,990.00
460333	18kW 3 Phase Heater Contactor	12	660.00	759.00
460334	24kW 3 Phase Heater Contactor	12	810.00	931.50
460326	Temperature Sensor (1 phase & 3 phase)	14	70.00	80.50
122243B	Half Union 6kW	15	10.80	12.42
46019	Element Gasket 6kW, 8kW	n/s	15.60	17.94
4604441	Pressure Switch Fitting - Brass	16	64.50	74.18
460326	Water Temp Sensor		70.00	80.50

Single Phase



Three Phase

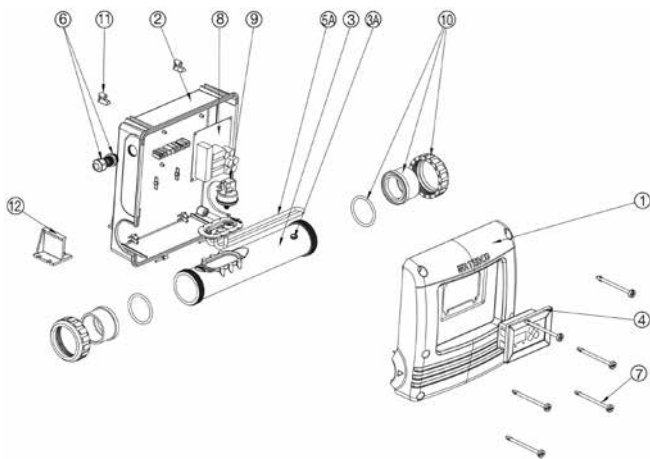


# WATERCO DIGIHEAT HEATER

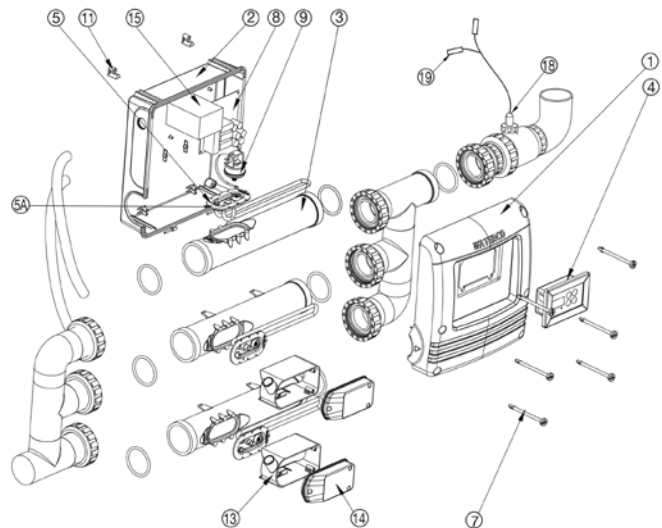
Product Code: 281048, 281060, 281183, 281243, 281036 & 281024

Part Number	Product Description	Diagram Number	List Price	Price Inc Gst
460601	Enclosure	2	133.00	152.95
4605001	Digiheat Element Housing Drilled	3	84.00	96.60
86172	Gulfstream Plug	3A	0.70	0.81
6381730	O/T Sensor Digiheat Potted	3B	76.50	87.98
6940400	Digiheat Control Assembly (display board)	4	610.00	701.50
636138786	Element 6.0kW coated	5	435.00	500.25
636138788	Element 8kW coated	5	470.00	540.50
636138790	Element 2.4W Titanium W/Leads		580.00	667.00
636138791	Element 3.6W Titanium W/Leads		610.00	701.50
636138793	Element 4.8W Titanium W/Leads		610.00	701.50
636138795	Element 6.0W Titanium		670.00	770.50
636138796	Element 8.0W Titanium		700.00	805.00
620259	O-ring for element	5A	4.30	4.95
6501124	Cable Gland 10-14mm	6	12.40	14.26
460506	Quarter Turn Key	7	2.60	2.99
4603255	Digiheat Power Board 1ph	8	660.00	759.00
4603256	Digiheat Power Board 3ph	8	780.00	897.00
6367239	Pressure Switch	9	157.00	180.55
634024542	Half Union 50/40mm Black	10	21.30	24.50
460507	Mounting Bracket Small	11	6.80	7.82
460508	Mounting Bracket Large	12	6.80	7.82
460701	Element Cover Digiheat 3phase	13	10.20	11.73
460702	Element Cover Cap Digiheat 3phase	14	7.60	8.74
460334	D25 Contactor	15	810.00	931.50
85531	Flocheck Valve Digiheat 50mm WCO		249.00	286.35
460703	26mm orifice		2.10	2.42
85542	Valve Sensing Stem (Digiheat)	18	97.50	112.13
85168	Black/White Wire Connector #61145	19	8.70	10.01
460500	Digiheat Heat Element Housing	20	96.00	110.40
460705	Digiheat Manifold Outlet		165.00	189.75
460704	Digiheat Manifold Inlet		165.00	189.75
85527	Flocheck Flapper assy 50mm		56.50	64.98

**Digiheat Single Phase**



**Digiheat 3 Phase**



# ELECTROHEAT TITANIUM MKI

## Model 55 Single Phase

Part Number	Product Description	Diagram Number	List Price	Price Inc Gst
<b>COMPRESSOR</b>				
69501123	Compressor Run Capacitor 50MF/440VAC	NA	62.60	71.99
<b>HEAT EXCHANGER</b>				
69101235M	Heat Exchange Small Align with D/Coil		2,544.10	2,925.72
69201300	Liquid Tight Connector 3/4" (2 required)	5	9.70	11.16
69201303	Clear Plastic Hose 1/8" ID X 1/4" OD (Pressure Switch) 30" length	7	9.10	10.47
69201319	Thermostat Well 67.5 mm	9	3.00	3.45
69201320	Thermostat Well O Ring		4.00	4.60
69801410	Canister Clamp	10	95.50	109.83
69801504	Canister O Ring 7/4"	11	6.60	7.59
69801505	Water Inlet and Outlet O Ring (2 required)	12	4.00	4.60
69201312	Plastic Cap 3/4" NPT (2 required)	14	7.20	8.28
122243B	Mac Half Union 40mm Black		10.10	11.62
<b>VENTILATION</b>				
69301008	Fan 1/8 hp - 900rpm	21	560.00	644.00
69301110P	Fan Blade 14" Plastic	22	75.00	86.25
69601128	Fan Grill	36	155.00	178.25
69201524	Fan Motor Plastic Cap	NA	40.10	46.12
69701115	Fan Motor Support	NA	78.00	89.70
<b>EVAPORATION &amp; EXPANSION</b>				
69101345	Filter Dryer	4C	129.00	148.35
69101358	Expansion Valve TXV 3T	27	770.00	885.50
<b>SAFETY SYSTEM</b>				
69401006	Water Pressure Switch	32	106.00	121.90
69801512	Retaining Ring Pressure Switch	NA	2.10	2.42
69201303	Tube PVC 30"	7	9.70	11.16
69401002	High Pressure Switch 250 - 425 PSI	23	100.00	115.00
69401003	Low Pressure Switch 25 - 50 PSI	24	100.00	115.00
69401030	Defrost Sensor	31	21.40	24.61
69201306	Nipple 1/8" Barb (3 required)	8	1.40	1.61
<b>CONTROLLER</b>				
69402000	EH Control Assy - All Models	25	780.00	897.00
69201526	Sun Shade Dig/Control	28	33.10	38.07
<b>ELECTRIC BOX</b>				
69501008	Contactator	33	160.00	184.00
69400001	Transformer 220/12/24/Volts	29	102.00	117.30
69400002	Fan Relay	30	44.10	50.72
69401016	24V Time Delay - 3 min	NA	217.00	249.55

\* Parts are subject to availability

\* Please refer to diag on page 325

# ELECTROHEAT TITANIUM MKI

## Model 80 Single Phase

Part Number	Product Description	Diagram Number	List Price	Price Inc Gst
<b>COMPRESSOR</b>				
69101009	Compressor 240V - 50Hz 1 phase	1	3,950.00	4,542.50
<b>HEAT EXCHANGER</b>				
69101236M	Heat Exchanger 56' Large Align Dual Coil	A/B	3,400.00	3,910.00
69201300	Liquid Tight Connector ¾" - 2 required	5	10.40	11.96
69201303	Clear Plastic Hose ½"ID x 1/4"OD (Pressure Switch) - 30" length	7	9.70	11.16
69201319	Thermostat Well 67.5 mm	9	3.20	3.68
69201320	Thermostat Well O Ring		4.30	4.95
69801410	Canister Clamp	10	102.00	117.30
69801504	Canister O'Ring 7¼"	11	7.10	8.17
69801505	Water Inlet and Outlet O'Ring - 2 required	12	4.30	4.95
69201312	Plastic Cap ¾" NPT - 2 required	14	7.70	8.86
122243B	Mac Half Union 40mm Black		10.80	12.42
<b>VENTILATION</b>				
69301008	Fan ½ hp - 900rpm	21	560.00	644.00
69501103	Fan Motor Run Capacitor 5uf	34	19.60	22.54
69301103	Fan Blade 16"	22	138.00	158.70
69601129	Fan Grill ElectroHeat 80	36	243.00	279.45
<b>EVAPORATION &amp; EXPANSION</b>				
69101410	Capillary Assembly	4	247.00	284.05
69101409	Capillary Kit Sanyo EH80	4	117.00	134.55
69101302	Refrigerant Distributor ¾" - 6 tubes	NA	17.30	19.90
<b>SAFETY SYSTEM</b>				
69401006	Water Pressure Switch	32	106.00	121.90
69801512	Retaining Ring Pressure Switch	NA	2.10	2.42
69201303	Tube PVC 30"	7	9.70	11.16
69401002	High Pressure Switch 250-425PSI	23	100.00	115.00
69401003	Low Pressure Switch 25-50PSI	24	100.00	115.00
69401030	Defrost Sensor	31	21.40	24.61
69201306	Nipple ½" Barb - 3 required	8	1.40	1.61
69401005	Defrost Control	31	36.80	42.32
<b>CONTROLLER</b>				
69402000	EH Control Assy - All Models	25	780.00	897.00
69201526	Sun Shade Dig/Control	28	33.10	38.07
<b>ELECTRIC BOX</b>				
69501008	Contactora 40A/24V/2 Poles	33	160.00	184.00
69400001	Transformer 240/24-12V	29	102.00	117.30
69400002	24V Fan Relay	30	44.10	50.72
69401016	24V Time Delay - 3 min	NA	217.00	249.55

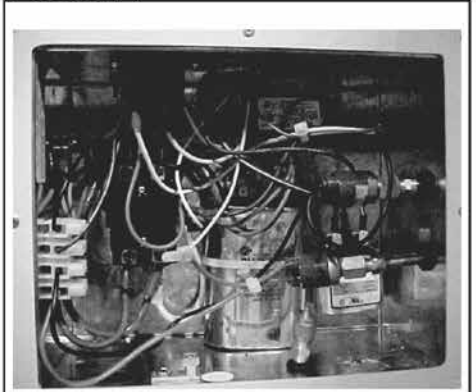
\* Please refer to diag on page 325

# ELECTROHEAT TITANIUM MKI

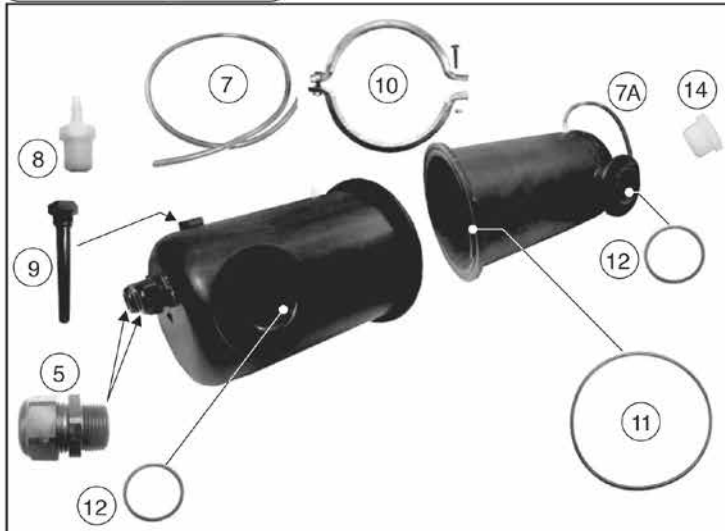
## Model 55 & 80 Single Phase



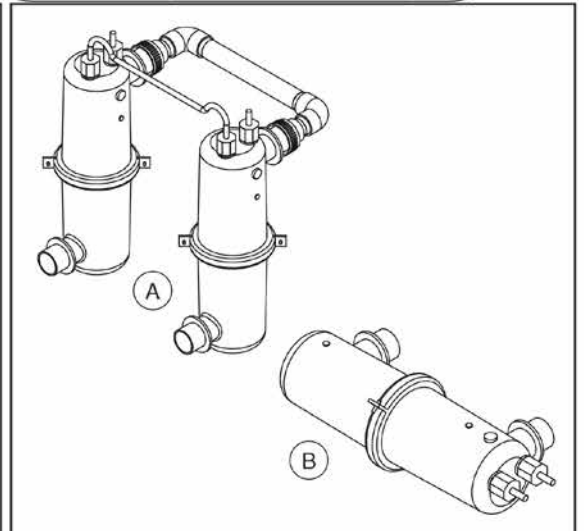
### Electrical



### Heat Exchanger Parts



### Heat Exchanger Assemblies Complete



# ELECTROHEAT PLUS MKI

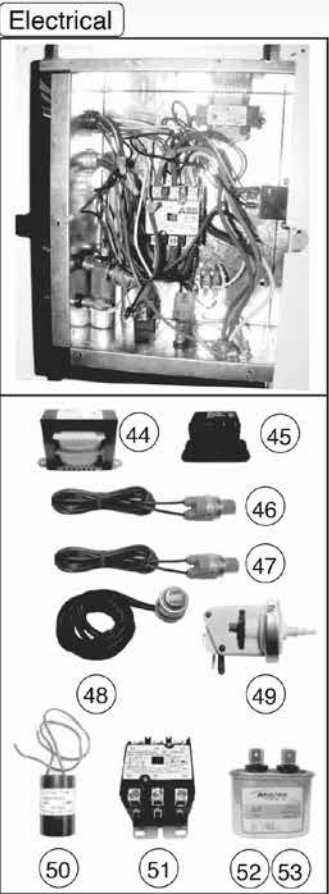
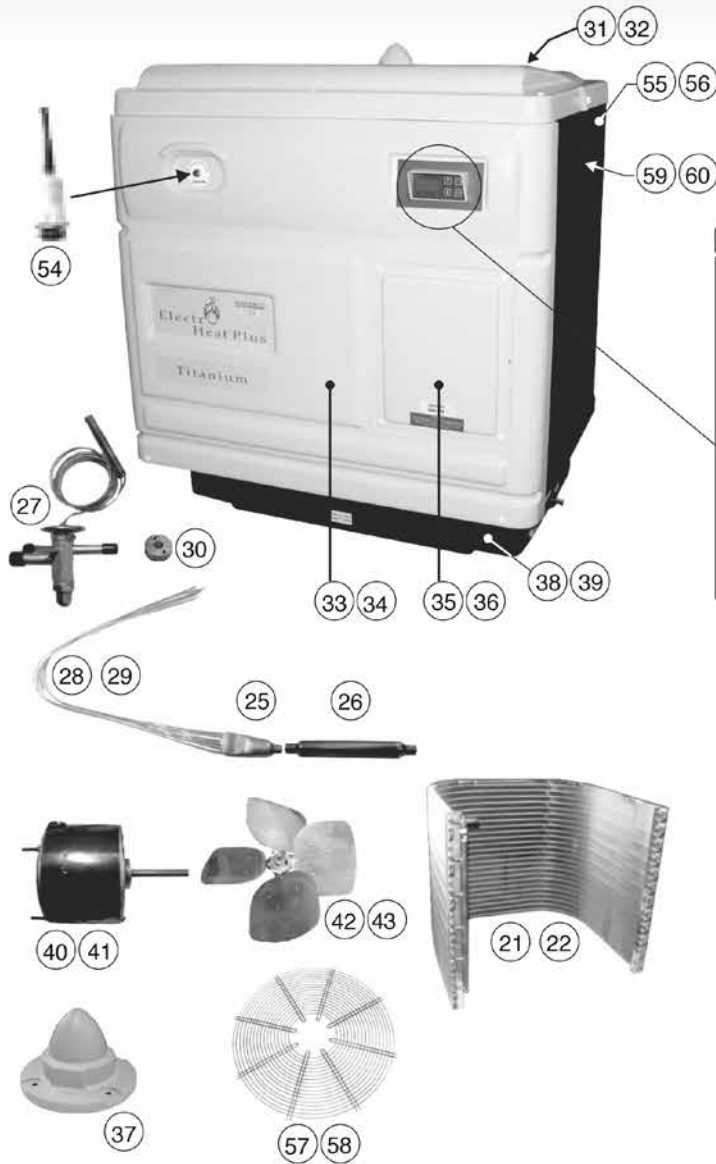
## Models 85, 105, 125, 150 Single & Three Phase

Part Number	Product Description	Diagram Number	List Price	Price Inc Gst
69201300	Liquid Tight Connector 3/4" - 2 required	5	10.40	11.96
69201306	Nipple 1/8" Barb - 3 required	8	1.40	1.61
69201319	Thermostat Well 67.5 mm	9	3.20	3.68
69201320	Thermostat Well O Ring		4.30	4.95
69801504	Canister O'Ring 7 1/4"	11	7.10	8.17
69402000	EH Control Assy - All Models	25	780.00	897.00
69801410	Canister Clamp	10	102.00	117.30
69201303	Clear Plastic Hose 1/8"ID x 1/4"OD (Pressure Switch) - 41" length	7	9.70	11.16
69201312	Plastic Cap 3/4" NPT - 2 required	14	7.70	8.86
69402000	EH Control Assembly MKII&MKIII&MKIV	13	780.00	897.00
69101012	Compressor Plus 105	20	7,900.00	9,085.00
69101038	Compressor 3 phase (105 model)	20	7,900.00	9,085.00
69101014SA	Compressor 3 phase (125 & 150 models)	20	3,500.00	4,025.00
69101236M	56" Large W/Dcoil 19/23kW	34	3,400.00	3,910.00
69101302	Refrigerant Distributor 3/8" - 6 tubes	25	17.30	19.90
69101345	Filter/Dryer	26	129.00	148.35
69101365	Expansion Valve (150 model)	27	820.00	943.00
69051317	Capillary - 132" (85 model)	28	117.00	134.55
69051319	Capillary - 240" (105 model)	28	112.00	128.80
69051320	Capillary - 180" (125 model)	29	87.50	100.63
69101355	Orifice G6 (150 model)	30	48.90	56.24
69201500	Fan Motor Protective Cone	37	158.00	181.70
69301006	Fan Motor 1/6 hp 900/1075 rpm (85)	40	600.00	690.00
69301004	Fan Motor 1/4 hp 900 rmp (105, 125 & 150)	41	620.00	713.00
69301106	Fan Blade Plastic 20" (85 model)	42	209.00	240.35
69301107	Fan Blade 22" (105, 125, and 150 models)	43	189.00	217.35
69400001	Transformer 240/24-12V	44	102.00	117.30
69400002	24V Fan Relay	45	44.10	50.72
69401002	High Pressure Switch 250-425PSI	46	100.00	115.00
69401003	Low Pressure Switch 25-50PSI	47	100.00	115.00
69401005	Defrost Control	48	36.80	42.32
69401006	Water Pressure Switch	49	106.00	121.90
69801512	Retaining Ring Pressure Switch	N/S	2.10	2.42
69401016	24V Time Delay - 3min	50	217.00	249.55
69501009	Contactactor 40A/24V 3 Poles	51	160.00	184.00
69501103	Fan Run Capacitor (85 model)	52	19.60	22.54
69501205	Green Light - 250V - 28" wires	54	44.10	50.72
69601103	Fan Grill (85 model)	57	262.00	301.30
69601104	Fan Grill (105, 125, and 150 models)	58	330.00	379.50
122243B	Mac Half Union 40mm Black		10.80	12.42

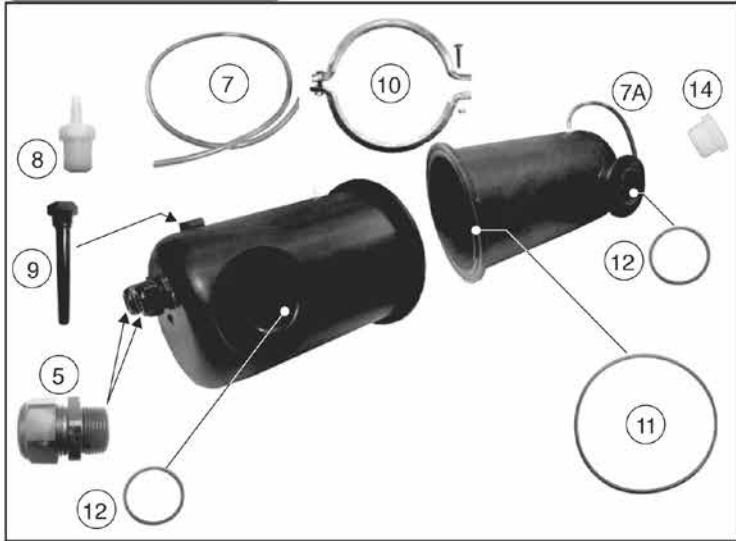
\* Please refer to diag on page 327

# ELECTROHEAT PLUS MKI

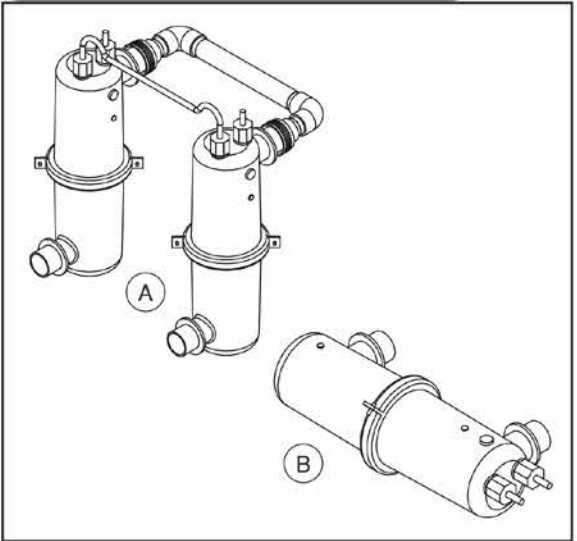
Models 85,105,125 150 single and three phase



**Heat Exchanger Parts**



**Heat Exchanger Assemblies Complete**





# ELECTROHEAT TITANIUM MKII Models 55 & 80 Single Phase

## ELECTROHEAT PLUS MKII Model 85 Single Phase

R407C MANUFACTURED FROM OCT 2009 - JAN 2011

(\*Important: Please identify the appropriate part number related to the manufacturing date)

Part Number	Product Description	Diagram Number	List Price	Price Inc Gst
69201524	Cabinet Ventilation Cap	5	37.50	43.13
69101008DS	Compressor Scroll 4hp R407C (55)	6	4,187.10	4,815.17
69101012	Compressor Plus 105	6	7,367.10	8,472.17
<b>ELECTRICAL</b>				
69501103	Fan Motor Capacitor 5mf - 370 VAC	10	19.60	22.54
69401006	Water Pressure Switch	11	106.00	121.90
69801512	Retaining Ring Pressure Switch	11	2.10	2.42
69501008	Contactora	12	160.00	184.00
69400001	Transformer	13	102.00	117.30
69400002	Fan Relay 24V	14	44.10	50.72
69501110	70 mf - 440 VAC	15		
69201303	Tube PVC 30"	16	9.70	11.16
69501119	Start Assist (55, 80)	19	63.00	72.45
69401002F	426 - 325 PSI Flare R407C	20		
69401003	25 - 50 PSI Flare R407C	21	100.00	115.00
69101319	Access Valve Schrader	22	3.20	3.68
69402000	EH Control Assy - All Models		780.00	897.00
69401030	Defrost Sensor Probe - Yellow	25	21.40	24.61
69401031	Water Temperature Sensor Probe - Black	26	27.50	31.63
<b>HEAT EXCHANGER</b>				
69101230	20' Small Align (55)	32	2,200.00	2,530.00
69101236M	56' Large Align W/Dcoil 19/23kW	34	3,400.00	3,910.00
122243B	40mm Half Union c/w O Ring Black	43	10.80	12.42
69051359	Connecting Tube (55, 80)	44		
<b>FILTER DRYER</b>				
69101345	½" X 1½" OD	49	129.00	148.35
<b>CAPILLARIES &amp; EXPANSION VALVE</b>				
69101409	Capillaries 6 X 22" TC 64 (80)	50	117.00	134.55
69101372	Expansion Valve 5 Tons R407C (85)	50	510.00	586.50
<b>FAN GUARD</b>				
69601128	Compact Small (55)	51	155.00	178.25
69601129	Compact Large (80)	51	243.00	279.45
69601103	Round Medium (85)	51	262.00	301.30
<b>FAN MOTOR</b>				
69301008	1/8 hp 900 (55, 80)	52	560.00	644.00
69301006	1/6 hp 900/1075 RPM (85)	52	600.00	690.00
<b>FAN BLADES</b>				
69301110P	Fan Blades 14" (55)	53	75.00	86.25
69301103P	Fan Blades 16" (80)	53	195.00	224.25
69301106	Fan Blades 20" (85)	53	209.00	240.35
<b>CANISTER</b>				
69051351	Inlet large (85)	56	2,200.00	2,530.00
69201344	Stabilization Bar 9" (85) Required 1 each for both inlet & outlet	56	44.10	50.72
69201359	Plastic Clamp Band (one piece)	64	52.50	60.38
69801504	Rubber O Ring	65	7.10	8.17
69201300	Cable Gland ¾ NPT	66	10.40	11.96
69201306	Hose Nipple	67	1.40	1.61
69201357	Hose Nipple O Ring	67	4.30	4.95
69201319	Thermostat Well 67.5 mm	68	3.20	3.68
69201320	Thermostat Well O Ring		4.30	4.95
69501205	Light Indicator (85)	N/S	44.10	50.72
W22125	Plug ⅜" BSP Heat Pump			

\* Please refer to diag on page 332

# ELECTROHEAT PLUS MKII

## Models 85, 105, 125 & 150 Three Phase

R407C MANUFACTURED FROM OCT 2009 - JAN 2011

(\*Important: Please identify the appropriate part number related to the manufacturing date)

Part Number	Product Description	Diagram Number	List Price	Price Inc Gst
69201524	Cabinet Ventilation Cap	5	40.10	46.12
69101038	Compressor Scroll 5hp R407C (85)	6	7,900.00	9,085.00
69101047	Compressor Scroll 8hp R407C (150)	6	7,550.00	8,682.50
<b>ELECTRICAL</b>				
69501103	Fan Motor Capacitor 5mf - 370 VAC	10	19.60	22.54
69401006	Water Pressure Switch	11	106.00	121.90
69801512	Retaining Ring Pressure Switch	11	2.10	2.42
69501009	Contactator	12	160.00	184.00
69400001	Transformer	13	102.00	117.30
69400002	Fan Relay 24V	14	44.10	50.72
69401017	Phase Monitor	15	440.00	506.00
69201303	Clear Rubber Hose	16	9.70	11.16
69401002F	426 - 325 PSI Flare R407C	20	0.00	
69401003	25 - 50 PSI Flare R407C	21	100.00	115.00
69101319	Acces Valve Schrader	22	3.20	3.68
69402000	EH Control Assy - All Models	23	780.00	897.00
69401030	Defrost Sensor Probe - Yellow	25	21.40	24.61
69401031	Water Temperature Sensor Probe - Black	26	27.50	31.63
<b>HEAT EXCHANGER</b>				
69101236M	56' Large Align W/Dcoil 19/23kW	34	3,400.00	3,910.00
69101225	16' Small Opposite - In (Right) (105)	35	2,450.00	2,817.50
69101226	16' Small Opposite - Out (Left) (105)	36	2,450.00	2,817.50
69101227	20' Small Opposite - In (Right) (125)	37	2,550.00	2,932.50
69101228	20' Small Opposite - Out (Left) (125)	38	2,550.00	2,932.50
69101231	24' Large Opposite - In (Right) (150)	39	2,600.00	2,990.00
69101232	24' Large Opposite - Out (Left) (150)	40	2,600.00	2,990.00
122243B	40mm Half Union c/w O Ring Black	43	10.80	12.42
69051359	Connecting Tube	44		
<b>FILTER DRYER</b>				
69101345	½" X 1½" OD (85)	49	129.00	148.35
69101339	½" ODF 5 Tons (105, 125 & 150)	49	90.00	103.50
<b>EXPANSION VALVE</b>				
69101359	Expansion Valve 4 Tons R407C	50	510.00	586.50
69101372	Expansion Valve 5 Tons R407C (85)	50	510.00	586.50
69101365	Expansion Valve 6 Tons R407C (105)	50	820.00	943.00
<b>FAN GUARD</b>				
69601103	Round Medium (85)	51	262.00	301.30
69601104	Round Large (105, 125 & 150)	51	330.00	379.50
<b>FAN MOTOR</b>				
69301006	¼ hp 900/1075 RPM (85)	52	600.00	690.00
69301004	¼ hp 900 RPM (105, 125 & 150)	52	620.00	713.00
<b>FAN BLADES</b>				
69301106	Fan Blades 20" (85)	55	209.00	240.35
69301107	Fan Blades 22" (105, 125 & 150)	55	189.00	217.35
<b>CANISTER</b>				
69201359	Plastic Clamp Band (one piece)	64	52.50	60.38
69801504	Rubber O Ring	65	7.10	8.17
69201300	Cable Gland ¾ NPT	66	10.40	11.96
69201306	Hose Nipple	67	1.40	1.61
69201357	Hose Nipple O Ring	67	4.30	4.95
69201319	Thermostat Well 67.5 mm	68	3.20	3.68
69201320	Thermostat Well O Ring		4.30	4.95
69501205	Light Indicator	N/S	44.10	50.72
W22125	Plug ½" BSP Heat Pump			

\* Please refer to diag on page 332

# ELECTROHEAT TITANIUM MKIII Models 16kW & 23kW Single Phase

## ELECTROHEAT PLUS MKIII Model 25kW Single Phase

MANUFACTURED FROM JAN 2011 TO DATE.

(\*Important: Please identify the appropriate part number related to the manufacturing date)

Part Number	Product Description	Diagram Number	List Price	Price Inc Gst
69201524	Cabinet Ventilation Cap	5	40.10	46.12
69101008DS	Compressor Scroll 4hp R407C (16KW)	6	4,500.00	5,175.00
69101075DS	Compressor Scroll 5hp R410A (23KW)	6	4,400.00	5,060.00
69101076DS	Compressor Scroll 6hp R410A (25KW)	6	4,750.00	5,462.50
<b>ELECTRICAL</b>				
69501103	Fan Motor Capacitor 5mf - 370 VAC	10	19.60	22.54
69401006	Water Pressure Switch	11	106.00	121.90
69801512	Retaining Ring Pressure Switch	11	2.10	2.42
69501008	Contactator	12	160.00	184.00
69400001	Transformer	13	102.00	117.30
69400002	Fan Relay 24V	14	44.10	50.72
69501106	55 mf - 440 VAC (23KW)	15	70.00	80.50
69201303	Tube PVC 30"	16	9.70	11.16
69501119	Start Assist (16KW, 23KW)	19	63.00	72.45
69401002F	426 - 325 PSI Flare R407C	20		
69401034V	565 - 400 PSI Flare R410A	20	68.00	78.20
69401003	25 - 50 PSI Flare R407C	21	100.00	115.00
69401033V	55 - 75 PSI Flare R410A	21	68.00	78.20
69101311	Acces Valve Schrader 5/16"	22	11.40	13.11
69402000	EH Control Assy - All Models		780.00	897.00
69401030	Defrost Sensor Probe - Yellow	25	21.40	24.61
69401031	Water Temperature Sensor Probe - Black	26	27.50	31.63
<b>HEAT EXCHANGER</b>				
69101230	20' Small Align (16KW)	32	2,200.00	2,530.00
69101236M	56' Large Align W/Dcoil 19/23kw	34	3,400.00	3,910.00
122243B	40mm Half Union c/w O Ring Black	43	10.80	12.42
<b>FILTER DRYER</b>				
69101345	½" X 1 ⅝" OD	49	129.00	148.35
<b>CAPILLARIES &amp; EXPANSION VAIVE</b>				
69101377	Expansion Valve 5 Tons R410A (25KW)	50	1,000.00	1,150.00
<b>FAN</b>				
69601128	Compact Small (16KW) Guard	51	155.00	178.25
69601129	Compact Large (23KW) Guard	51	243.00	279.45
69601103	Round Medium (25KW) Guard	51	262.00	301.30
69301008	⅛ hp 900 (16KW, 23KW) Fan Motor	52	560.00	644.00
69301006	⅛ hp 900/1075 RPM (25KW) Fan Motor	52	600.00	690.00
69301110P	Fan Blades 14" (13KW)	53	75.00	86.25
69301103P	Fan Blades 16" (23KW) - old	53	195.00	224.25
69301106P	Fan Blades 20" (25KW)	53	199.00	228.85
<b>CANISTER</b>				
69051351	Inlet large (25KW)	56	2,200.00	2,530.00
69201344	Stabilization Bar 9" (25KW) Required 1 each for both inlet & outlet	56	44.10	50.72
69201359	Plastic Clamp Band (one piece)	64	52.50	60.38
69801504	Rubber O Ring	65	7.10	8.17
69201300	Cable Gland ¾ NPT	66	10.40	11.96
69201306	Hose Nipple	67	1.40	1.61
69201357	Hose Nipple O Ring	67	4.30	4.95
69201319	Thermostat Well 67.5 mm	68	3.20	3.68
69201320	Thermostat Well O Ring	68	4.30	4.95
69501205	Light Indicator	N/S	44.10	50.72
W22125	Plug ⅛" BSP Heat Pump			

\* Please refer to diag on page 332

# ELECTROHEAT PLUS MKIII

## Models 25kW, 31kW, 37kW & 44kW Three Phase

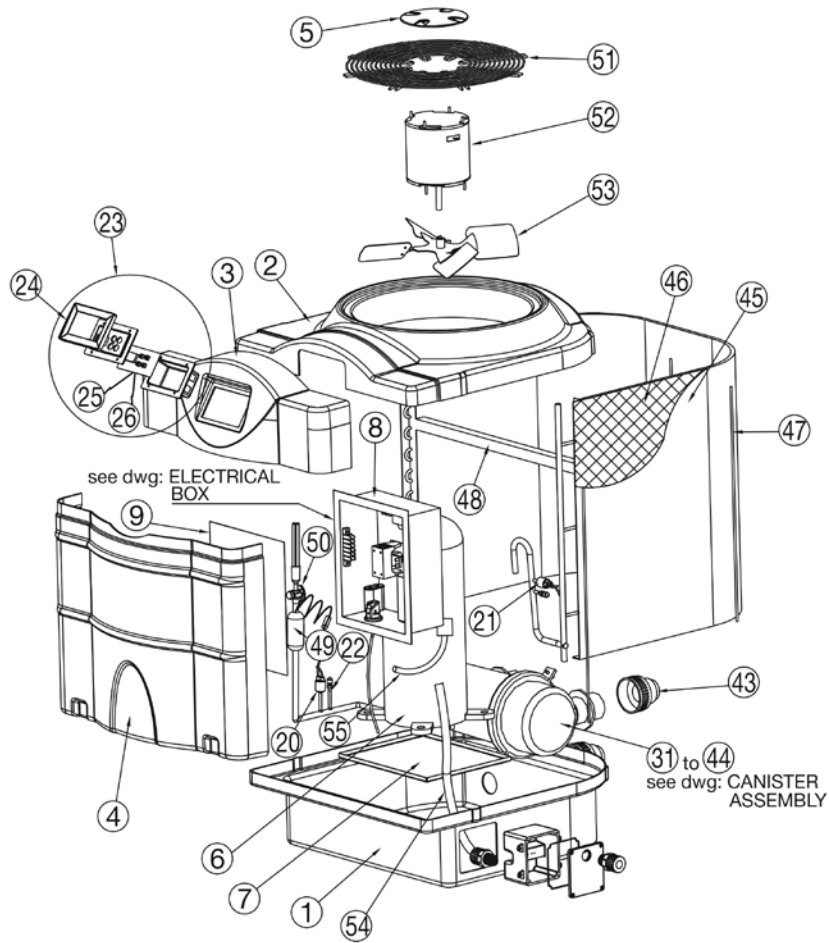
MANUFACTURED FROM JAN 2011 TO DATE.

(\*Important: Please identify the appropriate part number related to the manufacturing date)

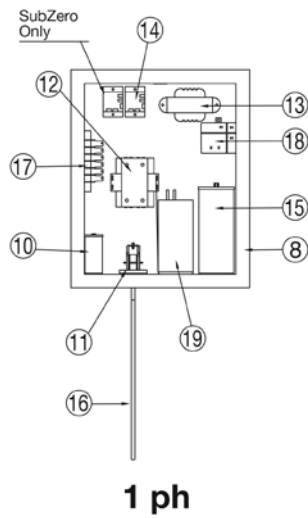
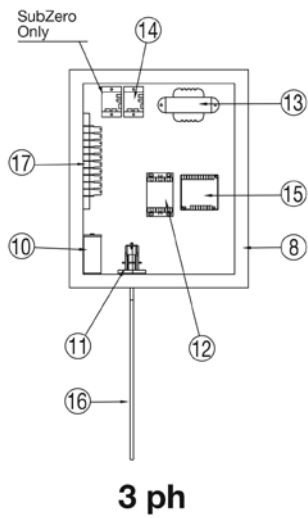
Part Number	Product Description	Diagram Number	List Price	Price Inc Gst
69201524	Cabinet Ventilation Cap	5	40.10	46.12
69101071SA	Compressor Scroll 8hp R410A (37KW)	6	4,600.00	5,290.00
69101072SA	Compressor Scroll 10hp R410A (44KW)	6	6,900.00	7,935.00
<b>ELECTRICAL</b>				
69501103	Fan Motor Capacitor 5mf - 370 VAC	10	19.60	22.54
69401006	Pressure switch	11	106.00	121.90
69801512	Flat Washer	11	2.10	2.42
69501009	Contactactor	12	160.00	184.00
69400001	Transformer	13	102.00	117.30
69400002	Relay 24V	14	44.10	50.72
69401017	Phase Monitor	15	440.00	506.00
69201303	Clear Rubber Hose	16	9.70	11.16
69401034V	565 - 400 PSI Flare R410A	20	68.00	78.20
69401033V	55 - 75 PSI Flare R410A	21	68.00	78.20
69101311	Acces Vavle Schrader 5/16"	22	11.40	13.11
69402000	EH Control Assy - All Models		780.00	897.00
69401030	Defrost Sensor Probe - Yellow	25	21.40	24.61
69401031	Water Temperature Sensor Probe - Black	26	27.50	31.63
<b>HEAT EXCHANGER</b>				
69101236M	56' Large Align W/Dcoil 19/23kW	34	3,400.00	3,910.00
69101227	20' Small Opposite - In (Right) (31KW, 37KW)	37	2,550.00	2,932.50
69101228	20' Small Opposite - Out (Left) (31KW, 37KW)	38	2,550.00	2,932.50
69101233	28' Large Opposite - In (Right) (44KW)	41	1,700.00	1,955.00
69101234	28' Large Opposite - Out (Left) (44KW)	42	1,700.00	1,955.00
122243B	40mm Half Union c/w O Ring Black	43	10.80	12.42
<b>FILTER DRYER</b>				
69101345	½" X 1½" OD (25KW)	49	129.00	148.35
69101339	½" ODF 5 Tons (31KW, 37KW & 44KW)	49	90.00	103.50
<b>EXPANSION VALVE</b>				
69101377	Expansion Valve 5 Tons R410A (25KW)	50	1,000.00	1,150.00
69101378	Expansion Valve 6 Tons R410A (31KW)	50	1,250.00	1,437.50
69101379	Expansion Valve 8 Tons R410A (37KW)	50	1,200.00	1,380.00
69101380	Expansion Valve 9 Tons R410A (44KW)	50	930.00	1,069.50
<b>FAN</b>				
69601103	Round Medium (25KW) Guard	51	262.00	301.30
69601104	Round Large (31KW, 37KW & 44KW) Guard	51	330.00	379.50
69301006	½ hp 900/1075 RPM (25KW) Fan Motor	52	600.00	690.00
69301004	¼ hp 900 RPM (31KW, 37KW & 44KW) Fan Motor	52	620.00	713.00
69301106	Fan Blades 20" (16, 25KW)	55	209.00	240.35
69301107	Fan Blades 22" (31KW, 37KW & 44KW)	55	189.00	217.35
<b>CANISTER</b>				
69201359	Plastic Clamp Band (one piece)	64	52.50	60.38
69801504	Rubber O Ring	65	7.10	8.17
69201300	Cable Gland ¾ NPT	66	10.40	11.96
69201306	Hose Nipple	67	1.40	1.61
69201357	Hose Nipple O Ring	67	4.30	4.95
69201319	Thermostat Well 67.5 mm	68	3.20	3.68
69201320	Thermostat Well O Ring	68	4.30	4.95
69501205	Light Indicator	N/S	44.10	50.72
69201217-G	EH Panel Top (31KW, 37KW & 44KW)		640.00	736.00
W22125	Plug ½" BSP Heat Pump			

\* Please refer to diag on page 332

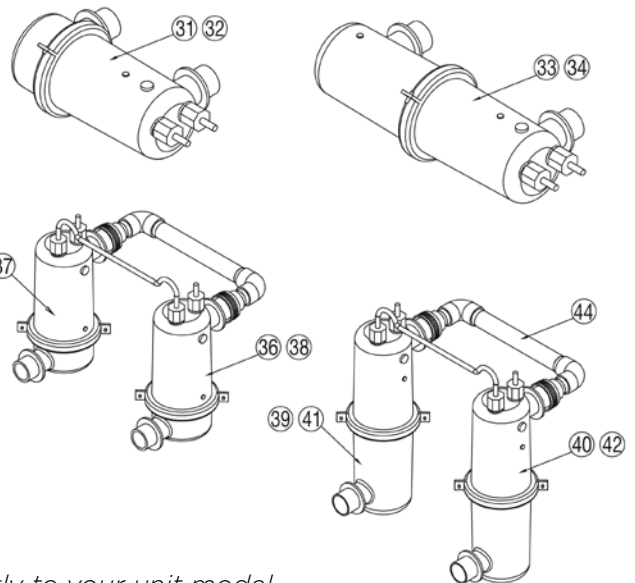
# ELECTROHEAT PLUS MKII & MKIII



**Electrical Box**  
(all models)



**Canister Assembly**  
(all models)



The images are for illustration only and may differ slightly to your unit model.

# ELECTROHEAT SUBZERO

## Models 55 & 75 Single Phase

R407C Manufactured from Oct 2009 up till Jan 2011

(\* Important: Please identify the appropriate part number related to the manufacturing date)

Part Number	Product Description	Diagram Number	List Price	Price Inc Gst
69201524	Ventilation Cap	5	40.10	46.12
69101008DS	Compressor HRP040T5LP6 EH55	6	4,500.00	5,175.00
69101012	Compressor E/Heat Plus 105	6	7,900.00	9,085.00
<b>ELECTRICAL</b>				
69501103	Fan Motor Capacitor 5mf - 370 VAC	10	19.60	22.54
69401006V	Water Pressure Switch	11	74.50	85.68
69501008	Contactora	12	160.00	184.00
69400001	Transformer	13	102.00	117.30
69400002	Fan Relay 24 V	14	44.10	50.72
69501017	Run Capacitor 60 nf - 440 VAC (55)	15	55.50	63.83
69501119	Start Assist (75)	19	63.00	72.45
69401002V	425 - 325 PSI Flare R407C	20	81.50	93.73
69401003	25 - 50 PSI Flare R407C	21	100.00	115.00
69101319	Access Valve Schrader	22	3.20	3.68
69401036	Control Assembly - Ultra	23	500.00	575.00
<b>HEAT EXCHANGER</b>				
69101236M	56' Large Align W/Dcoil 19/23kW	34	3,400.00	3,910.00
122243B	40mm Half Union c/w O Ring Black	43	10.80	12.42
<b>FILTER DRYER</b>				
69101340	Bi-Flow ½" ODF 5 Tons		221.00	254.15
<b>EXPANSION VALVE</b>				
69101359	Expansion Valve 4 Tons R407C	50	510.00	586.50
69101372	Expansion Valve 5 Tons Subzero 75	50	510.00	586.50
<b>FAN</b>				
69601103	Round Medium (55) Guard	51	262.00	301.30
69601104	Round Large (75) Guard	51	330.00	379.50
69301006	¼ hp 900/1075 RPM (55) Motor	52	600.00	690.00
69301004	¼ hp 900 RPM (75) Motor		620.00	713.00
69301106	Fan Blades 20" (55)	53	209.00	240.35
69301107	Fan Blades 22" (55)	53	189.00	217.35
<b>CANISTER</b>				
69201359	Plastic Clamp Band (one piece)	64	52.50	60.38
69801504	Rubber O Ring	65	7.10	8.17
69201300	Cable Gland ¾ NPT	66	10.40	11.96
69201306	Hose Nipple	67	1.40	1.61
69201357	Hose Nipple O Ring	67	4.30	4.95
69201319	Thermostat Well 67.5 mm	68	3.20	3.68
69201320	Thermostat Well O Ring	68	4.30	4.95
W22125	Plug ¼" BSP Heat Pump			
<b>OTHERS</b>				
69501205	Light Indicator	70	44.10	50.72
69101362	4 Way Reversing Valve	71	780.00	897.00
69101501	Suction Line Accumulator (55)	72	350.00	402.50
69101502	Suction Line Accumulator (75)	72	540.00	621.00

\* Please refer to diag on page 337

# ELECTROHEAT SUBZERO

## Models 75 & 100 Three Phase

R407C Manufactured from Oct 2009 up till Jan 2011

(\* Important: Please identify the appropriate part number related to the manufacturing date)

Part Number	Product Description	Diagram Number	List Price	Price Inc Gst
69201524	Ventilation Cap	5	40.10	46.12
69101038	Compressor E/Heat Plus 1053PH	6	7,900.00	9,085.00
69101014SA	Compressor Scroll 6 hp 3 ph R407C (100)	6	3,500.00	4,025.00
<b>ELECTRICAL</b>				
69501103	Fan Motor Capacitor 5mf - 370 VAC	10	19.60	22.54
69401006V	Pressure Switch	11	74.50	85.68
69501009	Contactator	12	160.00	184.00
69400001	Transformer	13	102.00	117.30
69400002	Fan Relay 24 V	14	44.10	50.72
69401017	Phase Monitor	15	440.00	506.00
69401002V	High Pressure Switch R407c Flare Type	20	81.50	93.73
69401003	25 - 50 PSI Flare R407C	21	100.00	115.00
69101319	Access Valve Schrader	22	3.20	3.68
69401036	Control Assembly - Ultra	23	500.00	575.00
<b>HEAT EXCHANGER</b>				
69101236M	56' Large Align W/Dcoil 19/23kW	34	3,400.00	3,910.00
69101225	16' Small Opposite - In (right) 100	35	2,450.00	2,817.50
69101226	16' Small Opposite - Out (Left) 100	36	2,450.00	2,817.50
122243B	40mm Half Union c/w O Ring Black	43	10.80	12.42
<b>FILTER DRYER</b>				
69101340	Bi-Flow ½" ODF 5 Tons	49	221.00	254.15
<b>EXPANSION VALVE</b>				
69101359	Expansion Valve 4 Tons (75) R407C	50	510.00	586.50
69101372	Expansion Valve 5 Tons (100) R407C	50	510.00	586.50
<b>FAN</b>				
69601104	Round Large Guard	51	330.00	379.50
69301004	¼ hp 900 RPM Motor	52	620.00	713.00
69301107	Fan Blades 22"	53	189.00	217.35
<b>CANISTER</b>				
69201359	Plastic Clamp Band (one piece)	64	52.50	60.38
69801504	Rubber O Ring	65	7.10	8.17
69201300	Cable Gland ¾ NPT	66	10.40	11.96
69201306	Hose Nipple	67	1.40	1.61
69201357	Hose Nipple O Ring	67	4.30	4.95
69201319	Thermostat Well 67.5 mm	68	3.20	3.68
69201320	Thermostat Well O Ring	68	4.30	4.95
W22125	Plug ⅛" BSP Heat Pump			
<b>OTHERS</b>				
69801616	Sound Blanket (100)	69	350.00	402.50
69501205	Light Indicator	70	44.10	50.72
69101362	4 Way Reversing Valve	71	780.00	897.00
69101502	Suction Line Accumulator	72	540.00	621.00

\* Please refer to diag on page 337

# ELECTROHEAT ULTRA

## Models 16kW & 22kW Single Phase

R410 Manufactured since Jan 2011 to date

\* Important: Please identify the appropriate part number related to the manufacturing date

Part Number	Product Description	Diagram Number	List Price	Price Inc Gst
69201524	Ventilation Cap	5	40.10	46.12
69101076DS	Compressor Scroll 6 hp R410A (22KW)	6	4,750.00	5,462.50
69101074SA	Compressor Scroll 4.5 hp R410A (19KW)		3,700.00	4,255.00
<b>ELECTRICAL</b>				
69501103	Fan Motor Capacitor 5mf - 370 VAC	10	19.60	22.54
69401006V	Pressure switch	11	74.50	85.68
69501008	Contactora	12	160.00	184.00
69400001	Transformer	13	102.00	117.30
69400002	Fan Relay 24 V	14	44.10	50.72
69501017	Run Capacitor 60 mf - 440 VAC (16KW)	15	55.50	63.83
69501106	Run Capacitor 55 mf - 440 VAC (22KW)	15	70.00	80.50
69501119	Start Assist (22KW)	19	63.00	72.45
69401034V	565 - 400 PSI Flare R410A	20	68.00	78.20
69401033V	55 - 75 PSI Flare R410A	21	68.00	78.20
69101311	Acces Valve Schrader 5/16"	22	11.40	13.11
69401036	Control Assembly - multi functions	23	500.00	575.00
<b>HEAT EXCHANGER</b>				
69101225	16' Small Opposite - In (Right) 22KW	35	2,450.00	2,817.50
69101226	16' Small Opposite - Out (Left) 22KW	36	2,450.00	2,817.50
122243B	40mm Half Union c/w O Ring Black	43	10.80	12.42
69101236M	Heat Exchanger 56' Large With Double Coil (19KW, 23KW)		3,400.00	3,910.00
<b>FILTER DRYER</b>				
69101340	Bi-Flow ½" ODF 5 Tons	49	221.00	254.15
<b>EXPANSION VALVE</b>				
69101381	Expansion Valve 4 Ton R410A	50	1,000.00	1,150.00
<b>FAN</b>				
69601103	Round Medium (16KW) Guard	51	262.00	301.30
69601104	Round Large (22KW) Guard	51	330.00	379.50
69301006	½ hp 900/1075 RPM (16KW) Motor	52	600.00	690.00
69301004	¼ hp 900 RPM (22KW) Motor	52	620.00	713.00
69301106	Fan Blades 20" (16KW)	53	209.00	240.35
69301107	Fan Blades 22" (22KW)	53	189.00	217.35
<b>CANISTER</b>				
69201359	Plastic Clamp Band (one piece)	64	52.50	60.38
69801504	Rubber O Ring	65	7.10	8.17
69201300	Cable Gland ¾ NPT	66	10.40	11.96
69201306	Npple ½" Barb (3 required)		1.40	1.61
69201357	Hose Nipple O Ring	67	4.30	4.95
69201319	Thermostat Well 67.5 mm	68	3.20	3.68
69201320	Thermostat Well O Ring	68	4.30	4.95
W22125	Plug ½" BSP Heat Pump			
<b>OTHERS</b>				
69501205	Light Indicator	70	44.10	50.72
69101362	4 Way Reversing Valve	71	780.00	897.00
69101501	Suction Line Accumulator	72	350.00	402.50
69401030	Defrost Sensor Probe - Yellow		21.40	24.61
69401031	Water Temperature Sensor Probe - Black		27.50	31.63

\* Please refer to diag on page 337



# ELECTROHEAT ULTRA

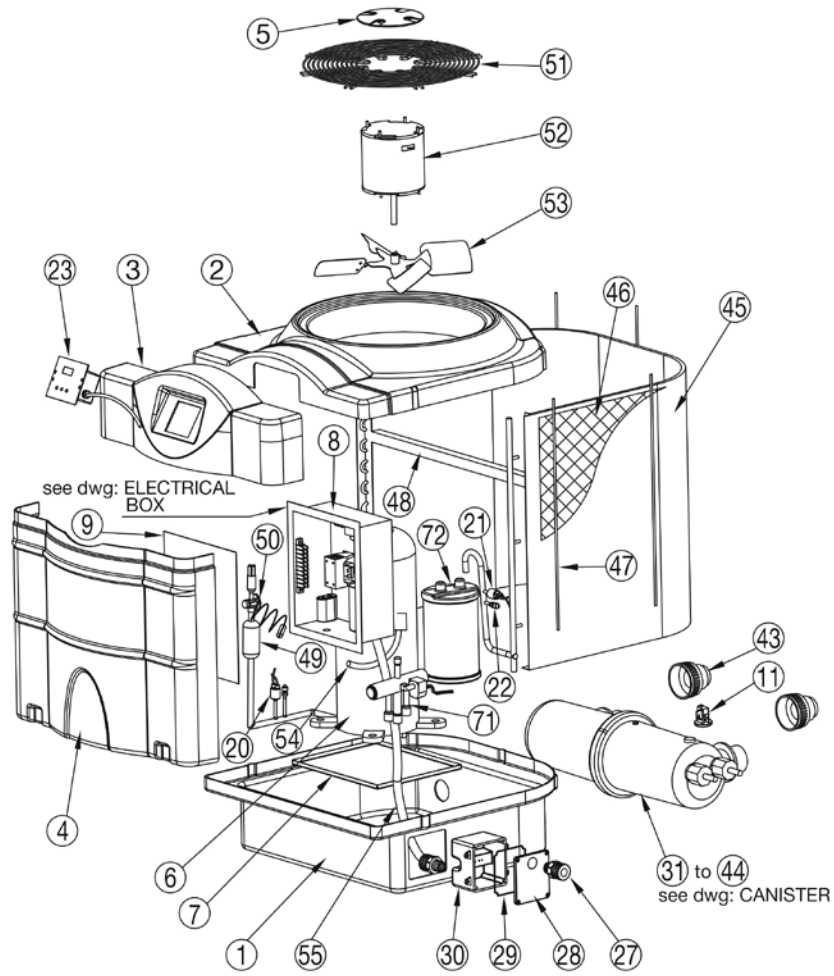
## Models 22kW, 31kW & 44kW Three Phase

R410 Manufactured since Jan 2011 to date

Part Number	Product Description	Diagram Number	List Price	Price Inc Gst
69201524	Ventilation Cap	5	40.10	46.12
69101014SA	Compressor Scroll 6 hp R407C (22KW)	6	3,500.00	4,025.00
69101065SA	Compressor Scroll 6 hp R410A (22KW)	6	5,600.00	6,440.00
69101070SA	Compressor Scroll 7 hp R410A (31KW)	6	7,550.00	8,682.50
69101072SA	Compressor Scroll 10hp (44KW)	6	6,900.00	7,935.00
<b>ELECTRICAL</b>				
69501103	Fan Motor Capacitor 5mf - 370 VAC	10	19.60	22.54
69401006V	Pressure Switch	11	74.50	85.68
69501009	Contactator	12	160.00	184.00
69400001	Transformer	13	102.00	117.30
69400002	Relay 24 V	14	44.10	50.72
69401017	Phase Monitor	15	440.00	506.00
69401002V	High Pressure Switch R407c Flare Type	20	81.50	93.73
69401034V	565 - 400 PSI Flare R410A (all Models)	20	68.00	78.20
69101311	Access Valve Schrader 5/16"	22	11.40	13.11
69401036	Control Assembly Multi functions	23	500.00	575.00
<b>HEAT EXCHANGER</b>				
69101225	16' Small Opposite - In (Right) 22KW	35	2,450.00	2,817.50
69101226	16' Small Opposite - Out (Left) 22KW	36	2,450.00	2,817.50
69101227	20' Small Opposite - In (Right) 29KW	37	2,550.00	2,932.50
69101228	20' Small Opposite - Out (Left) 29KW	38	2,550.00	2,932.50
69101236MR	Large Opposite - In (Right) 44KW		3,300.00	3,795.00
69101236ML	Large Opposite - Out (Left) 44KW		3,300.00	3,795.00
122243B	40mm Half Union c/w O Ring Black	43	10.80	12.42
<b>FILTER DRYER</b>				
69101340	Bi-Flow ½" ODF 5 Tons		221.00	254.15
<b>EXPANSION VALVE</b>				
69101372	Expansion Valve 5 Ton R407C (22KW)	50	510.00	586.50
69101377	Expansion Valve 5 Ton R410A (22KW)	50	1,000.00	1,150.00
69101378	Expansion Valve 6 Ton R410A (31KW)	50	1,250.00	1,437.50
69101380	Expansion Valve 9 Ton R410A (44KW)		930.00	1,069.50
<b>FAN</b>				
69601104	Round Large Guard	51	330.00	379.50
69301004	¼ hp 900 RPM Fan Motor	52	620.00	713.00
69301107	Fan Blades 22"	53	189.00	217.35
<b>CANISTER</b>				
69201359	Plastic Clamp Band (one piece)	64	52.50	60.38
69801504	Rubber O Ring	65	7.10	8.17
69201300	Cable Gland ¾ NPT	66	10.40	11.96
69201306	Nipple ½" Barb (3 required)		1.40	1.61
69201357	Hose Nipple O Ring	67	4.30	4.95
69201319	Thermostat Well 67.5 mm	68	3.20	3.68
69201320	Thermostat Well O Ring	68	4.30	4.95
W22125	Plug ⅛" BSP Heat Pump			
<b>OTHERS</b>				
69501205	Light Indicator	70	44.10	50.72
69101362	4 Way Reversing Valve	71	780.00	897.00
69101501	Suction Line Accumulator	72	350.00	402.50
69201217-G	Top Panel (29KW & 44KW)		640.00	736.00

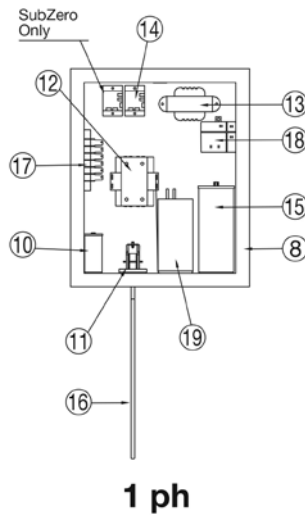
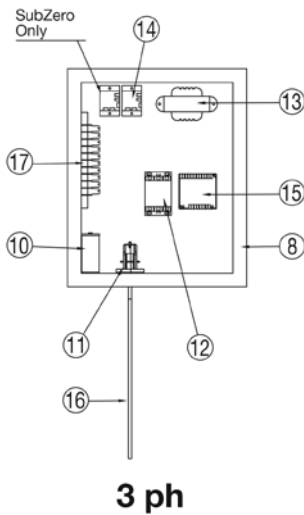
\* Please refer to diag on page 337

# ELECTROHEAT SUBZERO AND ULTRA



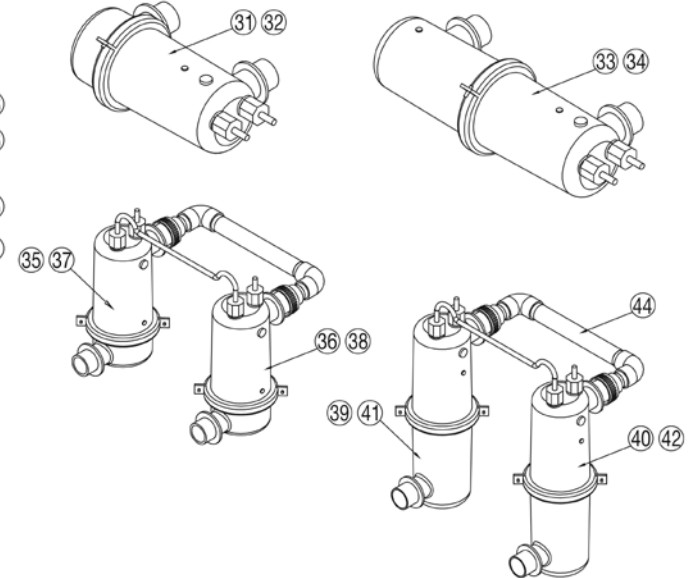
## Electrical Box

(all models)



## Canister Assembly

(all models)



# ELECTROHEAT MKIV & ULTRA

Product Code: 278092, 278094, 278122, 278151, 278191, 278231, 2781911, 2782311

Part Number	Product Description	Diagram Number	List Price	Price Inc Gst
69101024HI	Compressor Rotary 2.4 HP R410 ASH218SV-C8LU 220/240-50-1 10-1024HI - 9KW		1,250.00	1,437.50
69101083HI	Compressor Rotary 3 HP R410 ASH264SV-C8LU 220/240-50-1 10-1083HI - 12KW		2,000.00	2,300.00
69101084HI	Compressor Rotary 3.2 HP R410 ATH280TV-C9LU 220/240-50-1 10-1084HI - 15KW		2,050.00	2,357.50
69101074SA	Compressor Scroll 4.5 HP R410A 220/240-50-1 C-SBP160H15A 10-1074SA - 19KW		3,700.00	4,255.00
69101076DS	Compressor Scroll 6.0 HP R410A 220/240-50-1 HLH068T5LC6 10-1076DS - 23KW		4,750.00	5,462.50
<b>HEAT EXCHANGER</b>				
69051348	Heat Exchanger E/Heat 80 24" Large Align		2,150.00	2,472.50
69101235M	Heat Exchanger 28' Small Align With Double Coil 10-1235M - 9KW (278095, 12KW & 15KW)		2,700.00	3,105.00
69101236M	Heat Exchanger 56' Large Align With Double Coil 10-1236M - 19KW & 23KW		3,400.00	3,910.00
69201300	¾" Liquid Tight Connector H/Pump 20-1300 - ALL		10.40	11.96
122243B	40mm Half Union C/W O Ring Black - All		10.80	12.42
69201319	Thermostat Well - All		3.20	3.68
69201320	Thermostat Well O Ring - All		4.30	4.95
W22125	Plug ½" BSP Heat Pump			
<b>CAPILLARY</b>				
69051361	Capillary Kit With Distributor 3 X 21" TC54 - 9KW, 12KW & 15KW		239.00	274.85
69101388	Bi Flow Distributor Assembly #89 With Strainer ¾" - 19KW		550.00	632.50
69101389	Bi Flow Distributor Assembly #102 With Strainer ¾" 23KW		670.00	770.50
69401379	Reversing Valve Assembly Ultra - 19KW & 23KW		1,150.00	1,322.50
<b>ELECTRICAL</b>				
69401006V	Flow Pressure Switch Adjustable - Flare ¾ Npt 40-1006a-V - All		74.50	85.68
69301023	Fan Motor 45W 208-230 50/60Hz 6P - All		231.00	265.65
69301116	Fan Blades 18" 12.7MM PP + Fibre - All		172.00	197.80
69601131	Fan Guard 18" - ALL		207.00	238.05
69501008	Contactore - ALL		160.00	184.00
69400001	Transformer - ALL		102.00	117.30
69400002	Fan Relay 24V - ALL		44.10	50.72
69402000	Heat Pump Control Assy W Diagnostics - 9KW, 12KW, 15KW, 19KW & 23KW		780.00	897.00
69401036	Heat Pump Control Assy Reversing W/Diagn 40-1036 - Ultra 19KW & 23KW		500.00	575.00
69201531	Escutcheon Assy Black Tinted Clear Cover 20-1531 - All		40.80	46.92
69401033V	Low Press Switch R410 55 - 75 PSI - All		68.00	78.20
69401034V	High Press Switch R410 565 - 400 PSI - All		68.00	78.20
69401030	Defrost Sensor Probe - YELLOW - All		21.40	24.61
69401031	Water Temperature Sensor Probe - Black - All		27.50	31.63
69501121	Fan Motor Run Capacitor 3uf - 450VAC		19.60	22.54
69501105	Comp Run Capacitor 45uf 440VAC		91.00	104.65
69501017	Comp Run Capacitor 60uf 440VAC		55.50	63.83
69501106	Comp Run Capacitor 55uf 440VAC		70.00	80.50
<b>BODY PANELS</b>				
69201940	Base Panel Black - All		179.00	205.85
69201942	Top Panel Black - All		187.00	215.05
69601117	Support Rod Small - All		7.30	8.40
69201941	Front Panel - All		187.00	215.05

# ELECTROHEAT MKV & ULTRA

Product Code: 278095, 278123, 278152, 278192, 278232, 278234, 2782312

Part Number	Product Description	Diagram Number	List Price	Price Inc Gst
69101024HI	Compressor Rotary 2.4 HP R410 ASH218SV-C8LU 220/240-50-1 10-1024HI - 9KW		1,250.00	1,437.50
69101083HI	Compressor Rotary Y 3 HP R410 ASH264SV-C8LU 220/240-50-1 10-1083HI - 12KW		2,000.00	2,300.00
69101084HI	Compressor Rotary 3.2 HP R410 ATH280TV-C9LU 220/240-50-1 10-1084HI - 15KW		2,050.00	2,357.50
69101074SA	Compressor Scroll 4.5 HP R410A 220/240-50-1 C-SBP160H15A 10-1074SA - 19KW		3,700.00	4,255.00
69101076DS	Compressor Scroll 6.0 HP R410A 220/240-50-1 HLH068T5LC6 10-1076DS - 23KW		4,750.00	5,462.50
<b>HEAT EXCHANGER</b>				
69051348	Heat Exchanger E/Heat 80 24" Large Align		2,150.00	2,472.50
69101235M	Heat Exchanger 28' Small Align With Double Coil 10-1235M - 9KW (278095, 12KW & 15KW)		2,700.00	3,105.00
69101236M	Heat Exchanger 56' Large Align With Double Coil 10-1236M - 19KW & 23KW		3,400.00	3,910.00
69201300	¾" Liquid Tight Connector H/Pump 20-1300 - All		10.40	11.96
122243B	40mm Half Union C/W O Ring Black - All		10.80	12.42
69201319	Thermostat Well - All		3.20	3.68
69201320	Thermostat Well O Ring - All		4.30	4.95
W22125	Plug ½" BSP Heat Pump			
<b>CAPILLARY</b>				
69051361	Capillary Kit With Distributor 3 X 21" TC54 - 9KW, 12KW & 15KW		239.00	274.85
69101388	Bi Flow Distributor Assembly #89 With Strainer ¾" - 19KW		550.00	632.50
69101389	Bi Flow Distributor Assembly #102 With Strainer ¾" 23KW		670.00	770.50
69401379	Reversing Valve Assembly Ultra - 19KW & 23KW		1,150.00	1,322.50
<b>ELECTRICAL</b>				
69401006V	Flow Pressure Switch Adjustable - Flare ¾ NPT 40-1006A-V - All		74.50	85.68
69301023	Fan Motor 45W 208-230 50/60Hz 6P - All		231.00	265.65
69301116	Fan Blades 18" 12.7mm PP + Fibre - All		172.00	197.80
69601131	Fan Guard 18" - All		207.00	238.05
69501008	Contactore - All		160.00	184.00
69400001	Transformer - All		102.00	117.30
69400002	Fan Relay 24V - All		44.10	50.72
69402000	Heat Pump Control Assy W Diagnostics - 9KW, 12KW, 15KW, 19KW & 23KW		780.00	897.00
69401036	Heat Pump Control Assy Reversing W/Diagn 40-1036 - Ultra 19KW & 23KW		500.00	575.00
69201531	Escutcheon Assy Black Tinted Clear Cover 20-1531 - All		40.80	46.92
69401033V	Low Press Switch R410 55 - 75 PSI - All		68.00	78.20
69401034V	High Press Switch R410 565 - 400 PSI - All		68.00	78.20
69401030	Defrost Sensor Probe - Yellow - All		21.40	24.61
69401031	Water Temperature Sensor Probe - Black - All		27.50	31.63
69501121	Fan Motor Run Capacitor 3uf - 450VAC		19.60	22.54
69501105	Comp Run Capacitor 45uf 440VAC		91.00	104.65
69501017	Comp Run Capacitor 60uf 440VAC		55.50	63.83
69501106	Comp Run Capacitor 55uf 440VAC		70.00	80.50
69501119	Start Assist		63.00	72.45
<b>BODY PANELS</b>				
69601117	Support Rod Small - All		7.30	8.40
69201946	Base Panel - All		123.00	141.45
69201943	Top Panel - Pewter		267.00	307.05
69201944	Front Panel - Pewter		510.00	586.50
69201945	Corner Panel - Pewter with Jbox cutout		365.00	419.75

# ELECTROHEAT ECO V INVERTER TV 12KW

Product Code: 2781210

Part Number	Product Description	Diagram Number	List Price	Price Inc Gst
<b>COMPRESSOR</b>				
69405523	Compressor Rotary Inverter Mitsubishi R410a		2,450.00	2,817.50
69405524	Thermoacoustic Compressor Jacket		203.00	233.45
<b>SWITCH</b>				
69405525	High Pressure Switch Off 3.6MPA (522 PSI)		165.00	189.75
69405526	Low Pressure Switch Off 0.09MPA (13 PSI)		165.00	189.75
69101311	Access Valve 5/16"		11.40	13.11
69401035	Flow Switch 240Vac 21A		455.00	523.25
<b>CONTROLLER</b>				
69405527	Inverter Controller System 3 Hp		2,800.00	3,220.00
69405528	Inverter Controller Cover		41.20	47.38
694055430	Controller Display Inverter		150.00	172.50
694055440	PCB Inverter Controller Board		1,700.00	1,955.00
69405545	Communication Cable Inverter			
69405546	Temperature Sensor 10K L725mm Inverter			
69405547	Temperature Sensor x 3-L 1.2m 10K LO.7m (10K & 50K) Inverter			
69405548	Temperature Sensor 10K L2m Inverter			
69405549	Inductor 500uH/25A Inverter			
<b>HEAT EXCHANGER</b>				
69101235MI	Heat Exchanger 28' Small Align with Double Coil		2,700.00	3,105.00
122243B	Half Union 40mm C/W O Ring Black		10.80	12.42
W22125	Plug 1/8" BSP Heat Pump			
69201319	Thermostat Well 67.5mm		3.20	3.68
69801504	O-ring Canister		7.10	8.17
69405529	Nipple O-Ring			
69405530	Thermostat Well O-Ring			
69405531	Clamp Band Heat Pump		14.10	16.22
69201306	1/8" Barb Nipple Heat Pump		1.40	1.61
69201300	3/4" Liquid Tight Connector 16 mm dia. Seal		10.40	11.96
69405532	Canister Outlet Small		46.80	53.82
W22125	Plug 1/8" BSP Heat Pump			
<b>FILTER DRIER &amp; ACCUMULATOR</b>				
69405533	Filter Drier 5 Tonne		101.00	116.15
69405534	Accumulator		405.00	465.75
<b>CAPPILARIES &amp; EXPANSION VALVE</b>				
69405542	Electronic Expansion Valve		1,000.00	1,150.00
<b>FAN</b>				
69601102	Fan Guard			
69801619	Rubber Grommet		4.30	4.95
69405535	Fan Motor DC280V 120w 8P Ip44		690.00	793.50
69405536	Fan Blade 19.5" 3 Blade Plastic		95.50	109.83
69405537	Fan Cover Black		4.10	4.72
<b>4 WAY REVERSING VALVES</b>				
69405538	4 Way Reversing Valve		202.00	232.30
<b>PANELS</b>				
69405539	Front Panel Inverter Grey		1,250.00	1,437.50
<b>OTHERS</b>				
69405540	Flat Bar Support SS316		97.50	112.13
69801024N	Cap Large - Black Screws		0.40	0.46
69801025	Cap Base For Big Screw Cap		0.30	0.35
69405541	Nylon Screw Cover		0.30	0.35

# ELECTROHEAT ECO V INVERTER TV 17, 21, 25KW

Product Code: 2782510, 2781710, 2782110, 2782513, 2782113, 2781713

Part Number	Product Description	Diagram Number	List Price	Price Inc Gst
69405512	Compressor H420D5VZAAC2 Panasonic R4 10A		5,050.00	5,807.50
69405550	Compressor 5VD330ZAA21 Panasonic R4 10A		2,500.00	2,875.00
<b>SWITCH</b>				
69405509	Temperature sensor (inlet, return water temp, comp return evap coil temp)		16.60	19.09
69405510	Temperature sensor (compressor discharge temp)		25.10	28.87
69405511	Temperature sensor (ambient air temp)		16.60	19.09
69405507	water flow switch(2013)		117.00	134.55
69405517	High pressure switch		46.30	53.25
64905518	Low pressure switch			
<b>CONTROLLER</b>				
69405500	Variable frequency drive module (R410)		3,800.00	4,370.00
69405646	Variable frequency drive module (R32)		1,800.00	2,070.00
69405501	Circuit board		330.00	379.50
69405502	Wired controller (R410)		196.00	225.40
69405627	Wired controller (R32)		193.00	221.95
<b>HEAT EXCHANGER</b>				
69101236M	Heat Exchanger 56' Large Align with double coil		3,400.00	3,910.00
W22125	Plug ½" BSP Heat Pump			
<b>WATER CONNECTIONS</b>				
69405522	Water Inlet / Outlet slip 1½ / 40mm		41.20	47.38
<b>FAN</b>				
69405506	Fan motor YDK-200-6		455.00	523.25
69405521	FAN 0560 169		209.00	240.35
<b>ELECTRICAL</b>				
69405503	Contactactor 35A 5.5KW		254.00	292.10
69405504	Transformer 24V		46.00	52.90
69405505	Fan Mtr Capacitor 10Qf/450V Cbb61C		34.90	40.14
69405508	Relay Jqx-105F- 4/220Ac		43.80	50.37
69405513	Electronic expansion valve			
69405514	Electronic expansion valve coil		133.00	152.95
<b>OTHERS</b>				
69405519	Needle valve R410A		24.50	28.18
69405520	Gas pressure gauge R410A		116.00	133.40
69405515	Four Way Valve STF		430.00	494.50
69405516	Four Way Valve Coil		40.90	47.04

# ELECTROHEAT HEAT & COOL 6D CELSIUS 37KW

Product Code: 2783733HC

Part Number	Product Description	Diagram Number	List Price	Price Inc Gst
<b>COMPRESSOR</b>				
69101071SA	Comp Scroll 8HP R410A 415-3-50 C-SCP270H38A		4,600.00	5,290.00
<b>ELECTRICAL</b>				
69400001	Transformer 240/24-12V 401120f-33		102.00	117.30
69400002	Relay 24V Control Digital		44.10	50.72
69401006	Adj. Water Pressure Flow Switch 240V 21a		106.00	121.90
69501009	Contactactor 40A/24V/3PH		160.00	184.00
69501103	Run Capacitor 5mf Fan - 370VAC		19.60	22.54
69501205	Ind. Light Green 250V 28 Wire		44.10	50.72
69401017	Heat Pump Phase Monitor ICM401		440.00	506.00
69101311	Access VLV Schrader 5/16" Sae Flare Tube ¼"Odx2" Lgx.030th		11.40	13.11
69401034V	High Pressure Switch R410a 3.90 - 2.76 MPA (400-565 PSI) Solder & QC		68.00	78.20
69401033V	Low Pressure Switch 55-75 PSI Solder ACB-2UA913W		68.00	78.20
69405000MHC	Heat Pump Ctrl Assy Reversing W/Diagn Heat & Cool (M)		730.00	839.50
69401031	Temperature Sensor Probe M Double Insulation		27.50	31.63
69401030	Heatpump Defrost Sensor M Double Insulation		21.40	24.61
<b>HEAT EXCHANGER</b>				
69101236ML	Heat Exchanger 56' Large Opposite Left with Double Coil		3,300.00	3,795.00
69101236MR	Heat Exchanger 56' Large Opposite Right with Double Coil		3,300.00	3,795.00
122243B	Half Union 40mm C/W O Ring Black		10.80	12.42
W22125	Plug ½" Bsp Heat Pump			
69201319	Thermostat Well 67.5mm		3.20	3.68
69201306	½" Barb Nipple Heat Pump		1.40	1.61
W22125	Plug ½" Bsp Heat Pump			
<b>FILTER DRIER &amp; ACCUMULATOR</b>				
69101340	Filter Drier Bi-Flow ½" ODF 5 Tons BFK-084S		221.00	254.15
69101501	Suction Line Accumulator 9"		350.00	402.50
<b>CAPPILARIES &amp; EXPANSION VALVE</b>				
69101378	Expansion Valve 6 Tons R410A BBIZE-6-GA-B30		1,250.00	1,437.50
<b>FAN</b>				
69601104	Fan Guard		330.00	379.50
69801619	Rubber Grommet For Fan Guard		4.30	4.95
69301004	Fan Motor 1/4 HP 50 HZ 900 RPM		620.00	713.00
69301107	Fan 4 Blade 22" 32D CCW DIS 1/2		189.00	217.35
<b>4 WAY REVERSING VALVES</b>				
69101362	4 Way Reversing Valve 10 Tons R407C/R410A 10-1362 (STF-04U1G)		780.00	897.00
<b>OTHERS</b>				
69201303	Clear Plastic Tubing 1/8IDX1/4OD 20-1303 W12412		9.70	11.16

# ELECTROHEAT PRO 100

Part Number	Product Description	Diagram Number	List Price	Price Inc Gst
69101082SA	Compressor Scroll 11HP R410A		6,000.00	6,900.00
<b>ELECTRICAL</b>				
69401033V	Low Pressure Switch R410A 55-75 PSI Solder		68.00	78.20
69401034V	High Pressure Switch All R410		68.00	78.20
69401030	Defrost Sensor Probe PNE PCB		21.40	24.61
69401031	Temperature Sensor Probe PNE PCB		27.50	31.63
69301012	Fan Motor 1/2 HP 1075 RPM 2 SP		610.00	701.50
69400001	Transformer 240/24-12 V		102.00	117.30
69401016	Time Delay 24 V - 180 SEC		217.00	249.55
69401017	Phase Monitor		440.00	506.00
69401022	Fan Relay Dpdt Coil 24VAC-35A 275F		129.00	148.35
69501009	Contactactor 40 A - 24 V - 3 Poles		160.00	184.00
69501013	Run Capacitor 10 MF - 370 VAC		36.30	41.75
<b>SWITCH</b>				
69401035	Flow Switch ½" SPST W/36" 240 VAC - 21 A		455.00	523.25
69401006V	Water Pressure Switch Adjustable - Flare 1/8 NPT		74.50	85.68
<b>CONTROLLER</b>				
69401036	Heat Pump Ctrl Assy Reversing W/Diagn 40-1036		500.00	575.00
<b>HEAT EXCHANGER</b>				
69101376G	Filter Drier Emerson ⅝" (16mm) BI Flow Solder Type		3,400.00	3,910.00
<b>FILTER DRYER</b>				
69101376G	Filter Drier Emerson ⅝" (16mm) BI Flow Solder Type			
<b>EXPANSION VALVE</b>				
69101380	Expansion Valve 9 Tonne		930.00	1,069.50
<b>CANISTER</b>				
69201359	Plastic Clamp Band (one piece)		52.50	60.38
69801504	Rubber O Ring for Band Clamp		7.10	8.17
69201300	Heat Exchanger Gland ¾ NPT		10.40	11.96
69201319	Thermostat Well 67.5mm		3.20	3.68
69201320	Thermostat Well O Ring		4.30	4.95
W22125	Plug ⅝" BSP Heat Pump			
<b>OTHERS</b>				
69101362	Reversing Valve 10P SHF-35A-67		780.00	897.00
69301122	Fan Blade 26" 4BL24D		267.00	307.05
69601132	Fan Guard		216.00	248.40



# ELECTROHEAT ECO-V INVERTER SIDE VENT 5, 9, 12, 17kW

Product Code: 2780510, 2780910, 2781211, 2781711

Part Number	Product Description	List Price	Price Inc Gst
69405561	Compressor 9RS102ZAA21(Panasonic) - 5kW	940.00	1,081.00
69405572	Compressor SVB172FNPMC(Mitsubishi) - 9kW	1,550.00	1,782.50
69405575	Compressor 9KD240XCA21(Panasonic) - 12kW	2,250.00	2,587.50
69405582	Compressor 9VD330XAB21-CAZG(Panasonic) - 17kW	2,650.00	3,047.50

## SWITCH

69405554	Water flow switch 3/4"connector, flap	71.00	81.65
69405555	Temperature sensor L=1200, B=3470, XHP2 White(Water IN) 5K	21.80	25.07
69405556	Temperature sensor L=1200, B=3970, XHP2 Black(Compressor OUT) 50K	21.80	25.07
69405557	Temperature sensor L=1000, B=3470, XHP2 Yellow(Ambient) 5K	21.80	25.07
69405558	Temperature sensor L=1200, B=3470, XHP2 Blue(Compressor IN) 5K	21.80	25.07
69405559	Temperature sensor L=1200, B=3470, XHP2 Green(Water OUT) 5K	21.80	25.07
69405560	Temperature sensor L=1500, B=3470, XHP2 Red(Evaporator temp) 5K	24.70	28.41
69405566	High pressure switch H20PS, OFF 4.4MPa/ON 3.2MPa	34.80	40.02
69405567	Low pressure switch H20PS, OFF 0.02MPa/ON 0.15MPa	34.80	40.02

## CONTROLLER

69405551	Wired controller	205.00	235.75
69405552	Reactor 16A 5mH - 5-9kW	146.00	167.90
69405587	Reactor 18A/20A 5.2mH WR130-1011 - 12kW	229.00	263.35
69405581	Reactor 35/40A 3mH - 17kW	435.00	500.25
69405579	Driver module 66833(9VD330XAB21) - 17kW	2,800.00	3,220.00
69405586	Circuit board 29022(9RS102ZAA21) - 5kW	1,600.00	1,840.00
69405571	Circuit board 29021(SVB172FNPMC) - 9kW	1,950.00	2,242.50
69405574	Circuit board 29020(9KD240XCA21) - 12kW	2,600.00	2,990.00
69405578	Circuit board 29779(9VD330XAB21) - 17kW	550.00	632.50
69405580	Transformer DD48F0681 BYQ47	38.90	44.74

## HEAT EXCHANGER

69101235M	Heat Exchanger 28' Double Coil	2,700.00	3,105.00
122243B	40mm Half Union C/W O Ring Black	10.80	12.42

## ELECTRICAL

69405553	Fan motor RD50HG, DC310V,8P,50W,Class E	345.00	396.75
69405570	Fan Ø440*147	72.50	83.38
69405563	Electronic expansion valve coil PQ-M10012-000198, DC12V, L=2000 - 5-17kW	169.00	194.35
69405562	Electronic expansion valve DPF[T01]1.65C-05 - 5kW	172.00	197.80
69405573	Electronic expansion valve DPF(T01)1.8C-08 - 9kW	203.00	233.45
69405576	Electronic expansion valve DPF(T01)2.2C-01 - 12kW	171.00	196.65
69405513	Electronic expansion valve DPF(T01)2.4C-01 - 17kW	300.67	345.80
69405564	Four-way valve DSF-9-R410A - 5kW	87.00	100.05
69405577	Four-way valve DSF-11-R410A - 12kW	116.00	133.40
69405584	Four-way valve DSF-20-R410A - 17kW	213.00	244.95
69405565	Four-way valve coil L=1200, 250 - 5-12kW	29.00	33.35
69405585	Four-way valve coil L=2000, VHR-3N, AC220V - 17kW	29.00	33.35

## OTHER

69405519	Needle valve R410A	24.50	28.18
69405569	Gas pressure gauge R32 (3-color scale)	72.50	83.38

## BODY PANELS

69201946	Base	123.00	141.45
69201943	Top Panel Pewter	267.00	307.05
69201944	Front Panel Pewter	510.00	586.50
69201945	Corner Panel Pewter	365.00	419.75

# ELECTROHEAT ECO-V INVERTER SIDE VENT 25kW

Product Code: 2782511

Part Number	Product Description		List Price	Price Inc Gst
69405512	Compressor	H420D5VZAAC2(Panasonic) R410A	5,050.00	5,807.50
<b>SWITCH</b>				
69405595	Water flow switch	3/4"connector, flap	78.00	89.70
69405596	Temperature sensor	L=2000, White (Coil 1) 20K,XH-2	11.20	12.88
69405597	Temperature sensor	L=1500, Blue (Water IN) 20K,XH-2	10.50	12.08
69405598	Temperature sensor	L=1200, Yellow (Compressor IN) 20K,XH-2	10.50	12.08
69405599	Temperature sensor	L=1500, Red (Water OUT) 20K,XH-2	10.50	12.08
69405600	Temperature sensor	L=750, Black (Ambient) 15K,XH-2	7.70	8.86
69405601	Temperature sensor	L=1200, Purple (Compressor OUT) 50K,XH-2	12.70	14.61
69405602	Temperature sensor	L=2000, Green(Coil 2) 5K,XH-2	11.20	12.88
69405517	High pressure switch	YK-4.2/3.6	46.30	53.25
69405518	Low pressure switch	YK-0.02/0.15	44.90	51.64
<b>CONTROLLER</b>				
69405592	Wired controller	XKQ-5K-LCD86	246.00	282.90
69405593	Reactor	R2050HSB, 20A/5.0mH	104.00	119.60
69405590	Variable frequency drive module	201-A17004A-0 6HP; 27A	1,800.00	2,070.00
69405591	Circuit board	201-A190 19A	315.00	362.25
69405622	Variable frequency drive module	(R32)	1,800.00	2,070.00
<b>ELECTRICAL</b>				
69405594	Fan motor	YDK-85-6A-2	385.00	442.75
69405621	Fan	Z496-150	75.50	86.83
69405583	Electronic expansion valve	DPF(T01)2.4C-01	243.00	279.45
69405514	Electronic expansion valve coil	PQM10083(PQ-M10012), DC12V, L=2000	133.00	152.95
69405584	Four-way valve	DSF-20-R410A	213.00	244.95
69405516	Four-way valve coil	L=1500, AC220V	40.90	47.04
<b>OTHER</b>				
69405568	Needle valve	R410A		
69405520	Gas pressure gauge	R410a (3-color scale)	116.00	133.40
69405522	Water inlet and outlet connection	PVC, G1-1/2"	41.20	47.38
122243B	Water inlet and outlet connection	40mm Half Union C/W O Ring Black - units made before July 21	10.80	12.42

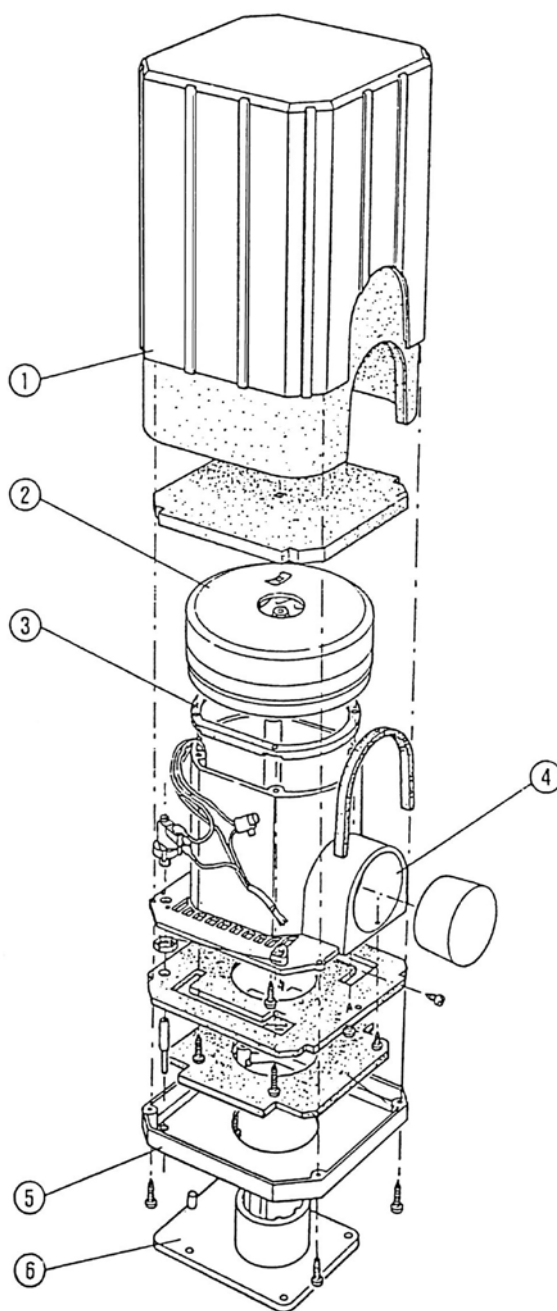
# ELECTROHEAT ECO-V INVERTER TOP VENT 35, 45kW

Product Code: 2783510, 2784510, 2783513, 2784513, 2783113

Part Number	Product Description		List Price	Price Inc Gst
69405612	Compressor	H550D5VZAAC2(Panasonic) - 35kW R410A	3,800.00	4,370.00
69405620	Compressor	H650D5VZAAC2(Panasonic) - 45kW R410A	3,950.00	4,542.50
<b>SWITCH</b>				
69405608	Water flow switch	3/4"connector, flap	46.80	53.82
69405609	Temperature sensor	L=2000, CC.T63, White(Water IN, Water OUT, Compressor IN, Evaporator temp) 5K, XH-2Y	12.70	14.61
69405610	Temperature sensor	L=2000, CC.T62, Purple (Compressor OUT) 50K, XH-2Y	15.40	17.71
69405611	Temperature sensor	L=2000, CC.T97, XHP2 White(Ambient) 5K, XH-2Y	11.60	13.34
69405517	High pressure switch	YK-4.2/3.6	46.30	53.25
69405518	Low pressure switch	YK-0.02/0.15	44.90	51.64
<b>CONTROLLER</b>				
69405605	Wired controller	KLT1368, LCD	180.00	207.00
69405606	Reactor	06-0101165, R20035(AL), I:20A, L:3.5mH - 35kW	83.00	95.45
69405603	Variable frequency drive module	KLT1372, 5-7HP - 35kW	2,900.00	3,335.00
69405604	Circuit board	KLT1370, 5-7HP - 35kW	405.00	465.75
69405619	Reactor	06-0101180, R35188, I:35A, L:1.88mH - 45kW	204.00	234.60
69405617	Variable frequency drive module	KLT13124, 8-10HP - 45kW	4,050.00	4,657.50
69405618	Circuit board	KLT1371, 8-10HP - 45kW	435.00	500.25
<b>ELECTRICAL</b>				
69405607	Fan motor	FKGW01BLQ, 200W	1,100.00	1,265.00
69405616	Fan	Ø560*169	83.00	95.45
69405613	Electronic expansion valve	DPF[TS1]3.2C-01	260.00	299.00
69405563	Electronic expansion valve coil	PQ-M10012-000198, DC12V, L=2000	169.00	194.35
69405614	Four-way valve	STF-0712G	500.00	575.00
69405615	Four-way valve coil	L=1200, 250	27.60	31.74
<b>OTHER</b>				
69405568	Needle valve			
69405520	Gas pressure gauge		116.00	133.40
63402401	Half Union 63mm		19.80	22.77
63402402	UPVC water supply pipe 63mm		22.70	26.11
63402403	UPVC 63-50mm pipe reducer		11.00	12.65

# WHISPER AIR / AIRFLO

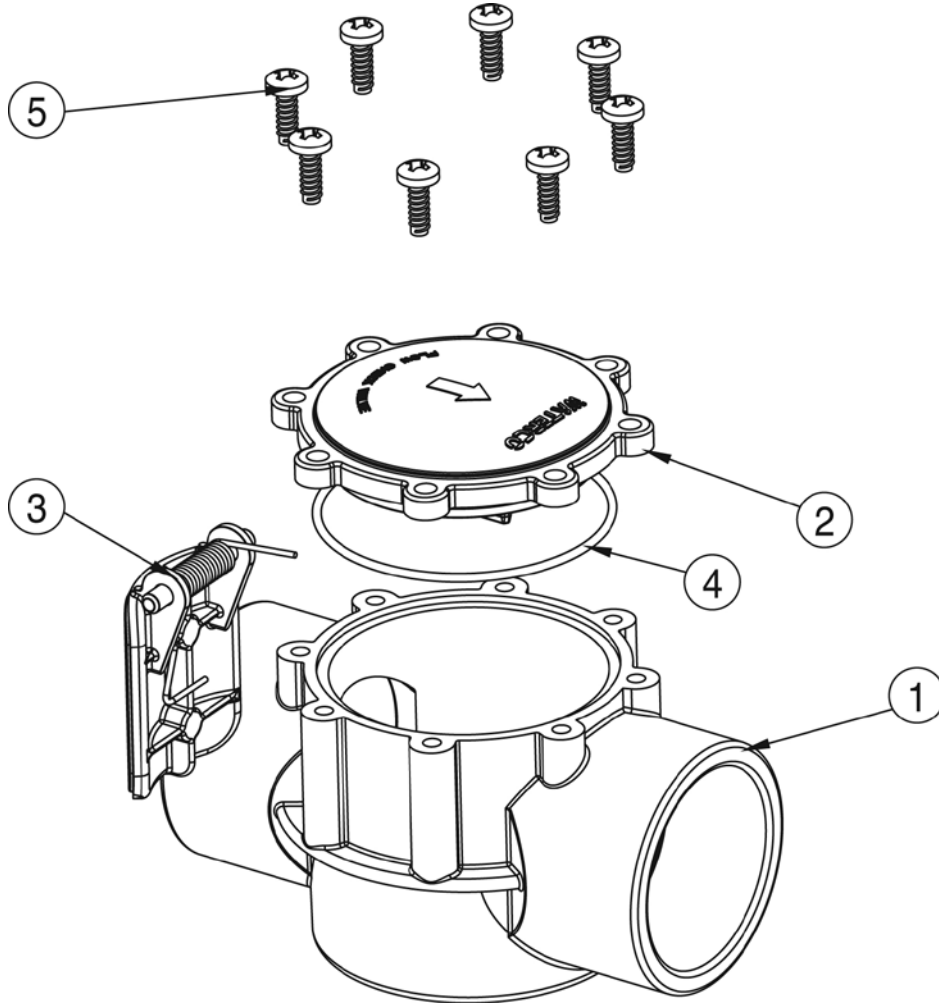
Part Number	Product Description	Diagram Number	List Price	Price Inc Gst
S130501	Blower Outer Housing	1	127.00	146.05
S07267L	Blower Motor 900 Watt	2	710.00	816.50
82440706	Motor Blower Lamb 1200 Watt	2	440.00	506.00
S130551	Blower Motor Mounting Gasket	3	4.40	5.06
S130581	Internal Motor Mount	4	64.00	73.60
S130531	Blower Bottom Cowl	5	74.00	85.10
S130511	Blower Base (Stand)	6	45.30	52.10
S13785	Blower Motor Brushes (Each)		154.00	177.10
S12811	Air Switch Latch		176.00	202.40
82443905	EMI Filter		80.00	92.00
82447106	Gasket Foam Seal Plate		7.00	8.05
82447107	Seal Plate		6.40	7.36
S13108A	Air Tube Assy Nylon 9m		52.50	60.38
455102	Flush Button Plunger White		23.60	27.14



# FLOW CHECK VALVE

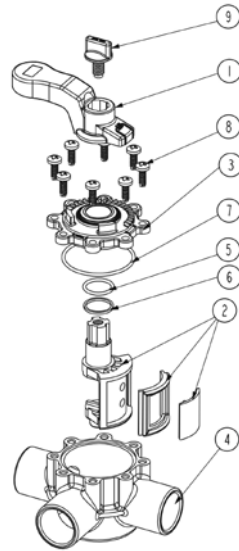
(For product codes 14641, 146419, 14651 & 146519)

Part Number	Product Description	Diagram Number	List Price	Price Inc Gst
14876	Lid & Flapper Assembly	2/3/4	53.50	61.53
663393	Waterco 2/3 way valve lid O ring	4	4.30	4.95
663381	Screw TY - B 6.25 x 18.8mm (8 required)	5	1.10	1.27

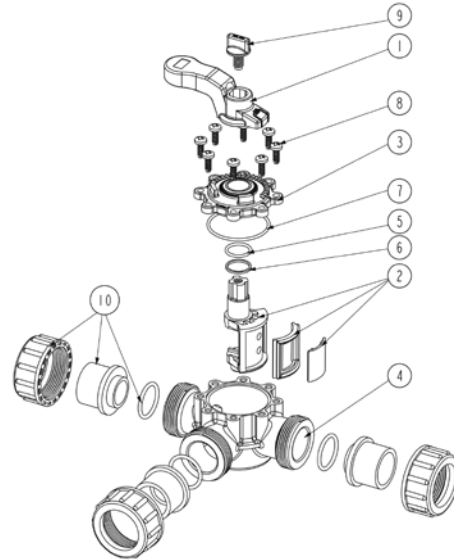


# 2 & 3 WAY VALVES

Part Number	Product Description	Diagram Number	List Price	Price Inc Gst
<b>FPI 2 &amp; 3 WAY VALVES 25/32mm</b>				
(For product codes: 148500, 148502, 148503 & 148505)				
14850	25/32mm 2/3 way valve handle	1	9.20	10.58
148480	Rotor assembly	2	34.20	39.33
14851	Lid	3	8.30	9.55
663366	Axle O'ring - BS118	5	8.00	9.20
66330	2 & 3 way valve O ring set	6	14.00	16.10
644791	Lid O'ring- BS141	7	5.70	6.56
663381	Screw TY-B 6.25x18.8mm (8 required)	8	1.10	1.27
66387	Handle pin lock	9	3.60	4.14
1222252	Half union 25mm black	10	12.50	14.38
644790	O'ring half union 25mm - BS218	10		

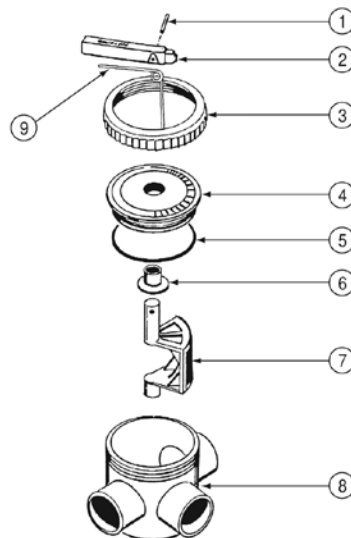


**FPI Valve 25mm Slip Fit**



**FPI Valve 25mm Threaded**

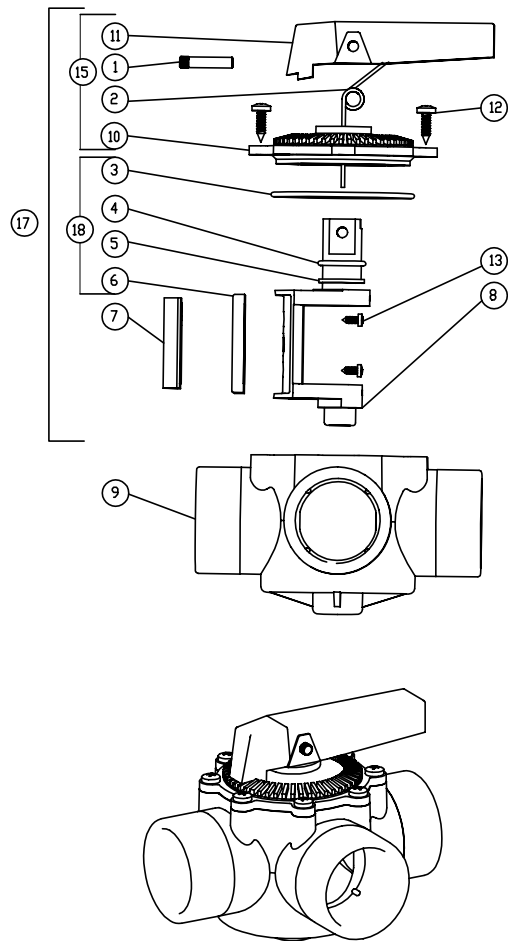
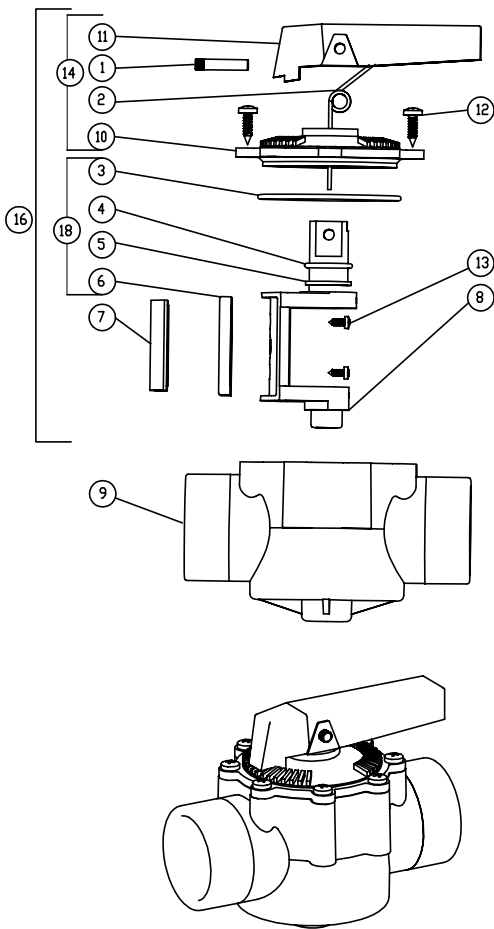
Part Number	Product Description	Diagram Number	List Price	Price Inc Gst
<b>FULFLO 2 &amp; 3 WAY VALVES 40/50mm</b>				
(For product codes 14842/14843)				
14849	2/3 way valve handle (1), pin (2) & spring (9)	1, 2 & 9	10.40	11.96
14848	2/3 way valve spool & diverter seal	7	38.70	44.51
148490	O'Ring Set of 3		22.40	25.76



**Fuflo 40mm Valve**

## 2 & 3 WAY VALVES (continue)

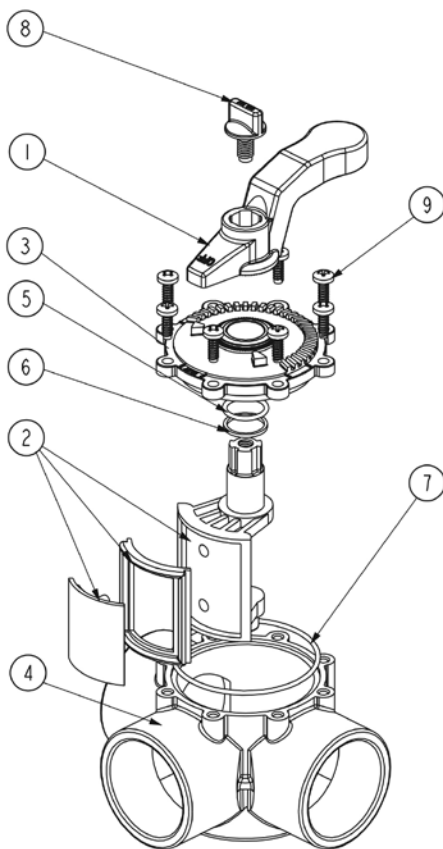
Part Number	Product Description	Diagram Number	List Price	Price Inc Gst
<b>FPI 2 &amp; 3 WAY VALVES 40/50mm</b>				
(For product codes 14852)				
663371	FPI Valve Change Plate with Hole	8		27.78
66327	FPI 3 Way 40/50mm Handle Set	15 consists of 1/2/10/11	27.60	28.87
66329	FPI 3 Way 40/50mm Valve Int Assy	16 consists of 1/2/3/4/5/6/7/8/10/11/12/13	68.00	73.03
66330	FPI 2/3 Way Valve O ring Set	18 consists of 3/4/5/6		15.07
(For product codes 14853)				
663371	FPI Valve Change Plate with Hole	8		
66326	FPI 2 Way Valve Handle Set	14 consists of 1/2/10/11		
66328	FPI 2 Way Valve Int Assembly	17 consists of 1/2/3/4/5/6/7/8/10/11/12/13		
66330	FPI 2/3 Way Valve O ring Set	18 consists of 3/4/5/6		



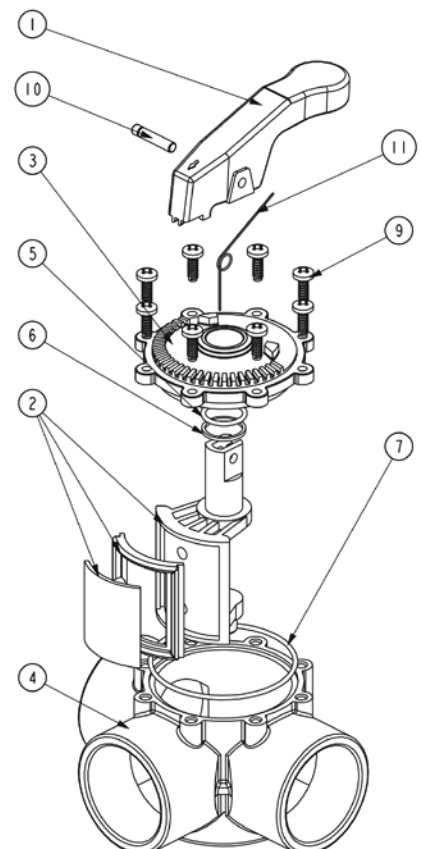
**FPI 2 & 3 Way 40mm Valve**

## 2 & 3 WAY VALVES (continue)

Part Number	Product Description	Diagram Number	List Price	Price Inc Gst
<b>FPI 2 &amp; 3 WAY VALVES 50/65mm</b>				
(For Product Codes: 14856, 14860, 148564 & 148584)				
66381	Non-Actuated handle 50mm 2/3 way valve	1	13.30	15.30
66382	Actuated handle 50/65mm 2/3 way valve	1	12.70	14.61
663383	Rotor assembly 50/65 2/3 way valve (non-actuated)	2	56.50	64.98
663384	Rotor assembly 50/65 2/3 way valve (actuated)	2	65.00	74.75
66385	Lid 360 degree 2/3 way valve	3	13.90	15.99
663366	Axle O'ring - BS118	5	8.00	9.20
663300	50/65mm 2/3 Way Valve O'ring	6	24.20	27.83
663393	Lid O'ring BS152	7	4.30	4.95
66387	Handle pin lock	8	3.60	4.14
663381	Screw TY-B 6.25x18.8mm	9	1.10	1.27
663362	Handle spring	11	10.60	12.19



**FPI Valve 50mm Actuated Slip Fit**

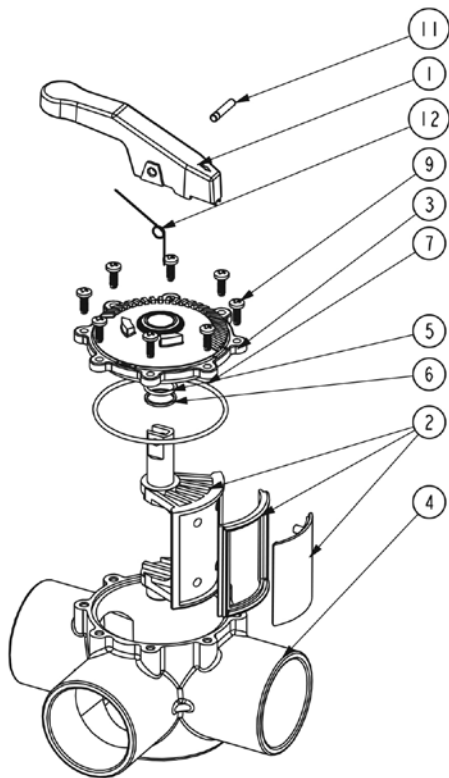


**FPI Valve 50mm Slip Fit**

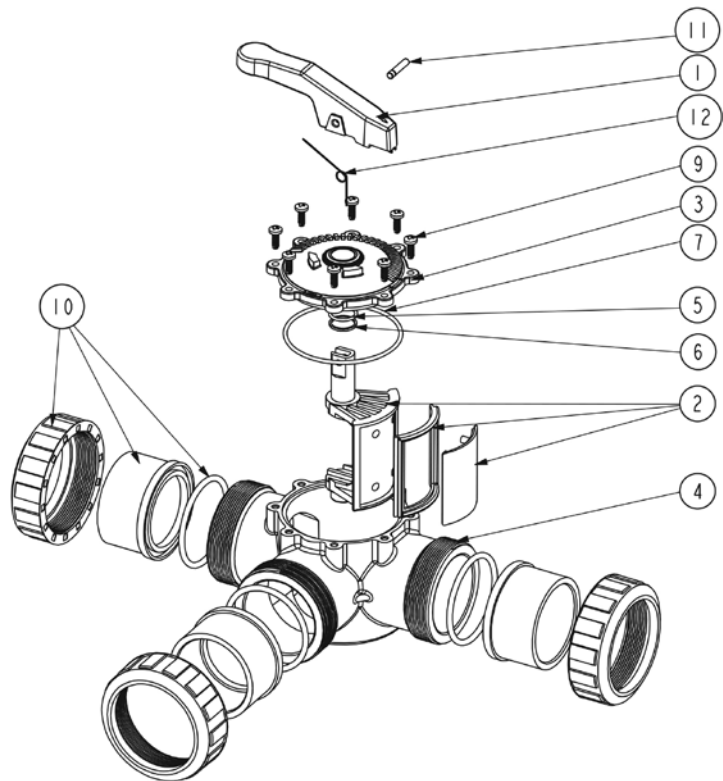


## 2 & 3 WAY VALVES (continue)

Part Number	Product Description	Diagram Number	List Price	Price Inc Gst
<b>FPI 2 &amp; 3 WAY VALVES 65/80mm</b>				
(For Product Codes: 14882, 14883, 14892 & 14893)				
663390	Handle	1	7.80	8.97
663396	Rotor assembly	2	49.90	57.39
663394	Lid 65/80 x 180° 2/3 way valve	3		
663366	Axle O'ring - BS118	5	8.00	9.20
66330	2 & 3 way valve O ring set	6	14.00	16.10
663395	Lid O'ring - BS243	7	4.10	4.72
663381	Screw TY-B 6.25x18.8mm (8 required)	9	1.10	1.27
644492	Half union 65/80mm c/w o'ring	10	31.40	36.11
63406554	O'ring half union 65mm - BS338	10	4.30	4.95
663362	Handle spring	12	10.60	12.19



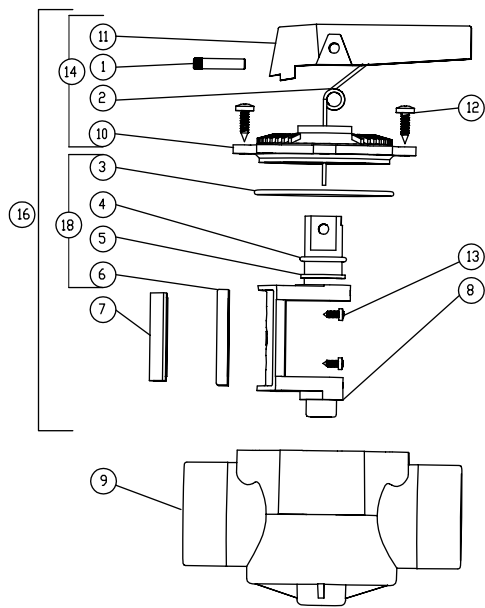
**FPI Valve 65mm Slip Fit**



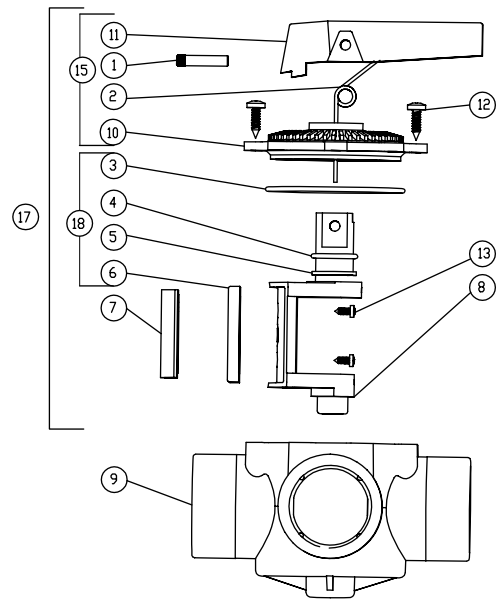
**FPI Valve 65mm Threaded**

# 2 & 3 WAY VALVES (continue)

Part Number	Product Description	Diagram Number	List Price	Price Inc Gst
<b>FPI 2 &amp; 3 WAY VALVE WHITE - PART A</b> (Product Code: 14852)				
<b>FPI 2 &amp; 3 WAY VALVE WHITE - PART B</b> (Product Code: 14853)				
663361	Handle Pin 6x30	1	10.60	12.19
663362	Handle spring	2	10.60	12.19
663365	Lid O'Ring	3		
663366	Axle O'ring - BS118	4	8.00	9.20
663367	Teflon Washer	5	8.00	9.20
663368	Retaining Gasket	6		
663369	Retaining Plate	7		
663371	Change Plate W/Hole	8		
663372	2 Way Body	9		
663373	3 Way Body	9		
663374	2 Way Lid	10		
663375	3 Way Lid	10		
663376	Handle Printed	11		
W32070	Screw #12 3/4" Truss PH SS316	12		
663378	Skmr/FPI Valve Retain Screw #6x3/8	13		
66326	2 Way Valve Handle Set	14	26.90	30.94
66327	3 Way Valve Handle Set	15	27.60	31.74
66328	2 Way Valve Int Assembly	16	68.00	78.20
66329	3 Way Valve Int Assembly	17	68.00	78.20
66330	2/3 Way Valve O'Ring Set	18	14.00	16.10



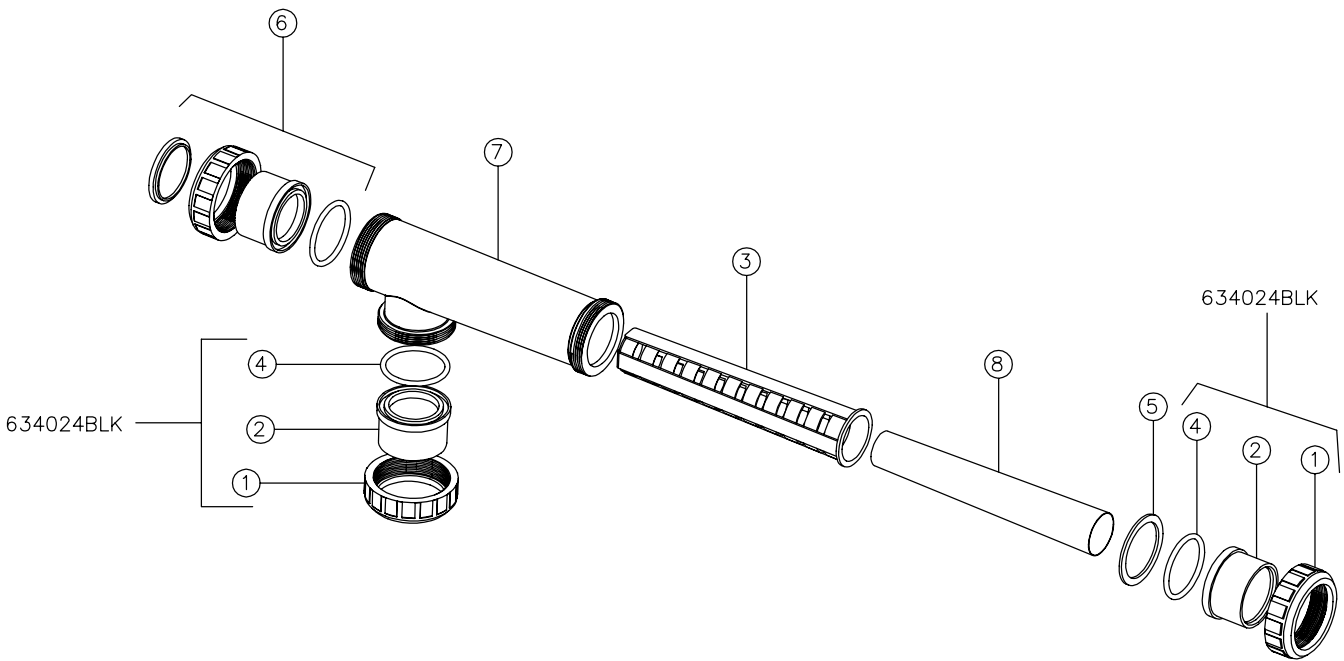
**FPI valve 65mm slip fit**



**FPI valve 65mm threaded**

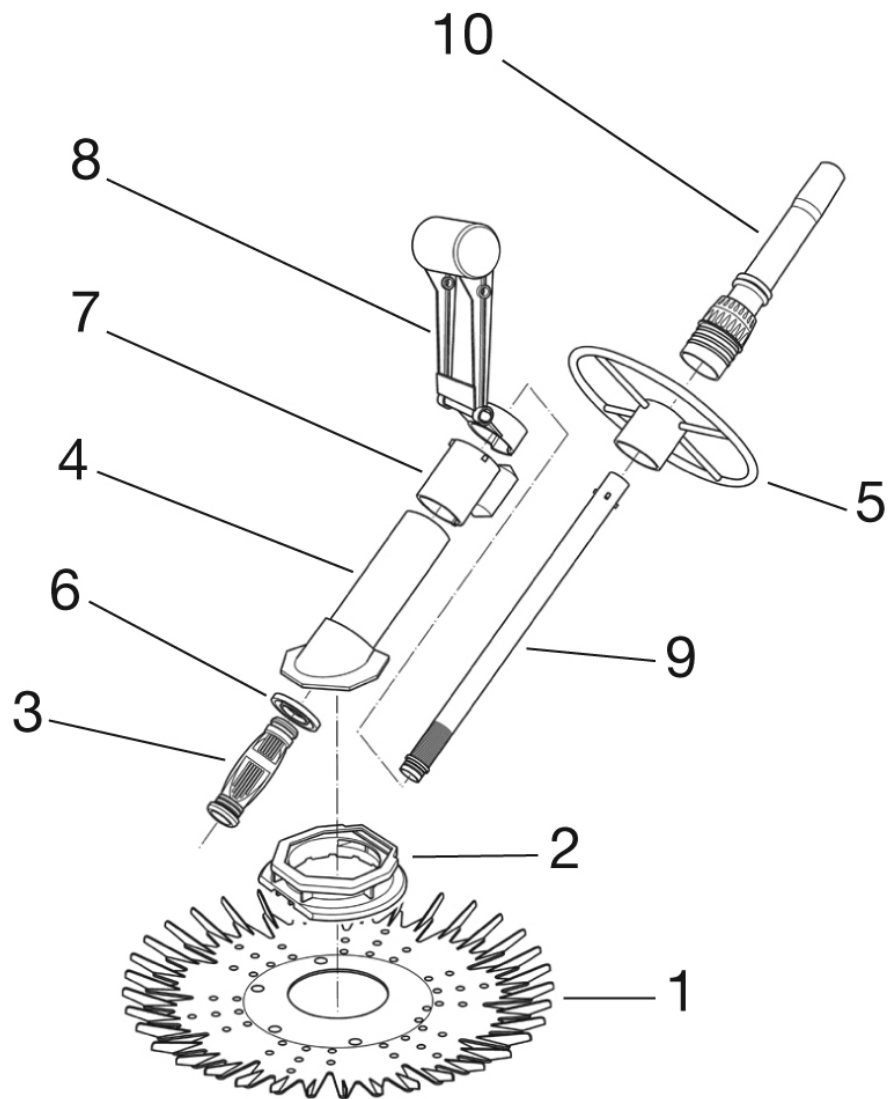
# SOLAR INLINE STRAINER

Part Number	Product Description	Diagram Number	List Price	Price Inc Gst
(For product codes: 634024BLK)				
634024B	Half Union 50mm W/O'Ring (2 required) - Black	1,2&4	25.80	29.67
293041	Main Drain Stem Machined	3		
6340241	Oring 50mm B/U Nitrile	4	5.80	6.67
72511056	Washer Noeprene 75x61x3"	5	9.00	10.35
6449041	Waterchlo Top Housing no hole	6	31.10	35.77
644331	Waterchlor Cell Body	7	145.00	166.75
644881	Wire Mesh Cone 274x39x38	8	63.00	72.45



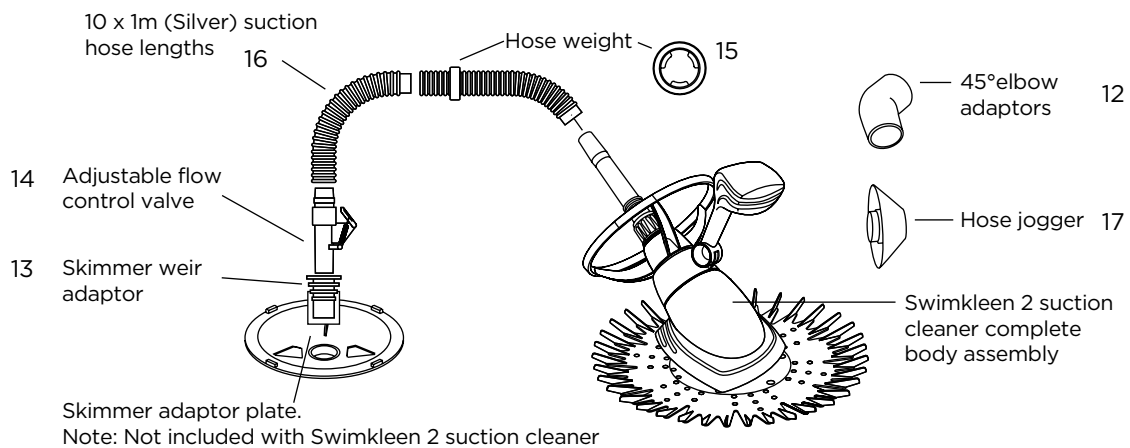
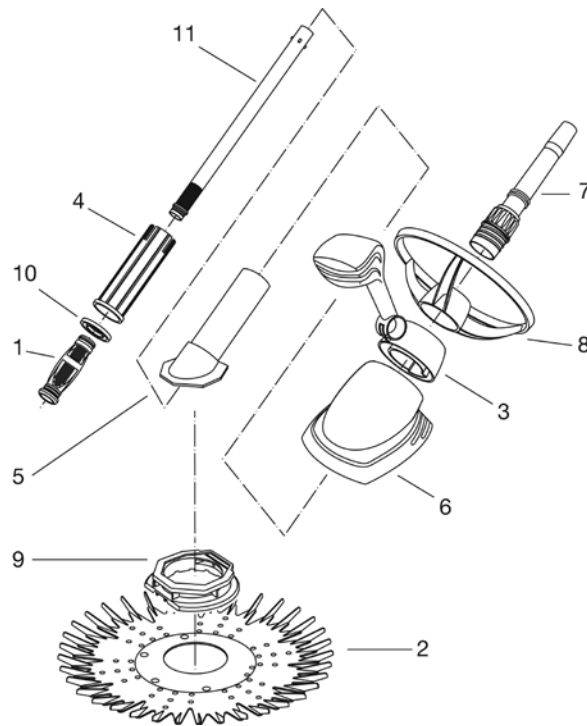
# SWIMKLEEN

Part Number	Product Description	Diagram Number	List Price	Price Inc Gst
50101	36 Finned Disc	1	112.00	128.80
50102	Flexi Foot	2	55.00	63.25
50103	Swimkleen Diaphragm Round	3	27.50	31.63
50104	Swimkleen Main Body Only	4	161.00	185.15
50105	Swimkleen Deflector Wheel	5	36.70	42.21
50122	Swimkleen II Diaphragm Retaining Ring	6	12.20	14.03
50049	Swimkleen Weight Chamber (with weight)	7	108.00	124.20
50051	Swimkleen Float Set	8	49.30	56.70
50123	Swimkleen II Inner Tube	9	27.50	31.63
50053	Swimkleen Outer Tube Assembly	10	55.00	63.25
50100	SwimKleen Blue Suction Hose 1m x 10		140.00	161.00
50106	Swimkleen 45° Elbow	12	16.60	19.09
50107	Skimmer Weir Adaptor	13	53.00	60.95
50108	Swimkleen Control Valve	14	43.90	50.49
50109	Swimkleen Hose Weight	15	30.50	35.08
50121	Hose Jogger	17	24.00	27.60



# SWIMKLEEN 2

Part Number	Product Description	Diagram Number	List Price	Price Inc Gst
50103	Swimkleen Diaphragm Round	1	27.50	31.63
50106	Swimkleen 45° Elbow	12	16.60	19.09
50107	Skimmer Weir Adaptor	13	53.00	60.95
50108	Swimkleen Control Valve	14	43.90	50.49
50109	Swimkleen Hose Weight	15	30.50	35.08
50111	1m x 10 Suction Hose - Silver	16	240.00	276.00
50112	36" Finned Disc MK2	2	111.00	127.65
50113	Float Assembly	3	47.50	54.62
50114	DIA Cartridge	4	24.00	27.60
50115	MK2 Main Body	5	98.50	113.28
50116	Shroud	6	33.80	38.87
50117	Outer Tube Assembly	7	53.00	60.95
50119	Deflector Wheel	8	36.70	42.21
50120	Flexi Foot	9	60.00	69.00
50122	DIA Retaining Ring	10	12.20	14.03
50123	Inner Tube	11	27.50	31.63
50121	Hose Jogger	17	24.00	27.60
50123	Inner Tube		27.50	31.63



# INFLOOR CLEANING SYSTEM

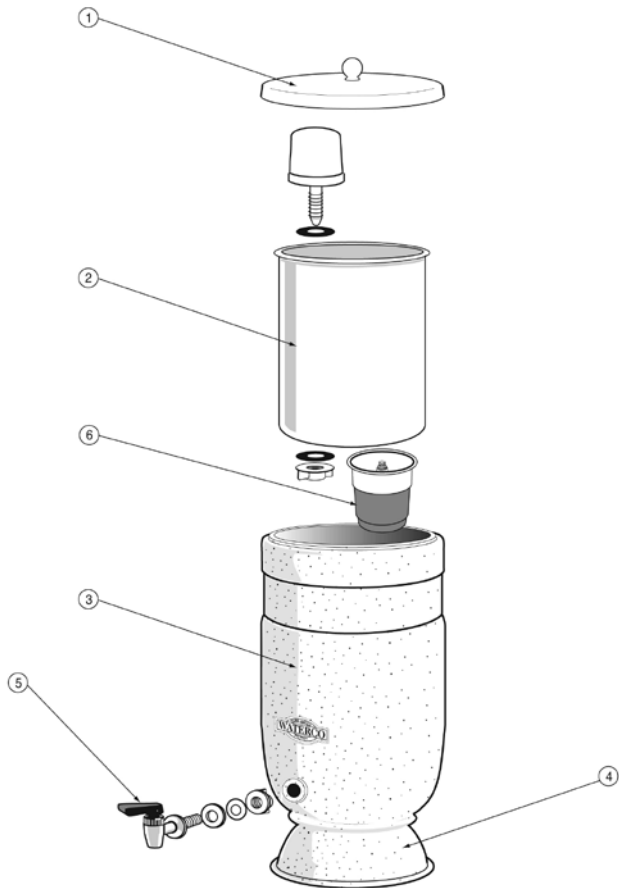
## Blue Square Replacement Parts

Part Number	Product Description	Diagram Number	List Price	Price Inc Gst
<b>Q360 Valve Replacement Parts</b>				
135037	Valve Body		910.00	1,046.50
135008	High-Speed Cassette (standard)		270.00	310.50
135040	Turbine		173.00	198.95
135041	Lid Oring		35.00	40.25
135042	Lid with Oring		155.00	178.25
135043	Band Clamp with nut		121.00	139.15
135044	Wing Nut		18.00	20.70
<b>Performance Jet Replacement</b>				
135071	C99 Performance Jet - White		290.00	333.50
135070	Jet O'ring		11.80	13.57
135049	Pop up Jet Elipse - Blue		288.00	331.20
135050	Pop-up Jet Elipse - Black		288.00	331.20
135051	Pop-up Jet Elipse - Beige		288.00	331.20
135052	Pop-up Jet Elipse - Grey		288.00	331.20
135053	Pop-up Jet Elipse - White		288.00	331.20
135006	Jet Removal Tool		137.00	157.55
<b>Performance Jet Replacement Nozzles</b>				
135058	Nozzle SMALL Grey		10.00	11.50
135059	Nozzle SMALL White		10.00	11.50
135060	Nozzle MEDIUM Grey		10.00	11.50
135061	Nozzle MEDIUM White		10.00	11.50
135062	Nozzle LARGE Grey		10.00	11.50
135063	Nozzle LARGE White		10.00	11.50
135075	Nozzle Insert Xlarge Grey		11.10	12.77
135076	Nozzle Insert Xlarge White		11.10	12.77
<b>Drain Replacement Parts</b>				
135056	Eclipse Ctr Logo Cap GR		78.50	90.28
135057	Eclipse Ctr Logo Cap WT		80.50	92.58
135064	Hydrostat Valve		58.00	66.70
135065	Eclipse Outer Plaster Shield		48.40	55.66
135066	Drain Screw Kit		27.90	32.09
135069	2" Threaded Pressure plug		18.90	21.74

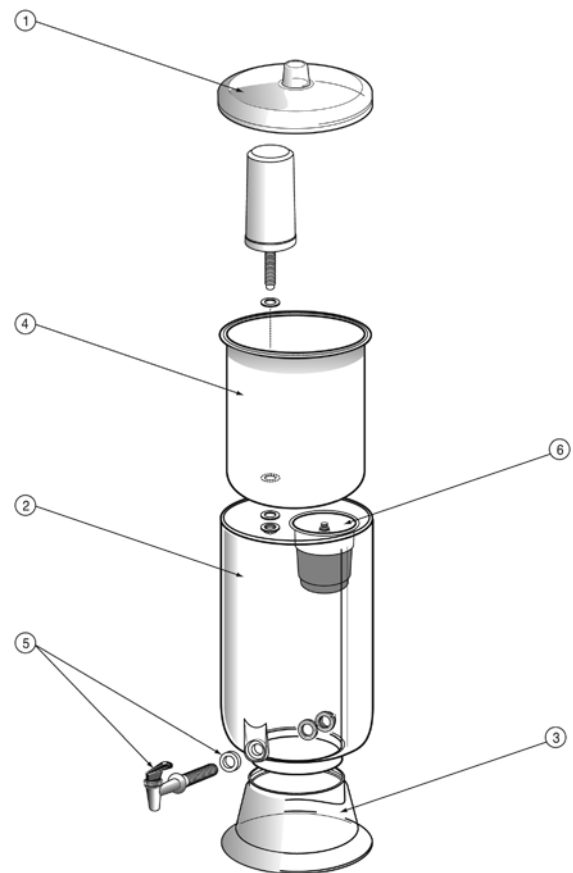
# GRAVITY PURIFIERS

Part Number	Product Description	Diagram Number	List Price	Price Inc Gst
<b>STONEWARE 8lt &amp; 12lt</b>				
7741065	Lid 12 Litre	1	106.00	121.90
77410652	Lid 8 Litre (Post December 1999) (220mm I.D x 230mm O.D)	1	88.50	101.78
7743808	Reservoir (Bucket) 12 Litre	2	67.00	77.05
77438081	Reservoir (Bucket) 8 Litre	2	36.00	41.40
7741066	Body 12 Litre	3	263.00	302.45
77410661	Body 8 Litre	3	226.00	259.90
77410662	Body 8 Litre (Post December 1999)	3	226.00	259.90
7741062	Tap	5	40.80	46.92
<b>PORCELAIN 10lt</b>				
77410654	Lid Porcelain 10 Litre		64.50	74.18
77438084	Bucket Porcelain 10 litre		72.00	82.80
77410664	Body Porcelain 10 litre		189.00	217.35
7741062	Tap		40.80	46.92
<b>CLEARWARE PURIFIER</b>				
77410653	Lid Clearware 6 Litre	1	34.00	39.10
77438083	Bucket Clearware 6 Litre	4	28.70	33.01
7741062	Tap	5	40.80	46.92

**STONEWARE 8lt & 12lt**



**CLEARWARE 6lt**

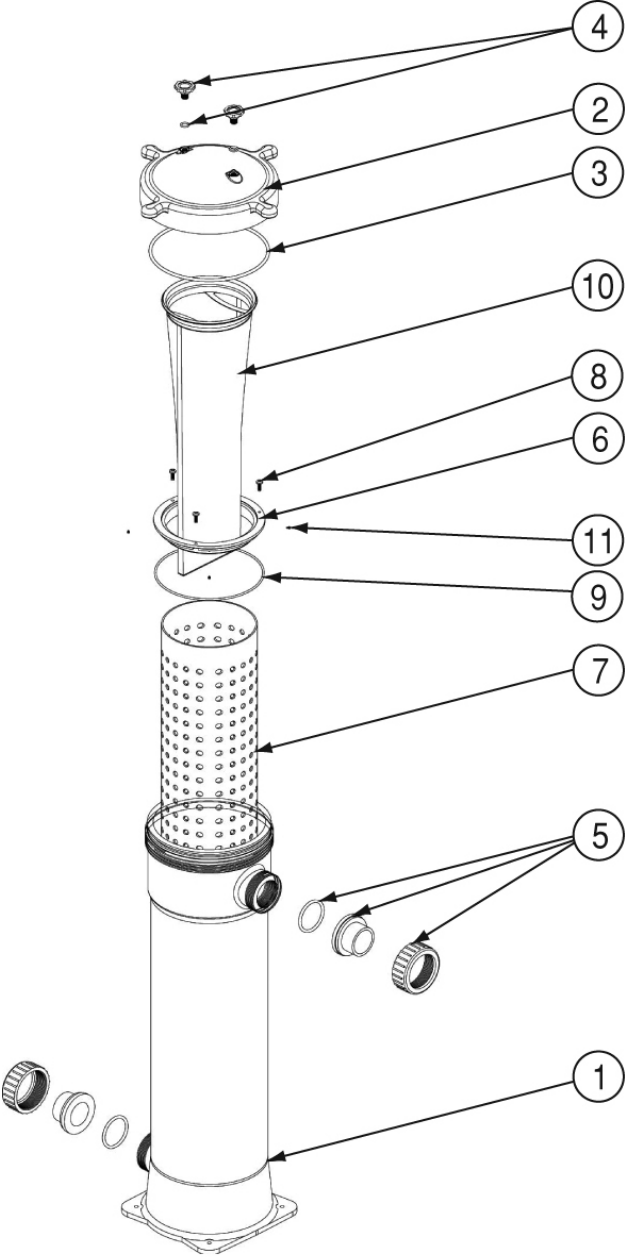


# COMMANDOMATIC TRIMLINE FILTERS

Part Number	Product Description	Diagram Number	List Price	Price Inc Gst
<b>COMMANDOMATIC BAG FILTER (TBF)</b>				
3651931	1 micron filter bag - C50	10	35.70	41.06
36519310	1 micron filter bag - C75	10	47.60	54.74
3651924	5 micron filter bag - C50	10	35.70	41.06
36519240	5 micron filter bag - C75	10	47.60	54.74
3651925	25 micron filter bag - C50	10	35.70	41.06
36519250	25 micron filter bag - C75	10	47.60	54.74
3651926	50 micron filter bag - C50	10	35.70	41.06
36519260	50 micron filter bag - C75	10	47.60	54.74
36519265	800 micron filter bag - C50	10	52.50	60.38
36519266	800 micron filter bag - C75	10	59.50	68.43
<b>C50 - POST 01/2005 C75 - POST 01/2006</b>				
6204417	Trimline Bag Housing Lid	2	161.00	185.15
620262	O'Ring G220	3	19.60	22.54
620261	O'Ring G220 - Viton	3	71.00	81.65
620221	Air Release Valve - Black or Grey	4	13.80	15.87
6201931	Air Release O'ring - Black or Grey - Viton	4	5.70	6.56
122257BLK	Half Union Trimline 50/40mm Black (2 required)	5	26.20	30.13
6340241	O'Ring BS332 Half Union 50mm	5	5.80	6.67
620342	O'Ring BS332 Half Union 50mm - Viton	5	11.20	12.88
3651947	Cage Ring	6	430.00	494.50
3651946	Support Cage Filter Bag C50	7	325.00	373.75
36519460	Trimline Bag Filter C75 Support Cage	7	650.00	747.50
620263	O'Ring BS266	9	8.50	9.78
63814277	Screw M3x6 S/S 316 (4 required)	11	17.00	19.55
621637	Pressure gauge Bottom Mount 800kPa	n/s	50.40	58.00
36519450	Filter Bag Cage Assembly C50	6-9 & 11	520.00	598.00
<b>C50 - PRE 01/2005 C75 PRE 01/2006</b>				
620221	Air release valve		13.80	15.87
62026	Lid o ring mk3		18.20	20.93
62024	Lock ring		67.50	77.63
62025	Lid c/w o ring MK3		149.00	171.35
621632	Pressure gauge Bottom Mount (oil filled) 400kPa		FALSE	0.00
3651945	Filter Bag Cage Assembly C50		540.00	621.00
<b>COMMANDOMATIC CARBON FILTER (TCF)</b>				
2150253	C25 TCF tank only		620.00	713.00
2150503	C50 TCF tank only		710.00	816.50
2150753	C75 TCF tank only		830.00	954.50
620221	Air release valve		13.80	15.87
62026	Lid o ring M3		18.20	20.93
62024	Lock ring		67.50	77.63
62025	Lid c/w o ring		149.00	171.35
621621	Pressure gauge 100mm Bottom Mount , 600kPa		260.00	299.00



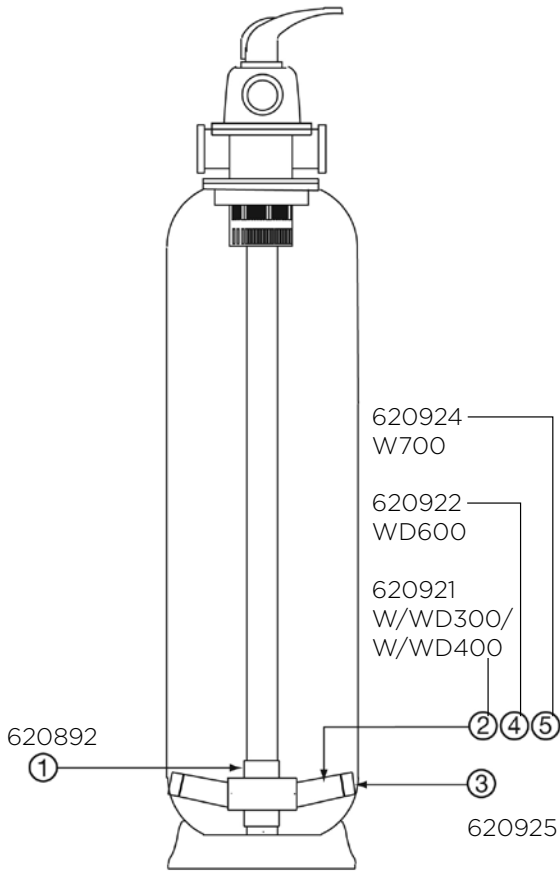
# COMMANDOMATIC TRIMLINE FILTERS (continue)



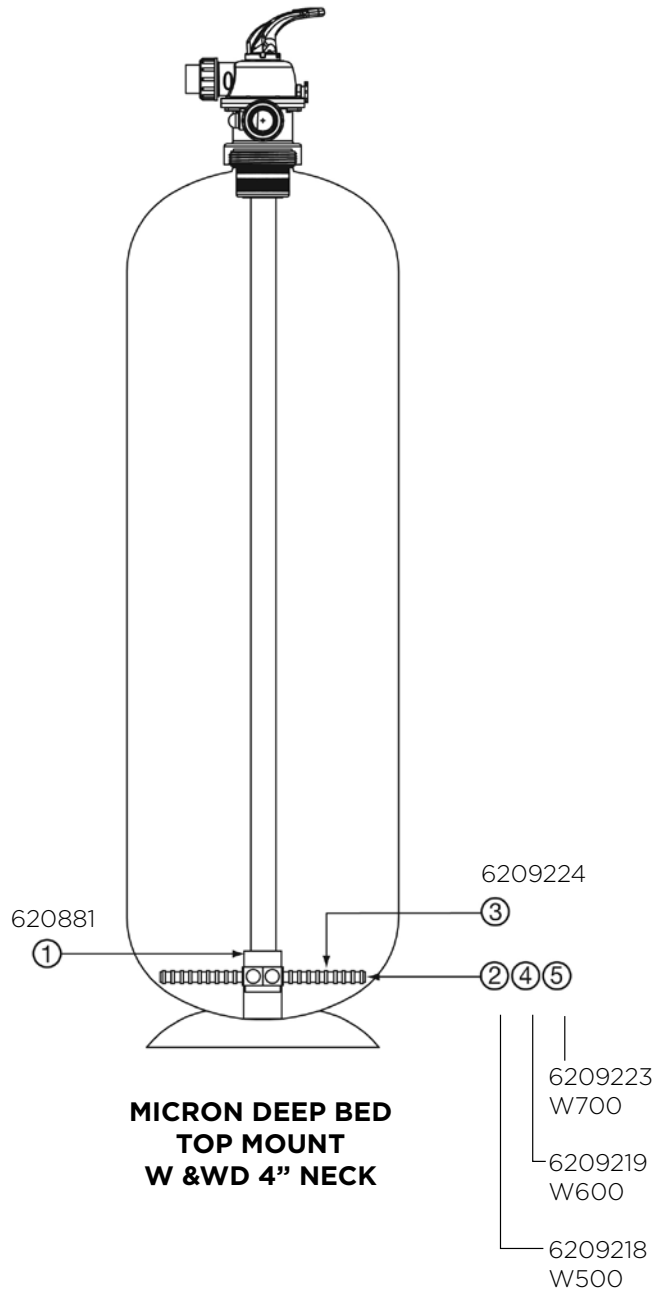
# W & WD SERIES DEEP BED FILTER

Part Number	Product Description	Diagram Number	List Price	Price Inc Gst
2247250	W250 tank & under drain assembly		620.00	713.00
22473571	W350 tank & under drain assembly		740.00	851.00
22474071	W400 tank & under drain assembly		860.00	989.00
22475071	W500 tank & under drain assembly		990.00	1,138.50
22476071	W600 tank & under drain assembly		1,250.00	1,437.50
22477071	W700 tank & under drain assembly		1,850.00	2,127.50
22483071	WD300 tank & under drain assembly		950.00	1,092.50
22484071	WD400 tank & under drain assembly		1,050.00	1,207.50
22485071	WD500 tank & under drain assembly		1,400.00	1,610.00
22486071	WD600 Tank & under drain assembly		1,800.00	2,070.00
22487071	WD700 tank & under drain assembly		2,400.00	2,760.00
22472502	W250Mk2 tank & under drain assembly (suit auto valve)		730.00	839.50
22473011	W300 Premium tank & under drain assembly (no drain)		660.00	759.00
22473012	W300Mk2 tank & under drain assembly (suit auto valve)		770.00	885.50
6209302	Drain Plug 15mm (Assembly)		58.00	66.70
621621	Pressure Gauge 100mm Bottom Mount, 600kPa		260.00	299.00
855172	Adaptor A15 Clack Valve (Auto Valve)		34.90	40.14
<b>OLD 6" FEMALE THREADED NECK</b>				
<b>W300/WD300, W350/WD350, W400/WD400</b>				
620892	1 x 40mm Manifold		95.50	109.83
620921	75mm Laterals (8 required)		9.10	10.47
620925	Lateral End Cap Nut (8 required)		6.10	7.02
<b>W500/WD500</b>				
620892	1 x 40mm Manifold		95.50	109.83
620922	110mm Laterals (8 required)		10.40	11.96
620925	Lateral End Cap Nut (8 required)		6.10	7.02
<b>W600/WD600</b>				
620892	1 x 40mm Manifold		95.50	109.83
620921	75mm Laterals (8 required)		9.10	10.47
620922	110mm Laterals (8 required)		10.40	11.96
620925	Lateral End Cap Nut (8 required)		6.10	7.02
<b>W700/WD700</b>				
620892	1 x 40mm Manifold		95.50	109.83
620924	200mm Laterals (8 required)		17.30	19.90
620925	Lateral End Cap Nut (8 required)		6.10	7.02
<b>W500/WD500 4" Neck Ring</b>				
620881	1 x Manifold Hexagonal		96.00	110.40
6209218	40mm Capped Laterals (6 required)		3.70	4.26
6209224	120mm Open Laterals (6 required) (W02991)		6.40	7.36
<b>W600/WD600 4" Neck Ring</b>				
620881	1 x Manifold Hexagonal		96.00	110.40
6209219	60mm Capped Laterals (6 required)		4.70	5.41
6209224	120mm Open Laterals (6 required) (W02991)		6.40	7.36
<b>W700/WD700 4" Neck Ring</b>				
620881	1 x Manifold Hexagonal		96.00	110.40
6209223	120mm Capped Laterals (6 required) (W02985)		5.20	5.98
6209224	120mm Open Laterals (6 required) (W02991)		6.40	7.36

# W & WD SERIES DEEP BED FILTER (continue)



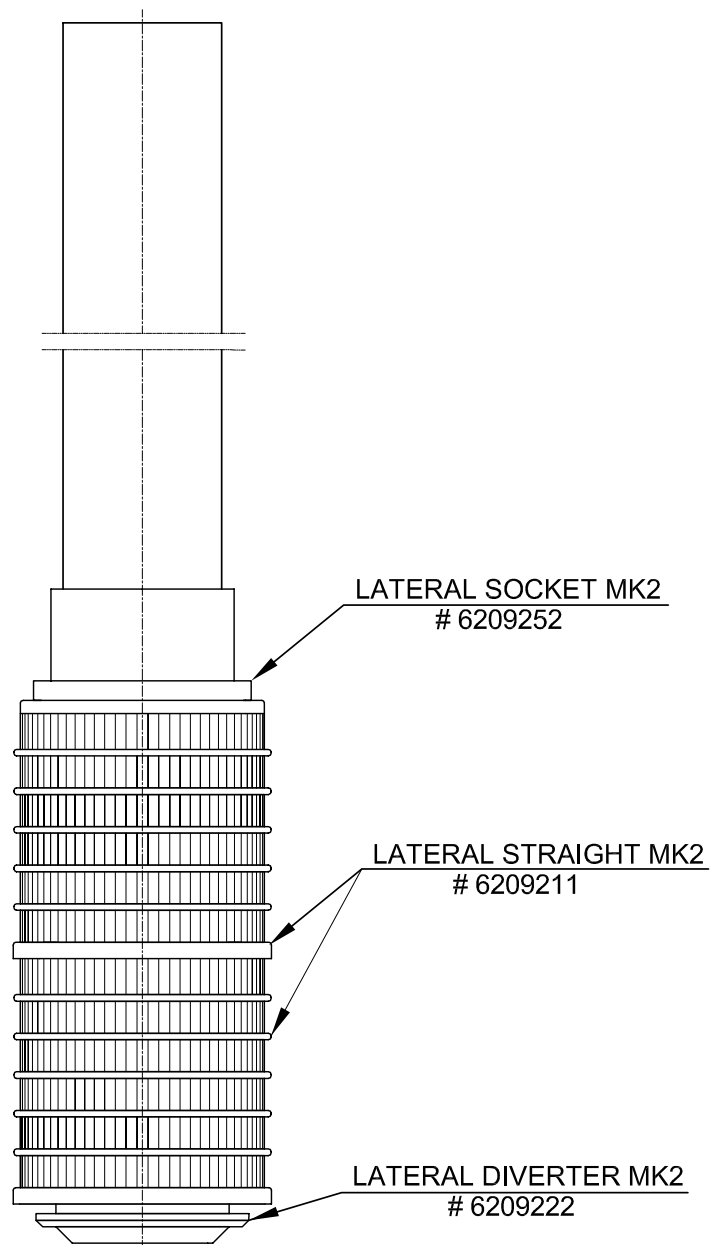
**OLD 6" FEMALE  
THREADED NECK**



**MICRON DEEP BED  
TOP MOUNT  
W & WD 4" NECK**

# UNDERDRAIN ASSEMBLY

Part Number	Product Description	Diagram Number	List Price	Price Inc Gst
6209263	WD350 under drain assembly MK2		56.50	64.98
6209262	WD300 under drain assembly MK2		58.00	66.70
6209261	W350 under drain assembly MK2		47.50	54.63
6209260	W250/W300 MK2 under drain assembly MK2		47.10	54.17

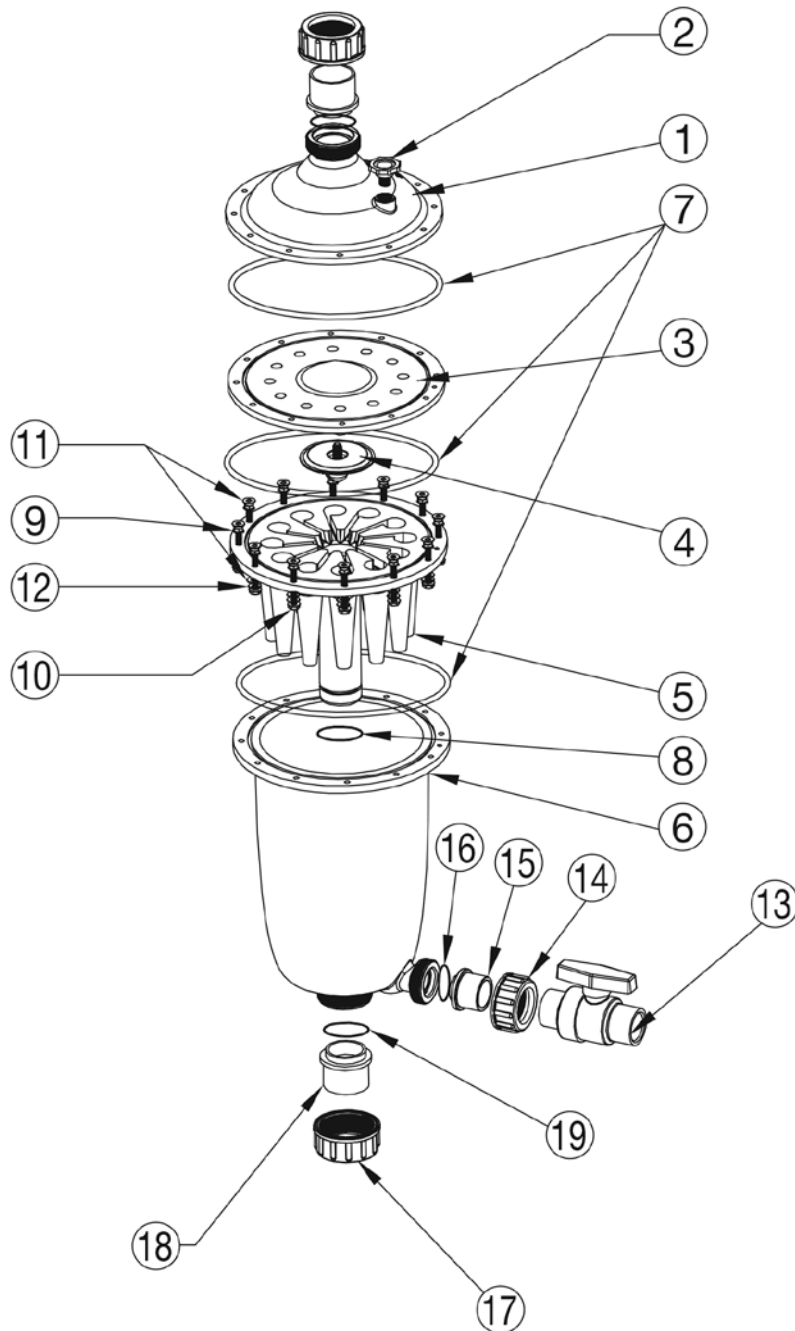


# MULTICYCLONE 40

## (Multicyclone 12 Centrifugal Filter) 200371

Product Code: 200371

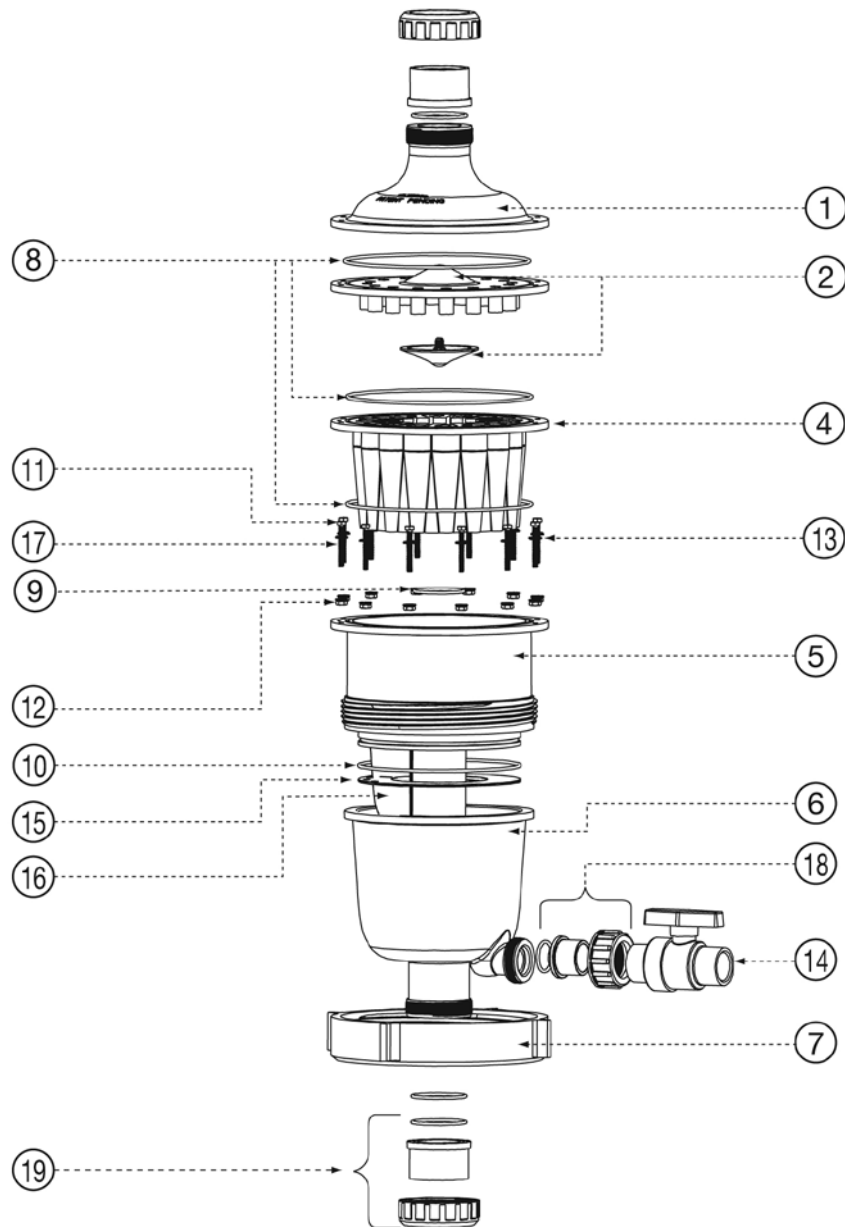
Part Number	Product Description	Diagram Number	List Price	Price Inc Gst
613130	Collector 40mm	1	0.00	
620221	Air Relief Valve	2	13.80	15.87
61318	M/Cyclone Manifold Plate 12 Cyclone/Flow Director 40mm	4	66.00	75.90
61317	Cyclone Body 40mm 12 Cyclone	5	117.00	134.55
61312	Sediment Bowl 40mm	6	385.00	442.75
61308	O'Ring BS268 (3 required)	7	11.20	12.88
S0614511	O' Ring BS224	8	4.30	4.95
6340021	M6X45 Bolt-Nut-Washer Kit (12ea)	9/10/11/12	32.80	37.72
140252	Compact Ball Valve 25mm Black	13	47.50	54.62
122252	Half Union 25mm Black	14/15/16	12.50	14.38
122243B	Half Union 40mm Black	17/18	10.80	12.42
6201931	Viton Air Release O Ring	n/s	5.70	6.56
1125156	Black Pipe CL15 25MM X 300MM		16.20	18.63
1213252	Elbow 90 Deg 25mm - Black		2.40	2.76



# MULTICYCLONE 50 (Multicyclone 16 Centrifugal Filter) 200370

Product Code: 200370

Part Number	Product Description	Diagram Number	List Price	Price Inc Gst
613010	M/Cyclone Collector Blank	1	59.50	68.43
61304	Manifold Plate Assy	2	53.50	61.53
61303	M/Cyclone Separator	4	97.50	112.13
61300	Multicyclone Body	5	175.00	201.25
61302	M/Cyclone Sediment Bowl	6	278.00	319.70
62024	Locking Ring 52mm high	7	67.50	77.63
61308	O'Ring BS268	8	11.20	12.88
701226	O'Ring BS228	9	4.90	5.64
61307	O'Ring BS263	10	5.70	6.56
140252	Compact Ball Valve 25mm Black	14	47.50	54.62
61306	M/Cyclone Baffle Ring	15	19.50	22.43
61305	M/Cyclone Partition	16	14.30	16.45
1222252	Half Union 25mm Black	18	12.50	14.38
6340245	Half Union 50mm Black	19	21.70	24.96
6340021	M6X45 bolt-Nut-Washers Kit (12ea)	11/12/13/17	32.80	37.72
1125156	Black Pipe CL15 25MM X 300MM		16.20	18.63
1213252	Elbow 90 Deg 25mm - Black		2.40	2.76

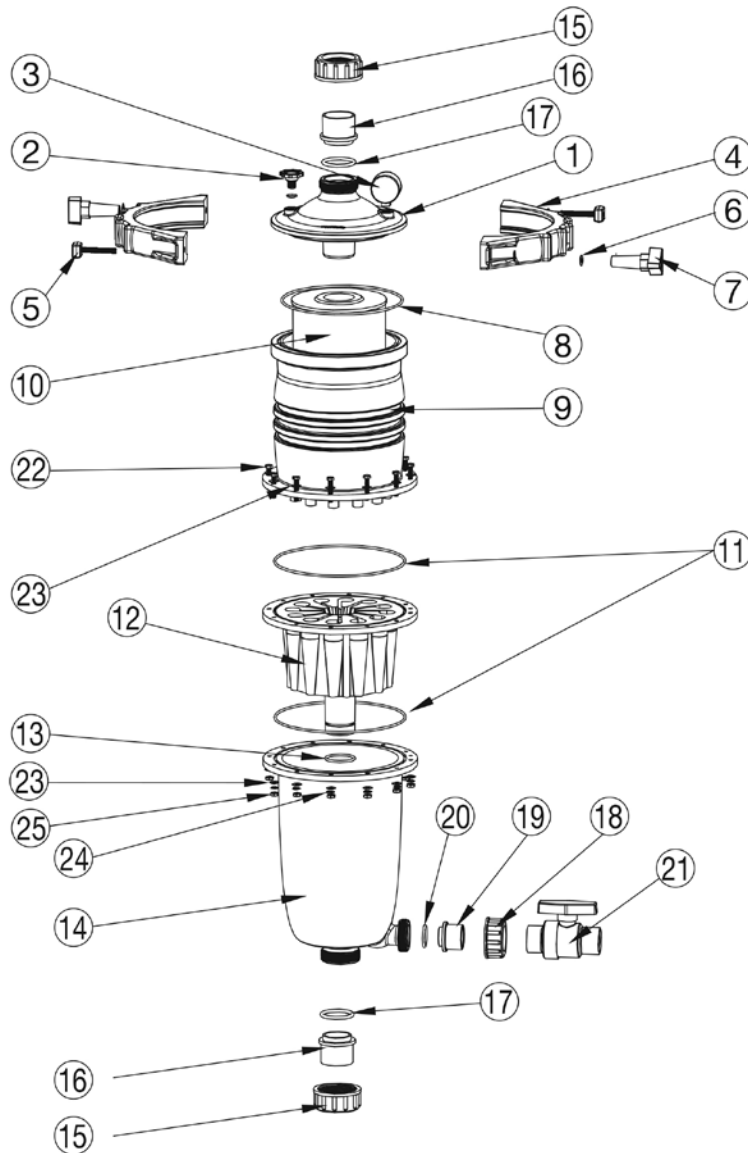


# MULTICYCLONE 12 Plus C40

## (Multicyclone 12 Plus C40 Cartridge)

Product Code: 200376

Part Number	Product Description	Diagram Number	List Price	Price Inc Gst
61314	Collector 40mm (Clamp Type)	1	81.50	93.73
620221	Air Relief Valve	2	13.80	15.87
621625	Pressure Gauge Dry Bottom Mount 400kPa	3	50.40	58.00
6220202	Clamp Band 8" (2 required)	4		
622203	Sh Cap Screw M8X60 Overmoulded (2 required)	5	5.80	6.67
	Washer Flat M8 Brass	6		
622195	Knob with M8 Brass Insert (2 required)	7	26.20	30.13
61324	'O' Ring 4 X 200	8	7.10	8.17
61310	Cartridge Housing	9	281.00	323.15
62451	Cartridge Element 40sq ft	10	146.00	167.90
61308	'O' Ring BS268 (2 required)	11	11.20	12.88
61317	Multi Cyclone Body 40mm (12 Cyclones)	12	117.00	134.55
S0614511	'O' Ring BS224	13	4.30	4.95
61312	M/Cyclone Sediment Bowl 40mm	14	385.00	442.75
122243B	Half Union 40mm Black (2 required)	15/16/17	10.80	12.42
122252	Half Union 25mm Black	18/19/20	12.50	14.38
140252	Compact Ball Valve 25 Black	21	47.50	54.62
6201931	Viton Air Release O Ring	n/s	5.70	6.56
6340021	M6X45 bolt-Nut-Washers Kit (12ea)	22/23/24	32.80	37.72
1125156	Black Pipe CL15 25MM X 300MM		16.20	18.63
1213252	Elbow 90 Deg 25mm - Black		2.40	2.76
6220209	Clamp Band Kit	4/5/6/7	140.00	161.00

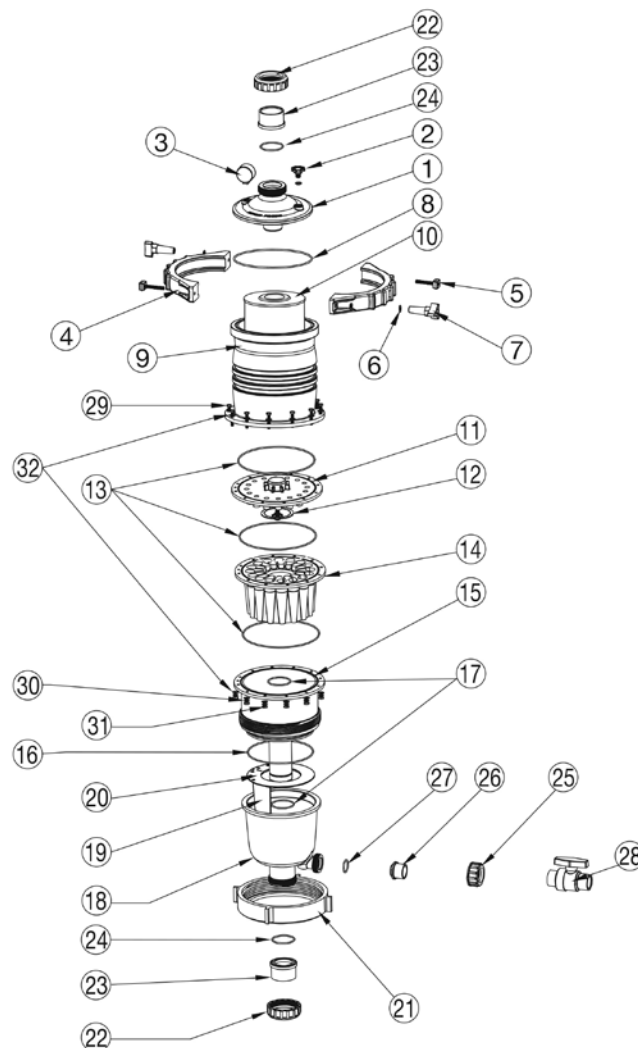


# MULTICYCLONE 16 Plus C40

## (Multicyclone 16 Plus C40 Cartridge)

Product Code: 200377

Part Number	Product Description	Diagram Number	List Price	Price Inc Gst
61315	M/Cyclone Collector 50mm Clamp Type	1	83.50	96.03
620221	Air Relief Valve	2	13.80	15.87
621625	Pressure Gauge Dry Bottom Mount 400kPa	3		
6220202	Clamp Band 8" (2 required)	4		
622203	Sh Cap Screw M8X60 Overmoulded (2 required)	5	5.80	6.67
	Washer Flat M8 Brass	6		
622195	Knob with M8 Brass Insert (2 required)	7	26.20	30.13
61324	'O' Ring 4 X 200	8	7.10	8.17
62451	Cartidge Element 40sq ft	10	146.00	167.90
61319	Manifold Plate Assembly 16C 50mm	11	68.00	78.20
	M/Cyclone Flow Director	12		
61308	'O' Ring BS268 (3 required)	13	11.20	12.88
61303	M/Cyclone Separator	14	97.50	112.13
61300	M/Cyclone Body	15	175.00	201.25
61307	'O' Ring BS263	16	5.70	6.56
701226	'O' Ring Main Drain AS228 (2 required)	17	4.90	5.64
61302	M/Cyclone Sediment Bowl	18	278.00	319.70
61305	M/Cyclone Partition	19	14.30	16.45
61306	Baffle Ring	20	19.50	22.43
62024	Locking Ring 52mm high	21	67.50	77.63
6340245	Half Union 50mm Black	22/23/24	21.70	24.96
1222252	Half Union 25mm Black	25/26	12.50	14.38
644790	'O' Ring BS218	27		
140252	Compact Ball Valve 25 Black	28	47.50	54.62
6340021	M6X45 bolt-Nut-Washers Kit (12ea)	29/30/31/32	32.80	37.72
1125156	Black Pipe CL15 25MM X 300MM		16.20	18.63
1213252	Elbow 90 Deg 25mm - Black		2.40	2.76
6220209	Clamp Band Kit	4/5/6/7	140.00	161.00



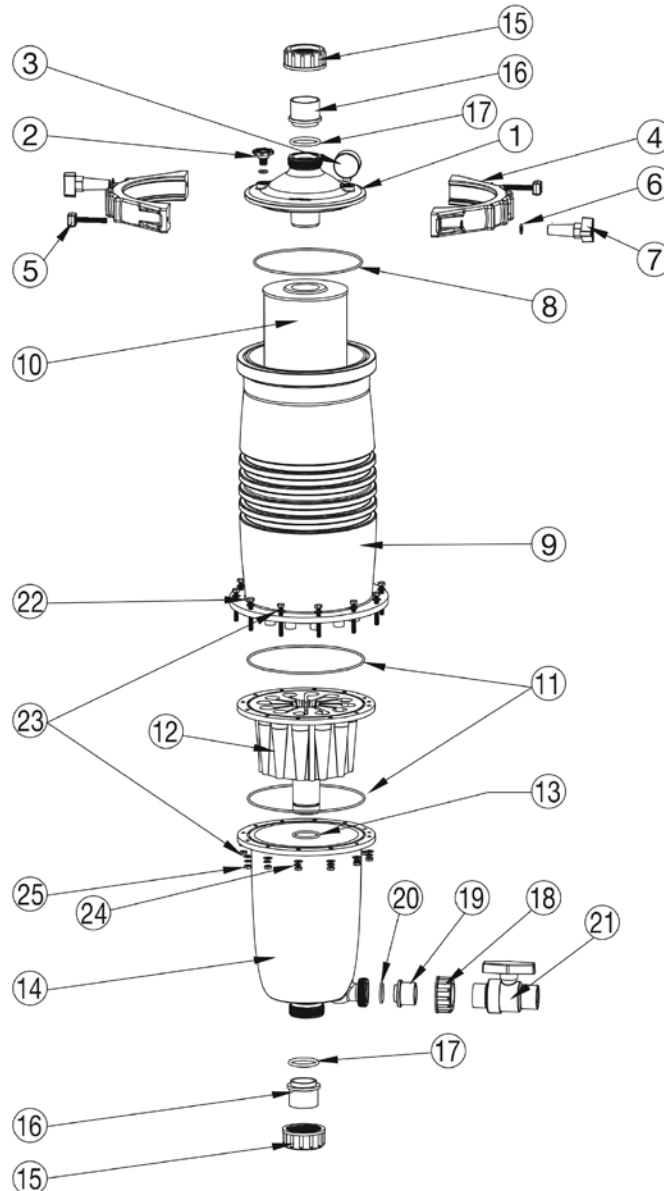


# MULTICYCLONE 12 Ultra C75

## (Multicyclone 12 Ultra C75 Cartridge)

Product Code: 200378

Part Number	Product Description	Diagram Number	List Price	Price Inc Gst
61314	Collector 40mm (Clamp Type)	1	81.50	93.73
620221	Air Relief Valve	2	13.80	15.87
621625	Pressure Gauge Dry Bottom Mount 400kPa	3		
6220202	Clamp Band 8" (2 required)	4		
622203	Sh Cap Screw M8X60 Overmoulded (2 required)	5	5.80	6.67
	Washer Flat M8 Brass	6		
622195	Knob with M8 Brass Insert (2 required)	7	26.20	30.13
61324	O'Ring 4 X 200mm	8	7.10	8.17
61327	Cartridge Housing 75Sq ft 40mm 12 Cyclone	9	370.00	425.50
62453	Cartidge Element 75sq ft	10	207.00	238.05
61308	'O' Ring BS268 (2 required)	11	11.20	12.88
61317	Multi Cyclone Body 40mm (12 Cyclones)	12	117.00	134.55
S0614511	'O' Ring BS224	13	4.30	4.95
61312	M/Cyclone Sediment Bowl 40mm	14	385.00	442.75
122243B	Half Union 40mm Black (2 required)	15/16/17	10.80	12.42
1222252	Half Union 25mm Black	18/19/20	12.50	14.38
140252	Compact Ball Valve 25 Black	21	47.50	54.62
6340021	M6X45 bolt-Nut-Washers Kit (12ea)	22/23/24/25	32.80	37.72
1125156	Black Pipe CL15 25MM X 300MM		16.20	18.63
1213252	Elbow 90 Deg 25mm - Black		2.40	2.76
6220209	Clamp Band Kit	4/5/6/7	140.00	161.00

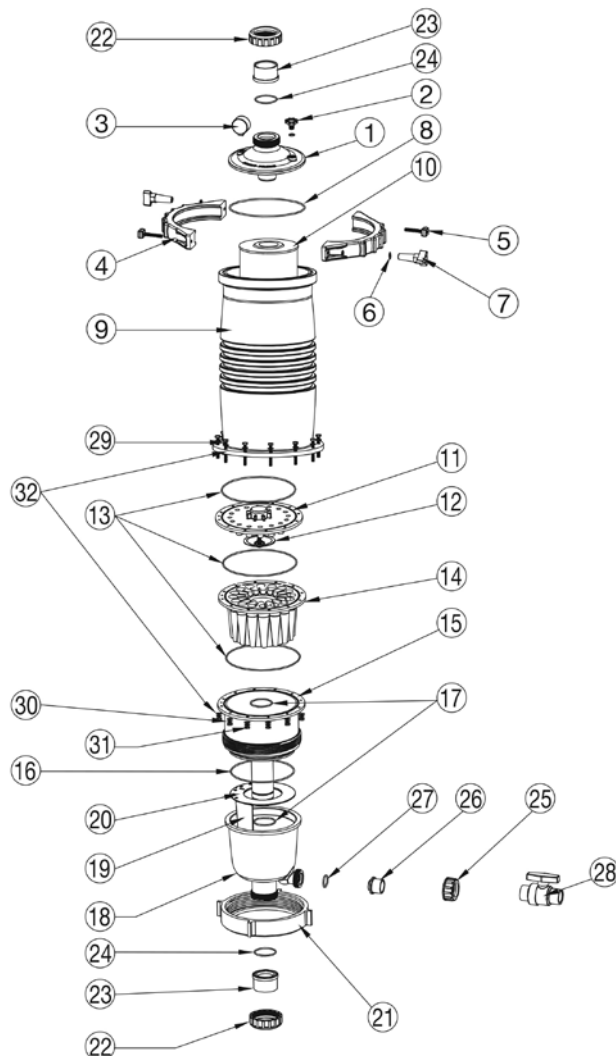


# MULTICYCLONE 16 Ultra C75

## (Multicyclone 16 Ultra C75 Cartridge)

Product Code: 200379

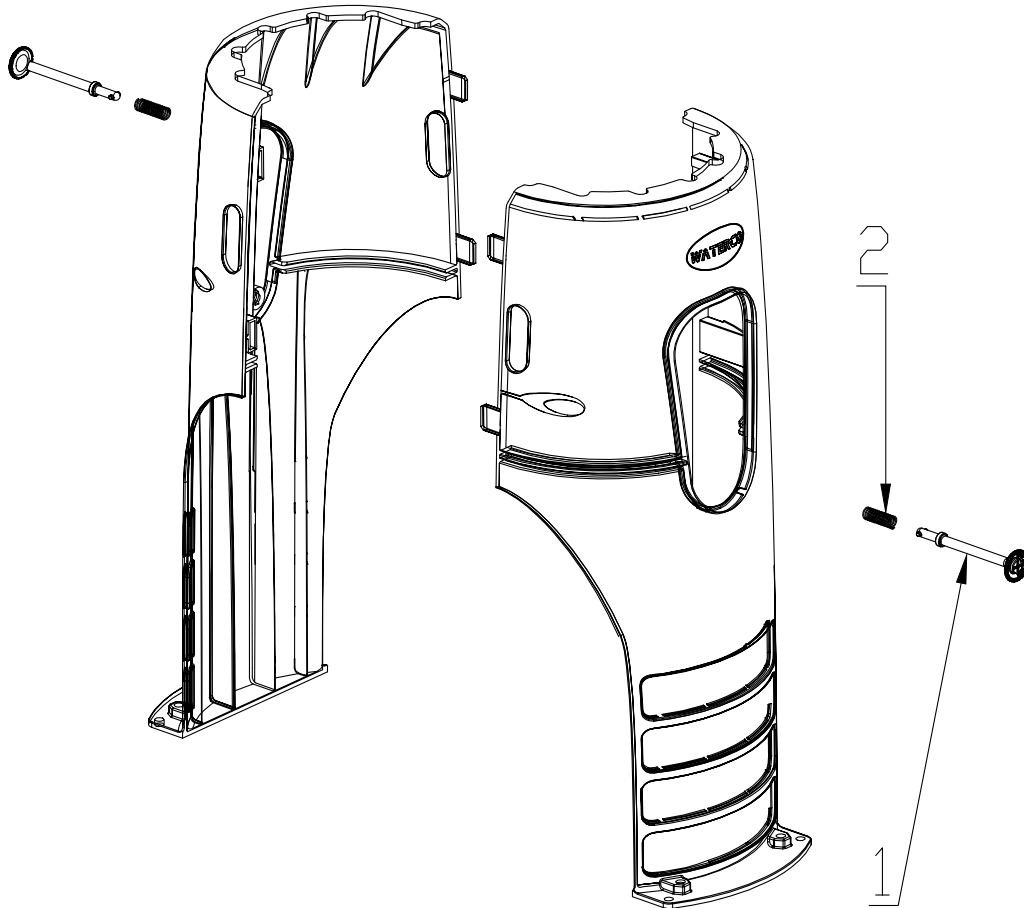
Part Number	Product Description	Diagram Number	List Price	Price Inc Gst
61315	M/Cyclone Collector 50mm Clamp Type	1	83.50	96.03
620221	Air Relief Valve	2	13.80	15.87
621632	Pressure Gauge Liquid Bottom Mount 400kPa	3		
6220202	Clamp Band 8" (2 required)	4		
622203	Cap Screw M8X60 Overmoulded (2 required)	5	5.80	6.67
	Washer Flat M8 Brass	6		
622195	Knob with M8 Brass Insert (2 required)	7	26.20	30.13
61324	O'Ring 4 X 200mm	8	7.10	8.17
61326	Cartridge HSG Ultra 50/75	9	365.00	419.75
62453	Cartridge Element 75sq ft	10	207.00	238.05
61319	Manifold Plate Assembly 16C 50mm c/w flow director	11/12	68.00	78.20
61308	'O' Ring BS268 (3 required)	13	11.20	12.88
61303	M/Cyclone Separator	14	97.50	112.13
61300	M/Cyclone Body	15	175.00	201.25
61307	'O' Ring BS263	16	5.70	6.56
	'O' Ring Main Drain AS228 (2 required)	17		
61302	M/Cyclone Sediment Bowl	18	278.00	319.70
61305	M/Cyclone Partition	19	14.30	16.45
61306	Baffle Ring	20	19.50	22.43
62024	Locking Ring 52mm high	21	67.50	77.63
6340245	Half Union 50mm Black	22/23/24	21.70	24.96
1222252	Half Union 25mm Black	25/26	12.50	14.38
644790	'O' Ring BS218	27		
140252	Compact Ball Valve 25 Black	28	47.50	54.62
645461	1/4" Spring Washer (12 required)	30	1.00	1.15
6340021	M6X45 bolt-Nut-Washers Kit (12ea)	29/30/31/32	32.80	37.72
1125156	Black Pipe CL15 25MM X 300MM		16.20	18.63
1213252	Elbow 90 Deg 25mm - Black		2.40	2.76



# MULTICYCLONE STAND OVER PUMP

Product Code: 2003730

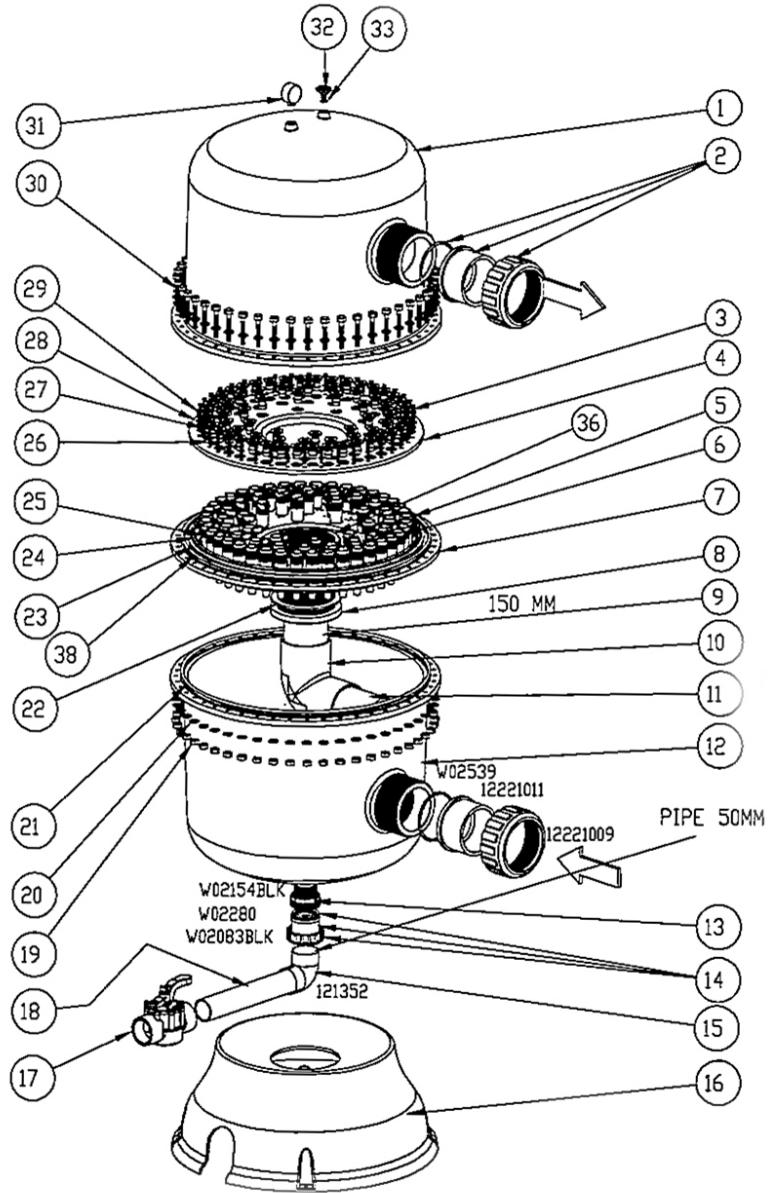
Part Number	Product Description	Diagram Number	List Price	Price Inc Gst
613092	MultiCyclone Quarter Turn Key	1	4.40	5.06
613093	MultiCyclone Turn Key Spring	2	6.10	7.02



# MULTICYCLONE 70XL COMMERCIAL

Product Code: 200391

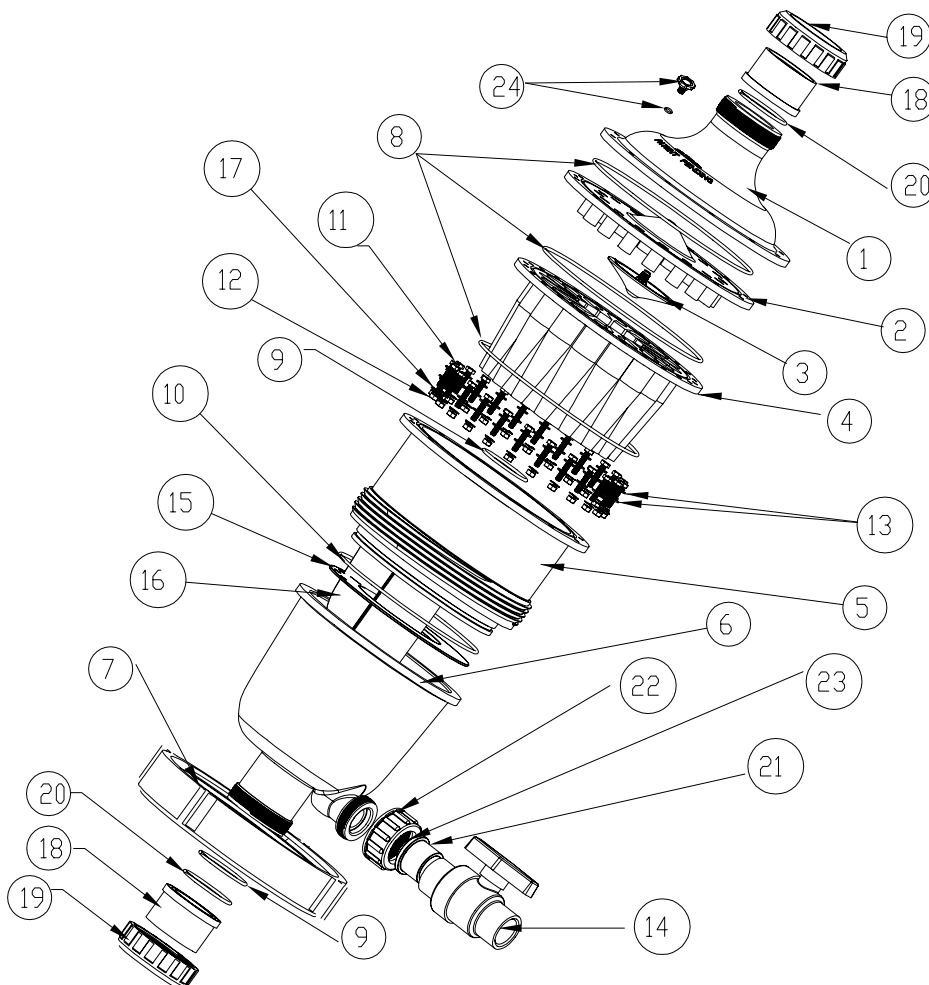
Part Number	Product Description	Diagram Number	List Price	Price Inc Gst
12221006	Bulkhead Locking Nut 100mm - Black	1	23.00	26.45
6340060	H/Nut SS316 M6	2	1.00	1.15
620193	O'Ring BS112		4.30	4.95
620221	Air Release Valve - Black Clear		13.80	15.87
621621	Pressure Gauge		260.00	299.00



# MULTICYCLONE 16 CENTRIFUGAL FILTER 7 BAR BLACK

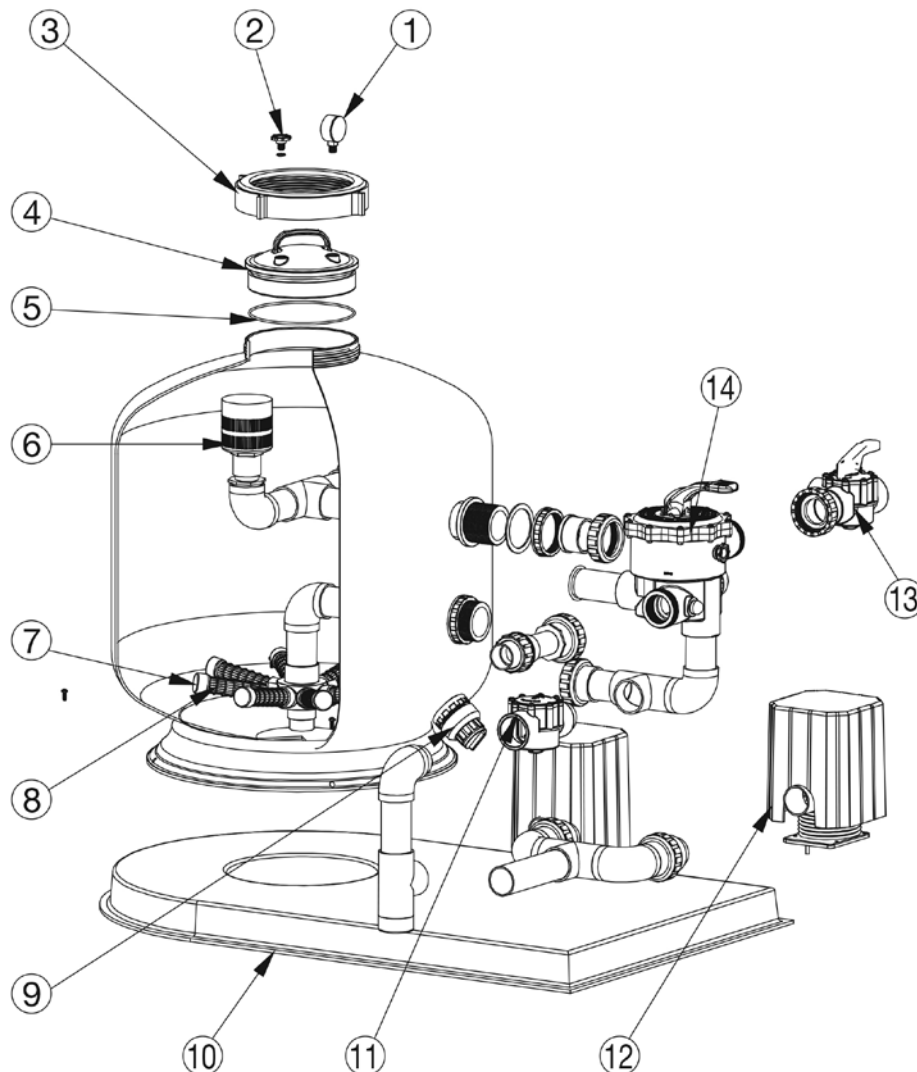
Product Code: 200385

Part Number	Product Description	Diagram Number	List Price	Price Inc Gst
613011	Collector BK24 Hole	1	54.50	62.68
W22399	M/Plate BLK 24 Hole	2		
W22400	Flow Director BLK	3		
613031	Separator BLK 24 Hole	4	81.00	93.15
613001	Body BLK 24 Hole	5	146.00	167.90
61302	Sediment Bowl	6	278.00	319.70
62024BLK	TCF Lock Ring	7	58.50	67.28
61308	O'Ring BS268	8	11.20	12.88
W02469	O'Ring BS228	9		
61307	O'Ring BS263	10	5.70	6.56
W12984	Bolt SS Hex M6	11		
W22040	Nut SS M6	12		
W12782	Washer Flat SS M6	13		
140252	Compact Ball Valve 25mm	14	47.50	54.62
61306	Baffle Ring	15	19.50	22.43
61305	Partition	16	14.30	16.45
W12783	Spring Washer M6	17		
W02081BLK	B/U P/End Slip/Slip 50mm	18		
W02647BLK	T/L Lock Nut50New BLK	19		
W02280	O'Ring 50mm B/U	20		
1222253	B/U P/End Slip/Slip 25mm	21		
1222256	B/U Lock Nut 25mm	22		
644790	O'Ring BS218	23		
620221	Air Relief Valve New BLK	24	13.80	15.87



# AQUABIOME SKIDS

Part Number	Product Description	Diagram Number	List Price	Price Inc Gst
621632	Pressure gauge - Bottom Mount (oil filled) 400kPa	1		
229042	MPV SM 40mm In/out bottom ports	14	204.00	234.60
6209291	Filter lid 8"	4	115.00	132.25
62026	Lid O-ring 8"	5	18.20	20.93
6209400	Diffuser head 1½" threaded (all size filters)	6	12.00	13.80
620925	Lateral End Cap Nut PP	7	6.10	7.02
620921	Lateral 75mm (for SM400, SM600, SM750, SM900)	8	9.10	10.47
620922	Lateral 110mm (for SM600)	8	10.40	11.96
620923	Lateral 145mm (SM500, SM750)	8	13.80	15.87
620924	Lateral 200mm (SM900)	8	17.30	19.90
22000824	Filter tank only 24" (SM600)		1,500.00	1,725.00
22000830	Filter tank only 30" (SM750)		2,450.00	2,817.50
22000836	Filter tank only 36" (SM900)		3,700.00	4,255.00
6209303	Drain Plug Complete 40mm Black	9		
455569	Skid Base (SM400, SM500)	10	140.00	161.00
620822	Skid Base (SM600)	10	420.00	483.00
620823	Skid Base (SM750, SM900)	10		
14652	2" check valve	11		
282400	Air blower	12	760.00	874.00
14852	FPI 2 way valve 40/50mm	14	76.50	87.98
148561	Multiport valve 2" 2 way valve	14	85.00	97.75
2290421	Multiport valve 1½"c/w plumbing assembly	14	350.00	402.50
229052	MPV SM 50mm In/out bottom ports	14	500.00	575.00
6204149	40mm unions w/clear pipe	15	66.50	76.48
6204150	50mm unions w/clear pipe	15	72.00	82.80



# Warranty Terms & Conditions

**Important note:** The benefits under this warranty are in addition to other legal rights and remedies you may have in relation to Waterco products.

## PLEASE READ

1. These terms and conditions carefully, as failure to comply may affect your legal rights under this warranty; and
2. Any operation instructions carefully before commencing use of any product manufactured by Waterco Limited ("Waterco"). Waterco manufactures quality pool and spa products to the highest standards using the most advanced technology and production procedures available.

## WARRANTY COVER

If a defect occurs in any Waterco product during the warranty period, Waterco will at its discretion, repair the product or replace and install the defective part, free of charge provided that the defect results solely from poor workmanship or materials and subject to these terms and conditions.

Labour is covered by this warranty for a period of 12 months from the date of purchase or installation, within a 25 km (15 miles) radius of an authorised Waterco Service Agent.

The purchaser is responsible for any freight incurred.

Warranties are valid only within the original country of purchase. Our goods come with guarantees that cannot be excluded under the regions Consumer Law. You are entitled to a replacement or refund for a major failure and compensation for any other reasonably foreseeable loss or damage. You are also entitled to have the goods repaired or replaced if goods fail to be of acceptable quality and the failure does not amount to a major failure.

## WARRANTY PERIOD

All products sold by Waterco are covered by a one year warranty. The exceptions to this are the products listed in the schedule (which also specifies relevant warranty periods). All warranty periods commence on the date of purchase by the end user.

The provisions of this warranty are not transferable and are in addition to and not in modification of or subtraction from any applicable statutory warranties, rights or remedies.

## CONDITIONS OF WARRANTY

This warranty only applies where:

1. The products requiring installation have been sold with installation included and have been installed by a licenced plumber, electrician or person who has completed an TAFE accredited course in

swimming pool care and maintenance appropriate to the region or a person with more than 12 months on the job learning or a person supervised by one of these people, in accordance with any written installation instructions provided.

2. The products have been operated in accordance with written instructions supplied by Waterco;
3. The purchaser is able to provide proof of purchase that specifies the date of purchase;
4. The product has been serviced or maintained regularly.
5. Any pump using an electric motor has:
  - Been adequately ventilated to avoid over heating;
  - Not been run on an electrical extension cord; and
  - Been installed in an area that is free from flooding or excessive outside contact with water;
6. Any pump has not been allowed to run dry (as this causes excessive damage to both the pump and motor);
7. Any pool and spa equipment has been used in water:
  - a. With a temperature not exceeding 40 degrees Celsius (104 degrees Fahrenheit);  
  
Note: Pumps domestic & commercial should not exceed 35 degrees Celsius (95 degrees Fahrenheit), excluding Portapac and Delta Hot pumps.
  - b. With a pH range maintained between 7.2 - 7.6;
  - c. That has been chemically balanced in accordance with the Langelier saturation index within a range of -0.2 to +0.2 to ensure that it is not corrosive or scale forming;
  - d. That is not salt water (other than mild saline water conditions which are compatible with swimming pool salt water chlorination systems) - unless otherwise stated by Waterco in both the respective product labels and brochures that it is suitable for seawater applications; and
  - e. That has been regularly treated with a sanitising system using bromine, chlorine, hydrogen peroxide in one of its compound forms, or generated in-situ, in concentrations (doses) recommended by the relative state or territory health departments. (In areas outside of Australia please refer to the local health department recommendations before use);

# Warranty Terms & Conditions

8. Pressure gauges have not been exposed to frosting and freezing conditions and due care has been exercised when attaching them to any Waterco products;
9. Electrical equipment has been adequately protected from salt air environments and from salt water; and
10. Any pump used on a filter does not have a shut-off head that exceeds the pressure rating of the filter installed.

All repairs and replacements shall be carried out by Waterco or its authorised service dealer, unless otherwise authorised in writing by Waterco.

If an authorised service dealer is not available within 25 km (15 miles) of the purchaser's area:

- The purchaser must contact the place of purchase or Waterco for further instructions and;
- The purchaser is responsible for any freight or infield labour costs.

## EXCLUSIONS

This warranty does not cover, and Waterco will not be responsible for, any defect or damage caused or contributed to by:

- (a) installation or use of the product other than in accordance with Waterco's written instructions, any statutory requirements and these terms and conditions;
- (b) use of the product for a purpose other than for which it was designed or sold;
- (c) abuse, misuse, corrosion, internal and external, or normal wear and tear;
- (d) any repairs or modifications whatsoever carried out by any person, other than a Waterco authorised service dealer;
- (e) exposure to water not caused by a defect in the product; and
- (f) transit of the product over which Waterco has no control.
- (g) inadequate ventilation
- (h) cement, pebbles, render or other pool surface finishes blocking the pump's impeller
- (i) insect and/or vermin infestation

Some three phase pumps are not supplied with thermal overload protection. It is the purchaser's responsibility to have this provision installed by appropriately licensed electricians prior to the initial installation of the pump. All electrical work must

comply with any appropriate statutory requirements. Warranty for installation of thermal overload protection is the sole responsibility of the licensed electrical contractor and not Waterco.

## LIMITATIONS OF LIABILITY

To the extent permitted by law Waterco excludes all liability it may have to the purchaser for indirect, special or consequential loss arising from or related to any defect in any Waterco product, or any act or omission of Waterco, including, but not limited to, loss of business, loss of profit, loss of revenue, lost opportunity, inconvenience, and damage to any property other than the Waterco product.

To the extent permitted by law, Waterco excludes all other conditions, guarantees, liabilities or representations that are not expressly set out in this agreement. These terms and conditions do not attempt to exclude, restrict or modify any applicable statutory rights, or any exercise of any statutory rights, or any liability imposed on Waterco by any law (including the Competition and Consumer Act 2010), if to do so would contravene that law or make any part of these terms and conditions void.

To the extent permitted by law, Waterco excludes all conditions and warranties implied into these terms and conditions and limits its liability for breach of any such condition or warranty that it cannot exclude to the greater of (at Waterco's option);

(a) for goods:

- Repairing or replacing those goods; or
- Paying the cost of having those goods repaired or replaced; and

(b) for services:

- Resupplying the services; or
- Paying the cost of having those services resupplied.

## TEST YOUR WATER REGULARLY

The chemical balance of the water is a relationship between total alkalinity, pH, Calcium hardness and temperature. Waterco recommends that you have your water tested regularly (once a month) by your local pool professional. A record of testing should always be kept for reference.

Some jurisdictions do not allow the exclusion or limitation of incidental or consequential damages, so any such limitation may not apply.

This warranty gives specific legal rights. The purchaser may have other rights depending on the jurisdiction in which the Waterco product was purchased or the purchaser is located.



# Warranty Terms & Conditions

## SCHEDULE OF PARTS WARRANTY PERIODS

All products sold by Waterco are covered by a one year warranty with the exception of the products listed below.

**Please note:** Labour is covered by this warranty for a period of 12 months from the date of purchase or installation, within a 25 km (15 miles) radius of an authorised Waterco Service Agent.

### Domestic Applications:

Product	Warranty	Pro-Rata Warranty
<b>PUMPS</b>		
Conditions		
• Wet Ends	3 Years	
• Motor, mechanical seal, hair & lint pot lid, “o” ring, basket, impeller & diffuser	2 Years	
<sup>1</sup> Except :		
• <sup>1</sup> Portapac and Delta Spa & Bath Pumps	1 Year	
• <sup>1</sup> Fulflo pressure pump	2 Years	
<b>FILTER</b>		
• <sup>1</sup> Thermoplastic filter tank	5 Years	5 Years (Refer Column A)
• <sup>1</sup> Filament Wound / Exotuf filter tank	10 Years	Not applicable
• <sup>1</sup> Cartridge / Bag filter tank	5 Years	5 Years (Refer Column A)
• <sup>1</sup> DE filter tank	3 Years	2 Years (Refer Column B)
• <sup>1</sup> MultiCyclone 12-16 Plus / Ultra	3 Years	
<sup>1</sup> Except : All internal parts including fittings, valves, gauges, cartridge elements, DE / Pearlite grids.	1 Year	
• All multipoint valves used on media (granular) or DE / Pearlite	1 Year	
<b>CHEMFLO PLUS</b>		
• Controller / Feeder	3 Years	
• Sensor	1 Year	
<b>SALT CHLORINATORS</b>		
• Electrochlor / HydroChlor Chlorinator Cell	3 Years	
• Electrochlor / HydroChlor Chlorinator Power Pack	3 Years	
<sup>1&amp;2</sup> <b>HEAT PUMPS</b>		
<sup>1</sup> Compressor	3 Years	
<sup>2</sup> Titanium Heat Exchanger	10 Years	
All other components	2 Years	
<b>GAS HEATER</b>	2 Years	

# Warranty Terms & Conditions

Product	Warranty	Pro-Rata Warranty
<b>ROBOTIC POOL CLEANERS</b>		
• Admiral	2 Years	
• <sup>1</sup> Trident ECO	2 Years Limited Warranty	
• <sup>1</sup> Trident HYDRO	2 Years Limited Warranty	
• Trident PLUS	3 Years	
• Trident PRO	3 Years	
• <sup>2</sup> Trident PRO+	3 Years	
<sup>1</sup> 2 Year warranty covers the motor unit, cable, and power supply of your Trident robotic pool cleaner and all other parts for a period of 12 months from the date of purchase		
<sup>2</sup> 3 years on all parts except the battery. 2 years on the battery.		
<b>SUCTION CLEANERS</b>		
• <sup>1</sup> Swimkleen 2 Main Body	2 Years	
Includes : Inner tube, outer tube, central body & base, hose weight, 45° elbows, weir adaptor & flow control valve.		
• <sup>2</sup> Swimkleen 2 1 Metre Cleaner Hose	2 Years	
Includes : Unravelling & cuff detaching from hose		
• <sup>3</sup> Swimkleen 2 Components	1 Year	
Includes : Flexifoot, 36 finned disk, deflector wheel, diaphragm & float arm pivot.		
<sup>1,2&amp;3</sup> Refer to the Swimkleen 2 Installation, Operation Instructions & Warranty Booklet that was supplied with the cleaner for all warranty exemptions		
• <sup>1</sup> Swimkleen NAV V-Flex	3 Years	
<sup>1</sup> Refer to the Swimkleen NAV Installation, owner's manual that was supplied with the cleaner for all warranty standards and conditions		
• <sup>1</sup> Swimkleen ATV	4 Years (plus 3 years pro rata)	
<sup>1</sup> Refer to the Swimkleen ATV Installation, owner's manual that was supplied with the cleaner for all warranty, pro rata warranty standards and conditions		
<b>POOL LIGHTS &amp; ACCESSORIES</b>		
• Britestream LED Pool Lights	2 Years	
• Litestream LED Pool Lights	1 Year	
• Pool Light Transformers	1 Year	
<b>INFLOOR POOL CLEANING SYSTEMS</b>		
• Bluesquare Components ONLY (On New Installations)	3 Years	
<b>AUTOMATION PRODUCTS</b>		
• Waterco Controllers	2 Years	
• Waterco Temperature Sensor	1 Year	
• Smart Controllers	3 Years	

# Warranty Terms & Conditions

## Commercial Applications:

All products installed in a commercial application are covered by a one year warranty except commercial filament wound tanks and commercial pumps.

**Please note:** Labour is covered by this warranty for a period of 12 months from the date of purchase or installation, within a 25 km (15 miles) radius of an authorised Waterco Service Agent.

Product	Warranty	Pro-Rata Warranty
<b>PUMPS</b>		
<b>Conditions</b>		
• Wet Ends	2 Years	
• Hair & lint pot lid, "o" ring, basket, impeller & diffuser	2 Years	
• Motor mechanical seal & capacitor	1 Year	
• <sup>1</sup> Commercial Filament Wound Tanks	5 Years	5 Years
<sup>1</sup> Except : All internal parts including fittings, valves, gauges & media.	1 Year	

## HOW OUR PRO-RATA WARRANTY OPERATES:

If a purchaser makes a claim under this Warranty during any pro-rata Warranty Period, Waterco will, at its discretion, replace any defective product, material or part, provided that the purchaser contributes to a percentage of Waterco's list price. The purchaser is responsible for any labour and freight costs. The following table sets out the percentage payable by the purchaser for any products, materials and parts in the relevant warranty year (where year 1 is the first year after purchase):

YEAR	A	B
	5 years warranty +5 years pro rata warranty	3 years warranty +2 years pro rata warranty
1	0	0
2	0	0
3	0	0
4	0	60
5	0	80
6	50	N/A
7	60	N/A
8	70	N/A
9	80	N/A
10	90	N/A

# Warranty Terms & Conditions

## COMMERCIAL PRO-RATA WARRANTY

YEAR	5 Year + 5 Year Pro Rata	YEAR	5 Year + 5 Year Pro Rata
1	0%	6	50%
2	0%	7	60%
3	0%	8	70%
4	0%	9	80%
5	0%	10	90%


## SUMMARY OF WARRANTY LIMITATIONS

The provisions of this warranty are not transferable from the original purchaser and are in addition to and not in modification of or subtraction from any applicable statutory warranties, rights or remedies.

Labour is covered by this warranty for a period of 12 months from the date of purchase or installation, within a 25 km (15 miles) radius of an authorised Waterco Service Agent.

Spare parts used in the repair of products are covered by a 12 month warranty and are not covered by the original warranty from date of purchase or installation.

The purchaser is responsible for any freight incurred.

The background of the page is a close-up, high-angle shot of water ripples. The water is a clear, light blue color, and the ripples create a complex, organic pattern of light and shadow. The lighting is bright, creating a shimmering effect on the water's surface. The ripples are most prominent on the right side of the image, where they form a dense, swirling pattern that tapers off towards the left.

**WATERCO (NZ) LIMITED**

7 INDUSTRY ROAD, PENROSE 1061, AUCKLAND, NEW ZEALAND.  
TEL: +64 9 525 7570    FAX: +64 9 525 6580

[www.waterco.co.nz](http://www.waterco.co.nz)